



# OPERATOR'S MANUAL WHEEL TRIMMER

## WT-1610T

### **WARNING**



*Read and understand all provided literature before use.  
Failure to do so could result in serious injury.*

### **WARNING**

*Cancer and Reproductive Harm  
[www.P65Warnings.ca.gov](http://www.P65Warnings.ca.gov)*

# Before You Begin

---

## DEAR ECHO® CUSTOMER

Thank you for purchasing an ECHO product. The ECHO line is designed, tested, and manufactured to give years of dependable performance. To keep your machine operating at peak efficiency, it is necessary to adjust it correctly and make regular inspections. The following pages will assist you in the operation and maintenance of your machine. Please read and understand this manual before operating your machine.

## ECHO Consumer Product Support

If you require assistance or have questions concerning the application, operation, or maintenance of this product, call the ECHO Consumer Product Support Department at 1-800-432-ECHO (3246) from 8:00 am to 5:00 pm (Central Standard Time) Monday through Friday. Before calling, please know the model and serial number of your unit.

This document is based on information available at the time of its publication. ECHO is continually making improvements and developing new equipment. In doing so, we reserve the right to make changes or add improvements to our product without obligation for equipment previously sold.

## Product Registration

Register your ECHO equipment on-line at [www.echo-usa.com](http://www.echo-usa.com) or by filling out the product registration sheet included in this manual. Registering your product confirms warranty coverage and provides a direct link to ECHO if we find it necessary to contact you.

---

## SERVICE

Service of this product during the warranty period must be performed by an Authorized ECHO Service Dealer. For the name and address of the Authorized ECHO Service Dealer nearest you, ask your retailer or call: 1-800-432-ECHO (3246). Dealer information is also available on our Web Site [www.echo-usa.com](http://www.echo-usa.com). When presenting your unit for Warranty service/repairs, proof of purchase is required.

## FOR ENGINE SERVICE OR PARTS

For engine service or parts, contact your nearest authorized engine dealer. ECHO does not handle any parts, repairs or warranties for engines.

---

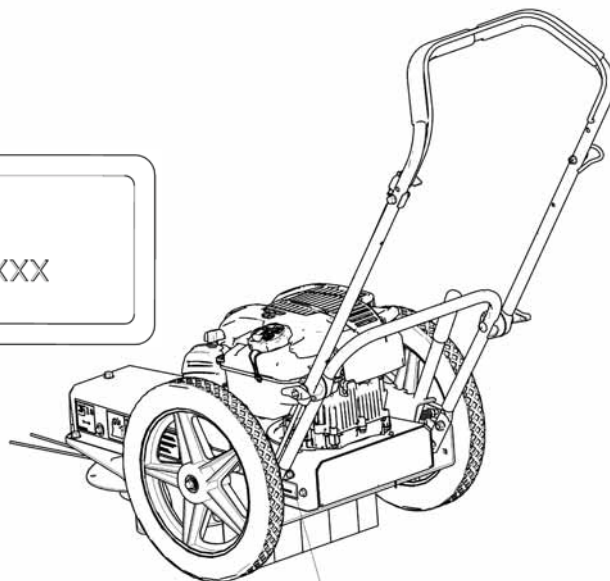
## PARTS/SERIAL NUMBER

Genuine ECHO Parts and Assemblies for your ECHO products are available only from an Authorized ECHO Dealer. When you do need to buy parts always have the Model Number and Serial Number of the unit with you. For future reference write them in the space provided below.

Model No. \_\_\_\_\_

Serial No. \_\_\_\_\_

ECHO INCORPORATED  
MODEL NUMBER: WT-1610T  
SERIAL NUMBER: 110WTBXXXXXX  
MANUFACTURED IN U.S.A.



Serial Number Location

---

## ADDITIONAL LITERATURE

In addition to finding information online, information is available from your Authorized ECHO Service Dealer, or by contacting ECHO Inc.,

400 Oakwood Road, Lake Zurich, IL 60047

1-800-432-ECHO (3246)

**WARRANTY****Limited Warranty Statement**

ECHO Incorporated warrants to the original retail purchaser that this ECHO® brand outdoor product is free from defects in material and workmanship and agrees to repair or replace at ECHO Incorporated's discretion, any defective product free of charge within these time periods from the date of purchase.

- 3 Year Consumer/Homeowner
- 1 Year Commercial
- 90 Days – For Rental Use
- 90 Days Accessories and Replacement Parts

This warranty extends to the original retail purchaser only and commences on the date of the original retail purchase. Any part of this product found, in the reasonable judgment of ECHO Incorporated, to be defective in material or workmanship will be repaired or replaced without charge for parts and labor by an authorized ECHO dealer. Repair parts and accessories replaced under this warranty are warranted only for the balance of the original warranty period.

The product, including any defective part, must be returned to an authorized ECHO dealer within the warranty period. The expense of delivering the product to the dealer for warranty work and the expense of returning it back to the owner after repair or replacement will be paid by the owner. ECHO Incorporated's responsibility in respect to claims is limited to making the required repairs or replacements and no claim of breach of warranty shall be cause for cancellation or rescission of the contract of sale of any ECHO brand outdoor product. Proof of purchase will be required by the dealer to substantiate any warranty claim. All warranty work must be performed by an authorized ECHO dealer.

This warranty does not cover any product that has been subject to misuse, neglect, negligence, or accident, or that has been operated in any way contrary to the operating instructions as specified in the Operator's Manual. This warranty does not apply to any damage to the product that is the result of improper maintenance or to any product that has been altered or modified. The warranty does not extend to repairs made necessary by normal wear or by the use of parts or accessories which are either incompatible with the ECHO brand outdoor product, or that adversely affect its operation, performance, or durability. In addition, this warranty does not cover wear to normal items such as, but not limited to:

- A. Tune-ups – Air filters, gas filters, carburetors, spark plugs, filters, oil changes
- B. Wear items – Recoil starter rope, wheels, bearings, belts, pulleys, chipper blades, shredder flails or knives.
- C. **IMPORTANT:** Some components not covered under this warranty may still be covered by a separate warranty issued by the engine manufacturer. Please see the Engine Manufacturer Warranty (if any) supplied with this product for further details.

ECHO Incorporated reserves the right to change or improve the design of this product without assuming any obligation to modify any product previously manufactured.

All implied warranties are limited in duration to the stated warranty period. Accordingly, any such implied warranties including merchantability, fitness for a particular purpose, or otherwise, are disclaimed in their entirety after the expiration of the appropriate three-year, one-year, or 90 day warranty period. ECHO Incorporated's obligation under this warranty is strictly and exclusively limited to the repair or replacement of defective parts and ECHO Incorporated does not assume or authorize anyone to assume for them any other obligation. Some states do not allow limitations on how long an implied warranty lasts, so the above limitation may not apply to you. ECHO Incorporated assumes no responsibility for incidental, consequential, or other damages including, but not limited to, expense of returning the product to an authorized dealer for ECHO brand outdoor products and expense of delivering it back to the owner, mechanic's travel time, telephone or telegram charges, rental of a like product during the time warranty service is being performed, travel, loss or damage to personal property, loss of revenue, loss of use of the product, loss of time, or inconvenience. Some states do not allow the exclusion or limitation of incidental or consequential damages, so the above limitation or exclusion may not apply to you.

This warranty gives you specific legal rights, and you may also have other rights which vary from state to state.

This warranty applies to ECHO brand Chipper Shredders and Wheeled Trimmers manufactured by or for ECHO Incorporated and sold in the United States and Canada.

To locate your nearest authorized ECHO dealer, visit [www.ECHO-usa.com](http://www.ECHO-usa.com) or dial 1-800-432-ECHO (3246).

**ECHO Incorporated**  
400 Oakwood Rd.  
Lake Zurich, IL 60047  
1-800-432-ECHO (3246)  
[www.echo-usa.com](http://www.echo-usa.com)

99922205585  
12/20

# TABLE OF CONTENTS

<b>1</b>	<b>SAFETY</b> .....	<b>1</b>
	1.1 SAFETY ALERT SYMBOL .....	1
	1.2 FIRE HAZARD INFORMATION .....	1
	1.3 BEFORE OPERATING .....	1
	1.4 OPERATION SAFETY .....	2
	1.5 MAINTENANCE/STORAGE SAFETY .....	2
	1.6 SAFETY DECAL LOCATIONS .....	3
<b>2</b>	<b>ASSEMBLY</b> .....	<b>4</b>
	2.1 ADJUST THE HANDLE BAR .....	4
	2.2 ADD OIL TO ENGINE .....	4
	2.3 FILL THE FUEL TANK .....	4
<b>3</b>	<b>FEATURES &amp; CONTROLS</b> .....	<b>5</b>
<b>4</b>	<b>OPERATION</b> .....	<b>6</b>
	4.1 STARTING THE TRIMMER .....	6
	4.2 STOPPING THE TRIMMER .....	6
	4.3 TRIMMING GUIDE .....	6
	4.4 OFF CENTER TILT FEATURE (OCT) .....	7
<b>5</b>	<b>SERVICE &amp; MAINTENANCE</b> .....	<b>8</b>
	5.1 MAINTENANCE SCHEDULE .....	8
	5.2 ENGINE MAINTENANCE .....	8
	5.3 CUTTING HEIGHT ADJUSTMENT .....	9
	5.4 CUTTING STRING REPLACEMENT .....	9
	5.5 DRIVE BELT CHECKING, TENSIONING, AND REPLACEMENT .....	10
<b>6</b>	<b>TROUBLESHOOTING</b> .....	<b>11</b>
<b>7</b>	<b>SPECIFICATIONS</b> .....	<b>12</b>
	7.1 BOLT TORQUE .....	13
<b>8</b>	<b>OPTIONS</b> .....	<b>14</b>
<b>9</b>	<b>PRODUCT REGISTRATION</b> .....	<b>15</b>

# 1 SAFETY

## Section

### 1.1 SAFETY ALERT SYMBOL



The Owner/Operator's manual uses this symbol to alert you of potential hazards. Whenever you see this symbol, read and obey the safety message that follows it. Failure to obey the safety message could result in personal injury, death or property damage.



#### DANGER



Indicates an imminently hazardous situation that, if not avoided, will result in death or serious injury.



#### WARNING



Indicates a potentially hazardous situation that, if not avoided, could result in death or serious injury.



#### CAUTION



Indicates a potentially hazardous situation that, if not avoided, may result in minor or moderate injury.

### 1.2 FIRE HAZARD INFORMATION

Operation of this equipment may create sparks that can start fires around dry vegetation. This unit may be equipped with a spark arrester to prevent discharge of hot particles from the engine. The spark arrester may be a standard or an optional part, depending on the engine type. In some areas, it is illegal to operate an engine without a spark arrester. Check local, state, and federal laws and regulations. A spark arrester is available from authorized servicing dealers.



The engine on your power equipment, like most outdoor power equipment, is an internal combustion engine that burns gasoline or diesel fuel (hydrocarbons). If operating your power equipment in affected areas, it must be equipped with a spark arrester in continuous effective working order. The spark arrester must be attached to the engine exhaust system in such a manner that flames or heat from the system will not ignite flammable material.

Failure of the owner/operator of the equipment to comply with federal, state, and local laws may subject him or her to fines and/or other penalties. Contact your local fire marshal or forest service for specific information about which regulations apply in your area.

The standard muffler installed on the engine is spark arrester capable. Spark arrestors require regular maintenance. See the Service & Maintenance section of this manual for more information.

Metal cutting components, including the mow ball, can also create sparks if they strike rocks, metal, or other hard objects. Contact local fire authorities for laws or regulations regarding fire prevention requirements.

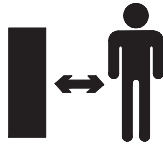
### 1.3 BEFORE OPERATING



1. Read and understand this owner's manual. Be completely familiar with the controls and the proper use of this equipment.
2. Familiarize yourself with all of the safety and operating decals on this equipment and on any of its attachments or accessories.
3. Keep safety decals clean and legible. Replace missing or illegible safety decals.
4. Obtain and wear safety glasses and use hearing protection at all times when operating this machine.
5. Avoid wearing loose fitted clothing. Never operate this machine while wearing clothing with drawstrings that could wrap around or get caught in the machine.

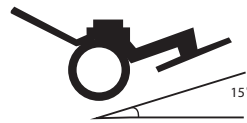


6. Do not operate this machine if you are under the influence of alcohol, medications, or substances that can affect your vision, balance or judgement. Do not operate if tired or ill. You must be in good health to operate this machine safely.
7. Do not operate this equipment in the vicinity of bystanders. Keep the area of operation clear of all persons, particularly small children. It is recommended that bystanders keep at least 50 feet (15 meters) away from the area of operation.
8. Do not allow children to operate this equipment.
9. Use only in daylight or good artificial light.
10. Do not run this equipment in an enclosed area. Engine exhaust contains carbon monoxide gas, a deadly poison that is odorless, colorless and tasteless. Do not operate this equipment in or near buildings, windows or air conditioners.
11. Always use an approved fuel container. Do not remove gas cap or add fuel when engine is running. Add fuel to a cool engine only.
12. Do not fill fuel tank indoors. Keep open flames, sparks, smoking materials and other sources of combustion away from fuel.
13. Do not operate machine without shields in place. Failure to do so may cause serious injury or death.
14. Keep all guards, deflectors, and shields in good working condition.
15. Before inspecting or servicing any part of this machine, shut off the machine and make sure all moving parts have come to a complete stop.
16. Check that all screws, nuts, bolts, and other fasteners are secured, tightened and in proper working condition before starting the machine.
17. Do not transport or move machine while it is operating or running.



## 1.4 OPERATION SAFETY

1. Keep hands and feet out of cutting area while machine is operating to avoid serious personal injury. Stop and allow machine to come to a complete stop before clearing obstructions.
2. Set up your work site so you are not endangering traffic and the public. Take great care to provide adequate warnings.
3. Keep the machine clear of debris and other accumulations.
4. When the trimmer bail is engaged, the trimmer disk is rotating. Do not attempt to inspect or service the machine while the trimmer disk is rotating.
5. Maintain firm control of the machine during operation to prevent tipping. Always be sure of your footing.
6. Shut off the power source, and make sure all moving parts have come to a complete stop before inspecting or servicing any part of the machine.



\*Do not operate over an angle of 15°. Higher angles may cause damage to your MACHINE.

## 1.5 MAINTENANCE/STORAGE SAFETY

1. Before inspecting, servicing, storing, or changing an accessory, shut off the machine and make sure all moving parts have come to a complete stop.
2. Replace any missing or unreadable safety decals. Refer to the safety decal section for part numbers.
3. Allow machine to cool before storing in an enclosure.
4. Store the machine out of reach of children and where fuel vapors will not reach an open flame or spark.
5. Never store this machine with fuel in the fuel tank inside a building where fumes may be ignited by an open flame or spark. Ignition sources can be hot water and space heaters, furnaces, clothes dryers, stoves, electric motors, etc.
6. Drain the fuel and dispose of it in a safe manner for storage periods of three months or more.

## 1.6 SAFETY DECAL LOCATIONS

Familiarize yourself with all of the safety and operational decals on the machine and the associated hazards. See the engine owner's manual or contact the engine manufacturer for engine safety instructions and decals. Make certain that all safety and operating decals on this machine are kept clean and in good condition. Decals that need replacement must be applied to their original locations.

### 1 PN YH653000230

Do not operate this equipment in the vicinity of bystanders. Do not allow children to operate this equipment. Always stand clear of discharge area when operating this machine.

Keep face and body away from discharge areas.

Do not allow hands or any part of body or clothing near any moving part to avoid serious personal injury.

Obtain and wear safety glasses and use hearing protection at all times when operating this machine.



### 2 PN YH653000240

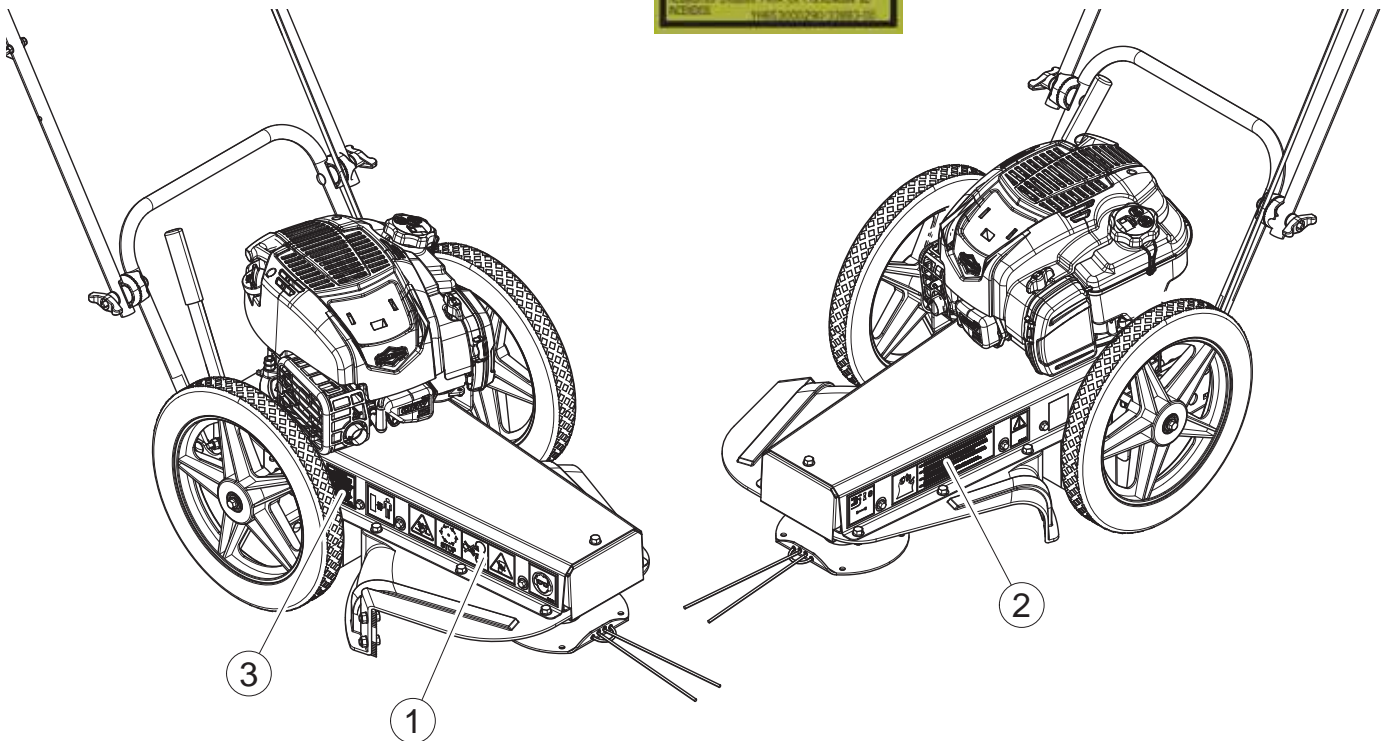
Before inspecting or servicing any part of this machine, shut off power source, disconnect spark plug wire from spark plug and make sure all moving parts have come to a complete stop.

Keep machine clear of debris and other accumulations. Build up of debris on machine can cause a fire.



### 3 PN YH653000290

Operation of this equipment may create sparks that can start fires around dry vegetation. A spark arrestor may be required. The operator should contact local fire agencies for laws or regulations relating to fire prevention requirements.



# 2 ASSEMBLY

## Section

---

### 2.1 ADJUST THE HANDLE BAR

1. Open shipping box and remove packing material.
2. Loosen T-handles on handle bar. Raise upper portion of handle bar to desired position. Tighten T-handles.
3. Cut the two corners of the shipping box so that the trimmer can be rolled out onto the floor.
4. Install recoil rope into recoil loop on handlebar.
5. Rotate recoil loop to make contact with handle bar and capture recoil rope.

### 2.2 ADD OIL TO ENGINE

Check the oil level and, if needed, fill the engine crankcase with the type and amount of oil specified in the engine owner's manual.

### 2.3 FILL THE FUEL TANK



#### WARNING



Gasoline and diesel fuels are highly flammable and their vapors are explosive. To prevent personal injury or property damage:

Store fuel only in approved containers, in well ventilated, unoccupied buildings, away from sparks or flames. A container with a capacity of 2 gallons or less with a pouring spout is recommended. Do not fill the fuel tank while the engine is hot or running, since spilled fuel could ignite if it comes in contact with hot parts or sparks from ignition. Do not start the engine near spilled fuel. Never use fuel as a cleaning agent.

**DO NOT MIX OIL WITH FUEL.**

Use only those types of fuels that are recommended in your engine owner's manual.

To add fuel:

1. Stop engine, wait for all parts to stop moving and disconnect spark plug wire. Allow the engine and muffler to cool for at least three minutes.
2. Clean area around fuel fill cap and remove cap.
3. Using a clean funnel, fill fuel tank to 1/2" (1.3 cm) below bottom of filler neck to provide space for any fuel expansion. Install fuel fill cap securely and wipe up any spilled gasoline.



# 3 FEATURES & CONTROLS

## Section

Understanding how your machine works will help you achieve the best results when using your trimmer. The following descriptions define the features and controls of your machine.

**REFER TO ENGINE OWNER'S MANUAL FOR FURTHER ENGINE OPERATING INSTRUCTIONS.**

### 1. CHOKE LEVER

Use when starting a cold engine.

### 2. TRIMMER BAIL

To start the trimmer, lift up the trimmer bail located below the handle bar. When the engine is running and the trimmer bail is engaged, the trimmer disk is rotating. Release the trimmer bail to stop the trimmer. Wait until the trimmer disk has stopped rotating to inspect or service the trimmer.

### 3. RECOIL STARTER

Used to start engine. Grasp handle and slowly pull until resistance is felt. After resistance is felt, pull the cord quickly to start the engine and prevent kickback.

### 4. TILT CONTROL HANDLE

Used to adjust the degree of tilt for the trimmer head and body when using the Off Center Tilt (OCT) feature.

### 5. HANDLE BAR ADJUSTMENT/FOLDING HANDLE BAR

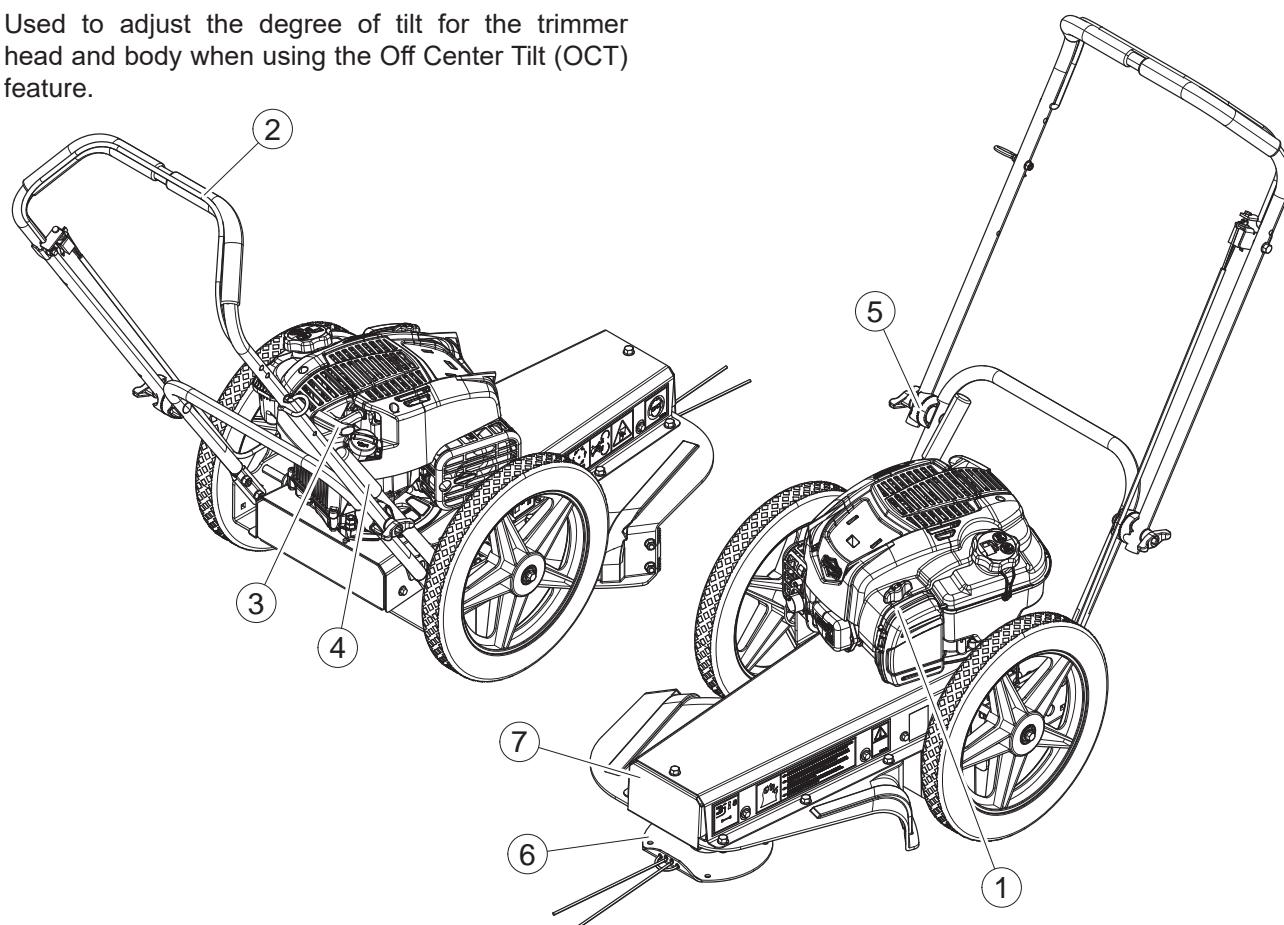
Loosen T-handle to adjust handle bar position. Tighten T-handle at desired location. Handle bar can be folded down over the trimmer for hauling or storage.

### 6. TRIMMER PLATE

Attach trimmer string or replace with Proline Head or No Spark Mow Ball

### 7. FRONT COVER

Cover can be removed for: replacing a belt, flipping the trimmer plate, or install/removal of Proline Head or No Spark Mow Ball.



# 4 OPERATION

## Section

As with any other piece of outdoor power equipment, getting the feel for how your machine operates and getting to know the best techniques for particular jobs are important to overall good performance.

### TRIMMING OPERATION

The trimming operation takes place under the body of the trimmer, where trimmer string is mounted to a rotating disk. Material is trimmed and propelled out the edges of the trimmer.



### WARNING



Before operating your machine, be sure you read and understand all safety, controls and operating instructions in this owner's manual and on your machine. Failure to follow these instructions can result in serious injury or property damage.

### 4.1 STARTING THE TRIMMER

Move the machine to a clear, level area outdoors before starting. Do not operate in the vicinity of bystanders. Make sure the engine is clean and debris has not accumulated on the engine or around the muffler.

1. Check engine oil level before starting (see Engine Owners Manual).
2. Turn choke lever to ON.
3. Lift trimmer bail to handle bar.
4. Grasp the recoil starter cord handle and slowly pull until resistance is felt, then pull quickly to start the engine and prevent kickback. Repeat if necessary.
5. Allow engine to warm up and turn the choke OFF.

### 4.2 STOPPING THE TRIMMER

Release the trimmer bail.



### WARNING



Allow the machine to come to complete stop before inspection or servicing. You can tell when the machine has come to a complete stop when the trimmer disk is not rotating.

### 4.3 TRIMMING GUIDE

The intended use of the Wheeled Trimmer is trimming, mowing and edging. The following guidelines can help you get started.

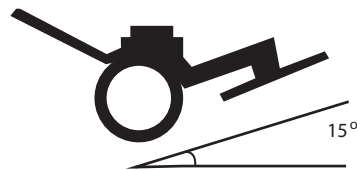
1. Run unit at full operating speed before starting to trim, mow or edge.
2. To begin trimming, start the engine, place the trimmer head on the ground and begin walking slowly.
3. The wheels should remain on the ground at all times to prevent undue pressure on the trimmer head.
4. The cutting radius is dependant on the amount of cutting string used and type of application.
5. For difficult conditions and edging, using less than the full cutting radius is recommended.
6. If mowing a large open area, mow in a counter-clockwise direction, working from the outside towards the center. Cut grass discharges to the right side of the trimmer.



### WARNING



Inspect and clean engine before each use. Debris accumulation around the muffler can cause a fire.



\*Do not operate over an angle of 15°. Higher angles may cause damage to your MACHINE.

## 4.4 OFF CENTER TILT FEATURE (OCT)

The OCT feature is used to trim in hard to reach places. This feature enables both the trimmer head and body to tilt for trimming close to the ground. The degree of tilt is dependent on the setting selected on the height adjustment handle located on the right side of the Wheeled Trimmer. To engage the OCT feature, simply move the handle into one of the four settings that are available.

1. **Level:** The height adjustment handle is set in the position closest to the rear of the trimmer.
3. **10.3 degrees:** The height adjustment handle is set in the third position from the rear of the trimmer.



Figure 4.1, Level



Figure 4.3, Third Position

2. **5.4 degrees:** The height adjustment handle is set in the second position from the rear of the trimmer.



Figure 4.2, Second Position

4. **13 degrees:** The height adjustment handle is set in the position closest to the front of the machine for maximum tilt.



Figure 4.4, Closest to Front

# 5 SERVICE & MAINTENANCE

## Section

### 5.1 MAINTENANCE SCHEDULE

The items listed in this service and maintenance schedule are to be checked, and if necessary, corrective action taken. This schedule is designed for units operating under normal conditions. If the unit is operating in adverse or severe conditions, it may be necessary for the items to be checked and serviced more frequently.

**SEE ENGINE OWNER'S MANUAL FOR FURTHER ENGINE MAINTENANCE AND TROUBLESHOOTING INFORMATION.**

SERVICE AND MAINTENANCE SCHEDULE						
COMPONENT	MAINTENANCE REQUIRED	REFER TO ENGINE OPERATOR'S MANUAL	FREQUENCY			
			BEFORE EACH USE	AFTER FIRST USE	EVERY 8 HOURS	EVERY YEAR
Air cleaner	Check and clean (1)	•				
Engine oil	Change (1)	•				
Spark plug	Check condition and gap	•				
Fuel tank	Check/fill		•			
All internal and external nuts and bolts	Check tightness		•			
Cooling shrouds	Clean (1)		•	•		
Belt	Check tightness			•		
Spark arrestor*	Clean				•	
Entire machine	Clean				•	
Starter drive	Service					•
(1) Perform more frequently under extremely dusty conditions.						
*If equipped						
Change oil after first 5-8 hours of use, then every 50 hours or every season.						
<b>As the Limited Warranty states, failure by the Owner to perform normal maintenance will void the machine's warranty.</b>						

### 5.2 ENGINE MAINTENANCE

Maintenance is essential in preserving engine life. Clean the engine periodically to remove grass and buildup. The engine owners manual addresses cleaning the air filter and changing the oil. Service engine according to the maintenance schedule in your engine owners manual.

Remember to inspect and clean engine cooling fins as needed.



## WARNING



Clean grass and buildup from the engine periodically. Dusty conditions will require frequent cleaning.

**WARNING**

BEFORE INSPECTING OR SERVICING ANY PART OF THIS MACHINE, SHUT OFF POWER SOURCE, DISCONNECT SPARK PLUG WIRE FROM SPARK PLUG AND MAKE SURE ALL MOVING PARTS HAVE COME TO A COMPLETE STOP.

**5.3 CUTTING HEIGHT ADJUSTMENT**

The standard cutting height is 2-3/4" (7 cm). The cutting height can be adjusted down approximately 3/4" (1.9 cm) by turning the trimmer head disk over. To adjust the cutting height:

1. Remove front cover.
2. Rotate the mow ball to align the flat spots of the trimmer shaft with the opening.
3. Use an adjustable wrench or 9/16" (14 mm) wrench to hold the trimmer shaft. Rotate until the wrench is braced against the trimmer body.
4. To remove, turn the mow ball counterclockwise (when viewed from below). Use a slip wrench or oil filter style wrench if mow ball is difficult to remove. Turning the trimmer plate can also assist with loosening the mowball.
5. Turn trimmer disk over and replace on trimmer spindle.

6. Reinstall the mow ball and turn clockwise (when viewed from below) to tighten.

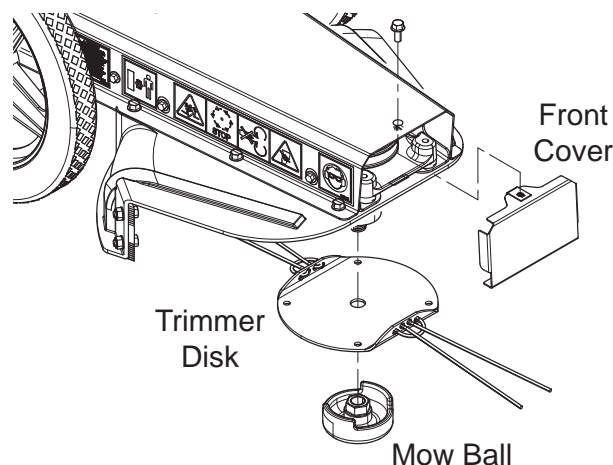


Figure 5.1, Cutting Height Adjustment

**5.4 CUTTING STRING REPLACEMENT**

Cutting string is available in two thicknesses, 155 mil (standard) and 175 mil (heavy duty). The type of string selected is dependent on the conditions and material being cut.

Cutting string can be wrapped in a variety of ways. Refer to Figures 5.2, 5.3, and 5.4 for examples. The wrapping method and cutting string thickness chosen is ultimately based on what is determined the best for the operator.

To wrap the cutting string in the standard configuration, follow the steps below.

1. Feed the cutting string through the second hole on either end of the trimmer head leaving approximately 8" (20.3 cm) for the cutting surface. Total recommended string length is 20" (50.8 cm).
2. Continue by weaving the cutting string through the first hole directly beside the second hole used in step 1. Pull the cutting string tight.
3. Loop the cutting string back and feed through the first hole on the opposite end of the trimmer head.
4. Feed through the remaining second hole and pull the cutting string tight. The cutting strings in the middle two holes should be the same length. If the length differs, cut to an even length.
5. Optional method. Tie knot in middle of string. Insert loose ends through holes in trimmer plate.

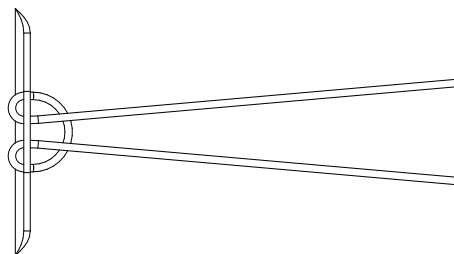


Figure 5.2 Wrapping the Cutting String

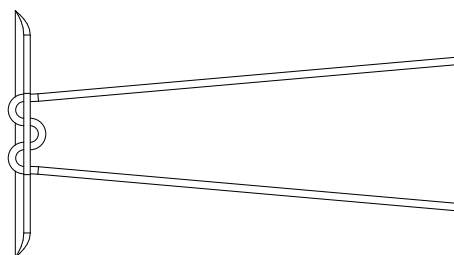


Figure 5.3 Optional Wrapping Method

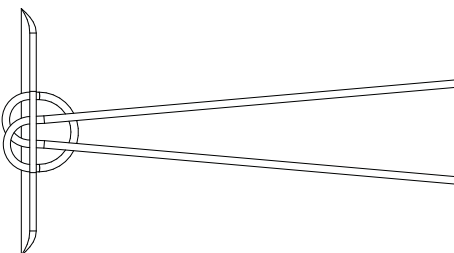


Figure 5.4 Optional Wrapping Method



**WARNING**



BEFORE INSPECTING OR SERVICING ANY PART OF THIS MACHINE, SHUT OFF POWER SOURCE, DISCONNECT SPARK PLUG WIRE FROM SPARK PLUG AND MAKE SURE ALL MOVING PARTS HAVE COME TO A COMPLETE STOP.

**5.5 DRIVE BELT CHECKING, TENSIONING, AND REPLACEMENT**

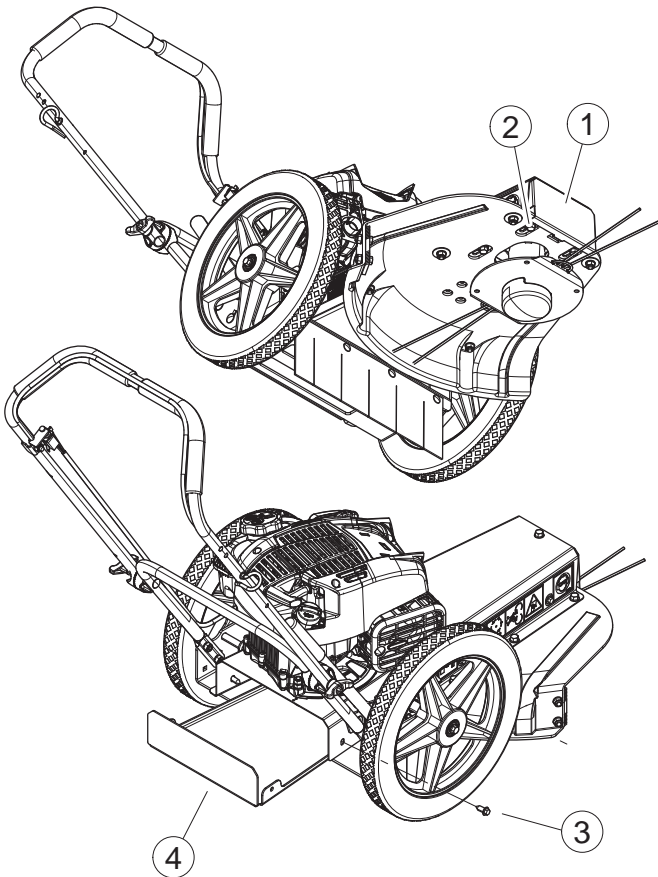
Check the condition of the drive belt annually or after 20 hours of operation, whichever comes first. If the belt is cracked, frayed, or worn, replace it by following these steps:

1. Shut off the engine. Disconnect the spark plug wire.
2. Remove the front cover (1).
3. Loosen the four bolts (2) fastening the spindle hub to the trimmer bottom frame. This will allow the spindle hub with the attached trimmer pulley to move freely.
4. Remove the four screws (3) on the sides of the body below the engine. Remove plate (4) to expose the belt.
5. Remove worn or broken belt.
6. Install new belt from the front to the back. Feed belt above the front trimmer pulley and below the rear pulley.

7. Install plate (4) using four screws (3).
8. Move spindle hub forward to apply belt tension. Tighten four bolts (2).
9. Replace front cover.

**NOTE**

- A belt that is too tight will damage bearings/spindle shaft/belt
- A belt that is too loose will slip and cause premature failure.
- The engine should be placed under load while in thick grass, if not the belt may be slipping.



# 6 TROUBLESHOOTING

## Section

Before performing any of the corrections in this troubleshooting chart, refer to the appropriate information contained in this manual for the correct safety precautions and operating or maintenance procedures. Contact your dealer or ECHO for service problems with the machine.

PROBLEM	POSSIBLE CAUSES	REMEDY
Trimmer disk does not turn	Broken or damaged belt	Replace belt
	Broken spindle	Replace spindle
	Failed bearings	Replace bearings
Cutting is slow or rough	Cutting string is too weak	Replace with heavier cutting string (.175)
	Growth is too thick or heavy	Reduce the trimming area by half or raise the trimmer head off the ground
	Engine not running at full RPM	Speed up engine to full throttle
Trimmer requires excessive power or stalls	Cutting string is too long	Reduce cutting string length
	Growth is too thick or heavy	Reduce the trimming area by half or raise the trimmer head slightly off the ground
	Belt too tight	Move spindle hub assembly towards the rear of the trimmer
Drive belt squealing or smoking	Drive belt is loose or worn	Replace drive belt
	Worn or damaged pulley	Replace pulley
Engine won't start or is hard to start	Gas tank is empty	Fill gas tank
	Spark plug wire is disconnected	Connect loose wire to the spark plug
	Spark plug is defective	Replace spark plug
	Gas line is obstructed	Remove gas line at carburetor and check for obstruction. Drain gas tank and refill with fresh gasoline.
	Dirty, stale, water-contaminated gas	Drain tank and fill with fresh gasoline
	Flooded engine	Put throttle control in run position and crank engine several times to clear out excess gas
	Dirty or plugged air cleaner or engine cooling fins	Clean or replace air cleaner. Clean cooling fins and shroud area of engine.
	Trimmer bail not engaged	Engage trimmer bail
	Wire harness connection	Check harness for loose connections or break in wire
Engine runs, but dies or does not accelerate properly	Air filter dirty	Clean or replace
	Fuel filter dirty	Replace
	Fuel vent plugged	Clean or replace
	Spark plug dirty/worn	Clean and adjust or replace
	Carburetor vibration	Adjust
	Cooling system dirty/plugged	Clean
	Spark arrestor* plugged	Clean or replace
Drive belt rolling or falling off pulleys	Pulley not aligned	Align pulleys
	Belt not tensioned properly	Tension belt with 70 lbs. of force
	Spindle bearing failed	Replace bearing

\*If equipped

# 7 SPECIFICATIONS

## Section

---

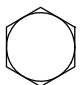
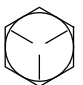
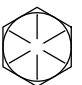
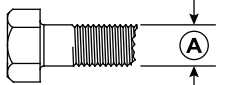
DESCRIPTION	ENGLISH	METRIC
Engine	Briggs & Stratton® 675 EXi Series 163cc	
Drive	Push (with tilt)	
Fuel capacity	0.8 quarts (0.2 gallon)	
Start	Recoil	
Cutting width	24"	61 cm
Cutting height	1-7/8" and 2-3/4"	4.8 cm and 7 cm
Nylon cutting string	20" 0.155" Cross-Fire®	50.8 cm 0.39 cm Cross-Fire
Wheel support	Ball bearings	
Offset	2" left	5 cm left
Control vibration level	< 2.5 m/s <sup>2</sup>	
Noise level	99 dB	
Weight	84 lbs.	38.1 kg
Machine Dimensions (L x W x H)	45" x 23" x 43"	114 cm x 58 cm x 109 cm
Spark Arrester Equipped*	No	

\* - If a spark arrester is required it must meet the specifications and performance requirements of local, state, and federal laws and regulations. A spark arrester is available from authorized servicing dealers.





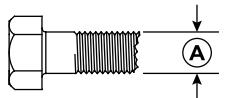


## 7.1 BOLT TORQUE

The tables below are for reference purposes only and their use by anyone is entirely voluntary, unless otherwise noted. Reliance on their content for any purpose is at the sole risk of that person and any loss or damage resulting from the use of this information is the responsibility of that person.

SAE Grade and Head Markings	SAE 2	SAE 5	SAE 8	BOLT DIAMETER
				

BOLT DIAMETER (A)	BOLT TORQUE*					
	SAE 2		SAE 5		SAE 8	
	NM	FT-LB.	NM	FT-LB.	NM	FT-LB.
1/4"	7.5	5.5	11	8	16	12
5/16"	15	11	23	17	34	25
3/8"	27	20	41	30	61	45
7/16"	41	30	68	50	95	70
1/2"	68	50	102	75	149	110
9/16"	97	70	149	110	203	150
5/8"	122	90	203	150	312	230
3/4"	217	160	353	260	515	380
7/8"	230	170	542	400	814	600
1"	298	220	786	580	1220	900
1-1/8"	407	300	1085	800	1736	1280
1-1/4"	570	420	2631	1940	2468	1820

METRIC Grade and Head Markings	4.8	8.8	10.9	12.9	BOLT DIAMETER
					

BOLT DIAMETER (A)	BOLT TORQUE*							
	4.8		8.8		10.9		12.9	
	NM	FT-LB.	NM	FT-LB.	NM	FT-LB.	NM	FT-LB.
M3	0.5	0.4	–	–	–	–	–	–
M4	3	2.2	–	–	–	–	–	–
M5	5	4	–	–	–	–	–	–
M6	6	4.5	11	8.5	17	12	19	14.5
M8	15	11	28	20	40	30	47	35
M10	29	21	55	40	80	60	95	70
M12	50	37	95	70	140	105	165	120
M14	80	60	150	110	225	165	260	190
M16	125	92	240	175	350	255	400	300
M18	175	125	330	250	475	350	560	410
M20	240	180	475	350	675	500	800	580
M22	330	250	650	475	925	675	1075	800
M24	425	310	825	600	1150	850	1350	1000
M27	625	450	1200	875	1700	1250	2000	1500

\*Torque value for bolts and capscrews are identified by their head markings.

Torque figures indicated above are valid for non-greased or non-oiled threads and heads unless otherwise specified. Therefore, do not grease or oil bolts or capscrews unless otherwise specified in this manual. When using locking elements, increase torque values by 5%.

# 8 OPTIONS

## Section

---

PART NUMBER	DESCRIPTION
102225155	STRING, .155 DIA, CROSS-FIRE® (50 Count / 21" Strips)
311155066	STRING, .155 DIA, CROSS-FIRE (1 LB. DONUT)
314155056	STRING, .155 DIA, CROSS-FIRE (3 LB. SPOOL)
102225175	STRING, .175 DIA, CROSS-FIRE (50 Count /21" Strips)
311175067	STRING, .175 DIA, CROSS-FIRE (1 LB. DONUT)
314175057	STRING, .175 DIA, CROSS-FIRE (3 LB. SPOOL)
99944400001	KIT, NO SPARK MOW BALL
99944400000	KIT, PRO-LINE HEAD



*Pro-line Head Kit, 99944400000*

# 9

Section

# PRODUCT REGISTRATION

---

## PRODUCT REGISTRATION

### **Thank you for choosing ECHO Power Equipment**

Please go to <http://www.echo-usa.com/Warranty/Register-Your-ECHO> to register your new product on-line. It's FAST and EASY! NOTE: your information will never be sold or misused by ECHO, Inc. Registering your purchase enables us to contact you in the unlikely event of a service update or product recall, and verifies your ownership for warranty consideration.

If you do not have access to the Internet, you can complete the form below and mail to:

***ECHO Incorporated, Product Registration, PO Box 1139, Lake Zurich IL 60047.***



# PRODUCT REGISTRATION CARD : TARJETA DE REGISTRO : CARTE D'ENREGISTREMENT DU PRODUIT

**ONLINE OPTION:** Register online and save a stamp! You will be alerted of product updates and/or be sent new ECHO product information and special offers. Simply go to:  
[www.echo-usa.com](http://www.echo-usa.com)

**OPCIÓN POR INTERNET:** ¡Regístrese en la página web y ahorre una estampilla! Le alertarán sobre actualizaciones del producto y/o se le enviara información sobre los nuevos productos ECHO y las ofertas especiales. Simplemente visite:  
[www.echo-usa.com](http://www.echo-usa.com)

**OPTION EN LIGNE :** Enregistrer en ligne et épargner un timbre! Vous serez informé sur les nouveaux produits ECHO et les mises à jour de produit ainsi que les offres spéciales. Simplement visitez le: [www.echo-usa.com](http://www.echo-usa.com)

Please Print : Por Favor Escriba Con Letra De Molde : En Lettre Carré S.V.P.

Confidential: Information provided will not be shared or sold

Purchaser's Name : Nombre del Comprador : Nom de l'acheteur		
Address : Direccion : Adresse		
City : Ciudad : Ville	State : Estado : Province	Zip Code : Código Postal : Code Postal
E-Mail Address : Direccion De Correo Electrónico : Courrier Electronique		
Phone Number : Número De Teléfono : Téléphone		
		Date of Purchase : Fecha de la Compra : Date de l'achat
Where Purchased : Nombre del Almacén donde fue Comprado : Lieu d'achat		
Model Number : Numero del Modelo: No. de modèle	Serial Number : Numero de Serie : No. de série	

Registering your purchase enables us to contact you in the unlikely event of a service update or product recall and verifies your ownership in the event of loss. El registrar su compra nos permite estar en contacto con usted en caso de cualquier evento como el aviso de tiempo de servicio o la revocación del producto y verificación de propiedad en caso de robo o pérdida. L'enregistrement de votre achat nous permettra de vous contacter dans le cas improbable de modifications des instructions d'entretien ou de rappel du produit et vérifier que vous êtes le propriétaire en cas de vol ou de perte.

Primary use of tool:  Professional  Homeowner  Rental Equip.  
 Uso primario de la herramienta:  Profesional  Dueño de casa  Alquiler  
 Usage principal:  Professionnel  Residential  Location

Do you wish to receive periodic ECHO product information and special offers by e-mail?  Yes  No  
 ¿Desea usted recibir información periódica y ofertas especiales por correo electrónico sobre el producto ECHO?  Yes  No  
 Souhaitez-vous recevoir périodiquement de l'information sur les produits ECHO et les offres spéciales par courrier électronique?  Oui  Non

Did you visit the ECHO website before purchasing your product?  
 Yes  No  
 Visité usted la página web ECHO antes de comprar su producto?  
 Si  No  
 Avez-vous visité le site d'ECHO avant de procurer votre produit?  
 Oui  Non

What factor(s) most influenced your purchase?  
 Performance  Price  Dealer  
 Reliability  Prior Experience  Quality  
 Friend/Family  Brand  Warranty  
 ¿Qué factor(es) influyó más en su compra?  
 Funcionamiento  Precio  Distribuidor  
 Confiabilidad  Experiencia Anterior  Calidad  
 Amigo/Familia  Marca  Garantía

Quel facteur (facteurs) vous a influencé le plus?  
 Performance  Prix  Marchand  
 Fiabilité  Expérience  Qualité  
 Ami/Famille  Marque  Garantie

**ECHO INC., 400 Oakwood Rd., Lake Zurich, IL 60047**  
**1.800.432.ECHO WWW.ECHO-USA.COM**

X7572270206 02-2012









**ECHO INCORPORATED**

400 Oakwood Road  
Lake Zurich, IL 60047  
[www.echo-usa.com](http://www.echo-usa.com)





# Manual del Operador Recortadora de Ruedas WT-1610T

ESPAÑOL



**ADVERTENCIA**



*Lea y comprenda toda la literatura incluida antes de su uso. Si no lee los manuales, podría sufrir lesiones graves.*

Nota: Este producto cumple con los estándares CAN ICES-2/NMB-2.



**ADVERTENCIA**



*El sistema de escape del motor de este producto contiene químicos que pueden causar cáncer, defectos congénitos u otros daños en la reproducción, de acuerdo a lo que se conoce en el Estado de California.*

# Prefuncionamiento

## ESTIMADO CLIENTE DE ECHO®

Gracias por adquirir un producto ECHO. La línea ECHO está diseñada, probada y fabricada para brindar años de rendimiento confiable. Para mantener su máquina funcionando con la máxima eficiencia, es necesario ajustarla correctamente y realizar inspecciones periódicas. Las siguientes páginas le ayudarán en el funcionamiento y mantenimiento de su máquina. Lea y comprenda este manual antes de operar su máquina.

## Soporte de productos de consumo de ECHO

Si necesita ayuda o tiene preguntas sobre la aplicación, operación o mantenimiento de este producto, llame al Departamento de Soporte de Productos para el Consumidor de ECHO al 1-800-432-ECHO (3246) de 8:00 am a 5:00 pm (Central Standard Hora) de lunes a viernes. Antes de llamar, sepa el modelo y el número de serie de su unidad.

Este documento se basa en la información disponible en el momento de su publicación. ECHO está continuamente mejorando y desarrollando nuevos equipos. Al hacerlo, nos reservamos el derecho de realizar cambios o agregar mejoras a nuestro producto sin obligación para los equipos vendidos anteriormente.

## Registración del producto

Registre su equipo ECHO en línea en [www.echo-usa.com](http://www.echo-usa.com) o llenando la hoja de registro del producto incluida en este manual. El registro de su producto confirma la cobertura de la garantía y proporciona un enlace directo a ECHO si lo consideramos necesario para comunicarnos con usted.

## SERVICIO

El servicio de este producto durante el período de garantía debe ser realizado por un distribuidor de servicio ECHO autorizado. Para obtener el nombre y la dirección del distribuidor de servicio ECHO autorizado más cercano a usted, pregunte a su distribuidor o llame al: 1-800-432-ECHO (3246). La información del distribuidor también está disponible en nuestro sitio web [www.echo-usa.com](http://www.echo-usa.com). Al presentar su unidad para servicio / reparaciones bajo garantía, se requiere prueba de compra.

## PARA SERVICIO DE MOTOR O PIEZAS

Para obtener servicio o piezas del motor, comuníquese con el distribuidor de motores autorizado más cercano. ECHO no maneja piezas, reparaciones ni garantías para motores.

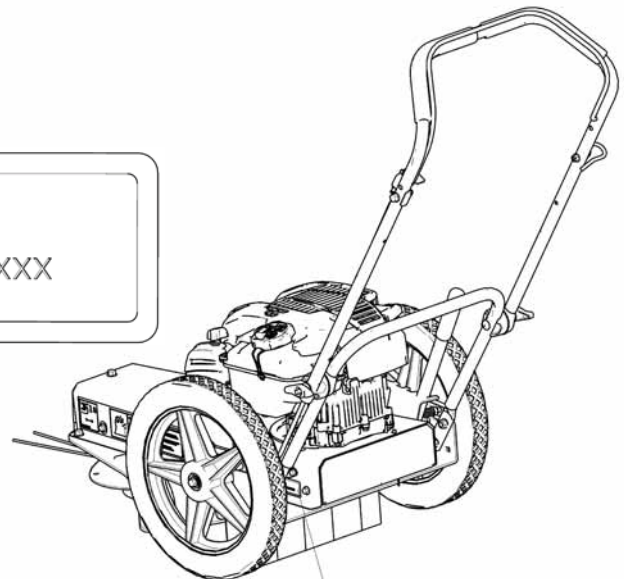
## PIEZAS / NÚMERO DE SERIE

Las piezas y conjuntos originales ECHO para sus productos ECHO están disponibles únicamente en un distribuidor autorizado de ECHO. Cuando necesite comprar piezas, lleve siempre consigo el número de modelo y el número de serie de la unidad. Para referencia futura, escríbalos en el espacio provisto a continuación.

Nº de Modelo. \_\_\_\_\_

Número de serie. \_\_\_\_\_

ECHO INCORPORATED  
MODEL NUMBER: WT-1610T  
SERIAL NUMBER: 110WTBXXXXXX  
MANUFACTURED IN U.S.A.



Serial Number Location

## LITERATURA ADICIONAL

Además de encontrar información en línea, la información sedisponible en su distribuidor de servicio ECHO autorizado, oponiéndose en contacto con ECHO Inc.

400 Oakwood Road, Lake Zurich, IL 60047

1-800-432-ECHO (3246)

## **GARANTÍA**

### **Declaración de la garantía limitada**

ECHO Incorporated garantiza al comprador original al menudeo que este producto para exteriores de la marca ECHO® carece de defectos en los materiales y en la mano de obra, y acuerda reparar o reemplazar, a la sola discreción de ECHO Incorporated, cualquier producto defectuoso, sin cargo alguno al comprador, dentro de los siguientes períodos de tiempo a partir de la fecha de compra.

- 3 años consumidor
- 1 año comercial
- 90 días para uso de alquiler
- 90 días accesorios y piezas de repuesto

Esta garantía se otorga solamente al comprador original al menudeo, y comienza en la fecha de la compra original al menudeo. Cualquier parte de este producto que ECHO Incorporated considere, a su criterio razonable, tiene un defecto de materiales o de manufactura se reparará o cambiará sin costo de repuestos o mano de obra en un distribuidor ECHO autorizado. Los repuestos que se utilicen en reparaciones y los accesorios reemplazados amparados bajo garantía seguirá estando garantizada por la garantía durante el período de garantía restante. El producto, incluida toda pieza defectuosa, debe enviarse a un distribuidor ECHO autorizado dentro del período de la garantía. El gasto de enviar el producto al centro de servicio para cualquier trabajo cubierto por la garantía, así como el gasto de devolverlo al propietario después de la reparación, correrán por cuenta del propietario. La responsabilidad de ECHO Incorporated con respecto a todo reclamo se limita a las reparaciones o reemplazo del producto, y ningún reclamo de incumplimiento de la garantía será causante de la cancelación o rescisión del contrato de venta de ninguna herramienta de uso en el exterior de la marca ECHO. En el establecimiento se requerirá el recibo de compra para respaldar cualquier reclamo al amparo de la garantía. Todo trabajo cubierto en la garantía debe ser realizado por un distribuidor ECHO autorizado.

Esta garantía no cubre ningún producto que haya sido sujeto a un uso indebido, maltrato, negligencia o accidente, o que haya sido utilizado de cualquier forma contraria a las instrucciones de manejo especificadas en el Manual del operador del producto. Esta garantía no aplica a ningún daño en el producto que resulte de un mantenimiento indebido ni a ningún producto que haya sido alterado o modificado. La garantía no cubre ninguna reparación necesaria por el uso normal ni por el uso de piezas o accesorios que sean incompatibles con la herramienta para uso exterior de la marca ECHO, o afecten de forma desfavorable su funcionamiento, desempeño o durabilidad. Además, esta garantía no cubre el desgaste de artículos normales como, entre otros, los siguientes:

- A. Afinaciones – filtros de aire, filtros de combustible, carburadores, bujías, filtros, cambios de aceite
- B. Componentes sujetos a desgaste: cuerda de arranque de retroceso, ruedas, cojinetes, correas, poleas, hojas de astilladora, mayales de trituradora o cuchillas.

C. IMPORTANTE: A los componentes que esta garantía no cubra, los podrá cubrir una garantía adicional emitida por el que fabricante del motor. consulte la garantía del fabricante del motor (si la hubiera) que se entregó con el producto para conocer más detalles.

La Empresa no pagará las reparaciones o los ajustes que se realicen al producto, ni ningún costo ni mano de obra que se lleve a cabo sin la autorización previa de la Empresa. ECHO Incorporated se reserva el derecho de cambiar o mejorar el diseño de este producto sin asumir cualquier obligación de modificar cualquier producto anteriormente fabricado.

Todas las garantías implícitas están limitadas en duración según el período de garantía declarada. Por consiguiente, cualquier garantía implícita, incluso las de comerciabilidad, idoneidad para un propósito en particular, o de cualquier tipo, pierden totalmente su validez después del vencimiento del período de garantía correspondiente de tres años, un años, o noventa días. De conformidad con esta garantía, la obligación de echo incorporated se limita estricta y exclusivamente a la reparación o reemplazo de las piezas defectuosas, y echo incorporated no asume ninguna otra obligación, ni autoriza a nadie asumirla a nombre de dicha compañía. Algunos estados no permiten limitaciones en cuanto a la duración de una garantía implícita, por lo cual es posible que la limitación anterior no se aplique en el caso de usted. Echo incorporated no asume ninguna responsabilidad por daños directos, indirectos o de ningún otro tipo, como el gasto de enviar el producto a un distribuidor echo autorizado y el gasto de enviarlo de allí al propietario, el tiempo de viaje del mecánico, cargos telefónicos o telegráficos, alquiler de un producto sustituto durante el tiempo de realización del servicio de la garantía, viajes, pérdida o daños a objetos de propiedad personal, pérdida de ingresos, pérdida del uso del producto, pérdida de tiempo o inconvenientes. En algunos estados no se permite la exclusión o limitación de daños directos o indirectos, por lo cual es posible que la limitación o exclusión descrita arriba no se aplique en su caso.

Esta garantía le confiere derechos legales específicos, y es posible que usted goce de otros derechos, los cuales pueden variar de estado a estado.

Esta garantía se aplica a las Trituradora Astilladora marca ECHO y las recortadora de ruedas marca ECHO fabricadas por o para ECHO Incorporated y vendidas en los Estados Unidos y Canadá.

Para encontrar el distribuidor ECHO autorizado más cercano a usted, visitar [www.echo-usa.com](http://www.echo-usa.com) o llame al 1-800-432-ECHO (3246).

**ECHO Incorporated**  
400 Oakwood Rd.  
Lake Zurich, IL 60047  
1-800-432-ECHO (3246)  
[www.echo-usa.com](http://www.echo-usa.com)

99922205585  
12/20

# ÍNDICE

<b>1</b>	<b>SEGURIDAD .....</b>	<b>1</b>
1.1	SÍMBOLO DE ALERTA DE SEGURIDAD .....	1
1.2	INFORMACIÓN SOBRE PELIGROS DE INCENDIO .....	1
1.3	PREFUNCIONAMIENTO .....	1
1.4	SEGURIDAD EN LA OPERACIÓN .....	2
1.5	SEGURIDAD EN MANTENIMIENTO Y ALMACENAMIENTO .....	2
1.6	UBICACIONES DE LAS CALCOMANÍAS DE SEGURIDAD .....	3
<b>2</b>	<b>MONTAJE .....</b>	<b>4</b>
2.1	AJUSTE EL MANILLAR .....	4
2.2	VERIFICACIÓN/AGREGADO DE ACEITE PARA MOTOR .....	4
2.3	LLENADO DEL TANQUE .....	4
<b>3</b>	<b>FUNCIONES Y CONTROLES.....</b>	<b>5</b>
<b>4</b>	<b>OPERACIÓN .....</b>	<b>6</b>
4.1	ARRANQUE DE LA CORTADORA DE CÉSPED .....	6
4.2	PARADA DE LA CORTADORA DE CÉSPED .....	6
4.3	GUÍA DE RECORTE.....	6
4.4	FUNCIÓN DE INCLINACIÓN DESCENTRADA (OCT) .....	7
<b>5</b>	<b>SERVICIO Y MANTENIMIENTO.....</b>	<b>8</b>
5.1	PROGRAMA DE MANTENIMIENTO .....	8
5.2	MANTENIMIENTO DEL MOTOR .....	8
5.3	REGULACIÓN DE ALTURA DE CORTE .....	9
5.4	REEMPLAZO DE LA TANZA DE CORTE .....	9
5.5	REVISIÓN, TENSADO Y REEMPLAZO DE LA CORREA DE TRANSMISIÓN .....	10
<b>6</b>	<b>SOLUCIÓN DE PROBLEMAS.....</b>	<b>11</b>
<b>7</b>	<b>ESPECIFICACIONES.....</b>	<b>12</b>
7.1	PAR DE TORSIÓN DE PERNOS .....	13
<b>8</b>	<b>OPCIONES .....</b>	<b>14</b>
<b>9</b>	<b>REGISTRO DE PRODUCTO.....</b>	<b>15</b>

# 1 SEGURIDAD

## Sección

### 1.1 SÍMBOLO DE ALERTA DE SEGURIDAD



El manual del propietario y del operador usa este símbolo para alertarlo acerca de riesgos potenciales. Cuando vea este símbolo, lea y obedezca el mensaje de seguridad que sigue. Desobedecer este mensaje de seguridad puede ocasionar lesiones personales, la muerte o daño a la propiedad.



### PELIGRO



Indica una situación peligrosa inminente que, si no se evita, podría ocasionar la muerte o lesiones graves.



### ADVERTENCIA



Indica una situación potencialmente peligrosa que, si no se evita, podría ocasionar la muerte o lesiones graves.



### PRECAUCIÓN



Indica una situación potencialmente peligrosa que, si no se evita, podría ocasionar lesiones menores o moderadas.

### 1.2 INFORMACIÓN SOBRE PELIGROS DE INCENDIO



La operación de este equipo puede generar chispas que pueden provocar incendios alrededor de la vegetación seca. Esta unidad puede estar equipada con un supresor de chispas para evitar la descarga de partículas calientes del motor. El supresor de chispas puede ser una pieza estándar u opcional, según el tipo de motor. En algunas áreas, es ilegal

operar un motor sin un supresor de chispas. Consulte las leyes y regulaciones locales, estatales y federales. Un supresor

de chispas está disponible en los distribuidores de servicio autorizados.

El motor de su equipo motorizado, como la mayoría de los equipos motorizados para uso al aire libre, es un motor de combustión interna que quema gasolina o combustible diésel (hidrocarburos). Si está operando su equipo motorizado en las áreas afectadas, debe estar equipado con un parachispas en buen estado de funcionamiento de manera continua y efectiva. El parachispas debe fijarse al sistema de escape del motor de tal manera que las llamas o el calor del sistema no lleguen a encender materiales inflamables.

Si el propietario/operador del equipo no cumpliera con las leyes federales, estatales y locales, podría quedar sujeto a multas u otras penalidades. Póngase en contacto con el jefe de bomberos o el servicio forestal local para obtener información específica acerca de qué regulaciones rigen en su área.

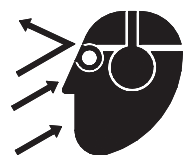
El silenciador estándar instalado en el motor es capaz de parar las chispas. Los parachispas requieren un mantenimiento regular. Para más información, consulte la sección de Servicio y Mantenimiento de este manual.

Los componentes metálicos de corte, incluyendo la bola de segar, también pueden generar chispas si golpean rocas, metal u otros objetos duros. Póngase en contacto con las autoridades locales de bomberos para que le indiquen las leyes o reglamentos que regulan los requisitos de prevención de incendios.

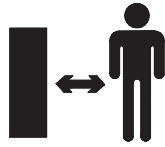
### 1.3 PREFUNCIONAMIENTO



1. Es importante leer y comprender este manual del propietario y del operador. Conozca en detalle los controles y el uso adecuado de este equipo.
2. Conozca cada una de las calcomanías de seguridad y de operación de este equipo y de cualquiera de sus aditamentos o accesorios.
3. Mantenga las calcomanías de seguridad limpias y legibles. Reemplace las calcomanías de seguridad faltantes o ilegibles.
4. Obtenga y use gafas de seguridad y use protectores para oídos en todo momento al operar esta máquina.
5. Evite usar ropas holgadas. Nunca opere esta máquina mientras usa ropas con cordones que puedan enroscarse o engancharse en la máquina.



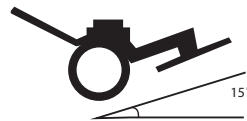
6. No ponga en funcionamiento esta máquina si está bajo la influencia de alcohol, medicamentos, o drogas que puedan afectar su visión, equilibrio o buen criterio. No la opere si está cansado o enfermo. Debe estar sano para operar esta máquina de manera segura.



7. No opere este equipo en la cercanía de transeúntes. Mantenga el área de trabajo libre de toda persona, en particular de niños pequeños. Se recomienda mantener a los transeúntes a por lo menos 50 pies (15 metros) del área de trabajo.
8. No permita el accionamiento de este equipo por niños.
9. Use únicamente a la luz del día o con buena luz artificial.
10. No haga funcionar este equipo en un recinto cerrado. El escape del motor contiene monóxido de carbono, un veneno letal que no tiene olor, color ni sabor. No haga funcionar este equipo dentro o cerca de edificios, ventanas o equipos de aire acondicionado.
11. Siempre use un recipiente para combustible aprobado. No retire la tapa del combustible ni agregue combustible con el motor en marcha. Agregue combustible únicamente a un motor frío.
12. No llene el tanque de combustible en interiores. Mantenga las llamas vivas, chispas, materiales humeantes y otras fuentes de combustión alejados del combustible.
13. No opere la máquina sin las protecciones en su lugar. El incumplimiento de estas precauciones puede ocasionar lesiones graves o la muerte.
14. Mantenga todas las protecciones, deflectores y escudos protectores en buenas condiciones de funcionamiento.
15. Antes de inspeccionar o realizar tareas de servicio en cualquier parte de esta máquina, apáguela y asegúrese de que todas las partes móviles se hayan detenido por completo.
16. Verifique que todos los tornillos, tuercas, pernos y otros dispositivos de sujeción estén debidamente fijados y que funcionen correctamente antes de hacer arrancar la máquina.
17. No transporte ni traslade la máquina mientras la máquina está funcionando o en marcha.

## 1.4 SEGURIDAD EN LA OPERACIÓN

1. Mantenga las manos y los pies fuera del área de corte, mientras que la máquina está funcionando para evitar lesiones personales graves. Deténgase y deje que la máquina se detenga por completo antes de las obstrucciones de compensación.
2. Prepare su lugar de trabajo de modo de no poner al tráfico y al público en peligro. Ponga especial cuidado en proveer advertencias adecuadas.
3. Mantenga la máquina limpia de residuos y otras acumulaciones.
4. Cuando la fianza se dedica trimmer, trimmer del disco está girando. No trate de inspeccionar o reparar la máquina mientras el disco está girando trimmer.
5. Mantener un firme control de la máquina durante la operación para evitar que se vuelque. Siempre esté seguro de su equilibrio.
6. Apague la fuente de alimentación, y asegúrese de que todas las partes móviles han llegado a una parada completa antes de inspeccionar o reparar cualquier pieza de la máquina.



\*No use más de un ángulo de 15 °. Ángulos mayores pueden causar daños al equipo.

## 1.5 SEGURIDAD EN MANTENIMIENTO Y ALMACENAMIENTO

1. Antes de inspeccionar, realizar tareas de servicio, almacenar o cambiar un accesorio, apague la máquina y asegúrese de que todas las partes móviles se hayan detenido por completo.
2. Vuelva a colocar las calcomanías de seguridad faltantes y reemplace las calcomanías ilegibles. Consulte los números de parte en la sección de calcomanías de seguridad.
3. Deje que la máquina se enfríe antes de guardarla en un recinto.
4. Guarde la máquina fuera del alcance de niños y donde los vapores del combustible no alcancen una llama viva o chispa.
5. Nunca guarde esta máquina con combustible en el tanque de combustible dentro de un edificio en donde los vapores puedan entrar en contacto con una llama viva o chispa. Las fuentes de ignición pueden ser calentadores para agua caliente y ambientales, calderas, secadores de ropas, estufas, motores eléctricos, etc.
6. Drene el combustible y deshágase del mismo de manera segura cuando se guarde la máquina por períodos de tres meses o más.

## 1.6 UBICACIONES DE LAS CALCOMANÍAS DE SEGURIDAD

Conozca en detalle todas las calcomanías de seguridad y de operación de la máquina y los riesgos asociados. Consulte el manual del propietario del motor o póngase en contacto con el fabricante del motor para obtener instrucciones y calcomanías de seguridad del motor. Cerciórese de que todas las calcomanías de seguridad y calcomanías de operación de esta máquina se mantengan limpias y en buenas condiciones. Las calcomanías que necesiten ser reemplazadas deben ser aplicadas en sus ubicaciones originales.

### 1 PN YH653000230

No opere este equipo en la cercanía de transeúntes. No permita el accionamiento de este equipo por niños. Manténgase siempre alejado del área de descarga al operar esta máquina. Aleje su cara y cuerpo de las zonas de descarga.



Mantenga la cara y el cuerpo alejados de las zonas de descarga.

No acerque ropas, manos, ni parte del cuerpo a las partes móviles para evitar lesiones personales graves.

Mantenga la máquina libre de residuos y otras acumulaciones. La acumulación de residuos en la máquina puede ocasionar un incendio.

### 2 PN YH653000240

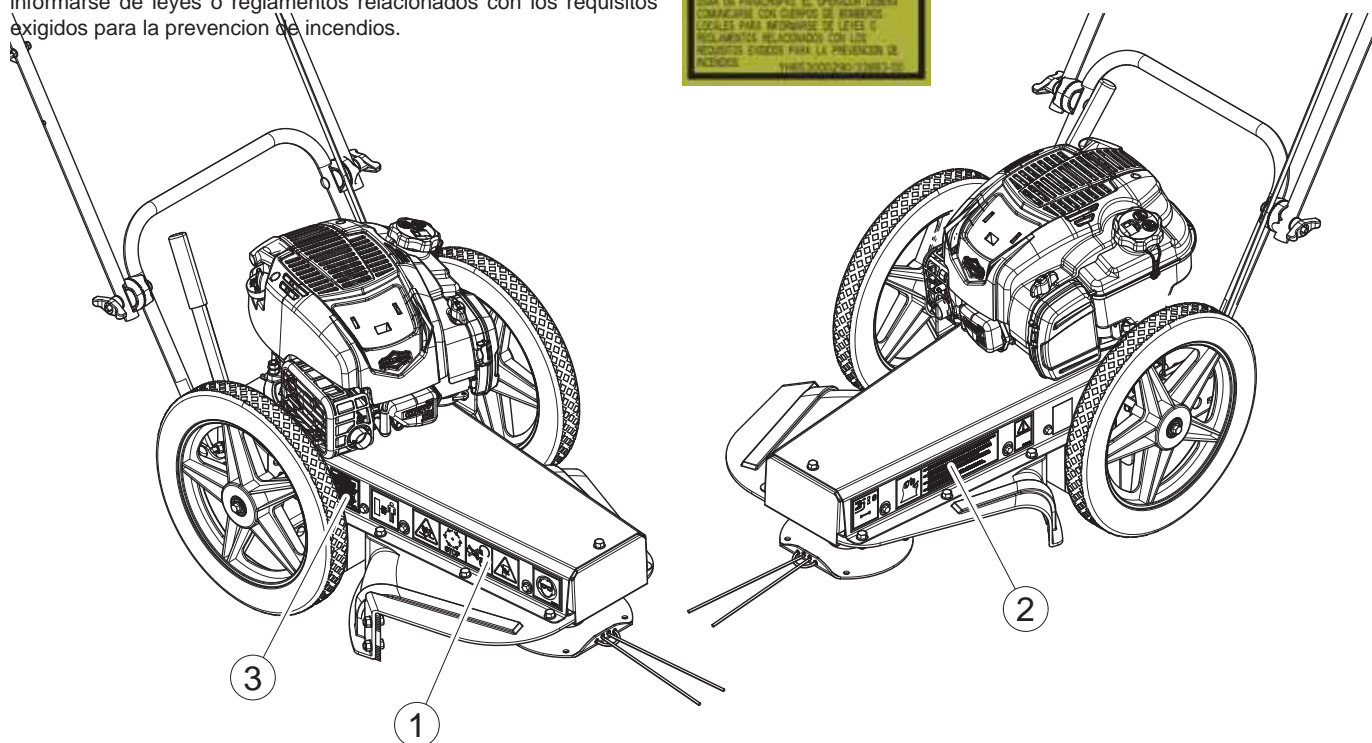
Antes de inspeccionar o realizar tareas de servicio en cualquier parte de esta máquina, apague la fuente de alimentación, desconecte el cable de la bujía retirándolo de la bujía y asegúrese de que todas las partes móviles se hayan detenido por completo.



Obtenga y use gafas de seguridad y use protectores para oídos en todo momento al operar esta máquina.

### 3 PN YH653000290

El uso de este equipo puede crear chispas capaces de iniciar incendios en vegetación seca. Podría ser necesario usar un parachispas. El operador deberá comunicarse con cuerpos de bomberos locales para informarse de leyes o reglamentos relacionados con los requisitos exigidos para la prevención de incendios.



# 2 MONTAJE

## Sección

### 2.1 AJUSTE EL MANILLAR

1. Abra la caja de envío y retire el material de embalaje.
2. Afloje las empuñaduras en T en el manillar. Levante la parte superior del manillar hasta la posición deseada. Apriete las empuñaduras en T.
3. Corte las dos esquinas de la caja de envío para que la bordeadora se pueda rodar al piso.
4. Instale la cuerda de retroceso en el bucle de retroceso en el manillar.
5. Gire el lazo de retroceso para hacer contacto con el manillar y capturar la cuerda de retroceso.

### 2.2 VERIFICACIÓN/AGREGADO DE ACEITE PARA MOTOR

Verifique el nivel de aceite y si fuese necesario llene el cárter del motor con el tipo y la cantidad de aceite especificados en el manual del propietario del motor.

### 2.3 LLENADO DEL TANQUE



#### ADVERTENCIA



La gasolina y los combustibles diésel son altamente inflamables y sus vapores son explosivos. A fin de impedir lesiones personales o daño a la propiedad:

Almacene combustible únicamente en contenedores aprobados, en edificios con buena ventilación, deshabitados, y lejos de chispas o llamas. Se recomienda un contenedor con una capacidad de 2 galones o menos con pico vertedor.

No llene el tanque de combustible mientras el motor está caliente o en marcha, dado que el combustible derramado podría incendiarse si entra en contacto con partes calientes o chispas del encendido. No arranque el motor si hay combustible derramado. Nunca use combustible como agente de limpieza.

**NO MEZCLE ACEITE CON COMBUSTIBLE**

Use únicamente los tipos de combustible que se recomiendan en el manual del propietario del motor.

Para agregar combustible:

1. Pare el motor, espere a que todas las piezas se detengan completamente, y desconecte el cable de la bujía. Deje que el motor y el silenciador se enfríen por lo menos durante tres minutos.
2. Limpie el área alrededor de la tapa de llenado de combustible y retírela.
3. Con un embudo limpio, llene el tanque de combustible hasta 1/2" (1,3 cm) por debajo del extremo inferior del cuello de llenado para dejar espacio para la eventual expansión de combustible. Instale la tapa de llenado de combustible firmemente y limpie la gasolina que se haya derramado.



# 3 FUNCIONES Y CONTROLES

## Sección

Al entender la operación de su máquina logrará resultados óptimos con su recortadora. Las siguientes descripciones definen las características y controles de su máquina.

**CONSULTE EL MANUAL DEL PROPIETARIO DEL MOTOR PARA OBTENER INSTRUCCIONES SOBRE LA OPERACIÓN DEL MOTOR.**

### 1. PALANCA DEL ESTRANGULADOR

Utilícese al arrancar un motor frío.

### 2. ASIDERO DE CONTROL DE LA BORDEADORA

Para iniciar la bordeadora, levante el asidero de control de la bordeadora situado debajo del manillar. Cuando motor está en marcha y el asidero de control de la bordeadora esta acoplado, el disco de la bordeadora gira. Suelte el asidero de control de la bordeadora para detenerla. Antes de proceder a inspeccionar o reparar la bordeadora, espere hasta que el disco de la misma haya dejado de girar.

### 3. ARRANCADOR DE RETROCESO

Se utiliza para arrancar el motor. Sujete la manija y tire lentamente de ella hasta que sienta resistencia. Después de sentir la resistencia, tire del cable rápidamente para encender el motor y evitar el contragolpe.

### 4. MANIJA DE CONTROL DE INCLINACIÓN

Se usa para regular el grado de inclinación para el cabezal y el cuerpo de recorte cuando se usa la función de Inclinación descentrada (OCT).

### 5. AJUSTE DEL MANILLAR/PLEGADO DEL MANILLAR

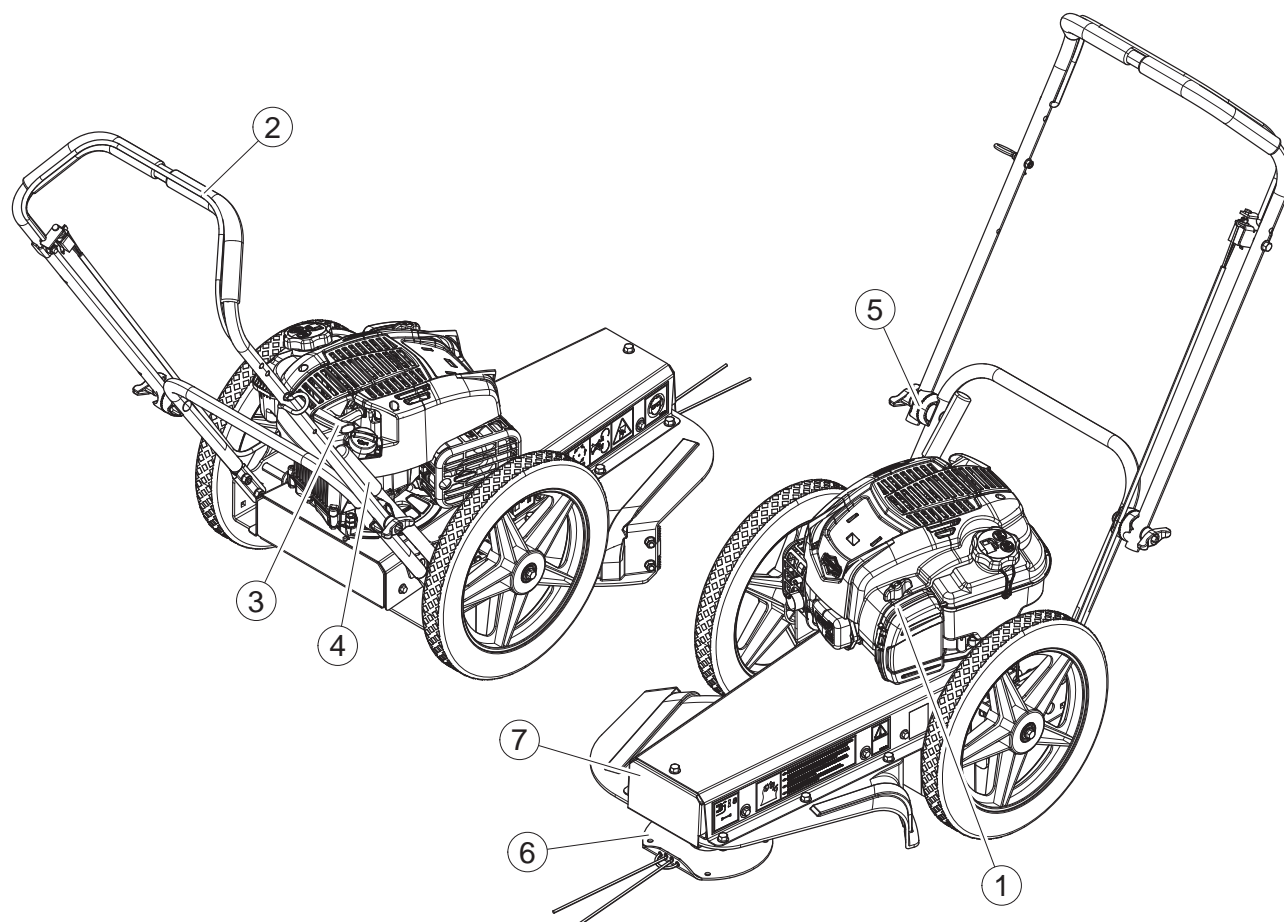
Afloje la empuñadura en T para ajustar la posición del manillar. Apriete la empuñadura en T en la ubicación deseada. El manillar se puede plegar sobre la bordeadora para su transporte o almacenamiento.

### 6. PLACA DE LA BORDEADORA

Conecte el hilo de la bordeadora.

### 7. CUBIERTA DELANTERA

La cubierta puede retirarse para: reemplazar una correa, voltear la placa de la bordeadora.



# 4 OPERACIÓN

## Sección

Como con cualquier otra pieza de equipo eléctrico de exteriores, aprender a conocer el funcionamiento de su máquina y conocer las mejores técnicas para trabajos en particular es importante para obtener un buen rendimiento general.

### OPERACIÓN DE RECORTE

La operación de recorte se produce debajo del cuerpo del dispositivo de recorte, en el que se monta la tanza de recorte a un disco giratorio. El material que se recorta es expulsado fuera de los bordes del dispositivo de recorte.

#### ADVERTENCIA

Antes de poner en funcionamiento su máquina, asegúrese de leer y entender todas las instrucciones de seguridad, controles y de operación en este manual del propietario/operador y en su máquina. No seguir estas instrucciones puede ocasionar lesiones graves o daño a la propiedad.

### 4.1 ARRANQUE DE LA CORTADORA DE CÉSPED

Antes de comenzar, traslade la máquina a un área al aire libre, despejada y plana. No la opere si hay otras personas cerca. Asegúrese de que el motor está limpio y que no se han acumulado residuos en el motor o alrededor del silenciador.

1. Verifique el nivel de aceite del motor antes de comenzar (Consulte el Manual del Motor).
2. Gire la palanca del estrangulador a la posición abierta (ON).
3. Levante el asidero de control hacia el manillar.
4. Tome la manilla de la cuerda del arrancador de retroceso y tire lentamente hasta sentir resistencia, luego jale rápidamente para arrancar el motor y evitar la tensión del retroceso. Repita si fuera necesario.
5. Permita que el motor se caliente y cierre el estrangulador (posición OFF).

### 4.2 PARADA DE LA CORTADORA DE CÉSPED

Luego suelte la varilla de control de recorte.

#### ADVERTENCIA

Espere hasta que la máquina se detenga por completo antes de realizar una inspección o servicio. Se dará cuenta que la máquina se ha detenido por completo cuando el disco de recorte deje de girar.

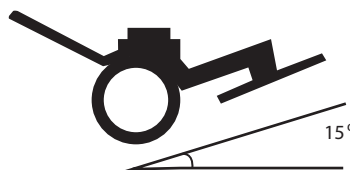
### 4.3 GUÍA DE RECORTE

La recortadora sobre ruedas ha sido diseñada para recortar, cortar y hacer bordes. Las siguientes directivas le pueden ayudar a comenzar.

1. Haga que la unidad marche a la máxima velocidad de operación antes de comenzar a recortar, cortar o hacer bordes.
2. Para comenzar a recortar, arranque el motor, coloque el cabezal de recorte sobre el suelo y comience a caminar lentamente.
3. Las ruedas deben permanecer sobre el suelo en todo momento para evitar una presión indebida sobre el cabezal de recorte.
4. El radio de corte depende de la cantidad de tanza de corte usada y el tipo de aplicación.
5. Para situaciones difíciles y para hacer bordes, se recomienda usar un radio de corte menor que el radio pleno.
6. Si va a cortar el césped en un área abierta grande, corte en dirección contraria a las agujas del reloj, trabajando desde afuera hacia el centro. La hierba cortada se descarga hacia el lado derecho de la bordeadora.

#### ADVERTENCIA

Inspeccione y limpie el motor antes de cada uso. La acumulación de residuos alrededor del silenciador puede causar un incendio.



\* No use más de un ángulo de 15°. Ángulos mayores pueden causar daños al equipo.

## 4.4 FUNCIÓN DE INCLINACIÓN DESCENTRADA (OCT)

Esta función OCT permite recortar en lugares de difícil acceso. Esta función permite que el cabezal y el cuerpo de recorte se inclinen para recortar cerca del suelo. El grado de inclinación depende del ajuste seleccionado en la manija de ajuste de altura situada a la derecha de la recortadora sobre ruedas. Para poner en marcha la función OCT, simplemente mueva la manija hacia uno de los cuatro ajustes disponibles.

1. **Nivel:** La manija de regulación de altura está en la posición más cercana a la parte trasera del dispositivo de recorte.
3. **10,3 grados:** La manija de regulación de altura está en la tercera posición a partir de la parte trasera del dispositivo de recorte.



Figura 4.1, Nivel



Figura 4.3, Tercera posición

2. **5,4 grados:** La manija de regulación de altura está en la segunda posición a partir de la parte trasera del dispositivo de recorte.



Figura 4.2, Segunda posición

4. **13 grados:** La manija de regulación de altura está en la posición más cercana a la parte delantera de la máquina para dar inclinación máxima.



Figura 4.4, Más cercana al frente

# 5 SERVICIO Y MANTENIMIENTO

## Sección

### 5.1 PROGRAMA DE MANTENIMIENTO

Se deberán verificar los elementos enumerados en el programa de servicio y mantenimiento, y si fuese necesario, se deberá llevar a cabo una acción correctiva. Este programa está dirigido a las unidades que operan bajo condiciones normales. Si la unidad está operando en condiciones de uso adversas o severas puede ser necesario verificar y hacer servicios más frecuentes a los elementos.

**CONSULTE EL MANUAL DEL PROPIETARIO DEL MOTOR PARA OBTENER MÁS INFORMACIÓN SOBRE MANTENIMIENTO Y SOLUCIÓN DE PROBLEMAS.**

PROGRAMA DE SERVICIO Y MANTENIMIENTO						
COMPONENTE	MANTENIMIENTO REQUERIDO	FRECUENCIA				
		CONSULTE EL MANUAL DEL OPERADOR DEL MOTOR	ANTES DE CADA USO	DESPUÉS DEL PRIMER USO	CADA 8 HORAS	CADA AÑO
Purificador de aire	Verificar y limpiar (1)	•				
Aceite para motor	Cambiar (1)	•				
Bujía	Verificar estado y luz	•				
Tanque de combustible	Verificar/llenar		•			
Toda tuerca y perno interno y externo	Verificar ajuste		•			
Recubrimientos refrigerantes	Limpiar (1)		•	•		
Correa	Verificar ajuste			•		
Parachispas*	Limpiar				•	
Toda la máquina	Limpiar				•	
Accionamiento de arranque	Mantenimiento					•

(1) Realizar con mayor frecuencia en presencia de polvo, suciedad o condiciones de trabajo muy exigentes.

\*Si está equipado

Cambie el aceite después de las primeras 5 a 8 horas de uso, después cada 50 horas o cada tres meses.

**Tal como lo estipula la garantía limitada, el incumplimiento de realizar un mantenimiento normal por parte del propietario puede anular la garantía de la máquina.**

### 5.2 MANTENIMIENTO DEL MOTOR

El mantenimiento es vital para proteger la vida del motor. Limpie el motor periódicamente para quitar pastos y acumulaciones. El manual del propietario informa sobre la limpieza del filtro de aire y el cambio de aceite. Realice tareas de servicio en el motor según el programa de mantenimiento indicado en el manual.

Recuerde inspeccionar y limpiar las aletas de enfriamiento del motor según se requiera.



#### ADVERTENCIA



A intervalos regulares retire el pasto y las acumulaciones alojados en el motor. Ante la presencia de polvo, será necesario realizar limpiezas frecuentes.

⚠ **ADVERTENCIA** ⚠

ANTES DE INSPECCIONAR O REALIZAR TAREAS DE SERVICIO EN CUALQUIER PARTE DE ESTA MÁQUINA, APAGUE LA FUENTE DE ALIMENTACIÓN, DESCONECTE EL CABLE DE LA BUJÍA RETIRÁNDOLO DE LA BUJÍA Y ASEGÚRESE DE QUE TODAS LAS PARTES MÓVILES SE HAYAN DETENIDO POR COMPLETO.

### 5.3 REGULACIÓN DE ALTURA DE CORTE

La altura de corte estándar es 2-3/4" (7 cm). Se puede regular la altura de corte a aproximadamente 3/4" (1,9 cm) dando vuelta el disco del cabezal de recorte. Regule la altura de corte según los pasos que se indican a continuación.

1. Retire la cubierta frontal.
2. Gire la bola de segar para alinear las partes planas del eje de la bordeadora con la abertura.
3. Utilice una llave ajustable o una llave de 9/16" (14 mm) para sujetar el eje de la bordeadora. Gírela hasta que la llave se apoye contra el cuerpo de la bordeadora.
4. Para retirarla, gire la bola de segar hacia la izquierda (viéndola desde abajo). Si es difícil sacar la bola de segar, utilice una llave de deslizamiento o una llave de estilo de filtro de aceite. Girar la placa de la bordeadora también puede ayudar a aflojar la bola de segar.
5. Voltee el disco de la bordeadora y vuelva a colocarlo en el cabezal de la bordeadora.

6. Vuelva a instalar la bola de segar y gírela en el sentido de las agujas del reloj (viéndola desde abajo) para apretarla.

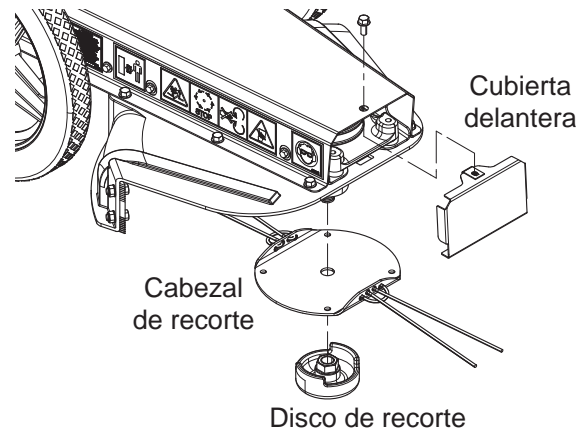


Figura 5.1, Regulación de altura de corte

ESPAÑOL

### 5.4 REEMPLAZO DE LA TANZA DE CORTE

La tanza de corte viene en dos grosores, 155 mil (estándar) y 175 mil (de servicio pesado). El tipo seleccionado de tanza depende de las condiciones y del material que se corte.

La tanza de corte se puede enrollar de varias maneras. Consulte los ejemplos en las Figuras 5.2, 5.3, y 5.4. La elección del método de enrollar y del grosor de la tanza de corte dependen básicamente de la preferencia del operador.

Para enrollar la tanza de corte en la configuración estándar, siga los siguientes pasos.

1. Coloque la tanza de corte a través del segundo orificio a cada extremo del cabezal de recorte dejando aproximadamente 8" (20,3 cm) para la superficie de corte. La longitud total recomendada de la tanza de corte es 20" (50,8 cm).
2. Continúe enhebrando la tanza de corte a través del primer orificio situado junto al segundo orificio usado en el Paso 1. Tire de la tanza de corte.
3. Haga un lazo con la tanza de corte y colóquelo a través del primer orificio en el extremo opuesto del cabezal de recorte.
4. Páselo a través del segundo orificio restante y tire bien de la tanza de corte. Las tanzas de corte en los dos orificios del medio deben tener la misma longitud. Si la longitud es distinta, corte largos parejos.
5. Método opcional. Ate un nudo en el medio del hilo. Inserte los extremos sueltos a través de los orificios de la placa de la bordeadora.

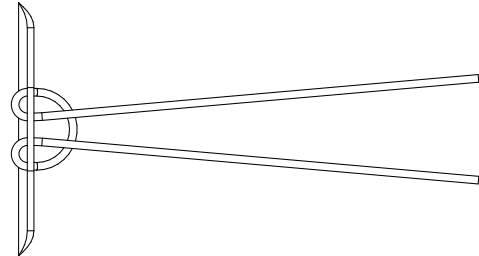


Figura 5.2, Enrollado de la tanza de corte

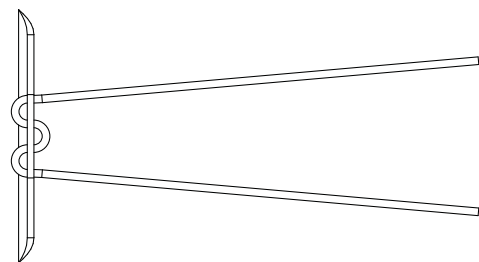


Figura 5.3, Método de enrollado opcional

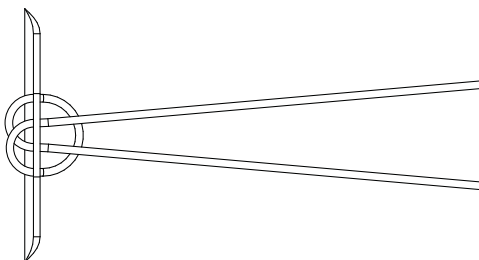


Figura 5.4, Método de enrollado opcional

**⚠ ADVERTENCIA ⚠**

ANTES DE INSPECCIONAR O REALIZAR TAREAS DE SERVICIO EN CUALQUIER PARTE DE ESTA MÁQUINA, APAGUE LA FUENTE DE ALIMENTACIÓN, DESCONECTE EL CABLE DE LA BUJÍA RETIRÁNDOLO DE LA BUJÍA Y ASEGÚRESE DE QUE TODAS LAS PARTES MÓVILES SE HAYAN DETENIDO POR COMPLETO.

**5.5 REVISIÓN, TENSADO Y REEMPLAZO DE LA CORREA DE TRANSMISIÓN**

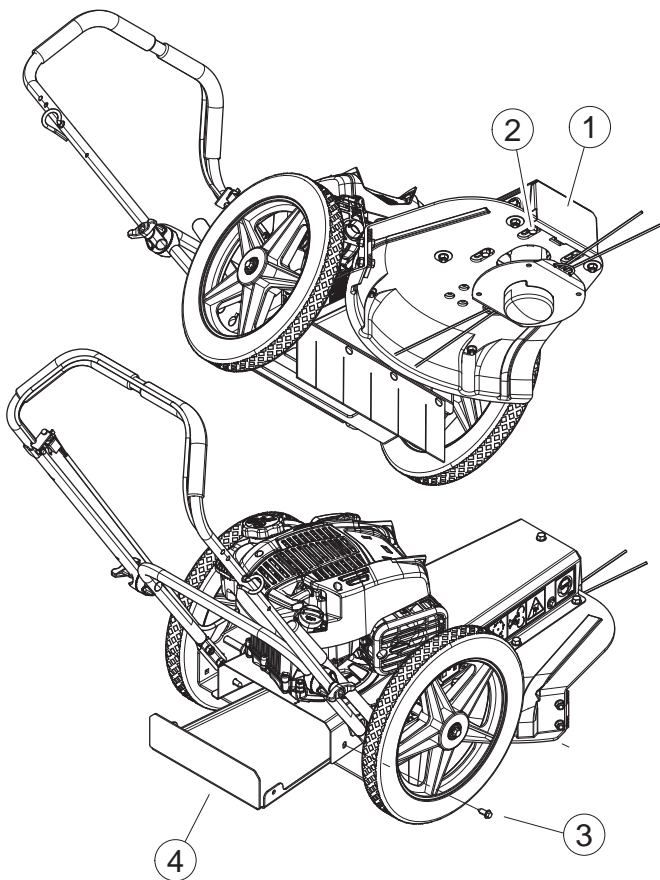
Compruebe el estado de la correa de transmisión anualmente o tras 20 horas de operación, lo que ocurra primero. Si la correa está agrietada, deshilachada o desgastada, reemplácela siguiendo estos pasos:

1. Apague el motor. Desconecte el cable de la bujía.
2. Retire la cubierta delantera (1).
3. Afloje los cuatro pernos (2) que sujetan el cubo del husillo al bastidor inferior de la bordeadora. Esto permitirá que el cubo del husillo con la polea de la bordeadora fijada al mismo se mueva libremente.
4. Retire los cuatro tornillos (3) en los lados del cuerpo debajo del motor. Retire la placa (5) para exponer la correa.
5. Retire la correa gastada o rota.
6. Instale la correa nueva desde el frente hacia atrás. Alimente la correa por encima de la polea de la bordeadora delantera y por debajo de la polea trasera.

7. Instale la placa (5) con cuatro tornillos (3).
8. Mueva el cubo del husillo hacia adelante para aplicar tensión a la correa. Apriete los cuatro pernos (2).
9. Vuelva a colocar la cubierta frontal en su lugar.

**NOTA**

- Una correa demasiado apretada dañará los cojinetes/eje del husillo/correa.
- Una correa demasiado suelta se deslizará y causará una falla prematura.
- El motor debe estar bajo carga mientras se esté trabajando en césped grueso, de lo contrario la correa podría desprenderse.



# 6 SOLUCIÓN DE PROBLEMAS

## Sección

Antes de realizar cualquiera de las correcciones en esta tabla para solución de problemas, consulte la información adecuada contenida en este manual con respecto a las precauciones de seguridad y a los procedimientos de operación o mantenimiento. Póngase en contacto con su concesionario más cercano o con la fábrica acerca de problemas de servicio de la máquina.

PROBLEMA	CAUSA POSIBLE	SOLUCIÓN
El disco de recorte no gira	Correa rotas o dañadas	Reemplace las correas
	Husillo roto	Reemplace el husillo
	Cojinetes con fallas	Reemplace los cojinetes
El corte se torna lento o desaparejo	La tanza de corte es demasiado débil	Reemplace con tanza de corte más gruesa (0,175)
	El césped crecido es demasiado grueso o pesado	Reduzca el área a recortar a la mitad o levante el cabezal de recorte del suelo
	El motor no marcha a toda velocidad	Acelere el motor a plena regulación
El dispositivo de recorte requiere potencia excesiva o se traba	La tanza de corte es demasiado larga	Reduzca la longitud de la tanza de corte
	El césped crecido es demasiado grueso o pesado	Reduzca el área a recortar a la mitad o levante levemente el cabezal de recorte del suelo
	La correa está demasiado ajustada	Mueva el montaje de cubo del husillo hacia la parte trasera del dispositivo de recorte
La correa de accionamiento chirria o humea	La correa de accionamiento está suelta o gastada	Reemplace la correa de accionamiento
	La polea está gastada o dañada	Reemplace la polea
El motor no arranca o es difícil arrancarlo	El tanque de gasolina está vacío	Llene el tanque de gasolina
	El cable de la bujía está desconectado	Conecte el cable suelto a la bujía
	La bujía está fallada	Reemplace la bujía
	El tubo de gasolina está obstruido	Retire el tubo de gasolina del carburador y verifique si hay una obstrucción. Drene el tanque de gasolina y vuelva a llenar con gasolina nueva.
	Gasolina sucia, vieja o contaminada con agua	Drene el tanque y llénelo con gasolina nueva
	El motor está ahogado	Ponga el control del regulador en la posición de marcha y accione el arranque del motor varias veces para eliminar el exceso de gasolina.
	El purificador de aire o las aletas de enfriamiento del motor están sucios u obstruidos	Limpie o reemplace el purificador de aire. Limpie las aletas de enfriamiento y la zona de refuerzo del motor.
	La varilla de control de recorte no está enganchada	Enganche la varilla de control de recorte
	Conexión del mazo de cables	Compruebe si el mazo de cables está suelto o si hay un cable roto
El motor funciona, pero se apaga o no se acelera correctamente	Filtro de aire sucio	Limpia o reemplazar
	Filtro de combustible sucio	Reemplazar
	Respiradero del combustible taponado	Limpia o reemplazar
	Bujía sucia/desgastada	Limpia y ajustar o reemplazar
	Vibración del carburador	Ajustar
	Sistema de enfriamiento sucio/taponado	Limpia
	Parachispas* taponado	Reemplazar
La correa de accionamiento gira o se sale de las poleas	La polea no está alineada	Alinee las poleas
	La correa no tiene la tensión adecuada	Aplique a la correa 70 libras de fuerza de tensión
	El cojinete de husillo está fallado	Reemplace el cojinete

\*Si está equipado

ESPAÑOL

# 7 ESPECIFICACIONES

## Sección

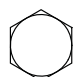


DESCRIPCIÓN	INGLÉS	MÉTRICO
Motor	Briggs & Stratton® 675 EXi Series 163cc	
Accionamiento	Empujar (para inclinación)	
Capacidad de combustible	0,8 cuartos (0,2 galón)	
Arranque	Retroceso	
Ancho de corte	24"	61 cm
Altura de corte	1-7/8" y 2-3/4"	4,8 cm y 7 cm
Tanza de corte de nylon	20" 0,155" Cross-Fire®	50,8 cm 0,39 cm Cross-Fire
Soporte de rueda	Cojinetes de bola	
Desplazamiento	2" a la izquierda	5 cm a la izquierda
Control nivel de vibración	< 2,5 m/s <sup>2</sup>	
Nivel de ruido	99 dB	
Peso	84 libras	38,1 kg
Dimensiones de la máquina	45" x 23" x 43"	114 cm x 58 cm x 109 cm
Equipado con Supresor de Chispas*	No	

\* Si se requiere un supresor de chispas, este debe cumplir con las especificaciones y requisitos de desempeño de las leyes y regulaciones locales, estatales y federales. El supresor de chispas está disponible en los distribuidores de servicio autorizados







## 7.1 PAR DE TORSIÓN DE PERNOS

Las tablas que siguen a continuación son para referencia solamente y su uso es totalmente voluntario, a menos que se aclare lo contrario. El uso del contenido de la tabla para cualquier propósito corre por cuenta y riesgo de quien lo hace y cualquier pérdida o daño producido a partir del uso de esta información es responsabilidad de quien lo hace.

Grado SAE y marcas en la cabeza	SAE 2	SAE 5	SAE 8	Diámetro de perno
				

DIÁMETRO DE PERNO (A)	PAR DE TORSIÓN DEL PERNO*					
	SAE 2		SAE 5		SAE 8	
	NM	LB-PIE	NM	LB-PIE	NM	LB-PIE
1/4".	7,5	5,5	11	8	16	12
5/16".	15	11	23	17	34	25
3/8".	27	20	41	30	61	45
7/16".	41	30	68	50	95	70
1/2".	68	50	102	75	149	110
9/16".	97	70	149	110	203	150
5/8".	122	90	203	150	312	230
3/4".	217	160	353	260	515	380
7/8".	230	170	542	400	814	600
1".	298	220	786	580	1220	900
1-1/8".	407	300	1085	800	1736	1280
1-1/4".	570	420	2631	1940	2468	1820

Cálculo métrico de la medida y marcas en la cabeza	4,8	8,8	10,9	12,9	Diámetro de perno
					

DIÁMETRO DE PERNO (A)	PAR DE TORSIÓN DEL PERNO*							
	4,8		8,8		10,9		12,9	
	NM	LB-PIE	NM	LB-PIE	NM	LB-PIE	NM	LB-PIE
M3	0,5	0,4	-	-	-	-	-	-
M4	3	2,2	-	-	-	-	-	-
M5	5	4	-	-	-	-	-	-
M6	6	4,5	11	8,5	17	12	19	14,5
M8	15	11	28	20	40	30	47	35
M10	29	21	55	40	80	60	95	70
M12	50	37	95	70	140	105	165	120
M14	80	60	150	110	225	165	260	190
M16	125	92	240	175	350	255	400	300
M18	175	125	330	250	475	350	560	410
M20	240	180	475	350	675	500	800	580
M22	330	250	650	475	925	675	1075	800
M24	425	310	825	600	1150	850	1350	1000
M27	625	450	1200	875	1700	1250	2000	1500

\*El valor del par de torsión para pernos o tornillos de capuchón se identifica por las marcas en las cabezas.

Las cifras del par de torsión indicadas arriba son válidas para roscas y cabezas no engrasadas o no aceitadas a menos que se especifique lo contrario. Por lo tanto, no engrase o aceite pernos o tornillos de capuchón a menos que se especifique lo contrario en este manual. Al usar elementos de sujeción, aumente el valor del par de torsión en 5%.

# 8 OPCIONES

## Sección

---

NÚMERO DE PIEZA	DESCRIPCIÓN
102225175	0,155 DIA. CROSS-FIRE®, (Tiras de 50 unidades / 21 ")
311155066	0,155 DIA. CROSS-FIRE, 1 Libra
314155056	0,155 DIA. CROSS-FIRE, 3 Libra
102225175	0,175 DIA. CROSS-FIRE, (Tiras de 50 unidades / 21 ")
311175067	0,175 DIA. CROSS-FIRE, 1 LIBRA
314175057	0,175 DIA. CROSS-FIRE, 3 Libra
99944400001	KIT DE LA CABEZAL DE RECORTE SIN CHISPA
99944400000	JEFE PRO-LINA



*Jefe pro-lina, 99944400000*

# 9

# REGISTRO DE PRODUCTO

## Sección

---

### REGISTRO DE PRODUCTO

#### Gracias por elegir ECHO Power Equipment

Por favor, ingrese a sitio we <http://www.echo-usa.com/Warranty/Register-Your-ECHO> para registrar su nuevo producto en línea. Es RAPIDO y FACIL! NOTA: Su información nunca será vendida o mal utilizada por ECHO, Incorporado. El registro de su compra nos permite comunicarnos con usted en el caso de una actualización de servicio, o el retiro del producto del mercado, y verificar la propiedad de su producto para consideraciones de garantía.

Si no tiene acceso al Internet, usted puede completar el siguiente formulario y enviarlo a:

*ECHO Incorporated, Product Registration, PO Box 1139, Lake Zurich IL 60047.*



# PRODUCT REGISTRATION CARD : TARJETA DE REGISTRO : CARTE D'ENREGISTREMENT DU PRODUIT

**ONLINE OPTION:** Register online and save a stamp! You will be alerted of product updates and/or be sent new ECHO product information and special offers. Simply go to: [www.echo-usa.com](http://www.echo-usa.com)

**OPCIÓN POR INTERNET:** ¡Regístrese en la página web y ahorre una estampilla! Le alertarán sobre actualizaciones del producto y/o se le enviara información sobre los nuevos productos ECHO y las ofertas especiales. Simplemente visite: [www.echo-usa.com](http://www.echo-usa.com)

**OPTION EN LIGNE :** Enregistrer en ligne et épargner un timbre! Vous serez informé sur les nouveaux produits ECHO et les mises à jour de produit ainsi que les offres spéciales. Simplement visitez le: [www.echo-usa.com](http://www.echo-usa.com)

Please Print : Por Favor Escriba Con Letra De Molde : En Lettre Carré S.V.P.

Confidential: Information provided will not be shared or sold

Purchaser's Name : Nombre del Comprador : Nom de l'acheteur		
Address : Direccion : Adresse		
City : Ciudad : Ville	State : Estado : Province	Zip Code : Código Postal : Code Postal
E-Mail Address : Direccion De Correo Electrónico : Courrier Electronique		
Phone Number : Número De Teléfono : Téléphone		
		Date of Purchase : Fecha de la Compra : Date de l'achat
Where Purchased : Nombre del Almacén donde fue Comprado : Lieu d'achat		
Model Number : Numero del Modelo: No. de modèle		Serial Number : Numero de Serie : No. de série

Registering your purchase enables us to contact you in the unlikely event of a service update or product recall and verifies your ownership in the event of loss. El registrar su compra nos permite estar en contacto con usted en caso de cualquier evento como el aviso de servicio o la revocación del producto y verificación de propiedad en caso de robo o pérdida. L'enregistrement de votre achat nous permettra de vous contacter dans le cas improbable de modifications des instructions d'entretien ou de rappel du produit et vérifier que vous êtes le propriétaire en cas de vol ou de perte.

Primary use of tool:  Professional  Homeowner  Rental Equip.  
 Uso primario de la herramienta:  Profesional  Dueño de casa  Alquiler

Usage principal:  Professionnel  Residential  Location

Do you wish to receive periodic ECHO product information and special offers by e-mail?  Yes  No

¿Desea usted recibir información periódica y ofertas especiales por correo electrónico sobre el producto ECHO?  Yes  No

Souhaitez-vous recevoir périodiquement de l'information sur les produits ECHO et les offres spéciales par courrier électronique?  Oui  Non

Did you visit the ECHO website before purchasing your product?  
 Yes  No

Visitó usted la página web ECHO antes de comprar su producto?  
 Si  No

Avez-vous visité le site d'ECHO avant de procurer votre produit?  
 Oui  Non

What factor(s) most influenced your purchase?  
 Performance  Price  Dealer  
 Reliability  Prior Experience  Quality  
 Friend/Family  Brand  Warranty  
 ¿Qué factor(es) influyó más en su compra?  
 Funcionamiento  Precio  Distribuidor  
 Confiabilidad  Experiencia Anterior  Calidad  
 Amigo/Familia  Marca  Garantía

Quel facteur (facteurs) vous a influencé le plus?  
 Performance  Prix  Marchand  
 Fiabilité  Expérience  Qualité  
 Ami/Famille  Marque  Garantie

ECHO INC., 400 Oakwood Rd., Lake Zurich, IL 60047  
 1.800.432.ECHO WWW.ECHO-USA.COM

X7572270206 02-2012



**ECHO INCORPORATED**

400 Oakwood Road  
Lake Zurich, IL 60047  
[www.echo-usa.com](http://www.echo-usa.com)



# MANUEL DE L'UTILISATEUR DE LA TONDEUSE À ROUE

## WT-1610T



**AVERTISSEMENT**



Lisez et comprenez toute la documentation incluse avant utilisation. Si vous ne lisez pas les manuels, vous pourriez être gravement blessé.

Remarque: ce produit est conforme aux normes CAN ICES-2 / NMB-2.



**AVERTISSEMENT**



*Le système d'échappement du moteur de ce produit contient des produits chimiques reconnus par l'État de Californie pour causer le cancer, des anomalies congénitales ou d'autres troubles de la reproduction.*

# Avant de commencer

---

## CHER CLIENT DE ECHO®

Merci d'avoir acheté un produit ECHO. La gamme ECHO est conçue, testée et fabriquée pour offrir des années de performances fiables. Pour que votre machine continue de fonctionner à son efficacité maximale, elle doit être correctement ajustée et des inspections régulières doivent être effectuées. Les pages suivantes vous aideront dans le fonctionnement et la maintenance de votre machine. Lisez et comprenez ce manuel avant d'utiliser votre machine.

### Assistance produit grand public ECHO

Si vous avez besoin d'aide ou avez des questions concernant l'application, le fonctionnement ou la maintenance de ce produit, veuillez appeler le service d'assistance aux produits grand public d'ECHO au 1-800-432-ECHO (3246) de 8h00 à 17h00. (Heure standard centrale) du lundi au vendredi. Avant d'appeler, connaissez le modèle et le numéro de série de votre appareil.

Ce document est basé sur les informations disponibles au moment de la publication. ECHO améliore et développe continuellement de nouveaux équipements. Ce faisant, nous nous réservons le droit d'apporter des modifications ou d'ajouter des améliorations à notre produit sans obligation pour l'équipement précédemment vendu.

### Enregistrement du produit

Enregistrez votre équipement ECHO en ligne sur [www.echo-usa.com](http://www.echo-usa.com) ou en remplissant la fiche d'enregistrement du produit incluse dans ce manuel. L'enregistrement de votre produit confirme la couverture de la garantie et fournit un lien direct vers ECHO si nous jugeons nécessaire de vous contacter.

---

## UN SERVICE

L'entretien de ce produit pendant la période de garantie doit être effectué par un revendeur de service ECHO agréé. Pour connaître le nom et l'adresse du revendeur agréé ECHO le plus proche de chez vous, adressez-vous à votre revendeur ou appelez le: 1-800-432-ECHO (3246). Les informations sur les distributeurs sont également disponibles sur notre site Web [www.echo-usa.com](http://www.echo-usa.com). Lors de la présentation de votre appareil pour un service / réparation sous garantie, une preuve d'achat est requise.

## PARA POUR L'ENTRETIEN DU MOTEUR OU DES PIÈCES

Pour les pièces ou l'entretien du moteur, contactez le revendeur de moteurs agréé le plus proche. ECHO ne gère pas les pièces, les réparations ou les garanties pour les moteurs.

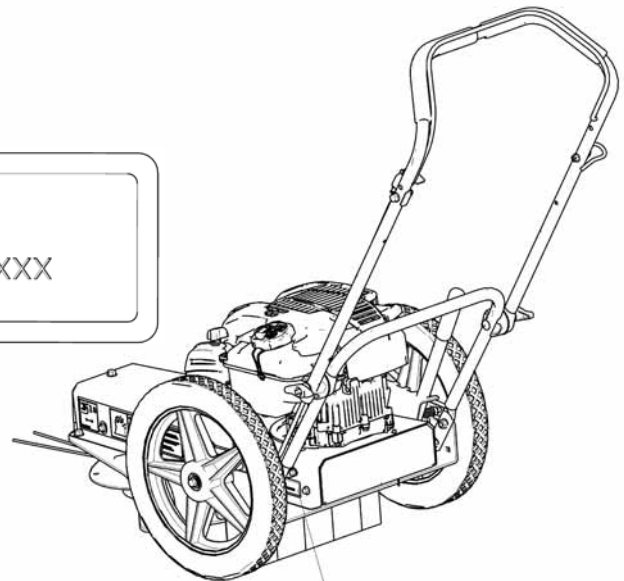
## PIÈCES / NUMÉRO DE SÉRIE

Les pièces et assemblages ECHO d'origine pour vos produits ECHO sont disponibles uniquement auprès d'un revendeur ECHO agréé. Lorsque vous devez acheter des pièces, ayez toujours avec vous le numéro de modèle et le numéro de série de l'unité. Pour référence future, notez-les dans l'espace prévu ci-dessous.

Modèle No. \_\_\_\_\_

Numéro de série. \_\_\_\_\_

ECHO INCORPORATED  
MODEL NUMBER: WT-1610T  
SERIAL NUMBER: 110WTBXXXXXX  
MANUFACTURED IN U.S.A.



Serial Number Location

---

**LITTÉRATURE SUPPLÉMENTAIRE**  
EN PLUS DE TROUVER DES  
INFORMATIONS EN LIGNE, DES  
INFORMATIONS SONT DISPONIBLES  
AUPRÈS DE VOTRE REVENDEUR  
AGRÉÉ ECHO, QUI S'OPPOSE AU  
CONTACT AVEC ECHO INC.  
400 OAKWOOD ROAD  
LAKE ZURICH, IL 60047  
1-800-432-ECHO (3246)

## **GARANTIE**

### **Énoncé de la garantie limitée**

ECHO Incorporated, garantit à l'acheteur original que ce produits d'extérieur de marque ECHO® est exempt de tous vices de matériaux ou de fabrication et s'engage à réparer ou remplacer gratuitement, à son choix, tout produit s'avérant défectueux au cours des périodes indiquées ci-dessous, à compter de la date d'achat.

- 3 ans consommateur
- 1 an commerciale
- 90 jours pour une utilisation en location
- 90 jours accessoires et pièces de rechange

Cette garantie n'est offerte qu'à l'acheteur original et entre en vigueur à la date de l'achat original.

Toutes les pièces de ce produit qui, selon un jugement raisonnable de ECHO Incorporated s'avèrent être un défaut de fabrication ou de main-d'oeuvre sera réparé ou remplacé sans frais pour les pièces et la main-d'oeuvre par un concessionnaire ECHO autorisé. Les pièces de rechange et accessoires remplacés dans le cadre de cette garantie sont garantie pour le reste de la période de garantie initiale. Le produit, y compris toutes les pièces défectueuses devront être retournés à un concessionnaire ECHO autorisé, avant expiration de la période de garantie. Les frais d'expédition au concessionnaire pour les travaux sous garantie et de retour au propriétaire du produit seront assumés par le propriétaire. En ce qui concerne les réclamations en garantie, la responsabilité ECHO Incorporated se limitera à la réparation ou au remplacement des produits défectueux et aucune revendication de rupture de garantie ne pourra causer l'annulation ou la résiliation du contrat de vente d'un produits d'extérieur de marque ECHO quel qu'il soit. Une preuve d'achat sera exigée par le centre de réparation, afin de valider toute réclamation au titre de la garantie. Toutes les réparations sous garantie devront être effectuées par un concessionnaire ECHO autorisé.

Cette garantie ne couvre pas les produits ayant fait l'objet d'un usage abusif ou négligent, d'un manque d'entretien, ayant été impliqués dans un accident ou employé de façon contraire aux instructions du Manuel d'utilisation. Cette garantie ne couvre ni les dommages aux produits résultant d'un manque d'entretien, ni les produits qui ont été altérés ou modifiés. La garantie exclut les réparations rendues nécessaires par l'usure normale ou l'utilisation de pièces et accessoires incompatibles avec le produits d'extérieur de marque ECHO ou nuisibles à son bon fonctionnement, ses performances ou sa durabilité. En outre, cette garanti exclut l'usure des articles normaux tels que, mais sans s'y limiter :

A. Mises au point – filtres à air, filtres à carburant, carburateurs, bougies d'allumage, filtres, vidanges d'huile

B. Composants sujets à l'usure - Corde de démarrage à rappel, roues, roulements, courroies, poulies, lames de déchiqueteuse, fléaux ou couteaux de déchiqueteuse.

C. IMPORTANT : Certains composants n'étant pas couverts par cette garantie peuvent être couverts par une garantie distincte émise par le fabricant du moteur. veuillez consulter la garantie du fabricant du moteur (si c'est le cas) fournie avec ce produit pour en savoir plus. ECHO Incorporated se réserve le droit de modifier ou d'améliorer la conception de ce produit et n'assume aucune obligation de modification pour les produits fabriqués antérieurement.

La durée de toutes les garanties implicites ne Saurait en aucun cas excéder la période de Garantie déclarée. Par conséquent, toutes les Garanties implicites, y compris les garanties de Valeur marchande ou d'adéquation à un usage Particulier ou autres seront invalidées à l'expir Autorisé ation de la période de garantie appropriée De trois ans, un ans o quatre-vingt dix jours. Les Obligations de echo incorporated dans le cadre De cette garantie se limitent exclusivement à La réparation ou au remplacement des pièces Défectueuses et echo incorporated n'assume Ou n'autorise quiconque à assumer quelque Autre obligation que ce soit. Certains états et Provinces ne permettant pas de limitation de Durée des garanties implicites, les restrictions Ci-dessous peuvent ne pas être applicables. Echo Incorporated décline toute responsabilité en ce Qui concerne les dommages directs, indirects ou Autres, y compris, mais sans s'y limiter, les frais De retour de produits à un centre de réparations Autorisé pour les produits d'extérieur de marque Echo et de renvoi au propriétaire, de déplacement D'un technicien, de téléphone ou télégramme, de Location d'un produit similaire pendant la durée Des réparations sous garantie, de déplacement, De pertes ou dommages à des biens personnels, De manque à gagner, de perte d'usage du produit, De perte de temps ou de dérangement. Certains États et provinces ne permettant l'exclusion ou La limitation des dommages directs ou indirects, Les restrictions ci-dessous peuvent ne pas être Applicables.

Cette garantie donne au consommateur des droits spécifiques, et celui-ci peut bénéficier d'autres droits, qui varient selon les états ou provinces.

Cette garantie s'applique aux déchiqueteuses de marque ECHO et aux taille-bordures sur roues de marque ECHO fabriqués par ou pour ECHO Incorporated et vendus aux États-Unis et au Canada

Pour obtenir l'adresse du le plus proche concessionnaire ECHO autorisé, visitez le [www.echo-usa.com](http://www.echo-usa.com) ou appelez le 1-800-432-ECHO (3246).

**ECHO Incorporated**  
400 Oakwood Rd.  
Lake Zurich, IL 60047  
1-800-432-ECHO (3246)  
[www.echo-usa.com](http://www.echo-usa.com)

99922205585  
12/20



# TABLE DES MATIÈRES

<b>1</b>	<b>SÉCURITÉ</b> .....	<b>1</b>
	1.1 SYMBOLE D'ALERTE DE SÉCURITÉ .....	1
	1.2 INFORMATION SUR LES RISQUES D'INCENDIE .....	1
	1.3 AVANT LE FONCTIONNEMENT .....	1
	1.4 SÉCURITÉ DE FONCTIONNEMENT .....	2
	1.5 SÉCURITÉ D'ENTRETIEN ET DE STOCKAGE .....	2
	1.6 EMBLEMES DES DÉCALCOMANIES DE SÉCURITÉ .....	3
<b>2</b>	<b>ASSEMBLAGE</b> .....	<b>4</b>
	2.1 RÉGLAGE DU GUIDON .....	4
	2.2 VÉRIFICATION/ADDITION D'HUILE MOTEUR.....	4
	2.3 REMPLISSAGE DU RÉSERVOIR .....	4
<b>3</b>	<b>FONCTIONS ET COMMANDES</b> .....	<b>5</b>
<b>4</b>	<b>FONCTIONNEMENT</b> .....	<b>6</b>
	4.1 DÉMARRAGE DE LA TONDEUSE .....	6
	4.2 ARRÊT DE LA TONDEUSE .....	6
	4.3 GUIDE DU TAILLE-BORDURES.....	6
	4.4 INCLINAISON EXCENTRÉE (OCT) .....	7
<b>5</b>	<b>SERVICE ET ENTRETIEN</b> .....	<b>8</b>
	5.1 CALENDRIER D'ENTRETIEN.....	8
	5.2 ENTRETIEN DU MOTEUR .....	8
	5.3 RÉGLAGE DE LA HAUTEUR DE COUPE .....	9
	5.4 CHANGEMENT DU FIL DE COUPE .....	9
	5.5 VÉRIFICATION, TENSIONNEMENT ET REMPLACEMENT DE LA COURROIE D'ENTRAÎNEMENT .....	10
<b>6</b>	<b>DÉPANNAGE</b> .....	<b>11</b>
<b>7</b>	<b>CARACTÉRISTIQUES</b> .....	<b>12</b>
	7.1 COUPLE DE SERRAGE DU BOULON.....	13
<b>8</b>	<b>LES OPTIONS</b> .....	<b>14</b>
<b>9</b>	<b>ENREGISTREMENT</b> .....	<b>15</b>

# 1 SÉCURITÉ

## Partie

### 1.1 SYMBOLE D'ALERTE DE SÉCURITÉ



Le manuel du Propriétaire/Opérateur utilise ce symbole pour vous avertir de dangers potentiels. Chaque fois que vous voyez ce symbole, lisez le message de sécurité qui suit et obéissez à ce dernier. Le non-respect du message de sécurité risquerait d'entraîner des blessures, la mort ou des dommages matériels.



#### DANGER



Indique une situation dangereuse imminente qui risque d'entraîner la mort ou des blessures sérieuses si elle n'est pas évitée.



#### AVERTISSEMENT



Indique une situation potentiellement dangereuse qui risque d'entraîner la mort ou des blessures sérieuses si elle n'est pas évitée.



#### MISE EN GARDE



Indique une situation potentiellement dangereuse qui risque d'entraîner une blessure légère ou modérée si elle n'est pas évitée.

### 1.2 INFORMATION SUR LES RISQUES D'INCENDIE



Le fonctionnement de cet équipement peut créer des étincelles qui peuvent déclencher des incendies lorsqu'utilisé en présence de végétation sèche. Cet appareil peut être équipé d'un pare-étincelles pour empêcher le rejet de particules chaudes du moteur. Le pare-étincelles peut être une pièce standard ou optionnelle, selon

le type de moteur. Dans certaines régions, il est illégal de faire fonctionner un moteur sans pare-étincelles. Vérifiez les lois

et réglementations locales, régionales et fédérales. Un pare-étincelles est disponible chez les revendeurs agréés.

Comme sur la plupart des matériels motorisés à usage extérieur, le moteur de votre matériel est un moteur à combustion interne alimenté à l'essence (un carburant hydrocarboné). Si votre matériel motorisé est utilisé dans les régions concernées, il doit être muni en permanence d'un silencieux pare-étincelles en bon état. Le pare-étincelles doit être fixé sur le système d'échappement du moteur de manière à ce que les flammes ou la chaleur dégagées par le système ne puissent pas mettre le feu aux matières inflammables.

Le non-respect des lois fédérales, des États et locales risque d'exposer le propriétaire/opérateur à des amendes ou à d'autres pénalités. Adressez-vous au service des pompiers ou au service des forêts pour des informations spécifiques sur les réglementations s'appliquant à votre région.

Le silencieux standard installé sur le moteur fait office de pare-étincelles. Les pare-étincelles nécessitent un entretien régulier. Voir la section « Réparations et entretien » de ce manuel pour plus de détails.

Les composants de coupe en métal, y compris la boule de tonte, peuvent également créer des étincelles lorsqu'ils heurtent des pierres, du métal ou d'autres objets durs. Se renseigner auprès des autorités locales sur les lois et les réglementations concernant la prévention des incendies.

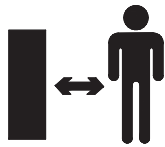
### 1.3 AVANT LE FONCTIONNEMENT



1. Lisez et comprenez le présent guide d'utilisation et de fonctionnement. Familiarisez-vous avec les commandes et l'utilisation correcte de la machine.
2. Familiarisez-vous avec toutes les étiquettes autocollantes de fonctionnement et de sécurité de cet équipement et sur tout ajout ou accessoire l'accompagnant
3. Veillez à ce que les étiquettes de sécurité restent propres et lisibles. Remplacez les étiquettes manquantes ou illisibles.
4. Obtenez et portez des lunettes protectrices et un dispositif de protection de l'ouïe en tout temps pendant le fonctionnement de cette machine.
5. Évitez de porter des vêtements amples. Ne faites jamais fonctionner cette machine si vous portez des vêtements ayant des cordons de serrage qui risqueraient de s'enrouler dans la machine ou de se faire attraper par elle.

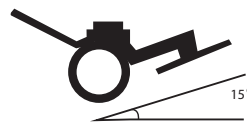


6. Ne faites pas fonctionner la machine si vous êtes sous l'influence de l'alcool, de médicaments ou de substances qui risqueraient de modifier votre vision, votre équilibre et votre jugement. Ne faites pas fonctionner la machine si vous êtes fatigué ou malade. Il est indispensable d'être en bonne santé pour faire fonctionner cette machine en toute sécurité.
7. Ne faites pas fonctionner cet équipement à proximité de personnes. Toutes les personnes et particulièrement les jeunes enfants doivent être évacués de la zone d'utilisation de la machine. On recommande que les personnes se tiennent à au moins 15 mètres (50 pi) de la zone de fonctionnement.
8. Ne permettez pas à des enfants de faire fonctionner cet équipement.
9. Ne travaillez qu'à la lumière du jour ou avec une lumière artificielle de bonne qualité.
10. Ne faites pas fonctionner cette machine dans un lieu fermé. Les gaz d'échappement du moteur contiennent du monoxyde de carbone qui est un poison mortel inodore, incolore et sans saveur. Ne faites pas fonctionner cette machine dans un bâtiment ou à proximité de fenêtres ou d'appareils de climatisation.
11. Utilisez toujours un récipient à carburant approuvé. Ne retirez jamais le bouchon à carburant ni n'ajoutez jamais du carburant lorsque le moteur est en marche. N'ajoutez de l'essence que lorsque le moteur s'est refroidi..
12. Ne remplissez pas le réservoir de carburant à l'intérieur d'un bâtiment. Gardez le carburant à distance des flammes nues, étincelles, matières fumantes et autres sources de combustion.
13. Ne faites pas fonctionner la machine sans que les écrans protecteurs soient en place. Le non-respect du message de sécurité risquerait d'entraîner des blessures graves ou la mort.
14. Assurez-vous que les dispositifs de protection, déflecteurs et plaques de protection sont en place et en bon état de fonctionnement.
15. Avant d'inspecter ou de réparer les pièces de cette machine, veuillez l'éteindre et vous assurer que toutes les pièces sont immobilisées.
16. Vérifiez que tous les boulons, vis, écrous et autres attaches sont assujettis et en bon état de fonctionner avant de démarrer la machine, puis une fois toutes les huit heures de fonctionnement.
17. Ne tentez ni de transporter ni de déplacer la machine lorsqu'elle est en marche



### 1.4 SÉCURITÉ DE FONCTIONNEMENT

1. Gardez les mains et les pieds à l'extérieur des ouvertures d'alimentation et de décharge pendant le fonctionnement de la machine afin d'éviter les blessures graves. Arrêtez et laissez la machine s'immobiliser complètement avant de dégager les obstructions.
2. Aménagez votre aire de travail de manière à ne pas mettre en danger la circulation et le public. Prenez soins de fournir les mises en garde qui s'imposent.
3. Assurez-vous que la machine n'est obstruée par aucun débris ou autre accumulation.
4. Lorsque la caution est engagée coupe, le disque coupe est en rotation. N'essayez pas d'inspecter ou de réparer la machine tandis que le disque coupe est en rotation.
5. Maintenir un contrôle ferme de la machine pendant le fonctionnement pour éviter tout basculement. Assurez-vous toujours de votre pied.
6. Couper la source d'alimentation, et assurez-vous toutes les pièces mobiles sont venus à un arrêt complet avant d'inspecter ou de réparer toute partie de la machine.



\* Ne pas faire fonctionner sur un angle de 15 °. Angles plus élevées peuvent causer des dommages à votre machine.

### 1.5 SÉCURITÉ D'ENTRETIEN ET DE STOCKAGE

1. Coupez l'alimentation et assurez-vous que toutes les pièces mobiles sont à l'arrêt complet avant d'effectuer l'inspection, l'entretien, l'entreposage ou le changement d'accessoire de la machine.
2. Retirez et remplacez les étiquettes autocollantes manquantes ou illisibles. Référez-vous à la partie étiquettes autocollantes pour en connaître les numéros de pièces.
3. Laissez la machine se refroidir avant de l'entreposer dans un endroit fermé.
4. Entrez la machine hors de la portée des enfants et éloignée de flammes nues ou d'étincelles.
5. Lorsque le réservoir contient de l'essence, ne rangez jamais cette machine dans un immeuble où des vapeurs pourraient prendre feu par le truchement d'une flamme ou d'une étincelle. Les sources d'inflammation peuvent être l'eau chaude et les radiateurs indépendants, les calorifères, les sècheurs à vêtements, les cuisinières, les moteurs électriques, etc.
6. Pour un entreposage de trois mois ou plus, veuillez vidanger le carburant et le mettre au rebut d'une manière sûre.

## 1.6 EMBLEMES DES DÉCALCOMANIES DE SÉCURITÉ

Familiarisez-vous avec toutes les étiquettes autocollantes de sécurité et de fonctionnement qui se trouvent sur la machine, ainsi qu'avec les dangers qui leur sont associés. Voir le guide d'utilisation du moteur ou contactez le fabricant de moteur pour les étiquettes autocollantes et les consignes de sécurité du moteur. Assurez-vous que toutes les étiquettes autocollantes de fonctionnement et de sécurité de cette machine demeurent propres et en bon état. Les étiquettes sont illustrées ci-dessous en taille réduite. Reportez-vous au catalogue des pièces lorsque vous avez besoin d'une étiquette autocollante de rechange. Les étiquettes autocollantes de remplacement doivent être appliquées aux emplacements d'origine.

### 1 RÉF. YH653000230

N'utilisez pas cette machine à proximité de spectateurs. Ne laissez jamais des enfants utiliser cette machine. Veuillez toujours vous tenir à l'écart de la décharge lorsque vous servez de cette machine. Tenez le visage et le corps à l'écart des zones de décharge de la machine.

Tenez-vous, visage et corps, à bonne distance des zones de décharge.

Gardez les mains, toutes autres parties du corps et des vêtements hors d'atteinte des pièces en mouvement afin d'éviter tout risque de blessures graves.

Veillez toujours porter des lunettes de sécurité et une protection de l'ouïe lorsque vous utilisez cette machine.



### 2 RÉF. YH653000240

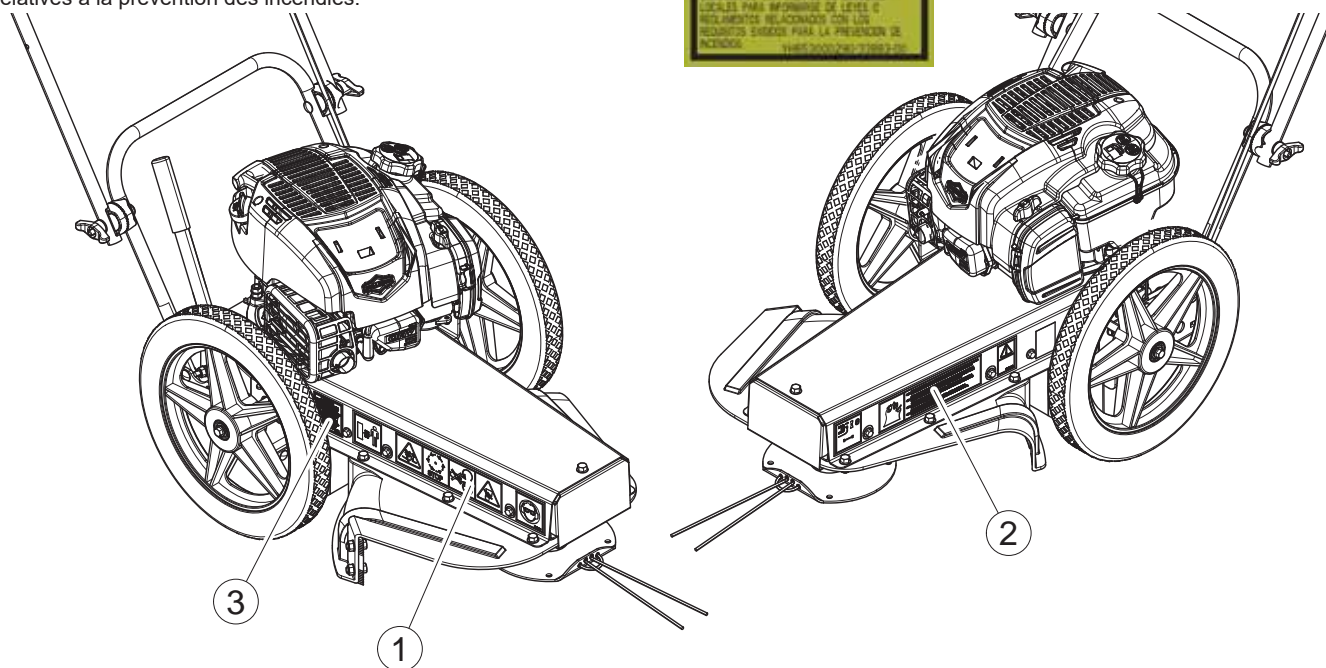
Avant d'effectuer l'inspection ou l'entretien courant de cette machine, il est important de couper l'alimentation, déconnecter le câble de bougie de la bougie d'allumage et d'attendre que toutes les pièces en mouvement sont complètement arrêtées.

Débarassez la machine de tous débris et autres accumulations. Ces derniers risqueraient d'entraîner un incendie.



### 3 RÉF. YH653000290

L'utilisation de cet équipement peut générer des étincelles qui risquent de mettre le feu à la végétation sèche. Il se peut qu'un pare-étincelles soit nécessaire. L'opérateur doit communiquer avec les organismes locaux de lutte contre l'incendie pour connaître les lois et réglementations relatives à la prévention des incendies.



# 2 ASSEMBLAGE

## Partie

### 2.1 RÉGLAGE DU GUIDON

1. Ouvrir la caisse d'expédition et en retirer les matériaux d'emballage.
2. Desserrer les poignées en T du guidon. Relever la partie supérieure du guidon jusqu'à la position désirée. Resserrer les poignées en T.
3. Couper les deux coins de la caisse d'expédition afin que le coupe-herbe puisse rouler sur le sol.
4. Installez la corde de recul dans la boucle de recul du guidon.
5. Faites pivoter la boucle de recul pour entrer en contact avec le guidon et capturer la corde de recul.

### 2.2 VÉRIFICATION/ADDITION D'HUILE MOTEUR

Vérifiez le niveau d'huile et, au besoin, remplissez le carter du moteur avec le type et la quantité d'huile spécifiés dans le guide d'utilisation du moteur.

### 2.3 REMPLISSAGE DU RÉSERVOIR

#### **AVERTISSEMENT**



L'essence et les carburants diesel sont extrêmement inflammables et leurs vapeurs sont explosives. Pour prévenir des dommages corporels ou matériels :

Entreposez l'essence dans un récipient conçu à cet effet, dans un endroit inhabité, bien aéré et dépourvu de tout risque de flammes et d'étincelles. Ne remplissez pas le réservoir à essence quand le moteur est chaud ou en marche. Les déversements d'essence peuvent s'enflammer au contact de pièces chaudes ou d'étincelles de l'allumage. Ne démarrez jamais la machine à proximité d'un déversement d'essence. N'utilisez jamais de l'essence comme agent de nettoyage.

**NE MÉLANGEZ PAS L'HUILE ET L'ESSENCE.**

N'utilisez que les types de carburant recommandés pour votre moteur dans le manuel d'utilisation.

Pour ajouter de l'essence.

1. Arrêtez le moteur, attendez que toutes les pièces se soient immobilisées et déconnectez le câble de bougie. Laissez le moteur et le pot d'échappement se refroidir pendant au moins trois minutes.
2. Nettoyez la zone qui entoure le bouchon de l'orifice de remplissage et retirez le bouchon.
3. À l'aide d'un entonnoir propre, remplissez le réservoir de carburant jusqu'à 1/2 po. (1,3 cm) au-dessous de la partie inférieure de l'orifice de remplissage pour laisser assez de place en cas d'expansion du carburant. Remettez le bouchon de remplissage et essuyez tout déversement d'essence.

# 3

# FONCTIONS ET COMMANDES

## Partie

La compréhension du fonctionnement de votre machine vous aidera à réaliser les meilleurs résultats dans l'utilisation de votre coupe-herbe. Les descriptions suivantes définissent les fonctions et commandes de votre machine.

**CONSULTER LE MANUEL DU PROPRIÉTAIRE DU MOTEUR POUR DE PLUS AMPLES INSTRUCTIONS D'UTILISATION DU MOTEUR.**

### 1. LEVIER DE L'ENRICHISSEUR

L'actionner pour faire démarrer le moteur à froid.

### 2. POIGNÉE DU COUPE-HERBE

Pour faire démarrer le coupe-herbe, lever la poignée située sous le guidon. Lorsque le moteur est en marche et la poignée est enclenchée, le disque du coupe-herbe tourne. Relâcher la poignée pour arrêter le coupe-herbe. Attendre que le disque du coupe-herbe ait cessé de tourner pour inspecter le coupe-herbe ou procéder à son entretien.

### 3. LANCEUR À RAPPEL

Utilisé pour faire démarrer le moteur. En tenant la poignée, tirer lentement sur le lanceur jusqu'à sentir une résistance. Tirer alors sur le cordon d'un coup sec pour faire démarrer le moteur et éviter un rebond.

### 4. LEVIER DE COMMANDE D'INCLINAISON

Utilisez ce levier pour régler le degré d'inclinaison de la tête et du corps du taille-bordures lorsque vous utilisez la fonction d'inclinaison excentrée 'Off Center Tilt (OCT)'.

### 5. RÉGLAGE DU GUIDON/ GUIDON REPLIABLE

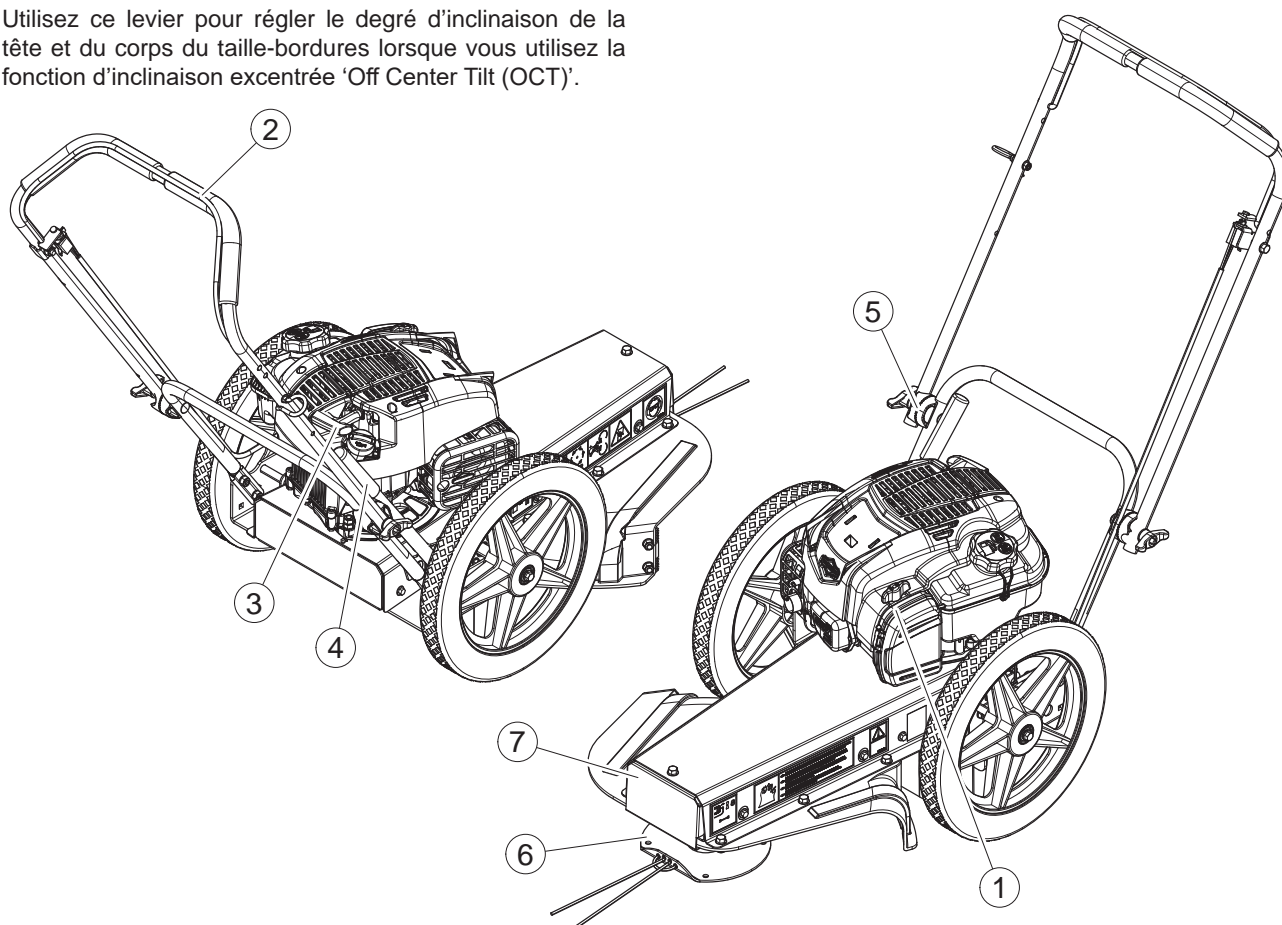
Desserrer la poignée en T pour régler la position du guidon. Resserrer la poignée en T à l'emplacement désiré. Il est possible de rabattre le guidon sur le coupe-herbe pour le transport ou le remisage.

### 6. PLAQUE DE COUPE

Fixez la ficelle de coupe ou remplacez-la par une tête Proline ou une boule de coupe sans étincelle.

### 7. COUVERCLE AVANT

Le couvercle peut être retiré pour: remplacer une courroie, retourner la plaque de coupe, ou installer / retirer la tête Proline ou No Spark Mow Ball.



# 4 FONCTIONNEMENT

## Partie

Comme avec toute autre pièce d'équipement motorisé extérieur, l'obtention de l'impression sur la manière de fonctionner de la machine et l'obtention de la connaissance des meilleures techniques à utiliser pour des travaux particuliers sont des éléments importants pour avoir un fonctionnement global satisfaisant.

### FONCTIONNEMENT DU TAILLE-BORDURES

L'opération du taille-bordures se produit sous la machine, à l'endroit où le fil de coupe est fixé sur le disque rotatif. Les matières végétales sont taillées et propulsées à l'extérieur par les côtés du taille bordures.

#### AVERTISSEMENT

Il est important de bien lire et comprendre toutes les instructions relatives à la sécurité, aux commandes et au fonctionnement se trouvant dans ce guide d'utilisation et sur la machine avant de la mettre en marche. Le non-respect de ces instructions risquerait d'entraîner des blessures sérieuses ou des dommages matériels.

### 4.1 DÉMARRAGE DE LA TONDEUSE

Mettez la machine dans un endroit dégagé et à niveau à l'extérieur avant de la mettre en marche. Ne pas la faire fonctionner à proximité de spectateurs. Assurez-vous que le moteur est bien propre et que des débris ne sont pas accumulés sur le moteur ou autour de l'échappement.

1. Vérifiez le niveau d'huile avant de mettre en marche (consultez le manuel du moteur.)
2. Mettre le levier de l'enrichisseur en position ON (marche).
3. Relever la poignée du coupe-herbe jusqu'au guidon.
4. Saisissez la poignée du cordon de lanceur à rappel et tirez lentement jusqu'à ce que vous sentiez une résistance. Tirez rapidement pour démarrer le moteur et éviter un retour en arrière. Répétez si nécessaire.
5. Laisser le moteur monter en température et mettre l'enrichisseur en position OFF (coupé).

### 4.2 ARRÊT DE LA TONDEUSE

Relâchez l'étrier du taille bordures.

#### AVERTISSEMENT

Laissez la machine s'arrêter complètement avant de l'inspecter ou d'effectuer l'entretien courant. La machine est venue à l'arrêt complet lorsque le disque du taille-bordures ne tourne plus.

### 4.3 GUIDE DU TAILLE-BORDURES

Le taille-bordure/tondeuse à roues est prévu pour tondre et couper de l'herbe et des bordures. Les conseils suivants vous aideront à démarrer.

1. La machine doit tourner à pleine vitesse avant de commencer à tailler, tondre ou entretenir les bordures.
2. Pour commencer à tailler, mettez le moteur en marche, mettez la tête de taille sur le sol et commencez à marcher lentement.
3. Les roues doivent rester au sol à tout instant pour éviter tout risque de pression excessive sur la tête de taille.
4. Le rayon de coupe dépend de la longueur de la corde de coupel et du type de l'application.
5. Dans les endroits difficiles et pour l'entretien de bordures, il est recommandé d'utiliser un rayon de coupe inférieur au rayon maximum.
6. Sur une aire ouverte et étendue, tondre dans le sens antihoraire, en travaillant de l'extérieur vers le centre. L'herbe coupée est évacuée vers le côté droit du coupe-herbe.

#### AVERTISSEMENT

Inspectez et nettoyez le moteur avant chaque utilisation. Une accumulation de débris autour de l'échappement peut entraîner un incendie.



\* Ne pas faire fonctionner sur un angle de 15 °. Angles plus élevées peuvent causer des dommages à votre machine.

## 4.4 INCLINAISON EXCENTRÉE (OCT)

La fonction d'inclinaison excentrée est utilisée pour tailler les endroits difficiles d'accès. Cette fonction permet l'inclinaison de la tête et du corps du taille-bordures pour tailler au ras du sol. Le degré d'inclinaison dépend du réglage sélectionné sur la manette de réglage de hauteur située sur le côté droit du taille-bordure/tondeuse. Pour engager la fonction d'inclinaison excentrée, il suffit de mettre la poignée dans l'une des quatre positions disponibles.

1. **Niveau** : La poignée de réglage de hauteur est réglée sur la position la plus proche de l'arrière du taille-bordures.
2. **5,4 degrés** : La poignée de réglage de hauteur est sur la deuxième position à partir de l'arrière du taille-bordures.
3. **10,3 degrés** : La poignée de réglage de hauteur est sur la troisième position à partir de l'arrière du taille bordures.
4. **13 degrés** : La poignée de réglage de hauteur est sur la position la plus proche de l'avant de la machine pour une inclinaison maximale.



Figure 4.1, Niveau



Figure 4.3, Troisième position



Figure 4.2, Deuxième position



Figure 4.4, Plus proche de l'avant



# 5 SERVICE ET ENTRETIEN

## Partie

### 5.1 CALENDRIER D'ENTRETIEN

Les articles figurant au tableau des réparations et de l'entretien doivent être vérifiés et, au besoin, des mesures correctives doivent être prises. Ce calendrier d'entretien est conçu pour une utilisation normale de la machine. Lorsque l'unité fonctionne dans des conditions difficiles, il peut s'avérer nécessaire de vérifier et de réparer les articles plus fréquemment.

**CONSULTEZ LE MANUEL DU PROPRIÉTAIRE DU MOTEUR POUR PLUS D'ENTRETIEN DU MOTEUR ET DES INFORMATIONS DE DÉPANNAGE.**

CALENDRIER DE RÉPARATIONS ET D'ENTRETIEN						
PIECE	ENTRETIEN NÉCESSAIRE	FRÉQUENCE				
		SE RÉFÉRER AU MANUEL D'UTILISATION DU MOTEUR	AVANT CHAQUE EMPLOI	APRÈS LA PREMIÈRE UTILISATION	TOUTES LES 8 HEURES	TOUS LES ANS
Filtre a air	Verifier et nettoyer (1)	•				
Huile moteur	Changer (1)	•				
Bougie	Verifier l'état et l'écart	•				
Reservoir carburant	Verifier/remplir		•			
Boulons et écrous internes et externes	Verifier serrage		•			
Collecteur de refroidissement	Nettoyer (1)		•	•		
Courroie	Verifier serrage			•		
Pare-étincelles *	Nettoyer				•	
Machine complete	Nettoyer				•	
Lanceur	Effectuer entretien					•

(1) S'effectue plus fréquemment dans des conditions d'utilisation poussiéreuses, sales ou rudes.

\* Si équipé

Changez l'huile après les 5 à 8 premières heures d'utilisation, puis toutes les 50 heures ou à chaque saison.

**En accord avec la garantie limitée, le non respect du calendrier d'entretien annulera la garantie de la machine.**

### 5.2 ENTRETIEN DU MOTEUR

Un bon entretien est essentielle pour assurer une longue durée de vie à votre moteur. Nettoyez périodiquement le moteur et retirez toute accumulation d'herbe et d'autres matières végétales. Le manuel du moteur explique comment nettoyer le filtre à air et changer l'huile. Il est recommandé d'effectuer l'entretien en respectant le calendrier indiqué dans le manuel d'utilisation du moteur.

N'oubliez pas d'inspecter le moteur et de nettoyer les ailettes de refroidissement si nécessaire.



Nettoyez périodiquement le moteur et retirez toute accumulation d'herbe et d'autres matières végétales. Un environnement poussiéreux exigera un nettoyage plus fréquent.

## ⚠ AVERTISSEMENT ⚠

AVANT D'INSPECTER OU D'EFFECTUER LE SERVICE DE N'IMPORTE QUELLE PIÈCE DE CETTE MACHINE, COUPEZ LA SOURCE D'ALIMENTATION, DÉCONNECTEZ LE CÂBLE DE BOUGIE DE LA BOUGIE D'ALLUMAGE ET ASSUREZ-VOUS QUE TOUTES LES PIÈCES EN MOUVEMENT SE SONT IMMOBILISÉES.

### 5.3 RÉGLAGE DE LA HAUTEUR DE COUPE

La hauteur de coupe standard est de 2-3/4 po. (7 cm). La hauteur de coupe peut être baissée d'environ 3/4 po. (1,9 cm) en tournant le disque de la tête. Réglez la hauteur de coupe en suivant les étapes suivantes.

1. Retirer le couvercle avant.
2. Pivoter la boule de tonte pour aligner les méplats de l'arbre sur l'ouverture du coupe-herbe.
3. Maintenir l'arbre du coupe-herbe à l'aide d'une clé réglable ou d'une clé de 9/16 po. (14 mm). Tourner jusqu'à ce que la clé soit plaquée contre le corps du coupe-herbe.
4. Pour l'enlever, pivoter la boule de tonte dans le sens antihoraire (vue de dessous). Utiliser une clé à mâchoires mobiles ou une clé à filtre si la boule de tonte est difficile à retirer. Pivoter la plaque du coupe-herbe peut aussi faciliter le desserrage de la boule de tonte.
5. Retourner le disque du coupe-herbe et le remettre sur la fusée du coupe-herbe.
6. Remettre la boule de tonte en place et la tourner dans le sens horaire (vue de dessous) pour la resserrer.

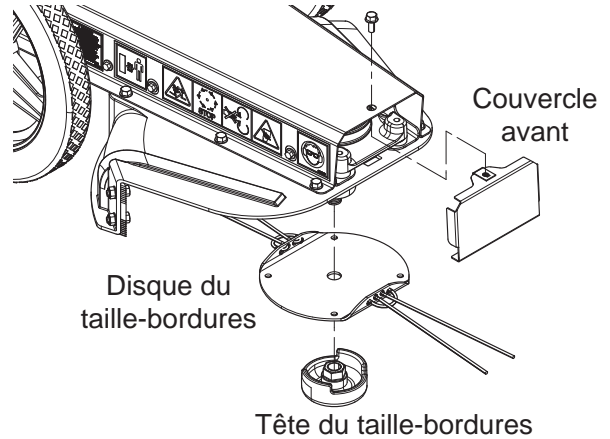


Figure 5.1, Réglage de la hauteur de coupe

### 5.4 CHANGEMENT DU FIL DE COUPE

Le fil de coupe est disponible dans deux calibres différents, 155 mil (standard) et 175 mil (service sévère). Le type de fil sélectionné dépend des conditions de coupe et des matières à couper.

Le fil de coupe peut être enroulé d'une variété de façons. Référez-vous aux exemples des figures 5.2, 5.3 et 5.4. La méthode d'enroulement et le calibre du fil de coupe choisis sont basés sur la préférence de l'utilisateur.

Pour enrouler le fil de coupe dans la configuration standard, veuillez suivre les étapes suivantes.

1. Introduisez le fil de coupe à travers le deuxième trou sur l'une ou l'autre extrémité de la tête du taille-bordures en laissant environ 8 po. (20,3 cm) pour la surface de coupe. La longueur totale de fil recommandée est de 20 po. (50,8 cm.).
2. Continuez en tissant le fil de coupe à travers le premier trou situé directement à côté du deuxième trou utilisé dans l'étape 1. Tirez fermement sur le fil de coupe.
3. Faites une boucle en faisant passer le fil de coupe à travers le premier trou sur l'extrémité opposée de la tête du taille-bordures.
4. Introduisez le fil à travers le deuxième trou restant et tirez fermement sur le fil de coupe. Les fils de coupe dans les deux trous du milieu doivent avoir la même longueur. Si leurs longueurs sont différentes, coupez-les à longueur égale.
5. Méthode facultative. Faire un nœud au milieu du fil. Insérer les extrémités libres dans les trous de la plaque du coupe-herbe.

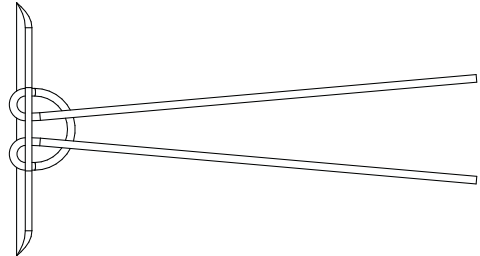


Figure 5.2, Enroulement du fil de coupe

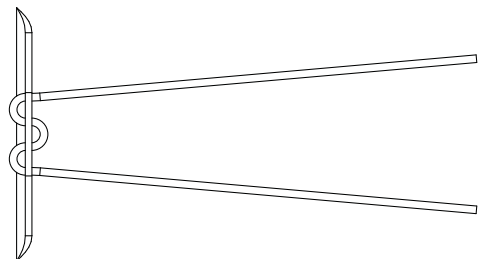


Figure 5.3, Méthode d'enroulement en option

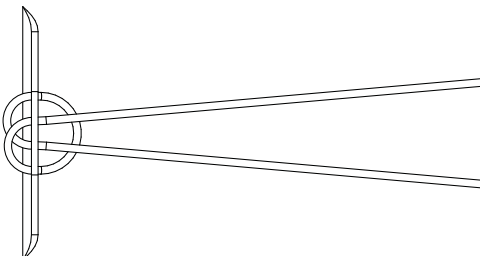


Figure 5.4, Méthode d'enroulement en option

**⚠ AVERTISSEMENT ⚠**

AVANT D'INSPECTER OU D'EFFECTUER LE SERVICE DE N'IMPORTE QUELLE PIÈCE DE CETTE MACHINE, COUPEZ LA SOURCE D'ALIMENTATION, DÉCONNECTEZ LE CÂBLE DE BOUGIE DE LA BOUGIE D'ALLUMAGE ET ASSUREZ-VOUS QUE TOUTES LES PIÈCES EN MOUVEMENT SE SONT IMMOBILISÉES.

**5.5 VÉRIFICATION, TENSIONNEMENT ET REMPLACEMENT DE LA COURROIE D'ENTRAÎNEMENT**

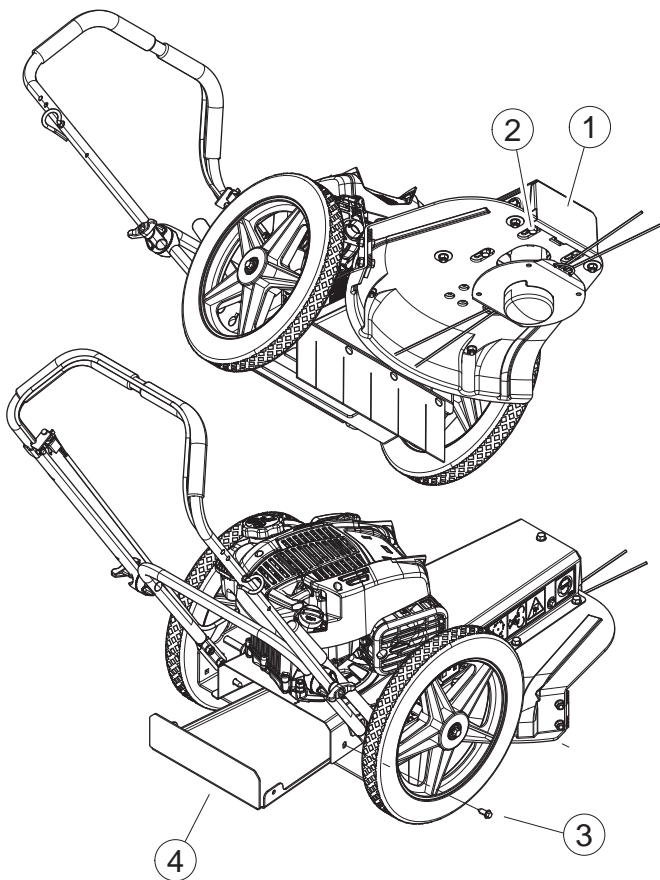
Vérifier l'état de la courroie d'entraînement tous les ans ou toutes les 20 heures de fonctionnement, la première éventualité prévalant. Si la courroie est craquelée, effilochée ou usée, la remplacer.

1. Arrêter le moteur. Débrancher le câble de la bougie.
2. Retirer le couvercle avant (1).
3. Desserrer les quatre boulons (2) fixant le moyeu de la fusée sur la partie inférieure du bâti du coupe-herbe. Cela permet au moyeu de la fusée de se mouvoir librement avec la poulie qui en est solidaire.
4. Retirer les quatre vis (3) des côtés du corps sous le moteur. Retirer la plaque (5) pour exposer la courroie.
5. Retirer la courroie si elle est usée ou rompue.
6. Installer la courroie neuve en procédant d'avant en arrière. Installer la courroie au-dessus de la poulie avant du coupe-herbe et en dessous de la poulie arrière.

7. Installer la plaque (5) à l'aide de quatre vis (3).
8. Faire avancer le moyeu de la fusée afin de tendre la courroie. Resserrer les quatre boulons (2).
9. Remettre le couvercle avant.

**REMARQUE**

- Une courroie trop tendue endommagera les roulements/l'arbre de la fusée/la courroie.
- Une courroie insuffisamment tendue patine et peut entraîner une défaillance prématurée.
- Le moteur doit être mis sous charge pour les travaux dans l'herbe dense, sinon la courroie risque de patiner.



# 6 DÉPANNAGE

## Partie

Avant d'effectuer n'importe laquelle des corrections de ce tableau de dépannage, se reporter aux renseignements appropriés contenus dans ce manuel pour les précautions correctes de sécurité et les procédures de fonctionnement ou d'entretien. Contacter votre concessionnaire ou ECHO Bear Cat® pour les problèmes de service concernant la machine.

PROBLÈME	CAUSE POSSIBLE	REMÈDE
Le disque du taille-bordures ne tourne pas	Courroie cassées ou endommagées	Remplacez la courroie
	Broche cassée	Remplacez la broche
	Roulements défectueux	Remplacez les roulements
La coupe est lente ou grossière	Le fil de coupe est trop faible	Remplacez-le par du fil de coupe plus robuste (0,175)
	La végétation est trop épaisse	Réduisez la surface de taille de moitié ou rehaussez la tête du taille-bordures
	Le moteur ne tourne pas au plein régime	Mettez le moteur à plein régime
Le taille- bordures nécessite une puissance excessive ou cale	Le fil de coupe est trop long	Réduisez la longueur du fil de coupe
	La végétation est trop épaisse	Réduisez la surface de taille de moitié ou rehaussez légèrement la tête du taille -bordures
	La courroie est trop serrée	Déplacez l'ensemble broche et moyeu vers l'arrière du taille- bordures
La courroie de transmission grince ou fume	La courroie de transmission est détendue ou usée	Remplacez la courroie de transmission
	La poulie est usée ou endommagée	Remplacez la poulie
Le moteur ne démarre pas ou démarre difficilement	Le réservoir à essence est vide	Remplissez le réservoir d'essence
	Le fil de la bougie est débranché	Connectez le fil à la bougie
	La bougie est défectueuse	Remplacez la bougie
	La conduite d'essence est bouchée	Retirez la conduite d'arrivée d'essence au niveau du carburateur et vérifiez s'il y a des obstructions. Vidangez le réservoir et remplissez-le avec de l'essence fraîche
	L'essence est sale, éventée ou contaminée par de l'eau	Vidangez le réservoir et remplissez-le d'essence fraîche
	Le moteur est noyé	Mettez la commande des gaz sur la position de marche et faites tourner le moteur plusieurs fois pour enlever l'excès d'essence
	Le filtre à air ou les ailettes de refroidissement sont sales ou bouchés	Nettoyez ou remplacez le filtre à air. Nettoyez les ailettes de refroidissement et la surface de protection du moteur
	L'étrier du taille-bordures n'est pas enclenché	Enclenchez l'étrier du taille bordures
	Branchement du faisceau	Vérifier l'absence de connexions lâches ou de rupture des fils
Le moteur tourne, mais cale ou n'accélère pas correctement	Filtre à air encrassé	Nettoyer ou remplacer
	Filtre à carburant encrassé	Relace
	Dispositif de mise à l'air libre du réservoir de carburant obstrué	Nettoyer ou remplacer
	Bougie sale/usée	Nettoyer et régler ou remplacer
	Vibration du carburateur	Régler
	Circuit de refroidissement sale/obstrué	Nettoyer
	Obstruction du pare-étincelles *	Remplacer
La courroie de transmission roule ou tombe hors des poulies	La poulie n'est pas alignée	Alignez les poulies
	La tension de la courroie n'est pas correcte	Réglez la courroie à une tension de 70 livres (31 kg) de force
	Le palier de broche est défectueux	Remplacez les roulements

\* Si équipé

# 7 CARACTÉRISTIQUES

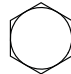

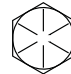
## Partie

DESCRIPTION	UNITÉS ANGLAISES	UNITÉ MÉTRIQUES
Moteur	Briggs & Stratton® 675 EXi Series 163 cm <sup>3</sup>	
Transmission	Pousser (avec d'inclinaison)	
Capacité du réservoir	0,8 quarts (0,2 gallon)	
Démarrage	Lanceur à rappel	
Largeur de coupe	24 po.	61 cm
Hauteur de coupe	1-7/8 po. et 2-3/4 po.	4,8 cm et 7 cm
Fil de coupe en nylon	20 po. 0,155 po. Cross-Fire®	50,8 cm 0,39 cm Cross-Fire
Support des roues	Roulements à billes	
Déport	2 po. à gauche	5 cm à gauche
Niveau de contrôle des vibrations	< 2,5 m/s <sup>2</sup>	
Niveau sonore	99 dB	
Poids	84 livres	38,1 kg
Dimensions hors tout	45 po. x 23 po. x 43 po.	114 cm x 58 cm x 109 cm
Équipé d'un pare étincelles*	Non	





\* Si un pare-étincelles est requis, il doit répondre aux spécifications et aux exigences de performance des lois et règlements locaux, provinciaux et fédéraux. Un pare-étincelles est disponible chez les revendeurs agréés.

## 7.1 COUPLE DE SERRAGE DU BOULON

Les tableaux ci-dessous ne servent que de référence et leur utilisation par n'importe qui est entièrement sur une base volontaire, à moins que cela ne soit noté autrement. La confiance mise sur leur contenu dans n'importe quel but constitue le risque pris uniquement par cette personne et toute perte ou tout dommage provenant de l'utilisation de cette information est sous la responsabilité de cette personne.

Calibre SAE et marquages des têtes	SAE 2	SAE 5	SAE 8	Diamètre du boulon
				

DIAMÈTRE DU BOULON (A)	COUPLE DE SERRAGE DE BOULON *					
	SAE 2		SAE 5		SAE 8	
	NM	PI-LB	NM	PI-LB	NM	PI-LB
1/4 po.	7,5	5,5	11	8	16	12
5/16 po.	15	11	23	17	34	25
3/8 po.	27	20	41	30	61	45
7/16 po.	41	30	68	50	95	70
1/2 po.	68	50	102	75	149	110
9/16 po.	97	70	149	110	203	150
5/8 po.	122	90	203	150	312	230
3/4 po.	217	160	353	260	515	380
7/8 po.	230	170	542	400	814	600
1 po.	298	220	786	580	1220	900
1-1/8 po.	407	300	1085	800	1736	1280
1-1/4 po.	570	420	2631	1940	2468	1820

Calibre métrique et marquages des têtes	4,8	8,8	10,9	12,9	Diamètre du boulon
					

DIAMÈTRE DU BOULON (A)	COUPLE DE SERRAGE DE BOULON *							
	4,8		8,8		10,9		12,9	
	NM	PI-LB	NM	PI-LB	NM	PI-LB	NM	PI-LB
M3	0,5	0,4	–	–	–	–	–	–
M4	3	2,2	–	–	–	–	–	–
M5	5	4	–	–	–	–	–	–
M6	6	4,5	11	8,5	17	12	19	14,5
M8	15	11	28	20	40	30	47	35
M10	29	21	55	40	80	60	95	70
M12	50	37	95	70	140	105	165	120
M14	80	60	150	110	225	165	260	190
M16	125	92	240	175	350	255	400	300
M18	175	125	330	250	475	350	560	410
M20	240	180	475	350	675	500	800	580
M22	330	250	650	475	925	675	1075	800
M24	425	310	825	600	1150	850	1350	1000
M27	625	450	1200	875	1700	1250	2000	1500

\* Les valeurs de couple pour les boulons et vis à chapeau sont identifiées par leurs repères sur leurs têtes.

Les nombres indiqués ci-dessus sont valables pour des filets et des têtes non graissés ou non huilés à moins que cela ne soit autrement spécifié. Par conséquent, ne pas graisser ni huiler les boulons ou vis à chapeau à moins que cela ne soit autrement spécifié dans ce manuel. Quand on utilise des éléments de verrouillage, augmenter les valeurs de couple de 5%.

# 8 LES OPTIONS

## Partie

---

N° DE RÉFÉRENCE	DESCRIPTION
102225155	,155 DIA. CROSS-FIRE®, (50 bandes / 21 ")
311155066	,155 DIA. CROSS-FIRE, 1. livre
314155056	,155 DIA. CROSS-FIRE, 3 livre
102225175	,175 DIA. CROSS-FIRE, (50 bandes / 21 ")
311175067	,175 DIA. CROSS-FIRE, 1. livre
314175057	,175 DIA. CROSS-FIRE, 3 livre
99944400001	TRAITÉ THERMIQUEMENT MOW BOWL
99944400000	TÊTE PRO-LINE



*Tête pro-line, 99944400000*

# 9

## Partie

# ENREGISTREMENT

---

## ENREGISTREMENT DE PRODUIT

MERCI D'AVOIR CHOISI ECHO POWER EQUIPMENT

SVP ALLEZ SUR [HTTP://WWW.ECHO-USA.COM/WARRANTY/REGISTER-YOUR-ECHO](http://www.echo-usa.com/warranty/register-your-echo) AFIN D'ENREGISTRER VOS UNITÉS NEUVES EN LIGNE. C'EST RAPIDE ET FACILE! NOTE: VOS INFORMATIONS NE SERONT JAMAIS VENDUES OU UTILISÉES INADÉQUATEMENT PAR ECHO INCORPORÉ. L'ENREGISTREMENT DES UNITÉS NOUS PERMET DE VOUS CONTACTER DANS L'ÉVENTUALITÉ IMPROBABLE D'UN RAPPEL OU D'UNE MISE À NIVEAU TECHNIQUE AINSI QUE CERTIFIER QUE VOUS EN ÊTES LE PROPRIÉTAIRE EN CAS DE BESOIN D'UNE RÉPARATION SOUS GARANTIE.

SI VOUS N'AVEZ PAS ACCÈS A L'INTERNET VOUS POUVEZ COMPLÉTER LE FORMULAIRE CI-INCLUS ET LE POSTER À L'ADRESSE SUIVANTE:

ECHO INCORPORATED, PRODUCT REGISTRATION  
PO BOX 1139,  
LAKE ZURICH IL 60047





# PRODUCT REGISTRATION CARD : TARJETA DE REGISTRO : CARTE D'ENREGISTREMENT DU PRODUIT

**ONLINE OPTION:** Register online and save a stamp! You will be alerted of product updates and/or be sent new ECHO product information and special offers. Simply go to: [www.echo-usa.com](http://www.echo-usa.com)

**OPCIÓN POR INTERNET:** Regístrese en la página web y ahorre una estampilla! Le alertarán sobre actualizaciones del producto y/o se le enviara información sobre los nuevos productos ECHO y las ofertas especiales. Simplemente visite: [www.echo-usa.com](http://www.echo-usa.com)

**OPTION EN LIGNE :** Enregistrer en ligne et épargner un timbre! Vous serez informé sur les nouveaux produits ECHO et les mises à jour de produit ainsi que les offres spéciales. Simplement visitez le: [www.echo-usa.com](http://www.echo-usa.com)

Please Print : Por Favor Escriba Con Letra De Molde : En Lettre Carré S.V.P.

Confidential: Information provided will not be shared or sold

Purchaser's Name : Nombre del Comprador : Nom de l'acheteur		
Address : Dirección : Adresse		
City : Ciudad : Ville	State : Estado : Province	Zip Code : Código Postal : Code Postal
E-Mail Address : Dirección De Correo Electrónico : Courrier Électronique		
Phone Number : Número De Teléfono : Téléphone	Date of Purchase : Fecha de la Compra : Date de l'achat	
Where Purchased : Nombre del Almacén donde fue Comprado : Lieu d'achat		
Model Number : Numero del Modelo : No. de modèle	Serial Number : Numero de Serie : No. de série	

Registering your purchase enables us to contact you in the unlikely event of a service update or product recall and verifies your ownership in the event of loss. El registrar su compra nos permite estar en contacto con usted en caso de cualquier evento como el aviso de tiempo de servicio o la revocación del producto y verificación de propiedad en caso de robo o pérdida. L'enregistrement de votre achat nous permettra de vous contacter dans le cas improbable de modifications des instructions d'entretien ou de rappel du produit et vérifier que vous êtes le propriétaire en cas de vol ou de perte.

Primary use of tool:  Professional  Homeowner  Rental Equip.  
Use primarily de la herramienta:  Profesional  Dueño de casa  Alquiler  
Usage principal :  Professionnel  Residential  Location

Do you wish to receive periodic ECHO product information and special offers by e-mail?  Yes  No

¿Desea usted recibir información periódica y ofertas especiales por correo electrónico sobre el producto ECHO?  Yes  No

Souhaitez-vous recevoir périodiquement de l'information sur les produits ECHO et les offres spéciales par courrier électronique ?  Oui  Non

Did you visit the ECHO website before purchasing your product?  Yes  No

Visitó usted la página web ECHO antes de comprar su producto?  Si  No

Avez-vous visité le site d'ECHO avant de procurer votre produit?  Oui  Non

What factor(s) most influenced your purchase?

- |  |   |                                   |
|--|---|-----------------------------------|
| <input type="checkbox"/> Performance   | <input type="checkbox"/> Price            | <input type="checkbox"/> Dealer   |
| <input type="checkbox"/> Reliability   | <input type="checkbox"/> Prior Experience | <input type="checkbox"/> Quality  |
| <input type="checkbox"/> Friend/Family | <input type="checkbox"/> Brand            | <input type="checkbox"/> Warranty |

¿Qué factor(es) influyó más en su compra?

- |   |   |                                       |
|---|---|---------------------------------------|
| <input type="checkbox"/> Funcionamiento | <input type="checkbox"/> Precio               | <input type="checkbox"/> Distribuidor |
| <input type="checkbox"/> Confiabilidad  | <input type="checkbox"/> Experiencia Anterior | <input type="checkbox"/> Calidad      |
| <input type="checkbox"/> Amigo/Familia  | <input type="checkbox"/> Marca                | <input type="checkbox"/> Garantía     |

Quel facteur (facteurs) vous a influencé le plus?

- |                                      |                                     |                                   |
|--------------------------------------|-------------------------------------|-----------------------------------|
| <input type="checkbox"/> Performance | <input type="checkbox"/> Prix       | <input type="checkbox"/> Marchand |
| <input type="checkbox"/> Fiabilité   | <input type="checkbox"/> Expérience | <input type="checkbox"/> Qualité  |
| <input type="checkbox"/> Ami/Famille | <input type="checkbox"/> Marque     | <input type="checkbox"/> Garantie |

ECHO INC., 400 Oakwood Rd., Lake Zurich, IL 60047  
1.800.432.ECHO [WWW.ECHO-USA.COM](http://WWW.ECHO-USA.COM)

FRANÇAIS

X7572270206 02-2012



**ECHO INCORPORATED**

400 Oakwood Road  
Lake Zurich, IL 60047  
[www.echo-usa.com](http://www.echo-usa.com)