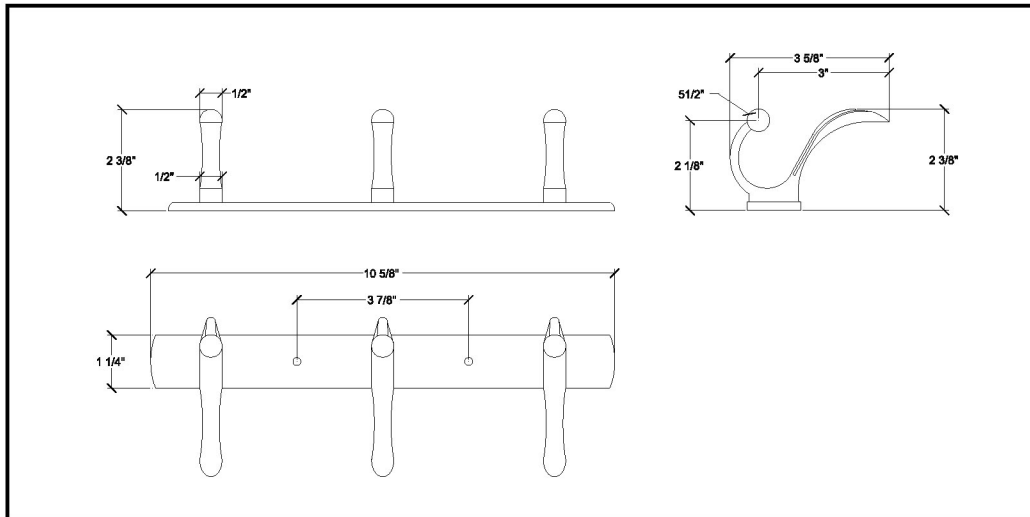


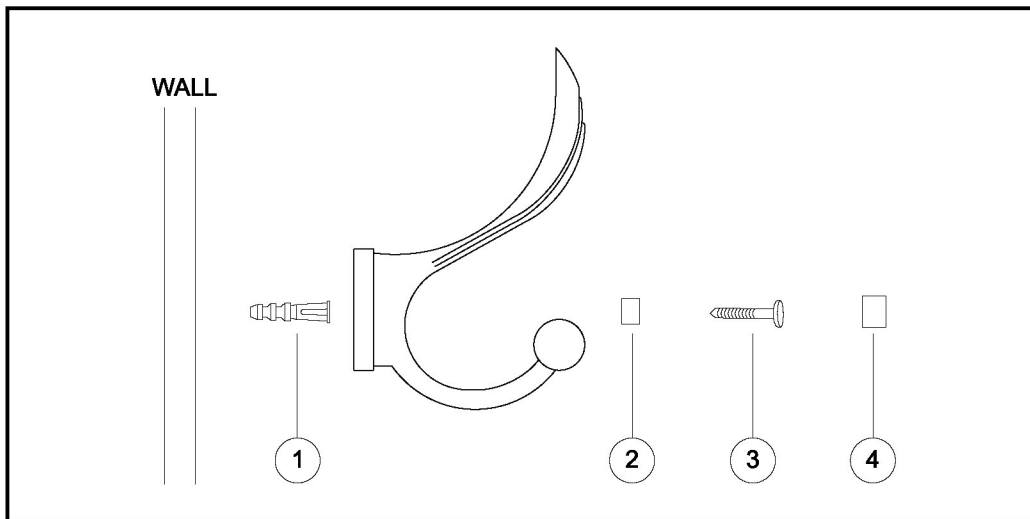
3H03-A

Triple Robe & Towel Hook - Chrome

Dimension



Installation



Installation :

1. Hold hook plate up to wall and use pencil to mark location through screw holes.
2. Drill screw holes and insert plastic screw anchors (1).
3. Insert round plastic cap fixers (2) into screw with flat edge up.
4. Affix robe hook to wall by screwing screw into screw holders.
5. Screw caps (4) onto top of screws.