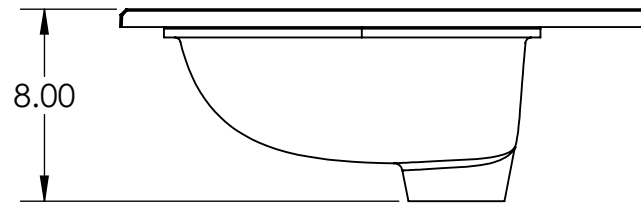
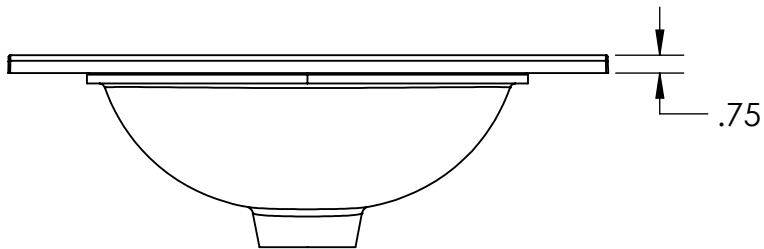
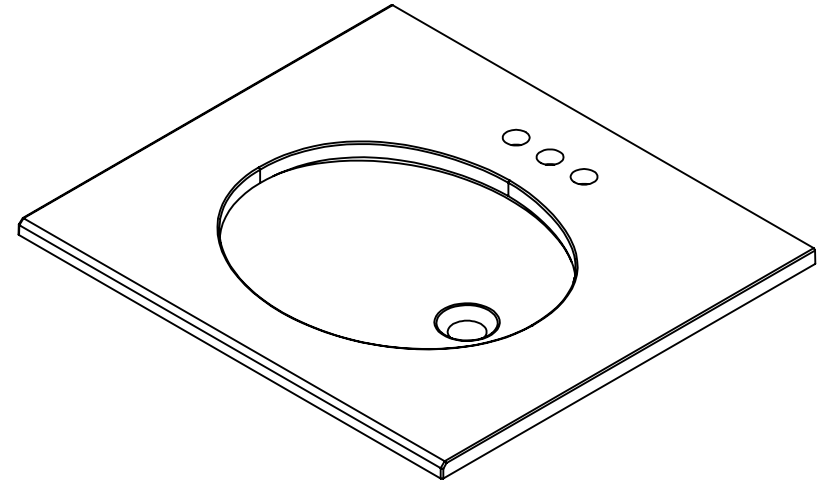
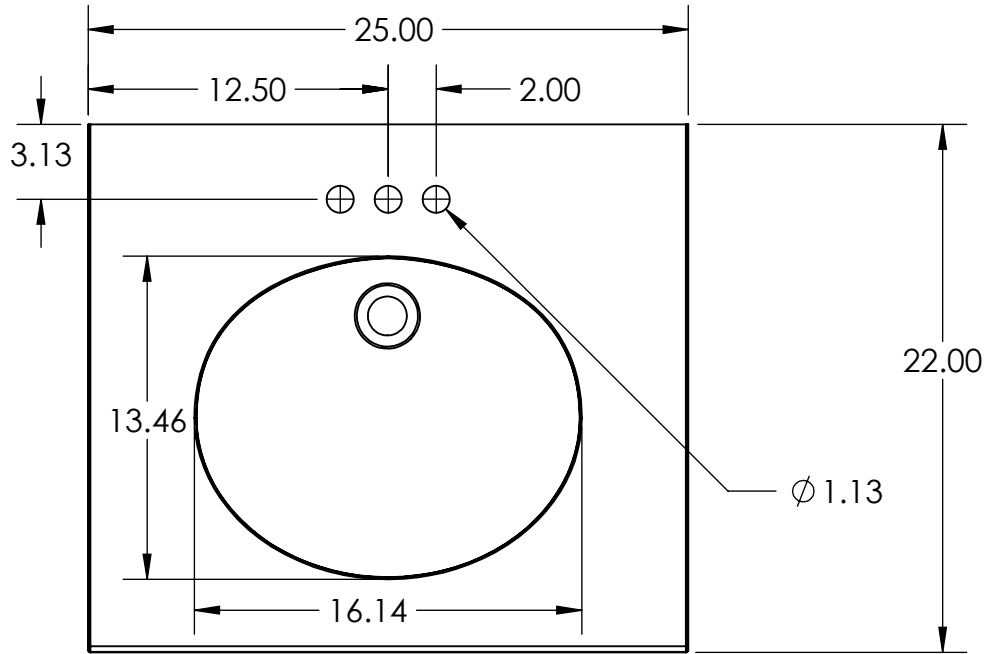



DRAWING TYPE	ITEM ID	ITEM DESCRIPTION	TECHNOLOGIES	DRAWING STATUS
Finish Good	SE25220-CE	Vtop Oval 25x22 Carrera	Stone Effect	Design Process



Estimated Weight: 14.01 kg

PROPRIETARY AND CONFIDENTIAL THE INFORMATION CONTAINED IN THIS DRAWING IS THE SOLE PROPERTY OF WOODCRAFTERS. ANY REPRODUCTION IN PART OR AS A WHOLE WITHOUT THE WRITTEN PERMISSION OF WOODCRAFTERS IS PROHIBITED.	UNLESS OTHERWISE SPECIFIED				SHEET 1 OF 1 REV: 1	
	DIMENSIONS ARE IN MM. AND (INCHES)					DRAWN: J.Martinez 4/08/16
	TOLERANCES ARE + 0.125 [3.175] - 0.125 [-3.175]					CHECKED: R. Rubio 4/08/16
	SCALE:1:10					ENG APPR.: V. Sanchez 4/08/16
						MFG APPR.: C. Leal 4/08/16
SIZE DWG. NO. A Vtop Oval 25x22 Stone Effect						