

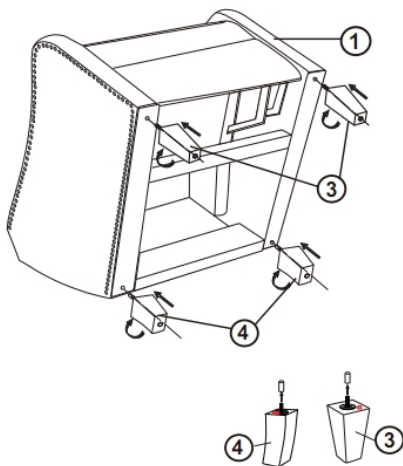
# Assembly Instructions

1. Remove all parts from the carton and place them on a protected surface or carpet. Take out the wood legs (3 & 4) out of the seat box.



No.	Parts	Quantity
1		1
2		1
3		2
4		2

2. Attach the wood legs (3 & 4) to the corners of the seat cushion (1) as shown.



Correct side view  
Vue latérale correcte  
Vista lateral correcta



Correct back view  
Vue arrière correcte  
Vista posterior correcta



Incorrect side view  
Vue latérale incorrecte  
Vista lateral incorrecta



Incorrect side view  
Vue latérale incorrecte  
Vista lateral incorrecta

3. Attach the back cushion (2) to the seat cushion (1) by sliding the receivers into the mechanism posts located on the seat cushion (1). From the front of the recliner, press down on both sides of the back cushion (2) to firmly secure. The back cushion (2) and seat cushion (1) will automatically lock into place. Then pull the back flap down tightly and attach the back flap to the bottom of the seat cushion (1).

