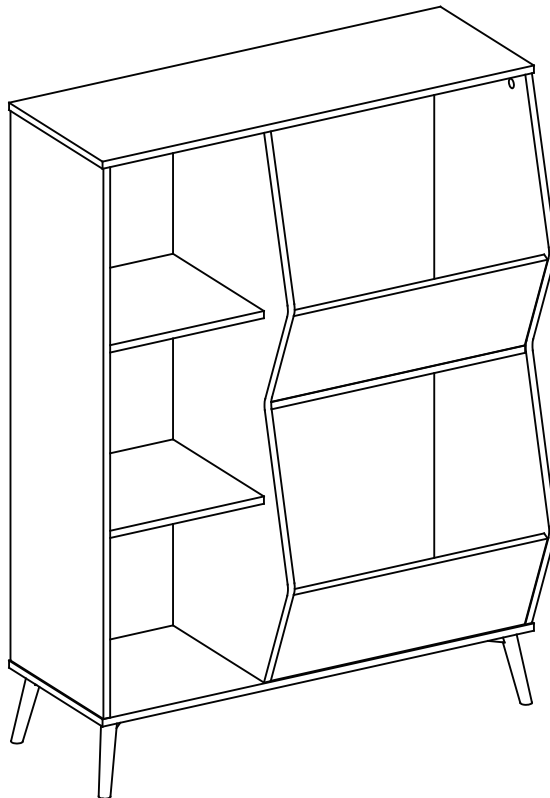




## ASSEMBLY INSTRUCTIONS



### RiverRidge® Woodbury Storage Cabinet with Cubbies and Veggie Bins

ITEM #:16-031

#### **ADULT ASSEMBLY REQUIRED**

This product requires assembly by an adult because of small parts. Care should be taken in unpacking and assembling this item to keep small parts away from children. During assembly children should be kept away from the product due to possible risk of injury.

#### **WARNING SEE FULL WARNING ON PAGE 2**

Young children can be seriously injured or killed if furniture tips over.  
Don't use this item for a TV stand or place heavy objects on top of item.  
Always use angle-braces or anchors to secure furniture to the wall.

**THIS SHELF UNIT WILL HOLD UP TO 20 POUNDS PER TOP BOARD AND PER SHELF FOR A TOTAL OF 120 POUNDS. DO NOT LOAD SHELVES WITH MORE THAN 20 POUNDS. OVERLOADING WITH MORE THAN 20 POUNDS PER SHELF OR 120 POUNDS TOTAL MAY CAUSE SHELF TO TIP FROM WALL AND CAUSE DAMAGE TO THE SHELF OR SERIOUS INJURY OR DEATH.**

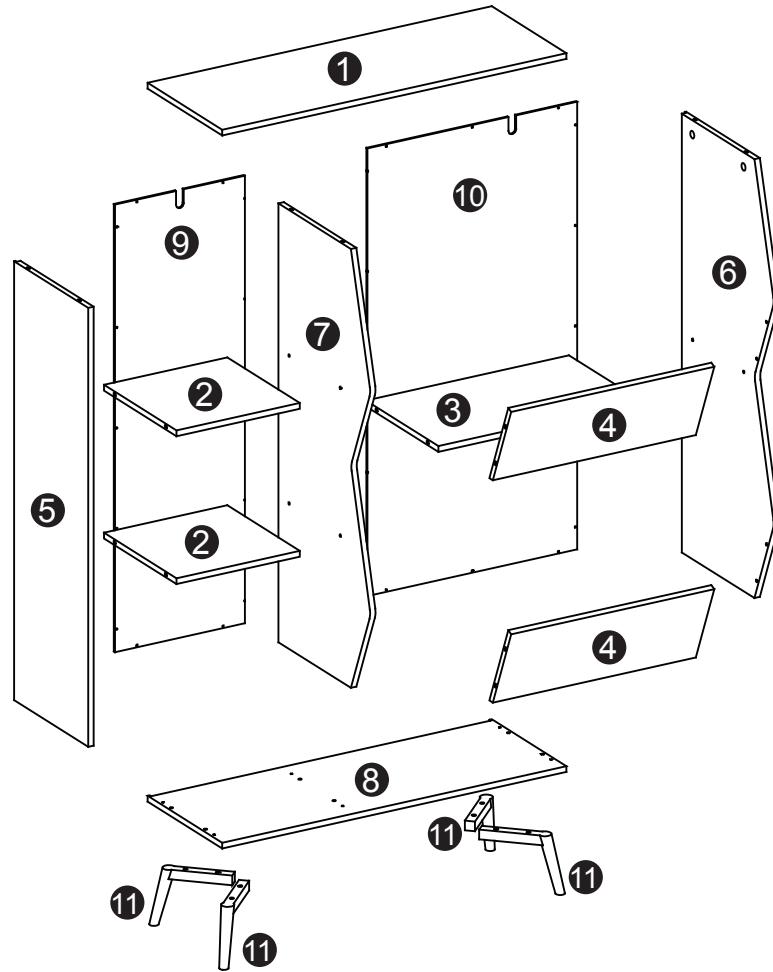


# **WARNING**

**SERIOUS OR FATAL INJURIES CAN OCCUR FROM FURNITURE TIP-OVER. TO HELP PREVENT TIP-OVER:**

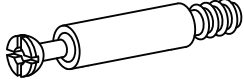


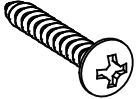
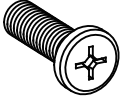


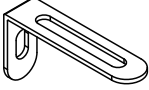

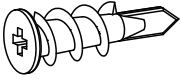
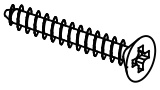
- **Always use tip over restraints and/or wall anchors to secure furniture to the wall**
- **Place heaviest items in the lowest drawers/bins or shelves**
- **Do not set TV's or other heavy objects on the top of this product**
- **Never allow children to climb or hang on to the drawers/bins, doors or shelves of furniture**
- **Never open more than one drawer at a time or defeat or remove any drawer interlock system**

# PARTS LIST



NO	QTY	DESCRIPTION
1	1PC	Top Board
2	2PCS	Left Shelf
3	1PC	Right Shelf
4	2PCS	Front Panel
5	1PC	Left Side Panel
6	1PC	Right Side Panel
7	1PC	Middle Support Panel
8	1PC	Bottom Board
9	1PC	Left Back Board
10	1PC	Right Back Board
11	4PCS	Metal Leg

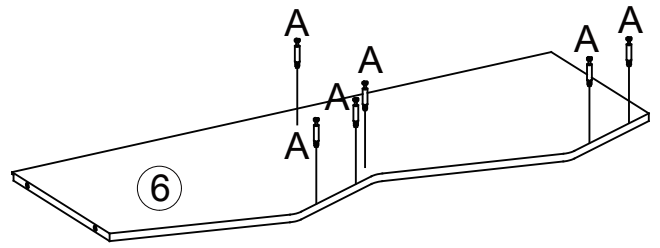
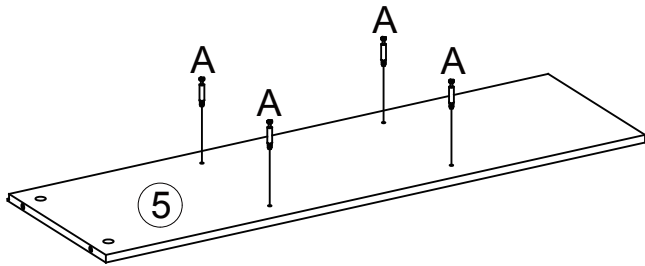
# PARTS LIST

NO	PARTS	QTY	DESCRIPTION
A		26PCS	Cam Bolt
B		26PCS	Cam Lock
C		6PCS	Wood Dowel (6x30mm)
D		6PCS	Screw (4x35mm)
E		8PCS	Machine Screw (6x30mm)
F		8PCS	Washer
G		25PCS	Screw (2.5x10mm)
H		2PCS	Adjustable Anchor Bracket
I		2PCS	Screw (4x10mm)
J		2PCS	Plastic Anchor
K		2PCS	Screw (4x30mm)

**TOOLS NEEDED FOR ASSEMBLY : FLAT & PHILLIPS SCREWDRIVER (NOT INCLUDED)  
THE USE OF A POWER SCREWDRIVER IS NOT RECOMMENDED FOR ASSEMBLY  
DO NOT USE ITEM IF ANY PARTS ARE MISSING OR DAMAGED**

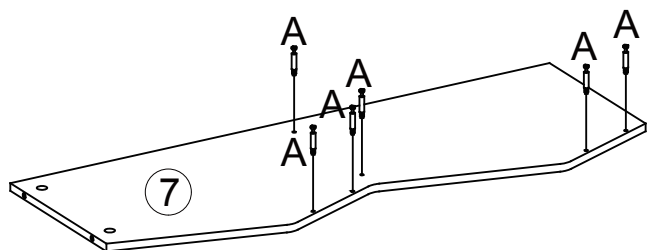
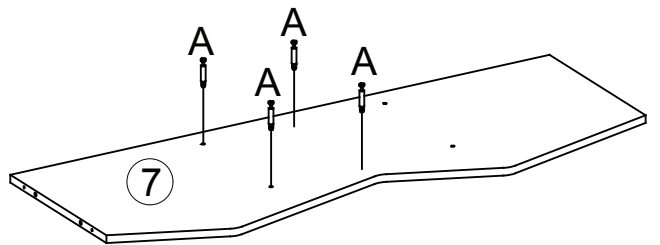
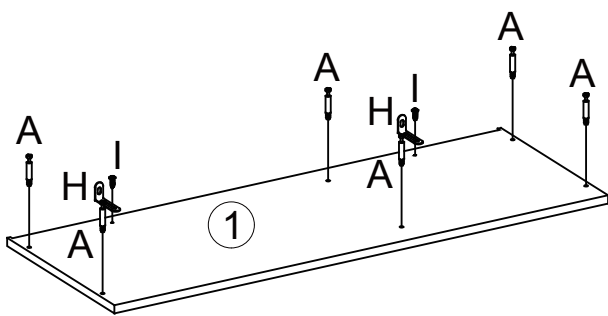
To order replacement parts at no cost to you, email [customer.service@ssi-rr.com](mailto:customer.service@ssi-rr.com), call 1-(844)-223-5201 or order parts online at [www.riverridgehome.com](http://www.riverridgehome.com). Only valid in the United States. If purchased outside of the United States, please contact retailer where purchased.

## STEP 1



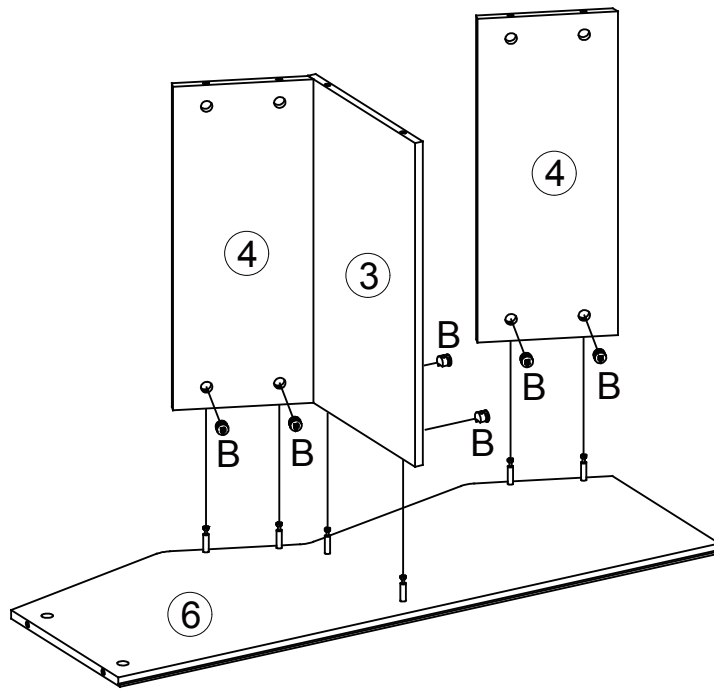
1. Screw 4 cam bolts (A) into cam bolt holes on left side panel (5).
2. Screw 6 cam bolts (A) into cam bolt holes on right side panel (6).

## STEP 2



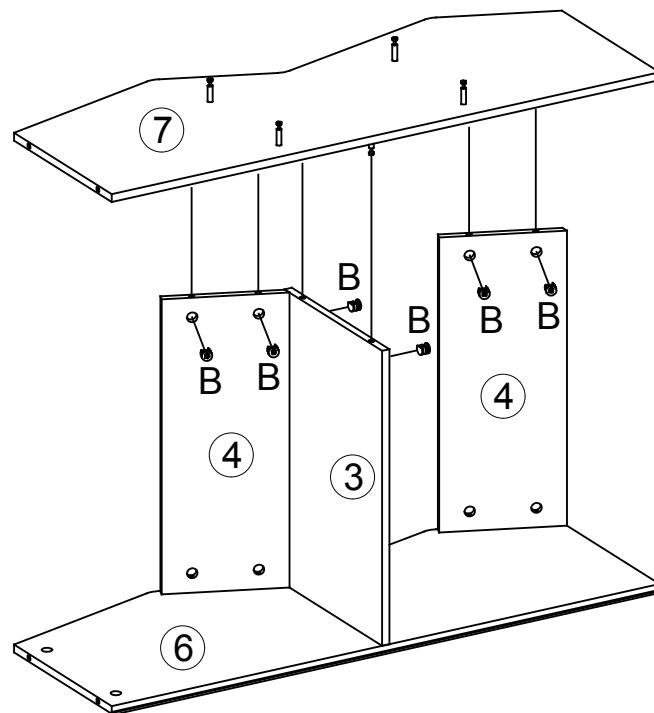
1. Screw 6 cam bolts (A) into cam bolt holes on top board (1).
2. Attach 2 adjustable anchor brackets (H) to top board (1) by inserting 2 screws (I) through holes on brackets (H), then tighten to top board (1).
3. Screw 4 cam bolts (A) into cam bolt holes on middle support panel (7), then screw 6 cam bolts (A) into cam bolt holes on other side of middle support panel (7).

## STEP 3



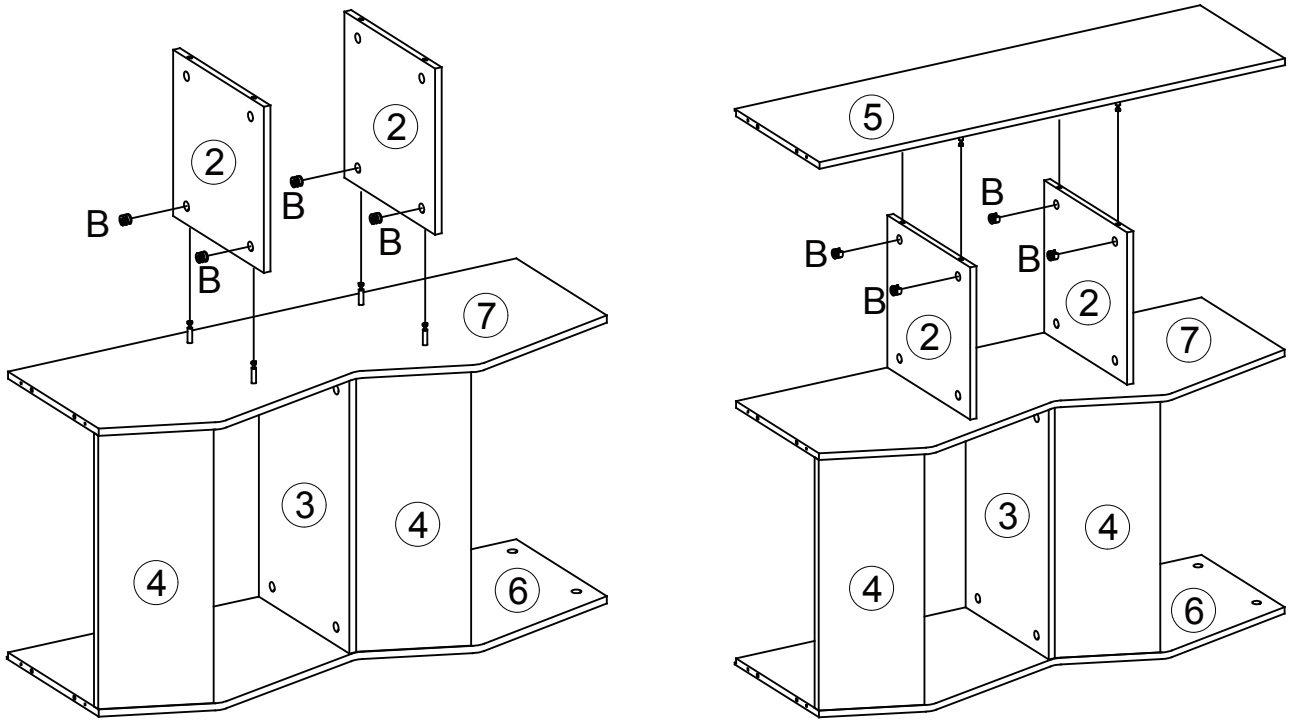
1. Attach right shelf (3) and 2 front panels (4) to right side panel (6) by inserting cam bolts (A) into cam lock holes on right shelf (3) and 2 front panels (4).
2. Insert 6 cam locks (B) into cam lock holes on right shelf (3) and 2 front panels (4), then rotate clockwise to secure cam bolts (A) in place.

## STEP 4



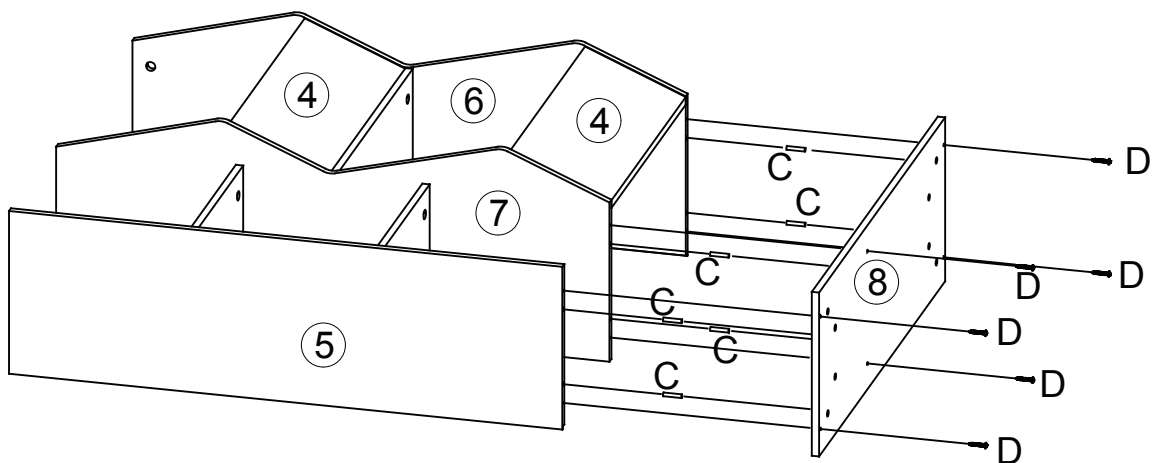
1. Attach middle support panel (7) to right shelf (3) and 2 front panels (4) by inserting cam bolts (A) into cam lock holes on right shelf (3) and 2 front panels (4).
2. Insert 6 cam locks (B) into cam lock holes on right shelf (3) and 2 front panels (4), then rotate clockwise to secure cam bolts (A) in place.

## STEP 5



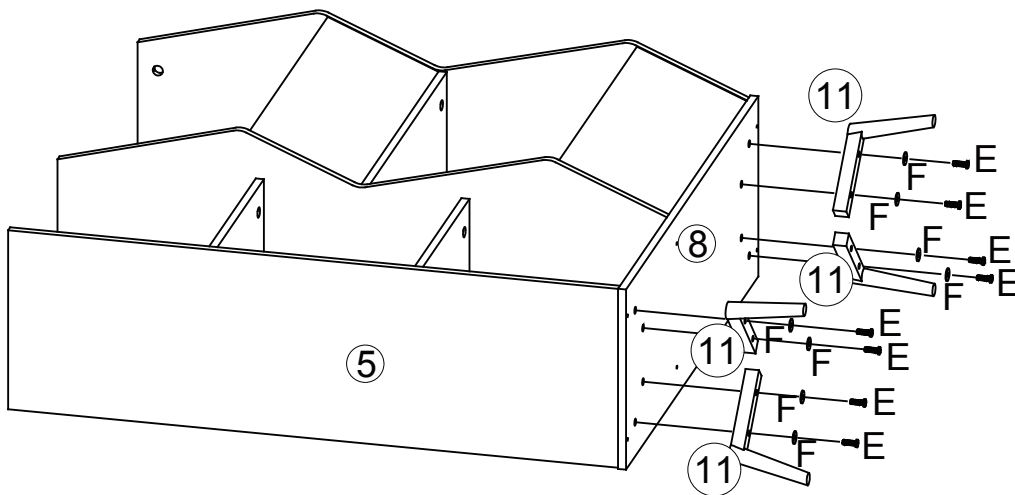
1. Attach 2 left shelves (2) to middle support panel (7) by inserting cam bolts (A) into cam lock holes on 2 left shelves (2).
2. Insert 4 cam locks (B) into cam lock holes on 2 left shelves (2) then rotate clockwise to secure cam bolts (A) in place.
3. Attach left side panel (5) to 2 left shelves (2) by inserting cam bolts (A) into cam lock holes on 2 left shelves (2).
4. Insert 4 cam locks (B) into cam lock holes on 2 left shelves (2) then rotate clockwise to secure cam bolts (A) in place.

## STEP 6



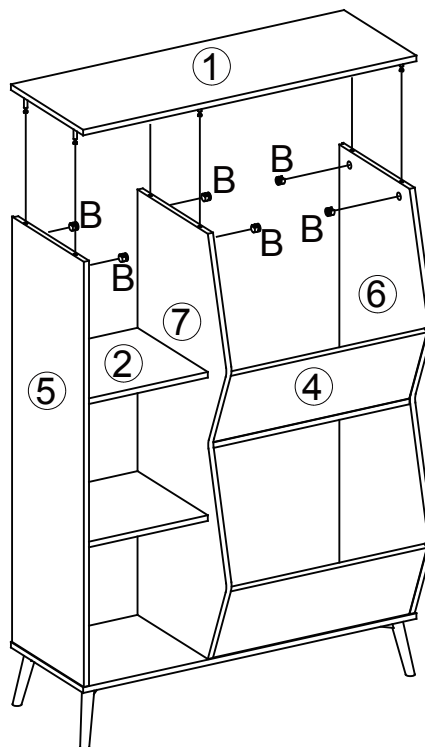
1. Insert 6 wood dowels (C) into wood dowel holes on bottom board (8).
2. Attach bottom board (8) to left side panel (5), right side panel (6) and middle support panel (7) by inserting wood dowels (C) into wood dowel holes on left side panel (5), right side panel (6) and middle support panel (7).
3. Insert 6 screws (D) through holes on bottom board, then tighten to left side panel (5), right side panel (6) and middle support panel (7).

## STEP 7



1. Attach 4 metal legs (11) to bottom board (8) by inserting 8 machine screws (E) through holes on 8 washers (F), then through holes on metal legs (11), then tighten to bottom board (8).

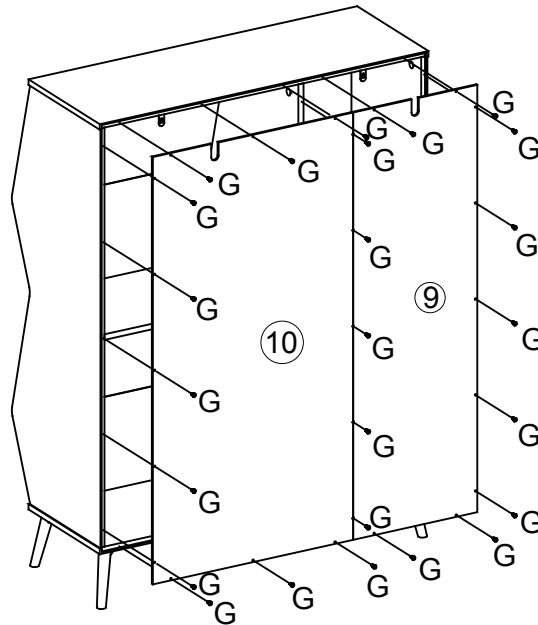
## STEP 8



1. Attach top board (1) to left side panel (5), right side panel (6) and middle support panel (7) by inserting cam bolts (A) into cam lock holes on left side panel (5), right side panel (6) and middle support panel (7).
2. Insert 6 cam locks (B) into left side panel (5), right side panel (6) and middle support panel (7), then rotate clockwise to secure cam bolts (A) in place.

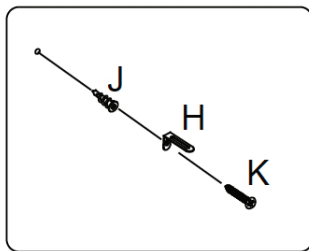


## STEP 9

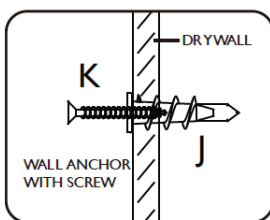


1. Attach left back board (9) and right back board (10) to back of cabinet by inserting 25 screws (G) through holes on left back board (9) and right back board (10) then tighten to back of cabinet.

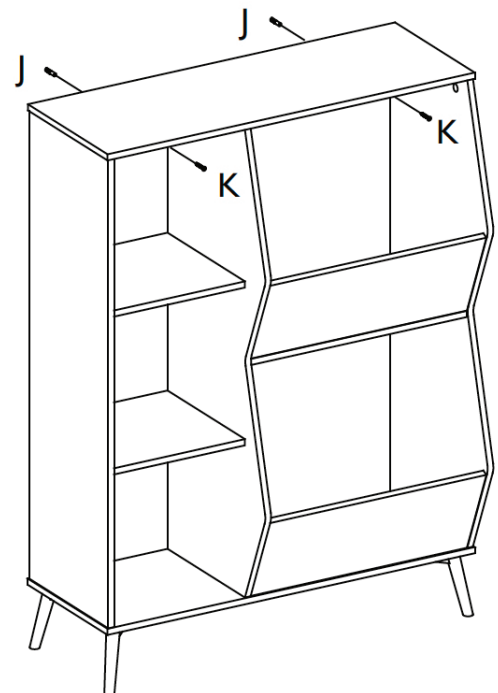
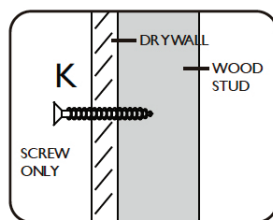
## STEP 10



OPTION #1



OPTION #2



### Option #1: Securing to Drywall

1. Position cabinet against wall in desired location. Using a pencil, make 2 small marks on wall through holes on brackets (H). Move cabinet away from wall and screw 2 plastic anchors (J) into wall on pencil marks.
2. Place cabinet against wall, insert 2 screws (K) through holes on metal brackets (H), then tighten to plastic anchors (J).

### Option #2: Securing to Drywall and Wood Stud

1. Position cabinet against wall in desired location. Insert 2 screws (K) through holes on metal brackets (H), then tighten through drywall and into wood stud.

\*Tip: Anchor brackets (H) can be adjusted to correct distance from wall to cabinet as needed. Once adjusted, be sure to re-tighten brackets inside cabinet for stability.

ATTENTION ADULTS: Cabinet should be checked periodically for damage or loose screws/parts. Take appropriate action necessary to correct hazards such as tightening of screws and taking any damaged parts away from children.

**WARNING  Please make sure your item is secured to the wall, per assembly instructions.**

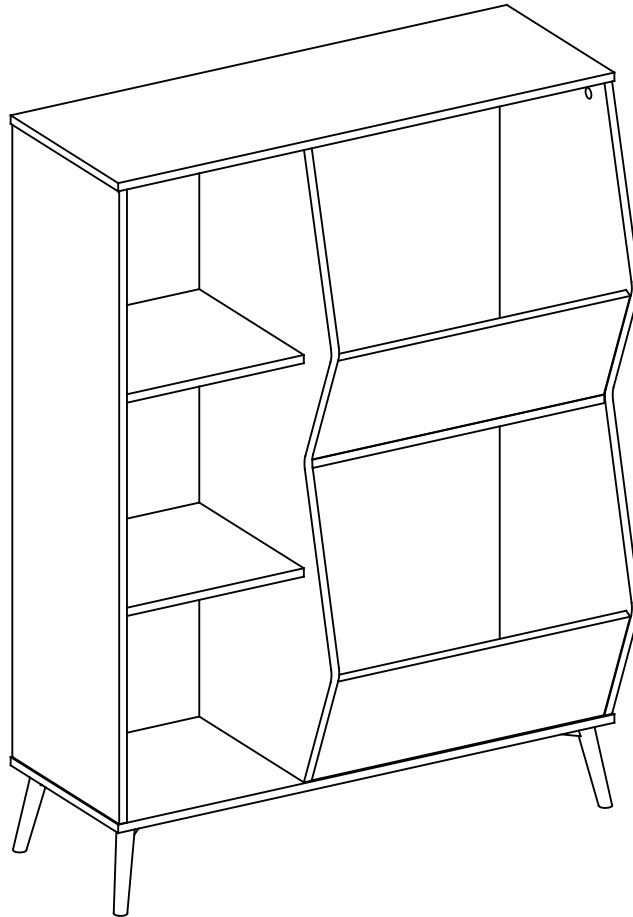
**CARE INSTRUCTIONS:**

Wipe clean with a water dampened cloth. Wipe dry with clean cloth.

**IMPORTANT:**

**Keep assembly instructions for future reference.**

## Enjoy your new RiverRidge® Cabinet!



Thank you for purchasing this RiverRidge® Home item. We hope you enjoy it and consider purchasing other RiverRidge® items.

To order replacement parts at no cost to you, email [customer.service@ssi-rr.com](mailto:customer.service@ssi-rr.com), call 1-(844)-223-5201 or order parts online at [www.riverridgehome.com](http://www.riverridgehome.com). Only valid in the United States. If purchased outside of the United States, please contact retailer where purchased.



RiverRidge® is a registered trademark of Sourcing Solutions, Inc., Hudson, WI 54016