

OWNER'S MANUAL

Microwave Oven

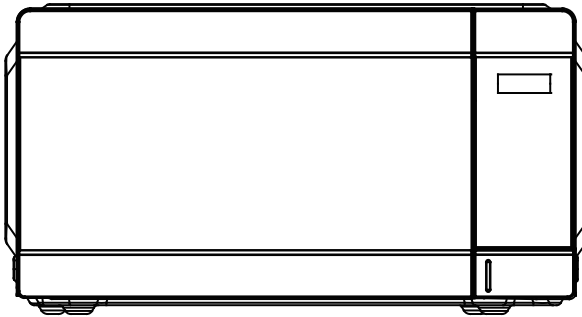
RMW1132-BLACK

RMW1132-WHITE

RMW1132-RED

RMW1134

RMW1178-B



1. READ these instructions carefully before installing and operating the oven. Keep them for further reference.
 2. Record in the space below the "SERIAL NO." found on the nameplate on your oven and retain this information for future reference.
- SERIAL NO.:

**THIS MICROWAVE OVEN SHOULD NOT BE
USED WITHOUT THE GLASS TURNTABLE**

For service assistance and product information please call: 1-800-968-9853.
Curtis International Ltd.
7045 BECKETT DRIVE UNIT 15 MISSISSAUGA ON L5S 2A3 www.curtisint.com

CONTENT

CONTENT.....	2
SPECIFICATIONS.....	2
PRECAUTIONS TO AVOID POSSIBLE EXPOSURE TO EXCESSIVE MICROWAVE ENERGY.....	3
IMPORTANT SAFETY INSTRUCTIONS.....	3
GROUNDING INSTRUCTIONS.....	5
INSTALLATION GUIDE.....	5
COOKING UTENSILS GUIDE.....	6
PARTS.....	7
CONTROL PANEL.....	7
OPERATION INSTRUCTIONS.....	8
Setting the clock.....	8
Quick start (1 touch express cooking).....	8
Setting the timer.....	8
+30 Sec function.....	8
Microwave cooking (power levels).....	8
Time defrost.....	9
Weight defrost.....	9
2 Stage stage cooking.....	10
Child lock.....	10
Auto cook.....	10
CLEANING AND CARE.....	11
WARRANTY.....	12

SPECIFICATIONS

Power Consumption	120 V/60 Hz, 1500 W(microwave)
Output	1000 W
Operation Frequency	2450 MHz
Outside Dimensions (w x d x h)	21.0"W x 15.4" D x 11.1" H
Oven Capacity	1.1 Cu.Ft.
Net Weight	Approx. 28.2lbs

PRECAUTIONS TO AVOID POSSIBLE EXPOSURE TO EXCESSIVE MICROWAVE ENERGY

1. Do not attempt to operate this oven with the door open since open-door operation can result in harmful exposure to microwave energy. It is important not to defeat or tamper with the safety interlocks.
2. Do not place any object between the oven front face and the door or allow soil or cleaner residue to accumulate on sealing surfaces.
3. Do not operate the oven if it is damaged. It is very important that the oven door close properly and that there is no damage to :
 - a) Door (including any bent)
 - b) Hinges and latches (broken or loosened)
 - c) Door seals and sealing surfaces
4. The oven should not be adjusted or repaired by anyone except qualified service personnel.

IMPORTANT SAFETY INSTRUCTIONS

WARNING : To reduce the risk of burns, electric shock, fire, injury to persons or exposure to excessive microwave energy:

1. Read all instructions before using the appliance.
2. Read and following the specific "PRECAUTIONS TO AVOID POSSIBLE EXPOSURE TO EXCESSIVE MICROWAVE ENERGY".
3. This appliance must be grounded. Connect only to properly grounded outlet. See "GROUNDING INSTRUCTIONS" on page 5.
4. Install or locate this appliance only in accordance with the provided installation instructions.
5. Do not operate the oven when empty.
6. Some products such as whole eggs and sealed containers -for example, closed glass jars- are able to explode and should not be heated in this oven.
7. Use this appliance only for its intended use as described in this manual. Do not use corrosive chemicals or vapor in this appliance. This type of oven is specifically designed to heat, cook, or dry food. It is not designed for industrial or laboratory use.
8. As with any appliance, close supervision is necessary when used by children. Cooking utensils or food in the cavity when not in use.
9. To reduce the risk of fire in the oven cavity:
 - a) Do not overcook food. Carefully attend appliance when paper, plastic, or other combustible materials are placed inside the oven to facilitate cooking.
 - b) Remove wire twist-ties from paper or plastic bags before placing bag in oven.
 - c) If materials inside the oven should ignite, keep oven door closed, turn oven off, and disconnect the power cord or shut off power at the fuse or circuit breaker panel.
 - d) Do not use the cavity for storage purposes. Do not leave paper products, cooking utensils or food in the cavity when not in use.
10. Liquids, such as water, coffee, or tea are able to be overheated beyond the boiling point without appearing to be boiling due to surface tension of the liquid. Visible bubbling or boiling when the container is removed from the microwave oven is not always present. THIS

COULD RESULT IN VERY HOT LIQUIDS SUDDENLY BOILING OVER WHEN A SPOON OR OTHER UTENSIL IS INSERTED INTO THE LIQUID. To reduce the risk of injury to person:

- a) Do not overheat the liquid.
 - b) Stir the liquid both before and halfway through heating it.
 - c) Do not use straight-sided containers with narrow necks.
 - d) After heating, allow the container to stand in the microwave oven for a short time before removing the container.
 - e) Use extreme care when inserting a spoon or other utensil into the container.
11. Do not heat oil or fat for deep-frying. It is difficult to control the temperature of oil in microwave oven.
 12. Do not cover or block any openings on the appliance.
 13. Do not store or use this appliance outdoors. Do not use this product near water, for example, near a kitchen sink, in a wet basement, near a swimming pool, or similar locations.
 14. Do not operate this appliance if it has a damaged cord or a plug, if it is not working properly or if it has been damaged or dropped.
 15. Do not immerse cord or plug in water. Keep cord away from heated surface. Do not let cord hang over edge of table or counter.
 16. This appliance should be serviced only by qualified service personnel, contact nearest authorized service facility for examination, repair, or adjustment.
 17. When cleaning surfaces of door and oven that comes together on closing the door, use only mild, nonabrasive soaps, or detergents applied with a sponge or soft cloth.
 18. This equipment has been tested and found to comply with Part 18 of the FCC Rules. Operation is subject to the following two conditions: (1) This device may not cause harmful interference, and (2) this device must accept any interference received, including interference that may cause undesired operation.

CAUTION : Changes or modifications not expressly approved by the party responsible for compliance could void the user's authority to operate the product.

19. As with any appliance, close supervision is necessary when the microwave oven is used by children.
20. If material inside of the oven should ignite, the oven door should be kept closed, the appliance turned off, the power cord disconnected, or the power shut off at the fuse or circuit breaker panel.
21. This equipment generates, uses and can radiate radio frequency energy and, if not installed and used in accordance with the instructions, may cause harmful interference to radio communications. However, there is no guarantee that interference will not occur in a particular installation. If this equipment does cause harmful interference to radio or television reception, which can be determined by turning the equipment off and on, the user is encouraged to try to correct the interference by one or more of the following measures:
 - Reorient or relocate the receiving antenna.
 - Increase the separation between the equipment and receiver.
 - Connect the equipment into an outlet on a circuit different from that to which the receiver is connected.
 - Consult the dealer or an experienced radio/TV technician for help.
22. The microwave should be serviced only by qualified service personnel. For service and repair, please contact our Customer Support Center at 1-800-968-9853.

SAVE THESE INSTRUCTIONS

GROUNDING INSTRUCTIONS

This appliance must be grounded. In the event of an electrical short circuit, grounding reduces risk of electric shock by providing an escape wire for the electric current. This appliance is equipped with a cord having a grounding wire with a grounding plug. The plug must be plugged into an outlet that is properly installed and grounded.

WARNING : Improper use of the grounding plug can result in a risk of electric shock. Consult a qualified electrician or serviceman if the grounding instructions are not completely understood, or if doubt exists as to whether the appliance is properly grounded, and if it is necessary to use an extension cord, use only a 3-wire extension cord that has a 3-blade grounding plug and a 3-slot receptacle that will accept the plug on the appliance. The marked rating of the extension cord shall be equal to or greater than the electrical rating of the appliance.

ELECTRICAL REQUIREMENTS

The electrical requirements are a 120 volt 60 Hz, AC only, 20 amp. It is recommended that a separate circuit serving only the oven be provided. The oven is equipped with a 3-prong grounding plug. It must be plugged into a wall outlet properly installed and grounded.

POWER CORD

1. A short power supply cord is provided to reduce the risks resulting from becoming entangled in or tripping over a longer cord.
2. Longer cord sets or extension cords are available and may be used if care is exercised in their use.
3. If long cord or extension cord is used:
 - a) The marked electrical rating of the cord set or extension cord should be at least as great as the electrical rating of the appliance.
 - b) The extension cord must be a grounding-type 3-wire cord, and The longer cord should be arranged so that it will not drape over the counter top or table top where it can be pulled on by children or tripped over unintentionally.

INSTALLATION GUIDE

1. Make sure that all the packing materials are removed from the inside of the door.
2. This microwave oven must be placed on a flat surface.
3. For correct operation, the oven must have sufficient air flow. Allow 20 cm (8") of space above the oven, 10 cm (4") at back and 5 cm (2") at both sides. Do not cover or block any openings on the appliance. Do not remove feet on which oven stands.
4. Do not operate the oven without glass tray, roller support, and shaft in their proper positions.
5. Make sure that the power cord is undamaged and does not run under the oven or over any hot or sharp surface.
6. The socket must be readily accessible so the microwave oven can be easily unplugged in an emergency.

COOKING UTENSILS GUIDE

This section lists which utensils can be used in this microwave, which have limited use for short periods, and which should not be used in this microwave.

RECOMMENDED

Microwave browning dish— Used to brown the exterior of small items such as steaks, chops, or pancakes. Follow the directions provided with your browning dish.

Microwaveable plastic wrap— Used to retain steam. Leave a small opening for some steam to escape and avoid placing it directly on the food.

Paper towels and napkins— Used for short-term heating and covering; these absorb excess moisture and prevent spattering. Do not use recycled paper towels, which may contain metal and could ignite.

Glass and glass-ceramic bowls and dishes— Used for heating or cooking.

Paper plates and cups— Used for short-term heating at low temperatures. Do not use recycled paper, which may contain metal and could ignite.

Wax paper— Used as a cover to prevent spattering.

Thermometers— Used only those labeled “Microwave Safe” and follow all directions. Check the food in several places. Conventional thermometers may be used on microwave food once the food has been removed from the oven.

LIMITED USE

Aluminum foil — Used narrow strips of foil to prevent overcooking of exposed areas. Using too much foil can damage your oven. You should keep distance of 1 inch (2.54 cm) between aluminum foil and cavity.

Ceramic, porcelain, and stoneware— Use these if they are labeled “Microwave Safe”. If they are not labeled, test them to make sure they can be used safely.

Plastic — Use only if labeled “Microwave Safe”. Other plastics can melt.

NOT RECOMMENDED

Glass jars and bottles— Regular glass is too thin to be used in a microwave. It can shatter and cause damage and injury.

Paper bags— There are a fire hazard, except for popcorn bags that are designed for microwave use.

Styrofoam plates and cups— These can melt and leave an unhealthy residue on food.

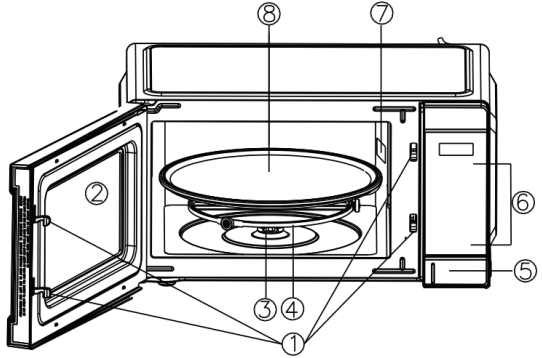
Plastic storage and food containers — Containers such as margarine tubs can melt in the microwave.

Metal utensils — These can damage your oven. Remove all metal before cooking.

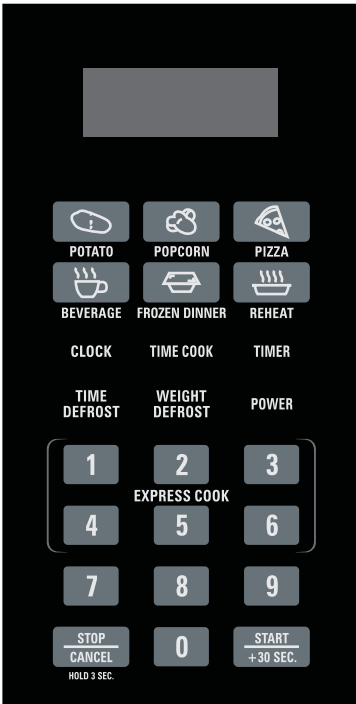
Note :Should you wish to check if a dish is safe for microwaving, place the empty dish in the oven and microwave on HIGH for 30 seconds. A dish which becomes very hot should not be used.

PARTS

1. Door Safety Lock System
2. Oven Window
3. Shaft
4. Roller Ring
5. Door Release Button
6. Control Panel
7. Wave Guide
- (Please do not remove the mica plate covering the wave guide)
8. Glass Turntable



CONTROL PANEL



MENU ACTION SCREEN

Cooking time, power, indicators and present time are displayed.

AUTO COOK MENUS

Instant settings to cook popular foods.

CLOCK

Press to set clock time.

TIME COOK

Press to set microwave cooking program.

TIMER

Press to set timer function.

TIME DEFROST

Press to defrost food based on time.

WEIGHT DEFROST

Press to defrost food based on weight.

POWER LEVEL

Press to set cooking power level.

NUMBER BUTTONS (0-9)

Use to set time or food weight. Press buttons from 1 to 6 to set express cooking program.

STOP/CANCEL

Press once to temporarily stop cooking, or twice to cancel cooking altogether.

It is also used to set child lock.

START/+30 SEC

Press to start cooking programs.

Simply press it a number of times to set cooking time and cook immediately at full power level.

OPERATION INSTRUCTIONS

- When the oven is first plugged in, the display will show “1:01”.
- In the process of setting, if there is not any operation within 30 seconds or press STOP/CANCEL button, the oven will return to standby mode.
- When cooking, if you press the STOP/CANCEL button once, the program will be paused. Press the START/+30 SEC. button to resume. Note: If you press STOP/CANCEL button twice, the program will be cancelled.
- Once the microwave cooking has ended, the display will show End the unit will beep every two minutes until user press STOP/CANCEL button or opens the door.

SETTING THE CLOCK

This is a 12- or 24- hour clock. You can choose to set the clock time in 12- or 24- hour mode by pressing the CLOCK button in standby mode.

1. In standby mode, press CLOCK button repeatedly to select 12- or 24- hour clock.
2. Use number buttons to set the correct time.
3. Press CLOCK or START/+30 SEC button once to confirm.

NOTE : During cooking, you can check the current clock time by pressing CLOCK button.

SETTING THE TIMER

1. In standby mode or during cooking, press TIMER button once.
2. Use number buttons to set desired time. The longest time is 99 minutes and 99 seconds.
3. Press START/+30 SEC button once to confirm.

NOTE: When the countdown ends, the buzzer will beep to remind you. You can check the countdown time by pressing TIMER button, if press STOP/CANCEL button when the display shows the time, the function will be cancelled.

QUICK START (1 TOUCH EXPRESS COOKING)

Directly in standby mode, when you press a number button (1, 2, 3, 4, 5 or 6) once, The system starts the cooking program directly with the corresponding time (respectively 1 minute, 2 minutes, 3 minutes, 4 minutes, 5 minutes and 6 minutes). The microwave oven will start to cook at full power level.

+30 SEC FUNCTION

Use this feature to program the oven to microwave food at 100% power conveniently. In standby mode, press START/+30 SEC button repeatedly to set cooking time (each press to increase 30 seconds, and up to 99 minutes and 99 seconds). The oven will start cooking automatically.

NOTE :During cooking (except auto cook menus, time defrost and weight defrost), you can add cooking time by pressing START/+30 SEC button.

MICROWAVE COOKING (POWER LEVELS)

1. In standby mode, press TIME COOK button once.
2. Use number buttons to set cooking time. The longest time is 99 minutes and 99 seconds.
3. Press POWER LEVEL button once (default 100% power level), and then use number buttons to set a power level.
4. Press START/+30 SEC button once to confirm.

Use single digit to set a cooking power level :

Press Number button	Power (Display)	Press Number button	Power (Display)
1, 0	100% (P10)	4	40% (P-4)
9	90% (P-9)	3	30% (P-3)
8	80% (P-8)	2	20% (P-2)
7	70% (P-7)	1	10% (P-1)
6	60% (P-6)	0	0% (P-0)
5	50% (P-5)		

NOTE : During cooking, you can check the current power level by pressing POWER LEVEL button.

TIME DEFROST

1. In standby mode, press TIME DEFROST button once.
2. Use number buttons to set defrosting time. The longest time is 99 minutes and 99 seconds.
3. Press STRAT/+30 SEC button to confirm.

NOTE : During defrosting, the system will pause and sound to remind user to turn food over, after that press START/+30 SEC button to resume defrosting.

WEIGHT DEFROST

The defrosting time and power are adjusted automatically once food weight is programmed. The frozen food weight ranges from 4 oz to 64 oz. (113 g-1.8 kg)

1. In standby mode, press WEIGHT DEFROST button once.
2. Use number buttons to set food weight.
3. Press STRAT/+30 SEC button to confirm.

NOTE:

- During defrosting, the system will pause and sound to remind user to turn food over, after that press START/+30 SEC button to resume defrosting.
- Weight must be in pounds and ounces. If label gives weight in pounds only, change the fraction of a pound to ounces using the following chart.

Converting fractions of a pound to ounces :

Fractions of a pound	Ounces	Fractions of a pound	Ounces
Less than .03	0	.54 to .59	9
.03 to .09	1	.60 to .65	10
.10 to .15	2	.66 to .71	11
.16 to .21	3	.72 to .78	12
.22 to .27	4	.79 to .84	13
.28 to .34	5	.85 to .90	14
.35 to .40	6	.91 to .97	15
.41 to .46	7	above .97	go to next even
.47 to .53	8		

2-STAGE COOKING

Your oven can be programmed up to 2 automatic cooking sequences. Refe to Page 11- Microwave Cooking Power Level. Suppose you want to set the following cooking program.

Microwave cooking



Microwave cooking (with lower power level)

1. Input first microwave cooking program. Do not press START/+30 SEC button.
2. Input second microwave cooking program.
3. Press START/+30 SEC button to start.

NOTE : Only microwave cooking program can be set in multistage cooking program.

CHILD LOCK

The lock prevents unsupervised operation by children.

To set: In standby mode, press and hold STOP/CANCEL button for more than 3 seconds, then a beep will sound, the oven will auto enter child lock mode and the lock indicator light will turn on. Press any button, lock indication appears on the display for 3 seconds.

To cancel :Press and hold STOP/CANCEL button for more than 3 seconds, then a beep will sound, and the lock indicator light will disappear.

BUTTON CLOSED PROTECTION

In the event that a button is set and cancelled continuously for one minute, the microwave will stop working. The display will show "FAIL" and the unit will beep every minute. Press the STOP/ CANCEL button to return to standby mode.

AUTO COOK

For the following food or cooking mode, it is not necessary to program the cooking power and time. It is sufficient to indicate the type of food that you wish to cook as well as the weight or servings of the food.

1. In standby mode, press the corresponding menu button once or repeatedly to set food weight or servings.
2. Press START/+30 SEC button to start.

Auto cook menus :

Code	Food	Note
1	Potato (8 oz/Pc, 1-2 Pc)	The result of auto cook depends on factors such as the shape and size of food, your personal preference as to the doneness of certain foods and even how well you happen to place food in the oven. If you find the result at any rate not quite satisfactory, please adjust the cooking time a little bit accordingly.
2	Popcorn (3.2 oz)	
3	Pizza (6 oz, 11 oz, 16 oz)	
4	Beverage (8 oz, 12 oz, 16 oz)	
5	Frozen Dinner (9 oz, 18 oz)	
6	Reheat (7 oz - 28 oz)	

CLEANING AND CARE

1. Turn off the oven and unplug the power cord from the wall when cleaning.
2. Keep the inside of the oven clean. When food splatters or spilled liquids adhere to oven walls, wipe with a damp cloth. Mild detergents may be used if the oven gets very dirty. Avoid using spray or other harsh cleaners. They may stain, streak or dull the door surface.
3. The outside of the oven should be cleaned with a damp cloth. To prevent damage to the operating parts inside the oven, water should not be allowed to seep into the ventilation openings.
4. Wipe the door and window on both sides, the door seals and adjacent parts frequently with a damp cloth to remove any spills or spatters. Do not use abrasive cleaner.
5. Do not allow the control panel to become wet. Clean with a soft, damp cloth. When cleaning the control panel, leave oven door open to prevent oven from accidentally turning on.
6. If steam accumulates inside or around the outside of the oven door, wipe with a soft cloth. This may occur when the microwave oven is operated under high humidity condition. And it is normal.
7. It is occasionally necessary to remove the glass tray for cleaning. Wash the tray in warm sudsy water or in a dishwasher.
8. The roller ring and oven floor should be cleaned regularly to avoid excessive noise. Simply wipe the bottom surface of the oven with mild detergent. The roller ring may be washed in mild, soapy water or in a dishwasher. When removing the roller ring, be sure to replace it in the proper position.
9. Remove odors from your oven by combining a cup of water with the juice and skin of one lemon in a microwaveable bowl. Microwave for 5 minutes. Wipe thoroughly and dry with a soft cloth.
10. If the light bulb burns out, please contact customer service to have it replaced.
11. The oven should be cleaned regularly and any food deposits should be removed. Failure to maintain the oven in a clean condition could lead to deterioration of surface that could adversely affect the life of the unit and could possibly result in a hazardous situation.
12. Please do not dispose of this appliance into the domestic rubbish bin; it should be disposed to the particular disposal center provided by the municipalities.

To make a warranty claim, do not return this product to the store. Please email support@curtiscs.com or call 1-800-968-9853.

1 Year Warranty

This product is warranted to be free from defects in material and workmanship for a period of one (1) year from the date of original purchase. During this period, your exclusive remedy is repair or replacement of this product or component found to be defective, at our option; however, you are responsible for all costs associated with returning the product to us. If the product or component is no longer available, we will replace with a similar one of equal or greater value. Prior to a replacement being sent, the product must be rendered inoperable or returned to us.

This warranty does **not** cover glass, filters, wear from normal use, use not in conformity with the printed directions., or damage to the product resulting from accident, alteration, abuse, or misuse. This warranty extends only to the original consumer purchaser or gift recipient. Keep the original sales receipt, as proof of purchase is required to make a warranty claim. This warranty is void if the product is used for other than single-family household use or subjected to any voltage and waveform other than as on the specified rating on the label (e.g., 120V~60Hz).

We exclude all claims for special, incidental, and consequential damages caused by breach of express or implied warranty. All liability is limited to the amount of the purchase price. **Every implied warranty, including any statutory warranty or condition of merchantability or fitness for a particular purpose, is disclaimed except to the extent prohibited by law, in which case such warranty or condition is limited to the duration of this written warranty.** This warranty gives you specific legal rights. You may have other legal rights that vary depending on where you live. Some states or provinces do not allow limitations on implied warranties or special, incidental, or consequential damages, so the foregoing limitations may not apply to you.

For faster service, locate the model, type, and serial numbers on your appliance.

This product has been manufactured and sold under the responsibility of Curtis International Ltd.



Four à micro ondes

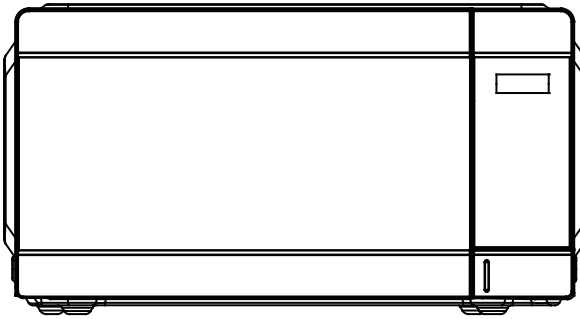
RMW1132-BLACK

RMW1132-WHITE

RMW1132-RED

RMW1134

RMW1178-B



1. Lire toutes les instructions contenues dans ce guide avant d'installer votre four à micro-ondes. Veuillez conserver ces instructions pour référence ultérieure.
2. Veuillez inscrire le numéro de série dans l'espace ci-dessous. Vous trouverez ce numéro sur la plaque signalétique de votre four à micro-ondes et conservez ce numéro pour référence ultérieure.

**NE PAS UTILISEZ CE FOUR A MICRO-ONDES
SANS LA PLAQUE DE VERRE TOURNANTE**

Pour obtenir de l'aide au service et de l'information sur les produits veuillez composer le
1-800-968-9853. Curtis International Ltd.
7045 BECKETT DRIVE UNIT 15 MISSISSAUGA ON L5S 2A3 www.curtisint.com

CONTENU

CONTENU.....	2
SPÉCIFICATIONS.....	2
PRÉCAUTIONS À PRENDRE POUR ÉVITER UNE ÉVENTUELLE EXPOSITION À UNE ÉNERGIE MICRO-ONDES EXCESSIVES.....	3
INSTRUCTIONS DE SÉCURITÉ IMPORTANTES.....	3
INSTRUCTIONS DE MISE À LA TERRE.....	6
GUIDE D'INSTALLATION.....	7
GUIDE DES USTENSILES DE CUISSON.....	7
NOMS DES PIÈCES.....	8
PANNEAU DE COMMANDES.....	9
INSTRUCTIONS D'UTILISATION.....	10
Réglage de l'horloge.....	10
Départ rapide (cuisson rapide à une touche).....	10
Cuisson aux micro-ondes (niveaux de puissance).....	10
Fonction +30 sec.....	10
Réglage de la minuterie.....	11
Décongélation par le temps.....	11
Décongélation par le poids.....	11
Cuisson en 2 étapes.....	12
Verrouillage pour enfants.....	12
Cuisson automatique.....	13
NETTOYAGE ET ENTRETIEN.....	14
GARANTIE.....	15

SPÉCIFICATIONS

Consommation	120 V/60 Hz, 1 500 W (micro-ondes)
Sortie	1 000 W
Fréquence de fonctionnement	2 450 MHz
Dimensions extérieures (L x P x H)	21.0"L x 15.4" P x 11.1" H
Capacité du four	1,1 pi. cu.
Poids net	Approx. 28,2 lb

PRÉCAUTIONS À PRENDRE POUR ÉVITER L'EXPOSITION POSSIBLE À EXCESSIVE DES MICRO-ONDES

1. N'essayez pas de faire fonctionner ce four avec la porte ouverte. porte ouverte peut entraîner une exposition dangereuse à l'énergie des micro-ondes. Il est important de ne pas Il est important de ne pas neutraliser ou modifier les verrouillages de sécurité.
2. Ne placez aucun objet entre la face avant du four et la porte et ne laissez pas la saleté ou les résidus de nettoyant s'accumuler sur les surfaces d'étanchéité.
3. Ne faites pas fonctionner le four s'il est endommagé. Il est très important que la porte du four ferme correctement et qu'elle ne soit pas endommagée :
 - a) La porte (y compris toute déformation),
 - b) Charnières et loquets (cassés ou desserrés),
 - c) Joints de porte et surfaces d'étanchéité.
4. Le four ne doit être réglé ou réparé que par un personnel qualifié.

INSTRUCTIONS DE SÉCURITÉ IMPORTANTES

AVERTISSEMENT : Pour réduire les risques de brûlures, d'électrocution, d'incendie, de blessures aux personnes ou d'exposition à une énergie micro-ondes excessives :

1. Lisez toutes les instructions avant d'utiliser l'appareil.
2. Lisez et suivez les "PRÉCAUTIONS POUR ÉVITER UNE POSSIBLE EXPOSITION À L'ÉNERGIE EXCESSIVE DES MICRO-ONDES.
3. Cet appareil doit être mis à la terre. Ne le branchez que sur une prise de courant correctement mise à la terre. Voir "INSTRUCTIONS DE MISE À LA TERRE" à la page 6.
4. N'installez ou ne placez cet appareil que conformément aux instructions d'installation fournies.
5. Ne faites pas fonctionner le four lorsqu'il est vide.
6. Certains produits tels que les œufs entiers et les récipients scellés -par exemple, bocaux en V verre fermés - peuvent exploser et ne doivent pas être chauffés dans ce four.
7. Utilisez cet appareil uniquement pour l'usage auquel il est destiné, tel que décrit dans ce guide. N'utilisez pas de produits chimiques ou de vapeurs corrosives dans cet appareil. Ce type de four. Ce type de four est spécifiquement conçu pour chauffer, cuire ou sécher des aliments, Il n'est pas conçu pour un usage industriel ou de laboratoire.
8. Comme pour tout appareil, une surveillance étroite est nécessaire lorsqu'il est utilisé par des enfants.
9. Pour réduire le risque d'incendie dans la cavité du four :
 - a) Ne faites pas trop cuire les aliments. Surveillez attentivement l'appareil lorsque du papier, du plastique, ou d'autres matériaux combustibles sont placés à l'intérieur du four pour faciliter la cuisson.
 - b) Retirez les attaches métalliques des sacs en papier ou en plastique avant de les placer dans le four.
 - c) Si les matériaux à l'intérieur du four s'enflamment, gardez la porte du four fermée, éteignez le four et débranchez le cordon d'alimentation ou coupez le courant au niveau du panneau de fusibles ou de disjoncteurs.
 - d) N'utilisez pas la cavité à des fins d'entreposage. Ne laissez pas de papier ne laissez pas de produits en papier, d'ustensiles de cuisine ou d'aliments dans la cavité lorsqu'elle n'est pas utilisée.

10. Les liquides, tels que l'eau, le café ou le thé, peuvent être surchauffés au-delà du point d'ébullition sans qu'il y ait apparence d'ébullition sans donner l'impression de bouillir en raison de la tension de surface du liquide. Il n'y a pas toujours de bulles ou d'ébullition visibles lorsque le récipient est retiré du four à micro-ondes n'est pas toujours présent. CELA PEUT ENTRAÎNER DES LIQUIDES TRÈS CHAUDS PEUVENT SOUDAINEMENT DÉBORDER LORSQU'UNE CUILLÈRE OU UN AUTRE USTENSILE EST INSÉRÉ DANS LE RÉCIPIENT. OU UN AUTRE USTENSILE EST INSÉRÉ DANS LE LIQUIDE. Pour réduire le risque de blessure pour les personnes :
 - a) Ne pas surchauffer le liquide.
 - b) Remuez le liquide avant et à mi-cuisson.
 - c) N'utilisez pas de récipients à bords droits et à goulot étroit.
 - d) Après le chauffage, laissez le récipient reposer dans le four à micro-ondes pendant un court moment avant de le retirer.
 - e) Faites très attention lorsque vous insérez une cuillère ou un autre ustensile dans le récipient.
 11. Ne faites pas chauffer l'huile ou la graisse pour la friture. Il est difficile de contrôler la température de l'huile dans le four à micro-ondes.
 12. Ne pas couvrir ou bloquer les ouvertures de l'appareil.
 13. Ne pas stocker ou utiliser cet appareil à l'extérieur. N'utilisez pas cet appareil à proximité
 14. l'eau, par exemple, près d'un évier de cuisine, dans un sous-sol humide, près d'une piscine ou dans des endroits similaires.
 15. N'utilisez pas cet appareil si le cordon ou la fiche sont endommagés, s'il ne fonctionne pas correctement ou s'il a été endommagé. 14. ne fonctionne pas correctement ou s'il a été endommagé ou est tombé.
 16. Ne pas immerger le cordon ou la fiche dans l'eau. Maintenez le cordon à l'écart des surfaces chauffées. Ne laissez pas le cordon pendre sur le bord d'une table ou d'un comptoir. Cet appareil ne doit être entretenu que par un personnel qualifié, contacter le centre de service agréé le plus proche pour examen, réparation ou réglage.
 17. Pour nettoyer les surfaces de la porte et du four qui se rejoignent à la fermeture de la porte, utilisez uniquement des savons ou des détergents doux et non abrasifs ou des détergents appliqués avec une éponge ou un chiffon doux.
 18. Cet équipement a été testé et déclaré conforme à la partie 18 des règles de la FCC. règles de la FCC. Son fonctionnement est soumis aux deux conditions suivantes : (1) Cet appareil ne doit pas provoquer d'interférences nuisibles, et (2) cet appareil doit accepter toute interférence reçue, y compris les interférences pouvant causer un un fonctionnement indésirable.
- MISE EN GARDE : Les changements ou modifications qui ne sont pas expressément approuvés par la partie responsable de la conformité peuvent annuler le droit d'utilisation de l'appareil.
19. Comme pour tout appareil électroménager, une surveillance étroite est nécessaire lorsque le four à micro-ondes est utilisé par des enfants.
 20. Si un matériau à l'intérieur du four s'enflamme, la porte du four doit rester fermée, l'appareil doit être éteint, le cordon d'alimentation débranché ou l'alimentation coupée au niveau du panneau de fusibles ou de disjoncteurs.
 21. Cet appareil génère, utilise et peut émettre de l'énergie radioélectrique et, s'il n'est pas installé et utilisé conformément aux instructions, peut causer des interférences nuisibles aux communications radio. Cependant, il n'y a garantie que des interférences ne se produiront pas dans une installation particulière. Si et équipement provoque des

interférences nuisibles à la réception radio ou télévisuelles ou de télévision, ce qui peut être déterminé en éteignant et en rallumant l'équipement, l'utilisateur est encouragé à essayer de corriger les interférences par une ou plusieurs des mesures suivantes l'une ou plusieurs des mesures suivantes :

- Réorientez ou déplacez l'antenne de réception.
- Augmentez la distance entre l'équipement et le récepteur.
- Connectez l'équipement à une prise sur un circuit différent de celui auquel le récepteur est connecté.
- Consultez le revendeur ou un technicien radio/TV expérimenté pour obtenir de l'aide.

22. Le four à micro-ondes ne doit être réparé que par du personnel qualifié. Pour l'entretien et la réparation, veuillez contacter notre Centre d'assistance à la clientèle à l'adresse suivante www.royalsovereign.ca ou 1-800-968-9853.

CONSERVEZ CES INSTRUCTIONS

INSTRUCTIONS DE MISE À LA TERRE

Cet appareil doit être mis à la terre. En cas de court-circuit électrique, la mise à la terre réduit le risque d'électrocution en fournissant un fil d'échappement pour le courant électrique. Cet appareil est doté d'un cordon comportant un fil de mise à la terre avec une fiche de mise à la terre. La fiche doit être branchée dans une prise correctement installée et mise à la terre.

AVERTISSEMENT : Une utilisation incorrecte de la fiche de mise à la terre peut entraîner un risque d'électrocution.

Consultez un électricien ou un réparateur qualifié si vous ne comprenez pas bien les instructions de mise à la terre ou si vous avez des doutes, ou si les instructions de mise à la terre n'ont pas été entièrement comprises, ou si vous n'êtes pas sûr que l'appareil est correctement mis à la terre, et s'il est nécessaire d'utiliser une rallonge, utilisez uniquement une rallonge à 3 fils. Si l'utilisation d'une rallonge est nécessaire, utilisez uniquement une rallonge à 3 fils munie d'une fiche de mise à 3 broches et d'une prise à 3 fentes qui accepte la fiche de l'appareil. La valeur nominale de la rallonge, indiquée sur le site, doit être égale ou supérieure à la puissance électrique de l'appareil.

EXIGENCES ÉLECTRIQUES

Les exigences électriques sont de 120 volts 60 Hz, CA seulement, 20 ampères. Il est recommandé de prévoir un circuit séparé ne desservant que le four. Le four est équipé d'une fiche de mise à la terre à trois broches, il doit être branché dans une prise murale correctement installée et mise à la terre.

CORDON D'ALIMENTATION

1. Un cordon d'alimentation court est fourni pour réduire les risques résultants de l'enchevêtrement ou les risques de trébucher dans un cordon plus long.
2. Des jeux de cordons plus longs ou des rallonges sont disponibles et peuvent être utilisés si l'on prend soin de les utiliser.
3. Si un cordon long ou une rallonge est utilisé(e)
 - a) La puissance électrique du cordon ou de la rallonge doit être au moins aussi élevée que la puissance électrique de l'appareil.
 - b) La rallonge doit être un cordon à 3 fils avec mise à la terre.

Le cordon le plus long doit être disposé de façon à ce qu'il ne traîne pas sur le comptoir ou le dessus de la table où les enfants pourraient le tirer ou trébucher par inadvertance.

GUIDE D'INSTALLATION

1. Assurez-vous que tous les matériaux d'emballage sont retirés de l'intérieur de la porte.
2. Ce four à micro-ondes doit être placé sur une surface plane.
3. Pour un fonctionnement correct, le four doit bénéficier d'une circulation d'air suffisante. Prévoyez un espace de 20 cm (8") au-dessus du four, 10 cm (4") à l'arrière et 5 cm (2") sur les côtés. Ne couvrez ni ne bloquez aucune ouverture de l'appareil. Ne retirez pas les pieds sur lesquels repose le four.
4. N'utilisez pas le four si le plateau en verre, le support de rouleau et l'arbre ne sont pas dans leurs positions.
5. Assurez-vous que le cordon d'alimentation n'est pas endommagé et qu'il ne passe pas sous le four ou sur une surface chaude ou tranchante.
6. La prise de courant doit être facilement accessible afin de pouvoir débrancher facilement le four à micro-ondes en cas d'urgence.

GUIDE DES USTENSILES DE CUISSON

Cette section énumère les ustensiles qui peuvent être utilisés dans ce four à micro-ondes, ceux dont l'utilisation est limitée à de courtes périodes et ceux qui ne doivent pas être utilisés dans ce micro-ondes.

RECOMMANDÉ

Plat à dorer pour micro-ondes - Utilisé pour dorer l'extérieur de petits articles tels que les steaks, côtelettes ou les crêpes. Suivez les instructions fournies avec votre plat à dorer.

Film plastique pour micro-ondes - Utilisé pour retenir la vapeur. Laissez une petite ouverture pour que la vapeur puisse s'échapper et évitez de la placer directement sur les aliments.

Serviettes en papier et serviettes de table - Utilisées pour chauffer et couvrir les aliments à court terme. l'excès d'humidité et empêchent les éclaboussures. N'utilisez pas de serviettes en papier recyclé, qui peuvent contenir du métal et s'enflammer.

Bols et plats en verre et en vitrocéramique - Utilisés pour chauffer ou cuire.

Assiettes et gobelets en papier - Utilisés pour le chauffage à court terme à basse température. N'utilisez pas du papier recyclé, qui peut contenir du métal et pourrait s'enflammer.

Papier ciré - Utilisé comme couvercle pour éviter les éclaboussures.

Thermomètres - N'utilisez que ceux qui portent l'étiquette "Sans danger pour les micro-ondes" et suivez toutes les instructions. Vérifiez l'aliment à plusieurs endroits. Les thermomètres conventionnels peuvent être utilisés sur les aliments cuits au micro-ondes une fois qu'ils ont été retirés du four.

UTILISATION LIMITÉE

Papier d'aluminium - Utilisez des bandes étroites de papier d'aluminium pour éviter la surcuisson des zones exposées. Si vous utilisez trop de papier d'aluminium, vous risquez d'endommager votre four. Vous devez garder une distance de 2,54 cm (1 pouce) entre le papier d'aluminium et la cavité du four.

Céramique, porcelaine et grès - Utilisez-les s'ils sont étiquetés "Sans danger pour les micro-ondes". S'ils ne sont pas étiquetés, testez-les pour vous assurer qu'ils peuvent être utilisés en toute sécurité.

Plastique - Utilisez-les uniquement s'ils portent l'étiquette "Sans danger pour les micro-ondes". Les autres plastiques peuvent fondre.

NON RECOMMANDÉ

Bocaux et bouteilles en verre - Le verre ordinaire est trop fin pour être utilisé dans un micro-ondes. Il peut se briser et causer des dommages et des blessures.

Sacs en papier - Ils présentent un risque d'incendie, à l'exception des sacs de maïs à éclater conçus pour être utilisés dans un four à micro-ondes.

Assiettes et tasses en polystyrène - Elles peuvent fondre et laisser un résidu malsain sur les aliments.

Contenants d'aliments en plastique - Les contenants tels que les pots de margarine peuvent fondre au micro-ondes.

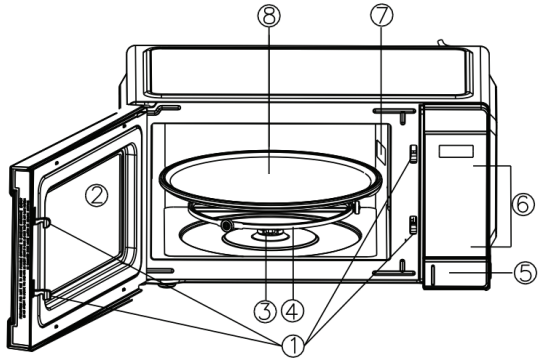
Les ustensiles en métal - Ils peuvent endommager votre four. Retirez tout le métal avant la cuisson.

Remarque :

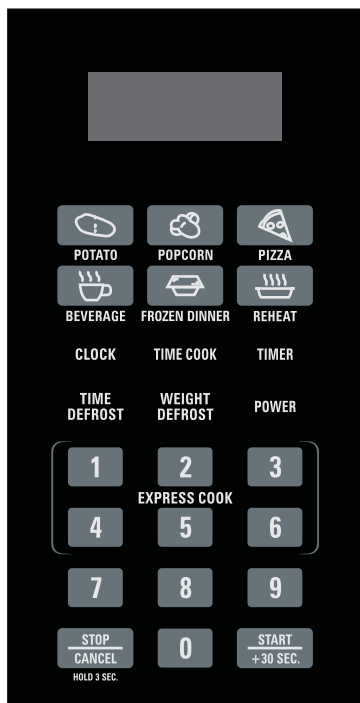
Si vous souhaitez vérifier si un plat peut être cuit au micro-ondes, placez le plat vide dans le four et mettez-le au micro-ondes à puissance maximale pendant 30 minutes. dans le four et mettez-le au micro-ondes à "HIGH" pendant 30 secondes. Un plat qui devient très chaud ne doit pas être utilisé.

NOM DES PIÈCES

1. Système de verrouillage de sécurité des portes
 2. Fenêtre du four
 3. Arbre
 4. Anneau de rouleau
 5. Bouton d'ouverture de la porte
 6. Panneau de commande
 7. Guide d'ondes
 8. Plateau en verre
- (Veuillez ne pas retirer la plaque de mica couvrant le guide d'ondes)



PANNEAU DES COMMANDES



ÉCRAN D'ACTION DU MENU

Le temps de cuisson, la puissance, les indicateurs et l'heure et l'heure actuelle sont affichés.

QUICK COOK MENUS

(MENUS DE CUISSON AUTOMATIQUE)

Réglages instantanés pour cuire les aliments les plus populaires.

CLOCK (HORLOGE)

Appuyez pour régler l'heure de l'horloge.

TIME COOK (CUISSON PAR LE TEMPS)

Appuyez pour régler le programme de cuisson au micro-ondes.

TIMER (MINUTERIE)

Appuyez sur cette touche pour régler la fonction de minuterie.

TIME DEFROST (DÉCONGÉLATION PAR LE TEMPS)

Appuyez sur cette touche pour décongeler les aliments en fonction du temps.

DÉCONGÉLATION EN FONCTION DU POIDS

Appuyez sur cette touche pour décongeler les aliments en fonction de leur poids.

POWER LEVEL (NIVEAUX DE PUISSANCE)

Appuyez sur cette touche pour régler le niveau de puissance de cuisson.

TOUCHES NUMÉRIQUES (0-9)

Utilisez ces touches pour régler la durée ou le poids des aliments. Appuyez sur les touches numériques de 1 à 6 pour régler le programme de cuisson express.

STOP/CANCEL (ARRÊT/ANNULATION)

Appuyez une fois pour arrêter temporairement la cuisson, ou deux fois pour annuler la cuisson. Cette touche est également utilisée pour régler la sécurité des enfants.

START/+30 SEC (DÉPART/+30 SEC.)

Appuyez sur cette touche pour lancer les programmes de cuisson. Il suffit d'appuyer plusieurs fois sur cette touche pour régler temps de cuisson et de cuire immédiatement à pleine puissance.

INSTRUCTIONS DE FONCTIONNEMENT

- Lorsque le four est branché pour la première fois, l'affichage indique "1:01".
- Pendant le processus de réglage, si aucune opération n'est effectuée dans les 30 secondes ou si vous appuyez sur la touche STOP/CANCEL, le four revient en mode veille.
- En cours de cuisson, si vous appuyez une fois sur la touche "STOP/CANCEL", le programme sera interrompu. Appuyez sur la touche "START/+30 SEC" pour reprendre la fonction. Re marque : si vous appuyez deux fois sur la touche sur la touche "STOP/CANCEL" deux fois, le programme sera annulé.
- Une fois la cuisson au four à micro-ondes terminée, l'écran affiche "End" (fin) l'appareil émet un bip toutes les deux minutes jusqu'à ce que l'utilisateur appuie sur la touche "STOP/CANCEL" toutes les deux minutes jusqu'à ce que l'utilisateur appuie sur la touche "STOP/CANCEL" ou ouvre la porte.

RÉGLAGE DE L'HORLOGE

Il s'agit d'une horloge à 12 ou 24 heures. Vous pouvez choisir de régler l'heure de l'horloge en mode 12- ou 24- heures en appuyant sur la touche "CLOCK" en mode veille.

1. En mode veille, appuyez plusieurs fois sur la touche "CLOCK" pour sélectionner l'horloge 12 ou 24 heures.
2. Utilisez les touches numériques pour régler l'heure correcte.
3. Appuyez une fois sur la touche "CLOCK" ou "START/+30 SEC" pour confirmer.

REMARQUE : Pendant la cuisson, vous pouvez vérifier l'heure actuelle en appuyant sur la touche "CLOCK".

RÉGLAGE DE LA MINUTERIE

1. En mode veille ou pendant la cuisson, appuyez une fois sur la touche "TIMER".
2. Utilisez les touches numériques pour régler la durée souhaitée. La durée la plus longue est de 99 minutes et 99 secondes.
3. Appuyez sur la touche "START/+30 SEC" pour confirmer.

REMARQUE : Lorsque le compte à rebours se termine, l'appareil émet un signal sonore pour vous le rappeler. Vous pouvez vérifier le temps du compte à rebours en appuyant sur le bouton "TIMER", si vous appuyez sur le bouton "STOP/CANCEL" lorsque l'écran affiche l'heure, la fonction sera annulée.

DÉPART RAPIDE (CUISSON RAPIDE À UNE TOUCHE)

Directement en mode veille, lorsque vous appuyez une fois sur une touche numérique (1, 2, 3, 4, 5 ou 6), Le système démarre directement le programme de cuisson avec le temps correspondant (respectivement 1 minute, 2 minutes, 3 minutes, 4 minutes, 5 minutes et 6 minutes). Le four à micro-ondes commence à cuire à pleine puissance.

FONCTION +30 SECONDES

Utilisez cette fonction pour programmer le four de façon à ce que les aliments soient cuits au micro-ondes à 100 % de leur puissance. En mode veille, appuyez plusieurs fois sur la touche "START/+30 SEC" pour régler le temps de cuisson (chaque pression augmente de 30 secondes et jusqu'à 99 minutes et 99 secondes). Le four démarre automatiquement la cuisson.

REMARQUE : Pendant la cuisson (à l'exception des menus de cuisson automatique, de la décongélation temporelle et de la décongélation par poids), vous pouvez ajouter du temps de cuisson en appuyant sur la touche "START/+30 SEC"

CUISSON AUX MICRO-ONDES (NIVEAUX DE PUISSANCE)

1. En mode veille, appuyez une fois sur la touche "TIME COOK".
2. Utilisez les touches numériques pour régler le temps de cuisson. Le temps le plus long est de 99 minutes et 99 secondes.
3. Appuyez une fois sur la touche "POWER LEVEL" (niveau de puissance par défaut de 100 %), puis utilisez les touches numériques pour régler un niveau de puissance.
4. Appuyez sur la touche "START/+30 SEC" pour confirmer.

Utilisez un seul chiffre pour définir un niveau de puissance de cuisson:

Appuyez sur la touche du chiffre	Puissance(affichée)	Appuyez sur la touche du chiffre	Puissance(affichée)
1, 0	100% (P10)	4	40% (P-4)
9	90% (P-9)	3	30% (P-3)
8	80% (P-8)	2	20% (P-2)
7	70% (P-7)	1	10% (P-1)
6	60% (P-6)	0	0% (P-0)
5	50% (P-5)		

REMARQUE : Pendant la cuisson, vous pouvez vérifier le niveau de puissance actuel en appuyant sur la touche "POWER LEVEL".

DÉCONGÉLATION PAR LE TEMPS

1. En mode veille, appuyez une fois sur la touche "TIME DEFROST".
2. Utilisez les touches numériques pour régler la durée de décongélation. La durée la plus longue est de 99 minutes et 99 secondes.
3. Appuyez sur la touche "START/+30 SEC" pour confirmer.

REMARQUE : Pendant la décongélation, le système fait une pause et émet un son pour rappeler à l'utilisateur de retourner les aliments. Après cela, appuyez sur la touche "START/+30 SEC" pour reprendre la décongélation.

DÉCONGÉLATION PAR LE POIDS

La durée de décongélation et la puissance sont réglés automatiquement lorsque le poids de l'aliment est programmé. Le poids de l'aliment congelé varie de 113 g à 1,8 kg (4 oz à 8 oz).

1. En mode veille, appuyez une fois sur la touche "WEIGHT DEFROST".
2. Utilisez les touches numériques pour régler le poids de l'aliment.
3. Appuyez sur la touche "START/+30 SEC" pour confirmer.

REMARQUES :

Pendant la décongélation, le système se met en pause et émet un son pour rappeler à l'utilisateur de retourner les aliments. Après cela, appuyez sur la touche "START/+30 SEC" pour reprendre la décongélation.

Le poids doit être indiqué en livres et en onces. Si l'étiquette indique le poids en livres uniquement, changez la fraction de livre en onces à l'aide du tableau suivant.

Conversion des fractions de livre en onces :

Fractions de livre	Onces	Fractions de livre	Onces
Moins de ,03	0	,54 à ,59	9
,03 à ,09	1	,60 à ,65	10
,10 à ,15	2	,66 à ,71	11
,16 à ,21	3	,72 à ,78	12
,22 à ,27	4	,79 à ,84	13
,28 à ,34	5	,85 à ,90	14
,35 à ,40	6	,91 à ,97	15
,41 à ,46	7	supérieur à ,97	passer à la paire suivante
,47 à ,53	8		

2-STAGE COOKING

Votre four peut être programmé jusqu'à 2 séquences de cuisson automatique. Voir page 26 - Niveau de puissance de la cuisson au micro-ondes. Supposons que vous souhaitiez programmer le programme de cuisson suivant programme de cuisson suivant.

Cuisson au micro-ondes



Cuisson au micro-ondes (avec les niveaux de puissances inférieurs)

1. Saisir le premier programme de cuisson au micro-ondes. Ne pas appuyer sur la touche "START/+30 SEC".
2. Saisir le deuxième programme de cuisson au micro-ondes.
3. Appuyer sur la touche "START/+30 SEC" pour démarrer.

REMARQUE : Seul le programme de cuisson au micro-ondes peut être réglé dans le programme de cuisson en plusieurs étapes.

VERROUILLAGE POUR ENFANTS

Le verrouillage empêche toute utilisation non surveillée par des enfants.

Pour le régler : En mode veille, appuyez sur la touche "STOP/CANCEL" pendant plus de 3 secondes.

Un signal sonore retentit, le four passe automatiquement en mode de verrouillage des enfants et le témoin de verrouillage s'allume. Appuyez sur n'importe quelle touche, l'indication de verrouillage apparaît à l'écran pendant 3 secondes.

Pour annuler : Appuyez sur la touche "STOP/CANCEL" et maintenez-la enfoncée pendant plus de 3 secondes. Un bip est émis et le témoin de verrouillage disparaît.

PROTECTION PAR BOUTON FERMÉ

Dans le cas où une touche est activée et annulée sans interruption pendant une minute, le micro-ondes cessera de fonctionner. L'affichage indiquera "FAIL" et l'appareil émettra un bip toutes les minutes. Appuyez sur la touche "STOP/CANCEL" pour revenir au mode veille.

CUISSON AUTOMATIQUE

Pour l'aliment ou le mode de cuisson suivant, il n'est pas nécessaire de programmer la puissance et le temps de cuisson. Il suffit d'indiquer le type d'aliment que vous souhaitez cuire ainsi que le poids ou les portions de l'aliment.

1. En mode veille, appuyez une ou plusieurs fois sur la touche de menu correspondante pour régler le poids des aliments ou les portions.
2. Appuyez sur la touche "START/+30 SEC" pour démarrer.

Menus de cuisson automatique :

Code	Aliment	Remarque
1	Pomme de terre (8 oz/1 ou 2 pièces)	Le résultat de la cuisson automatique dépend de facteurs tels que la forme et la taille de l'aliment, le mode de cuisson et la température, votre préférence personnelle quant à la cuisson de certains aliments et même de la façon dont vous et même de la façon dont vous placez les aliments dans le four. Si le résultat n'est pas tout à fait satisfaisant, veuillez ajuster le temps de cuisson en conséquence.
2	Maïs soufflé (3,2 oz)	
3	Pizza (6 oz, 11 oz, 16 oz)	
4	Breuvage (8 oz, 12 oz, 16 oz)	
5	Repas surgelé (9 oz, 18 oz)	
6	Réchauffer (7 oz - 28 oz)	

NETTOYAGE ET ENTRETIEN

1. Éteignez le four et débranchez le cordon d'alimentation du mur lors du nettoyage.
2. Gardez l'intérieur du four propre. Si des éclaboussures d'aliments ou des liquides renversés adhèrent aux parois du four, essuyez-les avec un chiffon humide. Si le four est très sale, vous pouvez utiliser des détergents doux. Évitez d'utiliser des vaporisateurs ou d'autres nettoyeurs agressifs. Ils risquent de tâcher de laisser des traces ou de ternir la surface de la porte.
3. L'extérieur du four doit être nettoyé avec un chiffon humide. Pour éviter d'endommager l'intérieur du four, l'eau ne doit pas s'infiltrer dans les orifices de ventilation.
4. Essuyez fréquemment la porte et la fenêtre des deux côtés, les joints de la porte et les pièces adjacettes avec un chiffon humide afin d'éliminer toute trace d'humidité ou d'éclaboussure. N'utilisez pas de nettoyant abrasif.
5. Ne laissez pas le panneau de commande se mouiller. Nettoyez-le avec un chiffon doux et humide. Lorsque vous nettoyez le panneau de commande, laissez la porte du four ouverte pour éviter que le four ne se mette accidentellement en marche.
6. Si de la vapeur s'accumule à l'intérieur ou autour de l'extérieur de la porte du four, essuyez-la avec un chiffon doux. Cela peut se produire lorsque le four à micro-ondes est utilisé dans des conditions de forte humidité. C'est normal.
7. Il est parfois nécessaire de retirer le plateau en verre pour le nettoyer. Lavez le plateau dans l'eau chaude savonneuse ou dans un lave-vaisselle.
8. L'anneau à rouleaux et la sole du four doivent être nettoyés régulièrement pour éviter tout bruit excessif. Il suffit d'essuyer la surface inférieure du four avec un détergent doux. L'anneau du rouleau peut être lavée dans de l'eau douce et savonneuse ou dans un lave-vaisselle. Lorsque vous retirez l'anneau du rouleau, veillez à le replacer dans la bonne position.
9. Éliminez les odeurs de votre four en combinant une tasse d'eau avec le jus et la peau d'un citron dans un bol allant au micro-ondes. Mettez le tout au micro-ondes pendant 5 minutes. Essuyez soigneusement et séchez avec un chiffon doux.
10. Si l'ampoule brûle, veuillez contacter le service client pour la faire remplacer.
11. Le four doit être nettoyé régulièrement et tout dépôt alimentaire doit être éliminé.
12. Si le four n'est pas maintenu en bon état de propreté, la surface risque de se détériorer, ce qui pourrait nuire à la durée de vie de l'appareil et pourrait éventuellement entraîner une situation dangereuse.
13. Veuillez ne pas jeter cet appareil dans la poubelle domestique ; il doit être éliminé dans le centre d'élimination des déchets prévu par la loi. Il doit être éliminé dans le centre d'élimination particulier fourni par les municipalités.

Pour faire une demande de garantie, ne retournez pas ce produit au magasin. Veuillez envoyer un courriel électronique à support@curtises.com ou appeler le 1-800-968-9853.

1 ans de garantie

Ce produit est garanti contre tout défaut de matériel et de fabrication pendant une période de un (1) ans à compter de la date d'achat d'origine. Pendant cette période, votre seul recours est la réparation ou le remplacement de ce produit ou composant jugé défectueux, à notre choix; Cependant, vous êtes responsable de tous les coûts associés au retour du produit. Si le produit ou le composant n'est plus disponible, nous le remplacerons par un produit similaire de valeur égale ou supérieure. Avant l'envoi d'un produit de remplacement, le produit doit être rendu inutilisable ou nous être renvoyé.

Cette garantie **ne couvre pas** le verre, les filtres, l'usure normale, une utilisation non conforme aux instructions imprimées, ni les dommages matériels résultant d'un accident, d'une altération, d'une utilisation abusive ou abusive. Cette garantie s'applique uniquement à l'acheteur initial ou au destinataire du cadeau. Conservez le reçu de vente original, car une preuve d'achat est nécessaire pour faire une réclamation de garantie. Cette garantie est annulée si le produit est utilisé pour un usage autre que domestique ou s'il est soumis à une tension ou une forme d'onde autre que celle indiquée sur l'étiquette (par exemple, 120V ~ 60Hz).

Nous excluons toute réclamation pour des dommages spéciaux, accessoires et consécutifs causés par une violation de la garantie explicite ou implicite. Toute responsabilité est limitée au montant du prix d'achat. **Toute garantie implicite, y compris toute garantie légale ou condition de qualité marchande ou d'adéquation à un usage particulier, est refusée sauf dans la mesure où la loi l'interdit, auquel cas cette garantie ou condition est limitée à la durée de cette garantie écrite.** Cette garantie vous confère des droits légaux spécifique. Vous pouvez avoir d'autres droits légaux qui varient selon votre lieu de résidence. Certains états ou provinces n'autorisant pas les limitations de garanties implicites ou de dommages spéciaux, accessoires ou indirects, les limitations ci-dessus peuvent ne pas vous concerner.

Pour un service plus rapide, trouver le modèle, le type et les numéros de série sur votre appareil.

