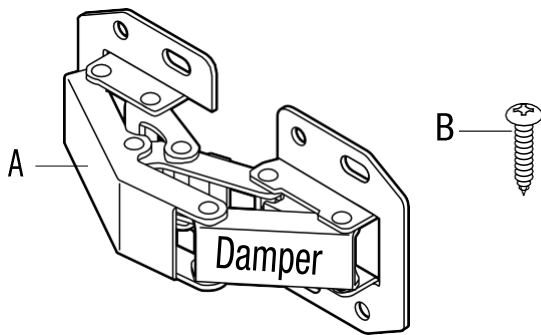


SURFACE MOUNT SOFT CLOSE HINGE

Installation Preparation

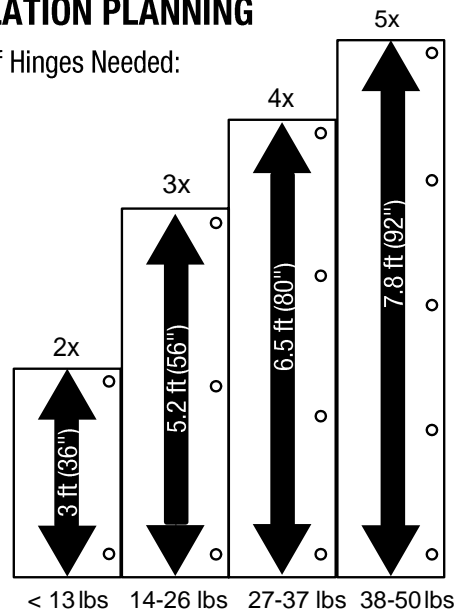
PACKAGE CONTENTS



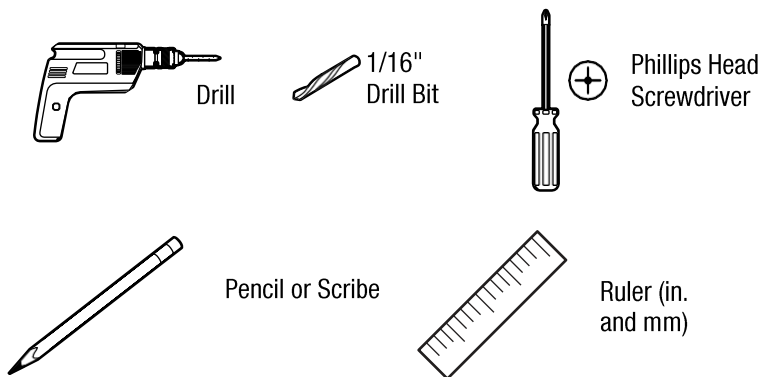
| Part | Description | Quantity |
|------|--------------------------|----------|
| A | Hinge | 2 |
| B | #5 x 5/8 in. Wood Screw* | 8 |

INSTALLATION PLANNING

Number of Hinges Needed:



TOOLS REQUIRED



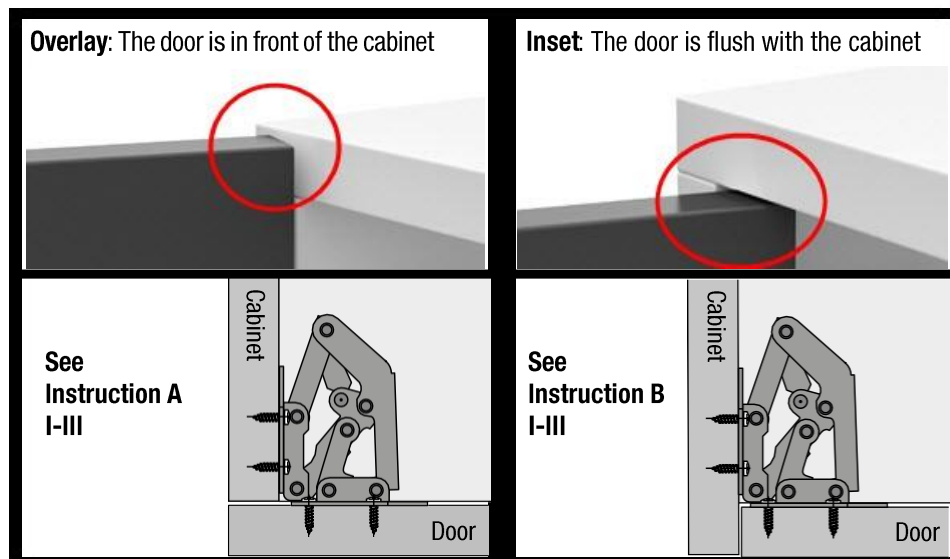
Specifications

- For frameless type cabinets ONLY.
- For best installation, make sure your cabinet door does not lay flush on cabinet.

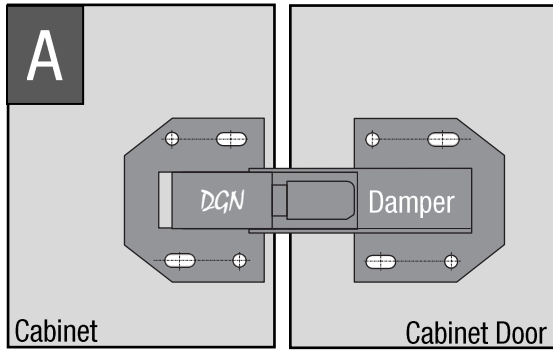
*Please Note –

Screws provided work on cabinet panels at least 3/4in. thick. Slimmer cabinets need shorter screws – NOT INCLUDED.

CABINET MOUNTING OPTIONS

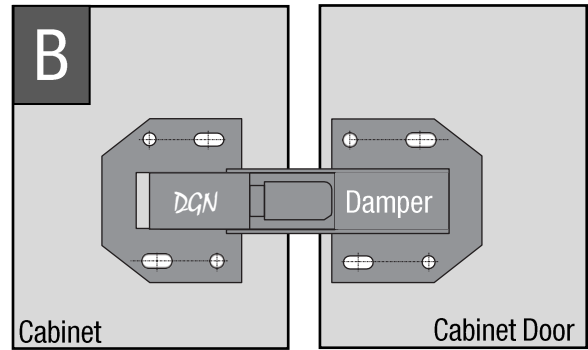


INSTRUCTION A: OVERLAY CABINET



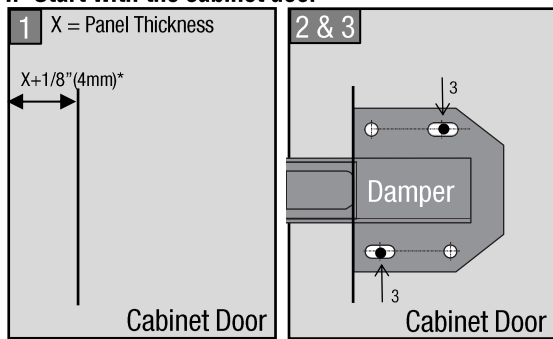
*Please Note: Drawings not to scale.

INSTRUCTION B: INSET CABINET



*Please Note: Drawings not to scale.

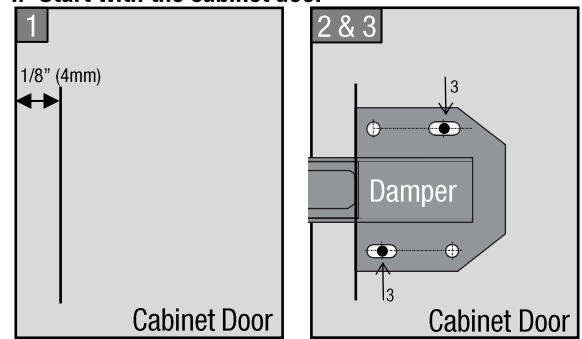
I. Start with the cabinet door



1. Measure panel thickness + 1/8" (4mm)* from inside edge of door and draw a vertical line
2. Place front edge of right side of hinge on line, making sure hinge is laid completely flat.
3. Mark middle of oval holes
4. Remove hinge and pre-drill holes
5. Screw hinge on door with 2 screws

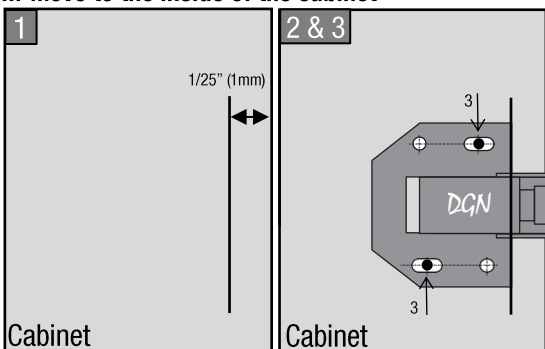
*Up to 1/8" (4mm) depending on overlay

I. Start with the cabinet door



1. Measure 1/8" (4mm) from edge of door and draw a vertical line
2. Place front edge of right side of hinge on line, making sure hinge is laid completely flat.
3. Mark middle of oval holes
4. Remove hinge and pre-drill holes
5. Screw hinge on door with 2 screws

II. Move to the inside of the cabinet

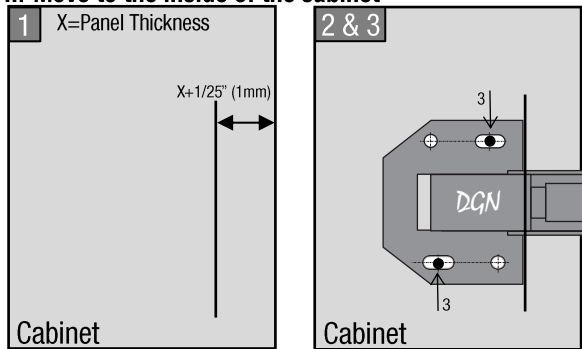


1. Measure 1/25" (1mm) from the inside edge of the cabinet and draw a vertical line
2. Place front edge of left side of hinge on line, making sure hinge is laid completely flat, and the cabinet door is perpendicular to the cabinet.
3. Mark middle of oval holes
4. Remove hinge and pre-drill holes
5. Screw hinge on door with 2 screws

III. All other Hinges –

1. Install on the door/cabinet in the same order.
2. Align hinges to best fit and tighten screws in oval holes
3. Pre-drill remaining holes; insert and tighten all screws

II. Move to the inside of the cabinet



1. Measure Panel Thickness + 1/25" (1mm) from the inside edge of the cabinet and draw a vertical line
2. Place front edge of left side of hinge on line, making sure hinge is laid completely flat, and the cabinet door is perpendicular to the cabinet.
3. Mark middle of oval holes
4. Remove hinge and pre-drill your holes
5. Screw hinge on door with 2 screws

III. All other Hinges –

1. Install on the door/cabinet in the same order.
2. Align hinges to best fit and tighten screws in oval holes
3. Pre-drill remaining holes; insert and tighten all screws