

# Home Accents

Collection

61-30958 Hampton Bay Large Fit-out Hamper

## ASSEMBLY INSTRUCTIONS

Made In China

Thank you for purchasing this quality product. Be sure to check all packing material carefully for small parts, which may have come loose inside the carton during shipment. Count all parts and material hardware. Compare with parts list to be sure all parts are present. If any parts are missing or damaged, please, fax, or mail to our Customer Service Department. For efficient and speedy service please indicate the model number and stock letter of part(s) needed.

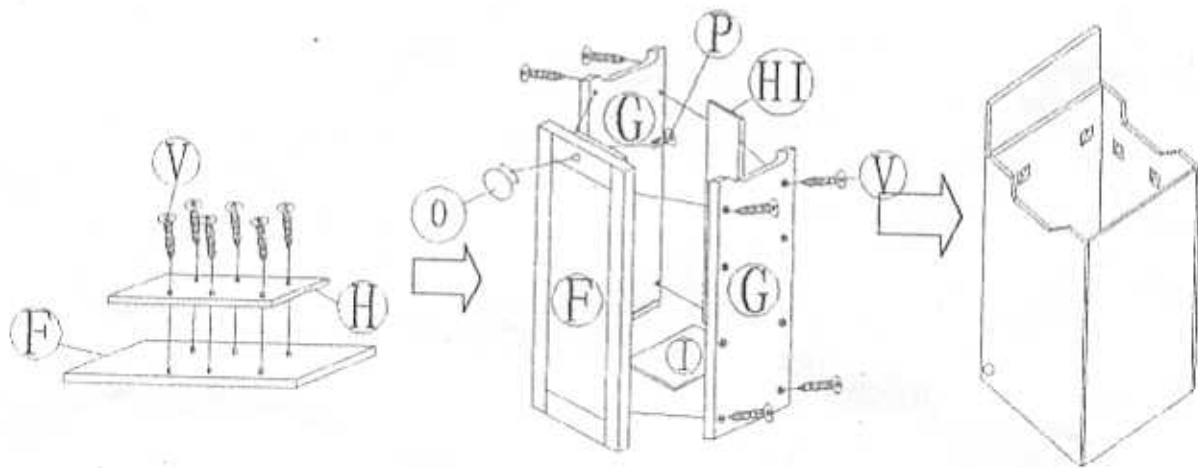
**IMPORTANT NOTE:** Follow an instruction listed below in proper sequence as indicated and are listed on a card connected to this.

A	B	C	D
E	F	G	H
I	J	K	L
M	N	O	P
Q	R	S	T
U	V	W	X
Y	Z	AA	AB

**NOTE:** Upon opening thoroughly clean all woods surfaces with furniture polish to remove dust and dirt that may have settled onto finish during shipment .in order to protecting the product. Please assemble the product two persons at least

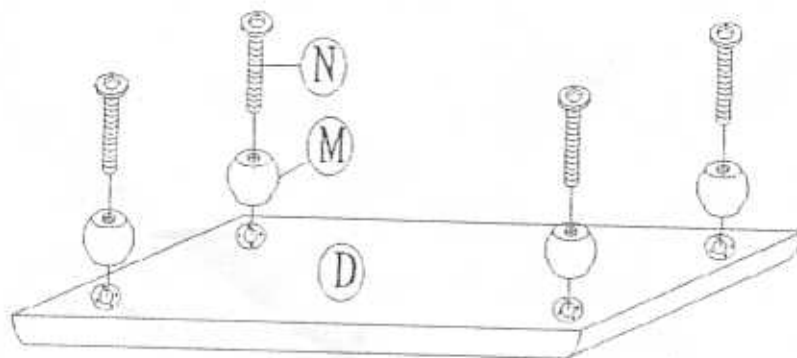
### 1.) Assemble the drawer

Through the holes of stick panel (H) to rotate the screws (V) into the front panel (F). Through the holes of side panel (G) to rotate the screws (V) into the inside back panel(HI),insert base panel (I) through the small slot of side panel (G) and the back panel (HI). Then through the holes of side panel (G) to rotate the screws (V) into the holes of front panel (F) .At last through the middle holes of front panel (F) to rotate the screws (P) into the knob (O). (See the right picture)



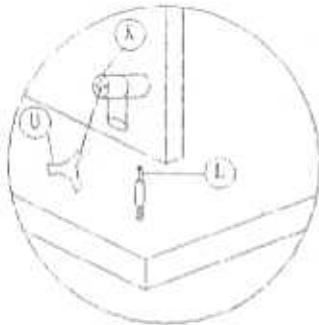
### 2.) Assemble the bottom panel (D)

Through the holes of feet (M) use the cam-tool (T) to rotate the screws (N) clockwise into the bottom panel (D). (See the below picture)

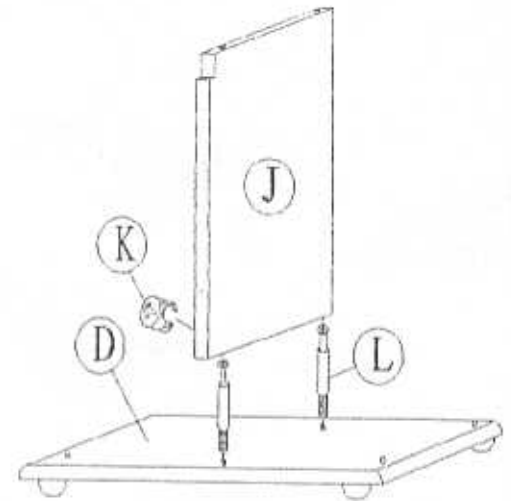


### 3.) Assemble stand panel (J)

Use the cam-tool (U) to rotate the cam-bolts (L) into the bottom panel (D). Use the cam-tool (U) to tighten cam-lock (K) clockwise into the large holes of stand panel (J). (See the right picture)

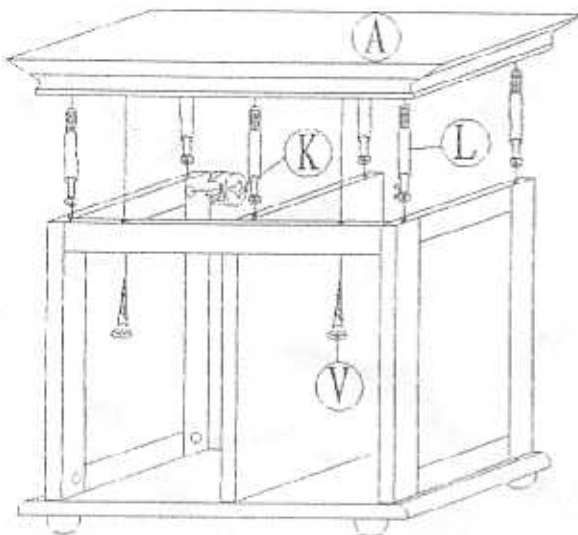
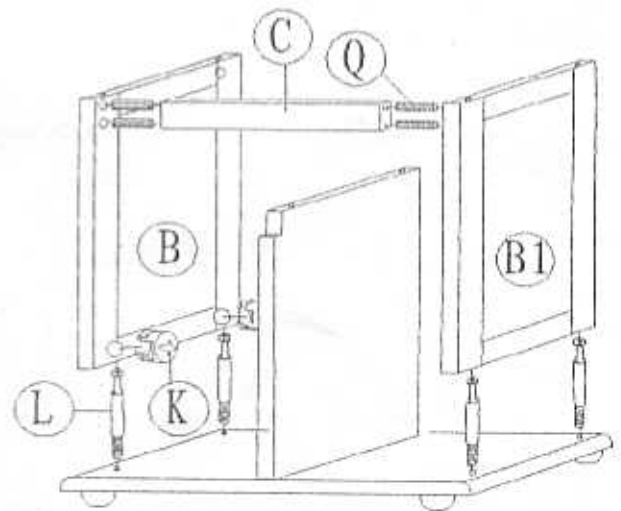


How to use CAM-TOOL



### 4.) Assemble left/right side panel (B/B1) and baffle(C)

Insert the dower (Q) into the left/right panel (B/B1) and baffle (C). Use the cam-tool (U) to rotate the cam-bolts (L) into the bottom panel (D) and attach the left/right panel (B/B1). Then use cam-tool (U) to tighten cam-locks (K) clockwise into the left/right side panel (B/B1)..(See the left picture)

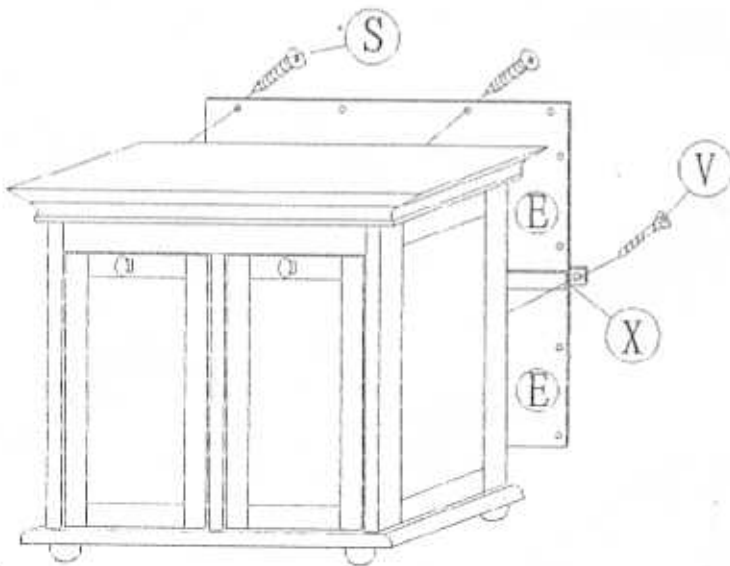
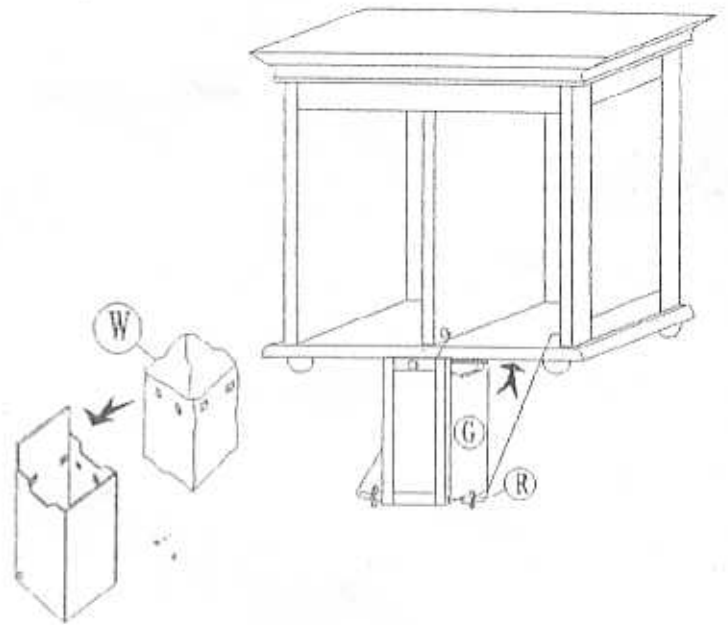


### 5.) - Assemble top panel (A)

Use the cam-tool (U) rotate the cam-bolts (L) into the top panel (A). Then use cam-tool (U) tightens the cam-lock (K) clockwise into the left/right/stand panel (B/B1/J). At last, through the holes of baffle (C) rotate the screws (V) into the top panel(A)(See the left picture).

6). Assembly the bucket.

Put the bag (W) into the bucket, Insert the hinge(R) into the inside side panel (G) and the stand panel (J) and the left/right side panel (B/B1) (See the right picture)



7). Assembly the back panel (E)

Thought the holes of back panel (E) to rotate the screws (S) into the top panel (A) and the side panel (B/B1) and the stand panel (J) and bottom panel (D), at the same time, through the adorn panel (X) to rotate the screws (V) into the left/right panel (B/B1). (See the left picture)

8). Ok Assembly complete. (See the below picture)

