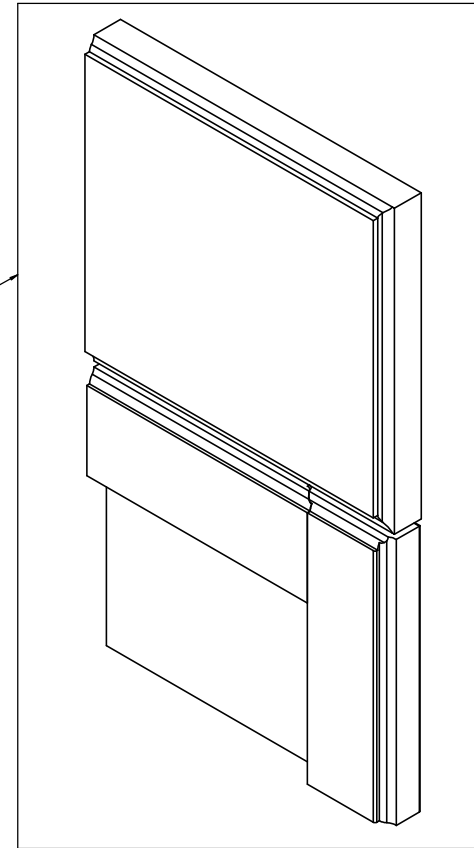
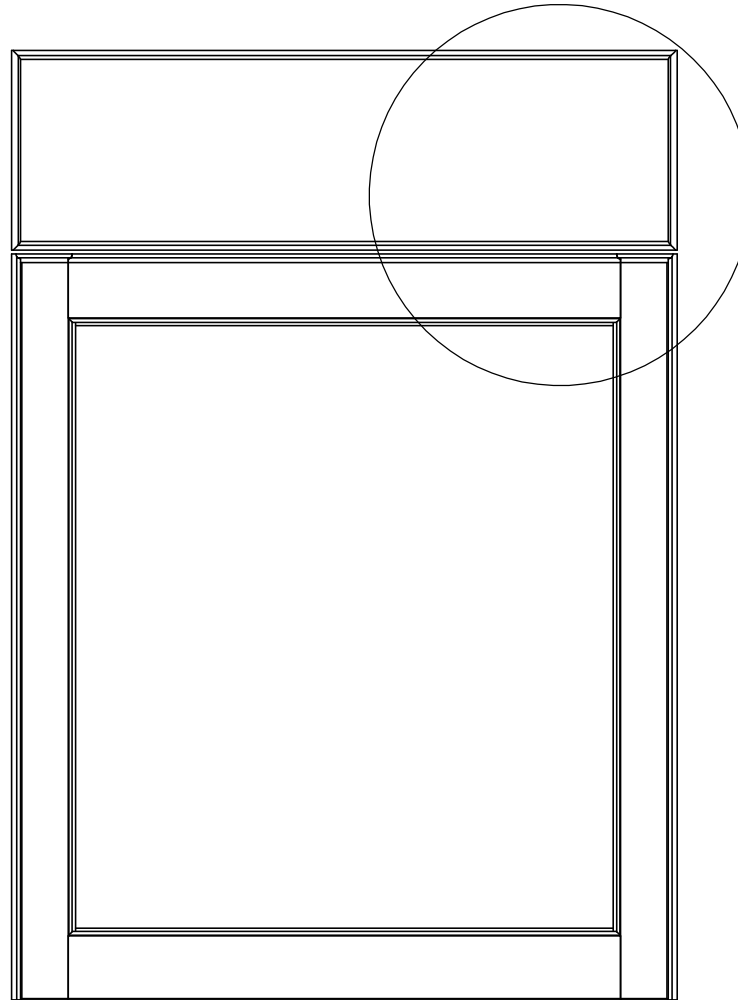


Item ID	Front Thickness [in] mm	Door Thickness [in] mm
EH2135B-GB	[.75] 19	[.75] 19

This profile belongs to EH2135B-GB



Detailed View

Profile: Easthaven German Beech

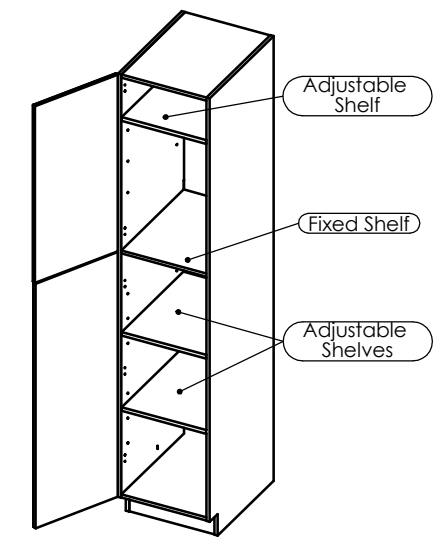
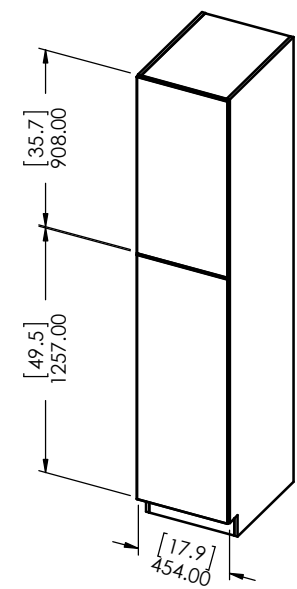
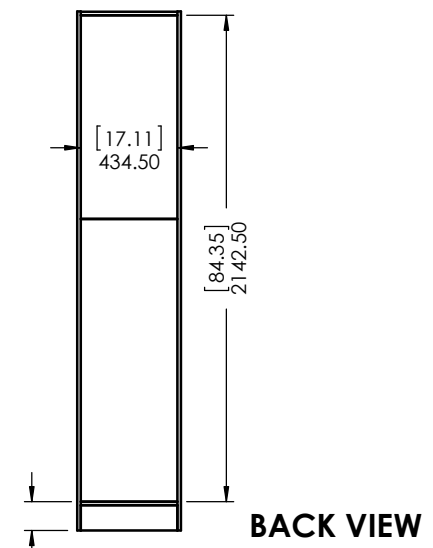
PROPRIETARY AND CONFIDENTIAL
 THE INFORMATION CONTAINED IN THIS DRAWING IS THE SOLE PROPERTY OF WOODCRAFTERS. ANY REPRODUCTION IN PART OR AS A WHOLE WITHOUT THE WRITTEN PERMISSION OF WOODCRAFTERS IS PROHIBITED.

UNLESS OTHERWISE SPECIFIED
 DIMENSIONS ARE IN MM AND (INCHES)
 TOLERANCES ARE
 +.039[1]-.039[1]
 SCALE:1:2

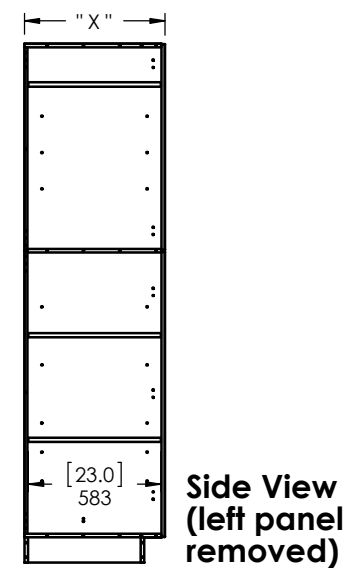
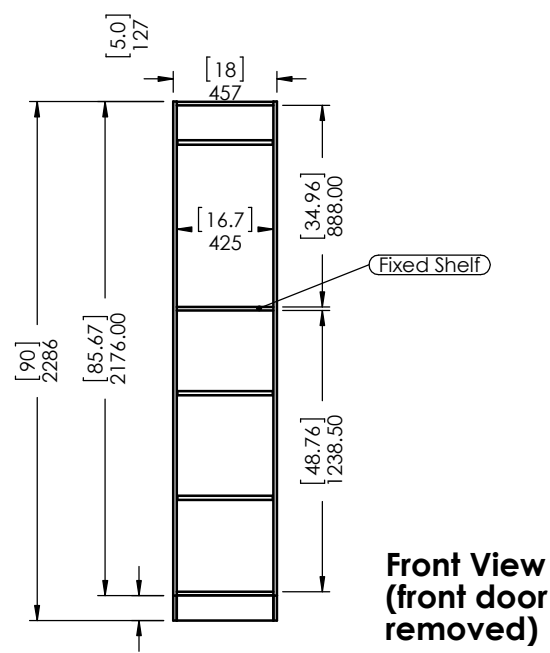


Item ID	Fixed Shelf Thickness (in)	Adj. Shelf Thickness (in)	Depth "X" (in)
BT1890P-BT	.625	.75	24.6
BT1890P-WH	.625	.75	24.5
BT1890P-RC	.625	.75	24.6
CM1890P-DK	.625	.75	24.6
EH1890P-GB	.625	.75	24.6
CM1890P-KG	.625	.75	24.5

REV	ECO#	DESCRIPTION	REV'D BY DATE	CHK'D BY DATE	APRV'D BY DATE
0		New Release	ASG 9/21/17	ASG 9/21/17	ASG 9/21/17
1		Removed back cleats and MDF backing and replaced them with a full back of PB 1/2in	ASG 7/25/18	ASG 7/25/18	ASG 7/25/18



ISOMETRIC VIEW



PROPRIETARY AND CONFIDENTIAL
 THE INFORMATION CONTAINED IN THIS DRAWING IS THE SOLE PROPERTY OF WOODCRAFTERS HOME PRODUCTS L.L.C. ANY REPRODUCTION IN PART OR AS A WHOLE WITHOUT THE WRITTEN PERMISSION OF WOODCRAFTERS HOME PRODUCTS L.L.C. IS PROHIBITED.

UNLESS OTHERWISE SPECIFIED
 DIMENSIONS ARE IN mm and [inches] AND TOLERANCES ARE +/- 0.5(0.02)

DRAWN BY:	A.Salinas	8/23/17
CHECKED BY:	A.Salinas	8/23/17
APPROVED BY:	A.Salinas	8/23/17
DO NOT SCALE DRAWING	SCALE: 1:33.3	SIZE: A

Wood Crafters
 PART NO: **Kitchen Pantry Cabinet 18x90**
 SHEET 1 OF 1
 REV: **0**