



CHANGING YOUR LANDSCAPE SINCE 1945

# Owner's Manual

## Pack Mule

### 18781

Starting Serial #:  
L212-135001



**IMPORTANT**  
Read and follow all  
Safety Precautions  
and Instructions  
Before Operating this  
Equipment.



## ATV ACCESSORIES

ASSEMBLY  
OPERATION  
SERVICE AND ADJUSTMENT  
REPAIR PARTS



1602 CORPORATE DRIVE WARRENSBURG, MISSOURI 64093  
TELEPHONE: 800.222.8183 FAX: 660.747.8650  
[swisherinc.com](http://swisherinc.com)



**CHANGING YOUR LANDSCAPE SINCE 1945**

## **Limited Warranty**

The manufacturer's warranty to the original consumer purchaser is: This product is free from defects in materials and workmanship for a period of one (1) year from the date of purchase by the original consumer purchaser. We will repair or replace, at our discretion, parts found to be defective due to materials or workmanship. This warranty is subject to the following limitations and exclusions:

- 1) Commercial Use      The warranty period for any product used for commercial or rental is limited to ninety (90) days from the date of original purchase.
  
- 2) Limitations            This warranty applies only to products which have been properly assembled, adjusted, and operated in accordance with the instructions contained within this manual. This warranty does not apply to any product of Swisher, that has been subject to alteration, misuse, abuse, improper assembly or installation, or shipping damage.
  
- 3) Exclusions             Excluded from this warranty are normal wear, normal adjustments, and normal maintenance.

In the event you have a claim under this warranty, you must return the product to an authorized service dealer. All transportation charges, damage, or loss incurred during transportation of parts submitted for replacement or repair under this warranty shall be borne by the purchaser. Should you have any questions concerning this warranty, please contact us toll-free at 1-800-222-8183. The model number, serial number, date of purchase, and the name of the authorized Swisher dealer from whom you purchased the product will be needed before any warranty claim can be processed.

**THIS WARRANTY DOES NOT APPLY TO ANY INCIDENTAL OR CONSEQUENTIAL DAMAGES AND ANY IMPLIED WARRANTIES ARE LIMITED TO THE SAME TIME PERIODS STATED HEREIN FOR ALL EXPRESSED WARRANTIES.**

Some states do not allow the limitation of consequential damages or limitations on how long an implied warranty may last, so the above limitations or exclusions may not apply to you. This warranty gives you specific legal rights and you may have other rights, which vary from state-to-state. This is a limited warranty as defined by the Magnuson-Moss Act of 1975.



This Safety Alert Symbol indicates important messages in this manual. When you see this symbol, carefully read the message that follows and be alert to the possibility of personal injury.

**Carefully read and follow these safety precautions. Failure to follow these precautions could result in property damage, personal injury or death.**



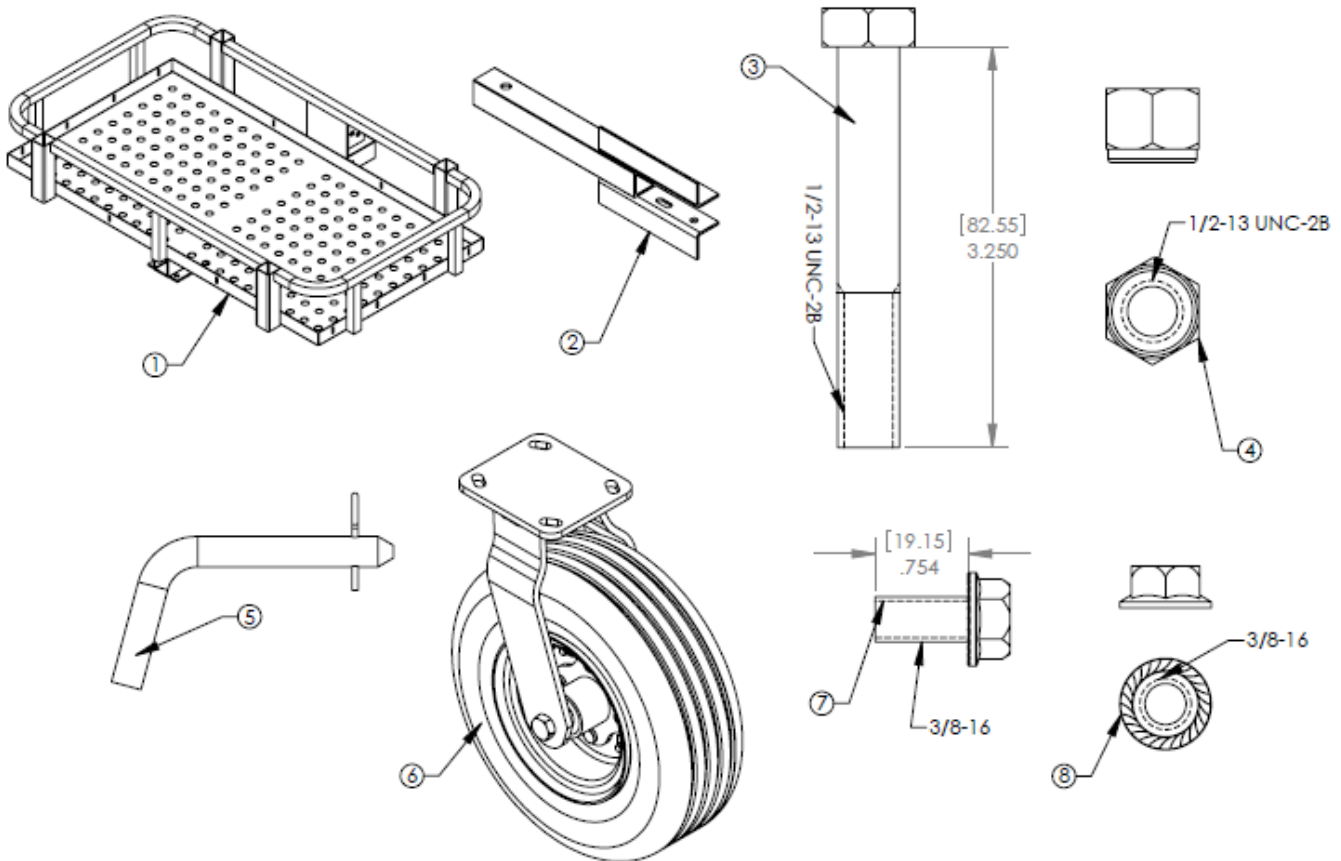
## **SAFETY PRECAUTIONS!**

- Make sure the trailer is properly connected to the tow vehicle before use.
- Do not allow passengers to ride on the trailer.
- The Pack Mule is designed to be pivoted into the tilt positions when traveling or when not in use. Use caution when raising the trailer into the tilt positions and make sure the bent pin and hairpin are secure.
- Use caution when removing the bent pin to lower the trailer into the towing position. The trailer could swing down and cause personal injury.
- This trailer is not intended to be towed faster than 5 mph.
- This trailer has a weight limit of 300 lbs. Do not exceed the weight limit of the trailer or the receiver hitch tongue capacity of the vehicle you are towing with.
- Make sure the load is properly balanced and secure before towing.
- Inspect all fasteners for proper tightness before each use.
- Inspect the tire and the trailer for wear before each use. If there is any sign of damage, repair or replace it before using.
- Make sure the tire is properly inflated. The proper tire pressure can be found on the sidewall of the tire.
- The wheel and caster bearings are equipped with grease zerk fittings and should be periodically lubricated using multi-purpose bearing grease.

# Parts List

**Before assembling your trailer please check the table and diagram below to familiarize yourself with the parts and to make sure no parts are missing.**

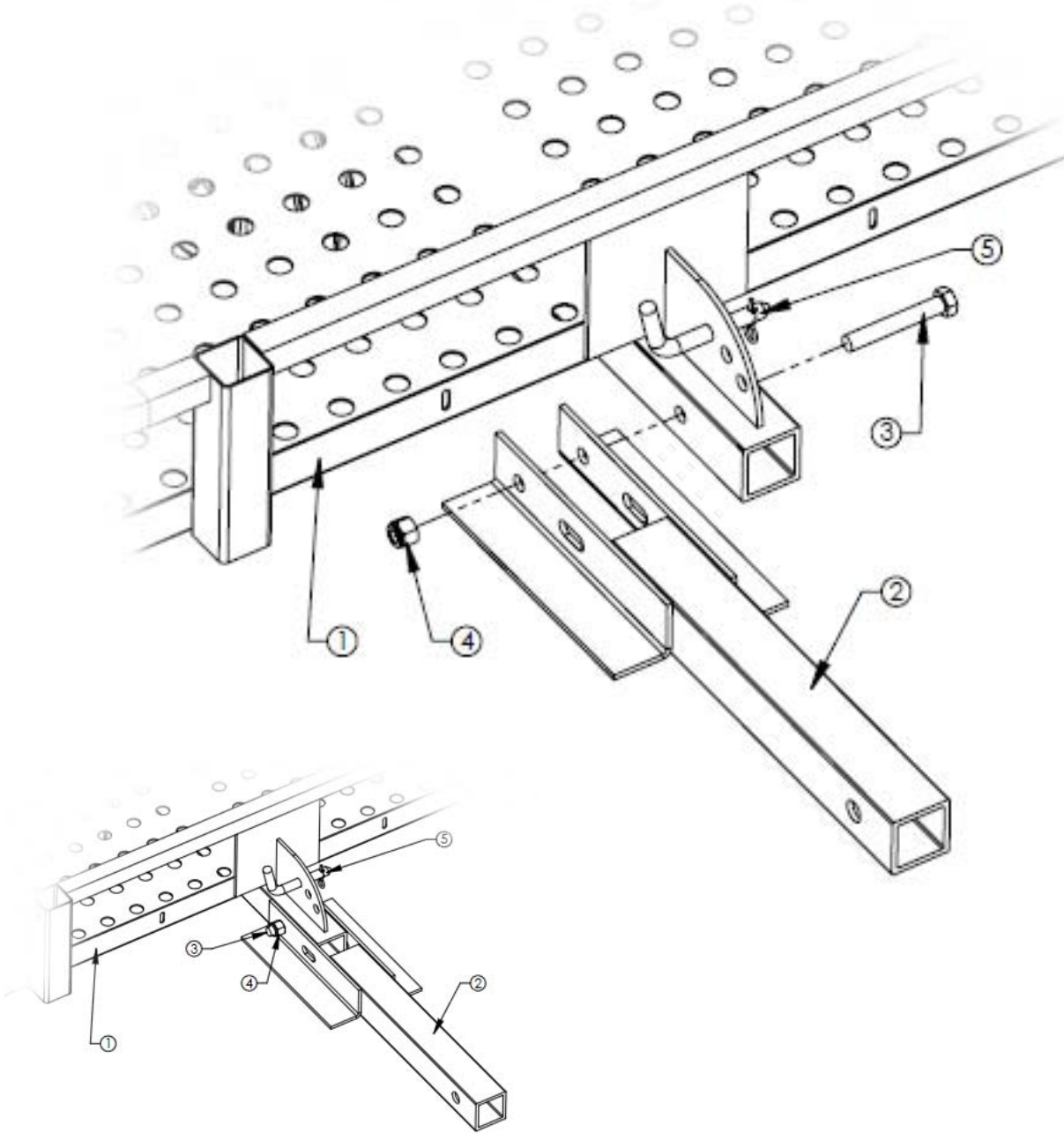
Item #	Qty	Part #	Description
1	1	18776TK	Weldment - Trailer
2	1	18775TK	Weldment - Hitch
3	1	12669	Bolt - 1/2-13 X 3.25
4	1	NB281	Nut - Nyloc 1/2-13
5	1	NB606	Pin - Bent 1/2 X 3 with Hair Pin
6	1	18772	Caster - Swivel
7	4	NB780	Bolt - Serrated Flange 3/8-16X3/4
8	4	NB779	Nut - Serrated Flange 3/8-16



# Assembly Instructions

First, assemble trailer 18776TK (1) to hitch 18775TK (2) using bolt NB131 (3) and nut NB281 (4). Thread the nut onto the bolt until tight and then loosen one half turn, allowing the trailer to be able to pivot.

Next, insert bent pin NB606 (5) through one of the three tilt position holes and secure it with the hairpin.

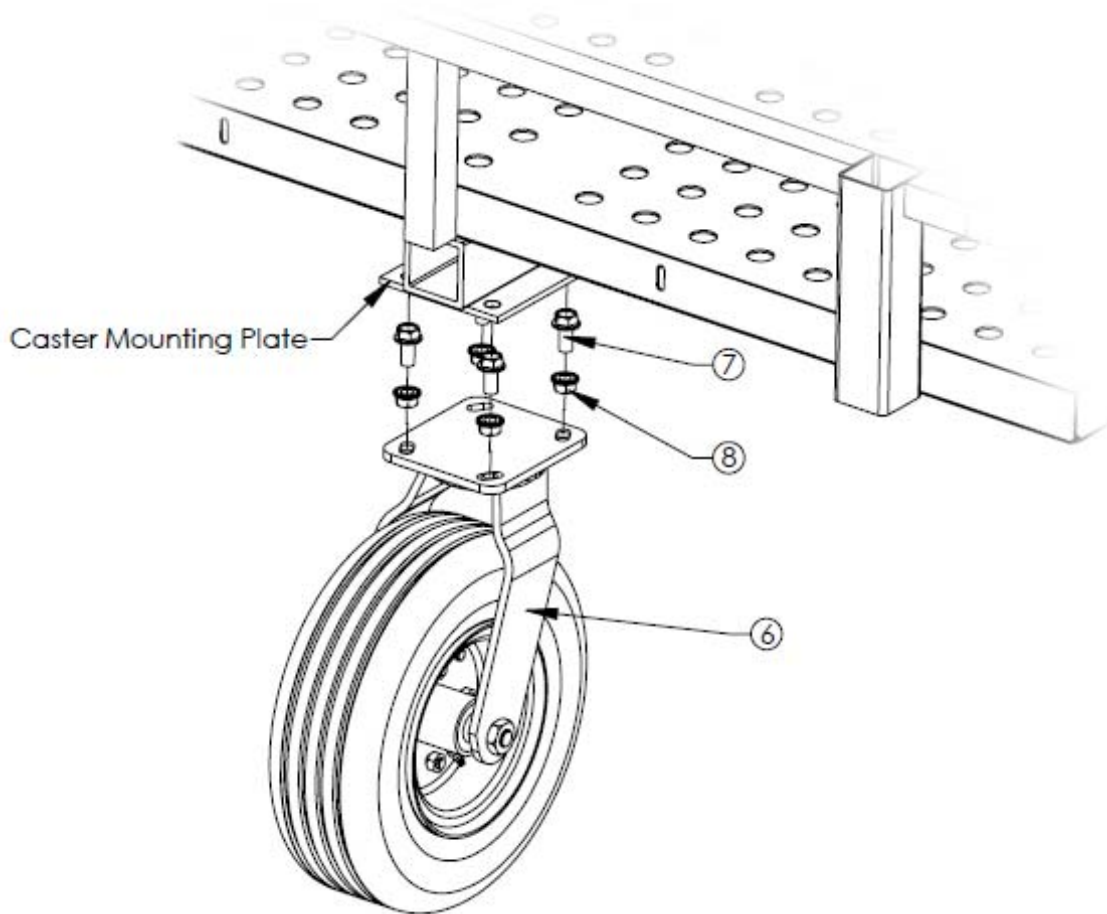


## Assembly Instructions Cont'd

Finally, attach caster 18772 (6) to the caster mounting plate of the trailer using bolt NB780 (7) and nut NB779 (8), tightening securely.



**Before using your trailer please carefully read and follow the safety precautions on page three. Failure to follow the safety precautions could result in property damage, personal injury or death.**

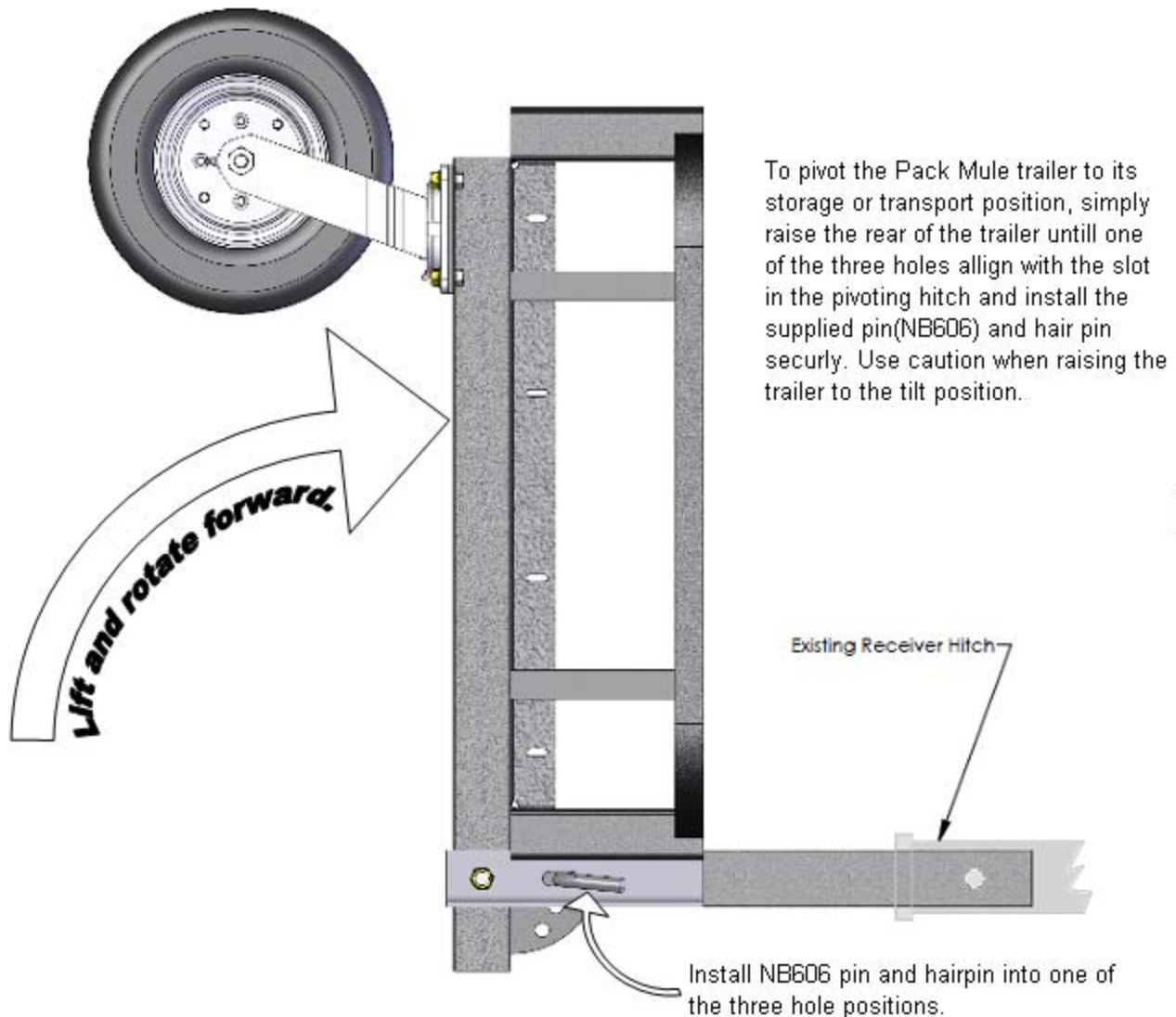


## Directions For Use

To attach the Pack Mule trailer to your tow vehicle simply align the hitch tube with any standard 2" receiver hitch on your ATV and slide the hitch through until the holes for the hitch pin are aligned and install your existing hitch pin.

When your Pack Mule trailer is not in use during transport or for storage the trailer can be raised off of the ground and rotated forward. Use the NB606 hitch pin supplied with the trailer to secure the trailer in the raised position. (as pictured below)

## Storage or transport position



# SWISHER®

CHANGING YOUR LANDSCAPE SINCE 1945

*Owner's  
Manual*

Pack Mule

18781



**IMPORTANT**  
Read and follow all  
Safety Precautions  
and Instructions  
Before Operating this  
Equipment.

18777  
Decal Kit - Pack  
Mule



18819  
Decal - USA Flag



18779  
Decal - Pack Mule  
Patent

This product is covered under  
Patent No. USD593,927S and  
other patents pending.

OD99125  
Decal - Swisher Logo



## ATV ACCESSORIES

WHEN ORDERING PARTS, PLEASE HAVE THE  
FOLLOWING INFORMATION AVAILABLE:

- \* PRODUCT - \_\_\_\_\_
- \* SERIAL NUMBER - \_\_\_\_\_
- \* MODEL NUMBER - \_\_\_\_\_
- \* TYPE - \_\_\_\_\_
- \* PART NUMBER WITH PAINT CODE
- \* PART DESCRIPTION

1602 CORPORATE DRIVE WARRENSBURG, MISSOURI 64093  
TELEPHONE: 800.222.8183 FAX: 660.747.8650  
[swisherinc.com](http://swisherinc.com)