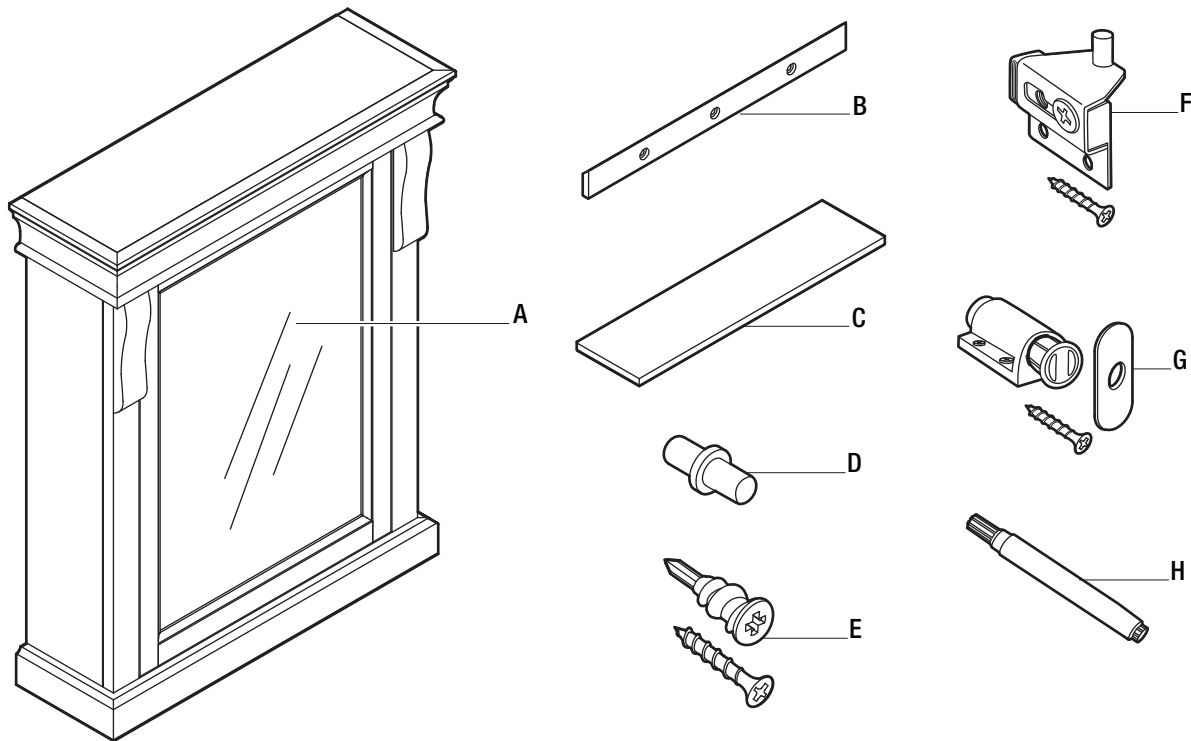


REPLACEMENT PARTS LIST

NAPLES MEDICINE CABINET



Please use the table below to identify the part number needed, and call FGI Industries, Ltd. Customer Service for your replacement at **888-620-3667**. Our team is available to assist you Monday - Friday, 7:00 A.M. - 5:00 P.M. (CST).

Part	Description	Part #
A	Door	PB-NADGC2531-MIRDR
B	Hanging Rail (1 rail; 3 screws)	PB-NACO2633-H RAIL
C	Shelf	PB-NADGC2531-IS
D	Shelf Pin	PB-SHELFPIN-CTP001
E	Drywall Anchor	PB-WALL ANCHOR-BH004
F	Door Hinge (1 hinge; 2 screws)	PB-HINGE-HY012
G	Magnet Latch (1 latch; 1 plate; 5 screws)	PB-MAGNETLATCH-CP001
H	Touch Up Pen	PB-TUKIT027