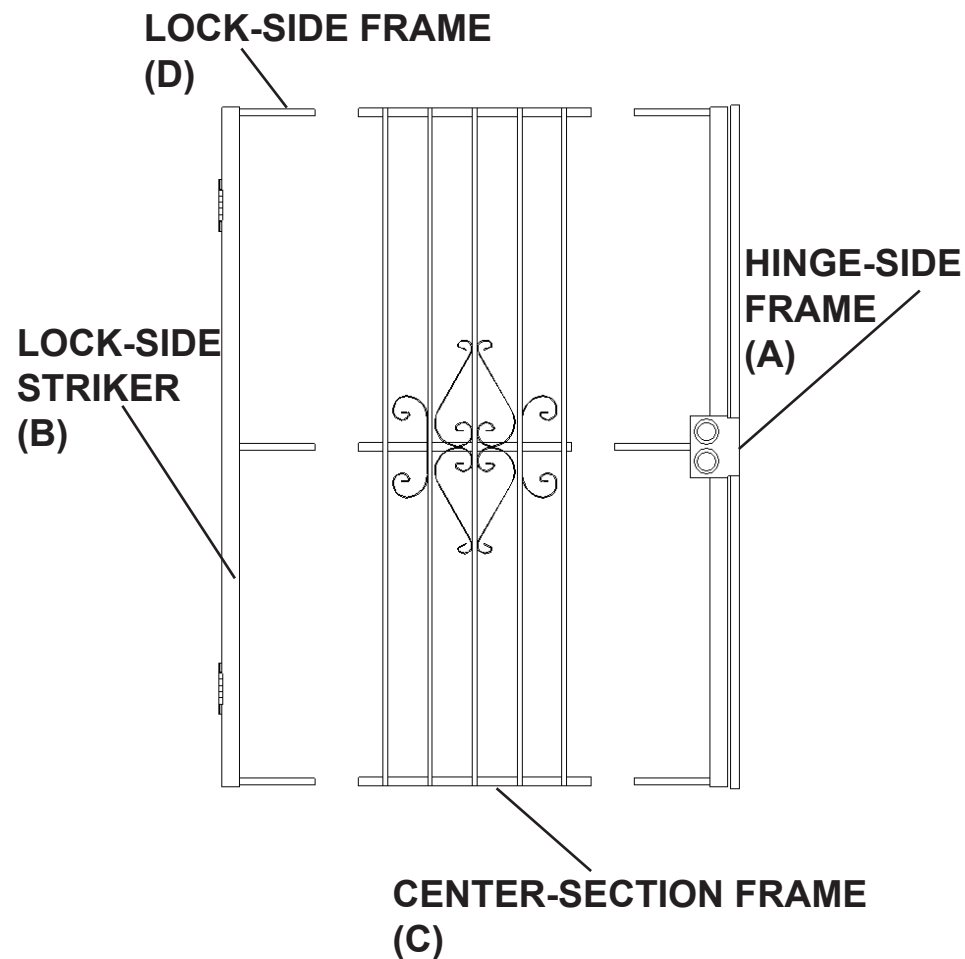


**(Please read all instructions carefully before starting.)**



**Note: During installation, snug screws in position (do not tighten until door is completely hung) then tighten all screws securely.**

1. Center hinge side frame **(A)** against jamb at desired location and install Phillips head screws in hinges
2. Position lock-side striker **(B)** at same elevation on the opposite jamb and install top Phillips head screw only!
3. Attach center section frame **(C)** to hinge side frame **(A)**.
4. Attach lock side frame **(D)** to center section frame **(C)**.
5. Adjust center section frame **(C)** evenly between two side frames **(A)** and **(D)**. Leave 1/4" clearance between lock side frame **(D)** and lock side striker **(B)**.
6. Insert tamper-resistant one-way screws in center section frame **(C)**. (Remember, do no tighten!)
7. Close door and align against lock side striker **(B)**. Hold bottom of lock side striker **(B)** in place, open door, and insert remaining Phillips head screws in lock side striker **(B)**.
8. Tighten all screws securely.