

# PREMIUM STRAIGHT RAIL

**LBP1660, LBP1661, LBP1560**

Customer Service#: 800.273.8909



## INSTRUCTIONS:

### Required Tools:

- Drill, Screwdriver, 1/8" metal bit, Level, Measuring tape, Hacksaw, PVC glue or silicone caulking

Compliant with NBCC, OBC, BOCA, UBC, and SBC building codes:

### Installation Tips:

- When measuring for post installation, the measurement given is from the center of one post to the center of the next, NOT the distance between the posts (Fig.1)
- It might be necessary to cut the rails to balance the sections properly. Always cut an equal amount from each end of the rail so the pickets are well centered
- If trimming a section is necessary, be sure to remove the steel insert (included in top & bottom rail) before cutting. Do not cut the steel insert near the PVC products, as the steel debris may damage the PVC.
- Plan and draw your railing project, (plan to scale) (Fig.2). Sketch your project with the actual measurements of your deck or balcony with the location of the railings that need to be installed.
- When steel reinforcement inserts are cut, you must apply an anti-rust primer to the cut end to avoid rusting.
- If you need to comply to ICC-ES AC174 building code requirements, you must install 1.5 in. screws on each side of the rail brackets, (refer to instruction sheet "A" in the screws bag)

These instructions may not cover all situations. If you need help, don't hesitate to call our toll free line at # 800.273.8909 and one of our advisors will be pleased to help you.

### 1. Post Installation

Draw a line with a pencil at 2" from the edge of your deck or balcony to guide your installation. Start your installation from a corner or along a structure. Install the first post bracket to the surface with its PVC post over it. Use the length of the bottom rail to determine at what distance to place the second post. Install the second post into place.

### 2. Center Support

For 72" sections, install the two center supports equal distances from the post. (i.e. 24" from end of rail if 6')

### 3. Bottom Rail

Prior to installation; A few small 1/8" holes equally spaced should be drilled at underside of bottom rails only. This will allow for escape of any moisture.

### 4. Pickets (Fig.5-6)

## For Reference

Once the bottom rail is secure, you can insert the pickets into the holes of the bottom rail. Please note that all pickets are crimped (notched). Make sure that the crimp that is 1 5/16" from the bottom of the pickets goes into the bottom rail.

## 5. Top Rail

Once all the pickets are in place, you can install the top rail. The steel insert for the top & bottom rail should already be inside (make sure that the insert's opening faces upward, see Fig.4). Place the brackets over the rail ends, then position it between the posts and over the pickets. Push it down firmly into place. Verify that the section is level and screw the brackets to the posts (refer to instruction sheet "A" in supplied screw bag). Install the other sections in the same manner, one section at a time.

## 6. Finishing Touches

Install the two pieces base moldings at the bottom of the posts.

Use PVC glue or silicone caulking to attach the caps.

Fig.1

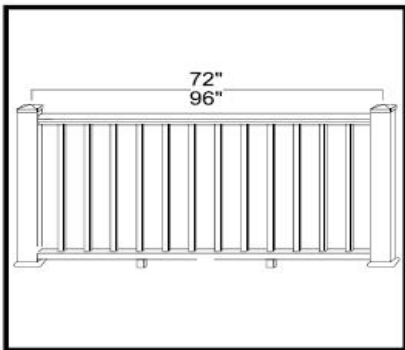


Fig.2

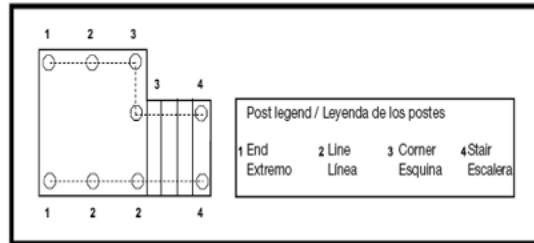


Fig.3

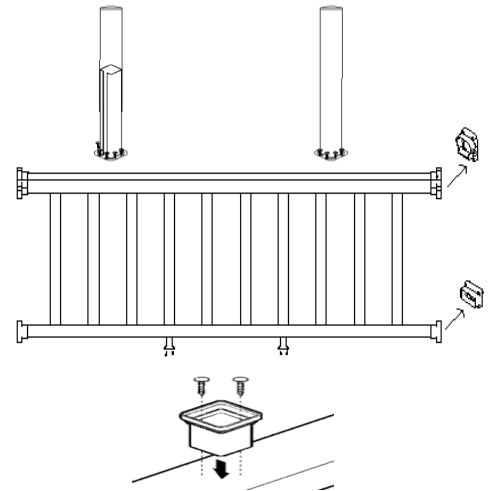


Fig. 4

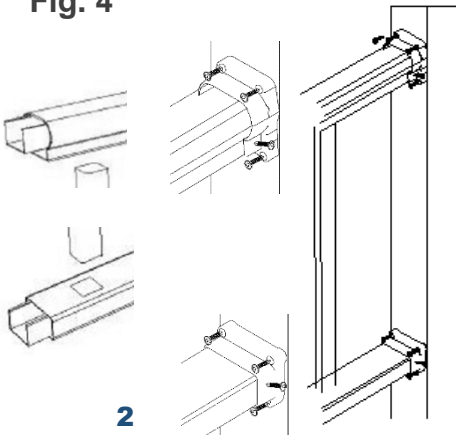


Fig. 5

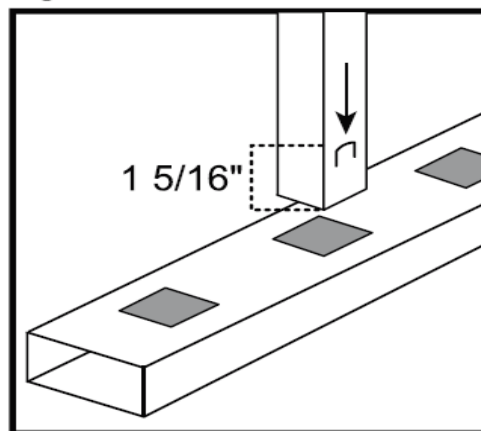


Fig. 6

