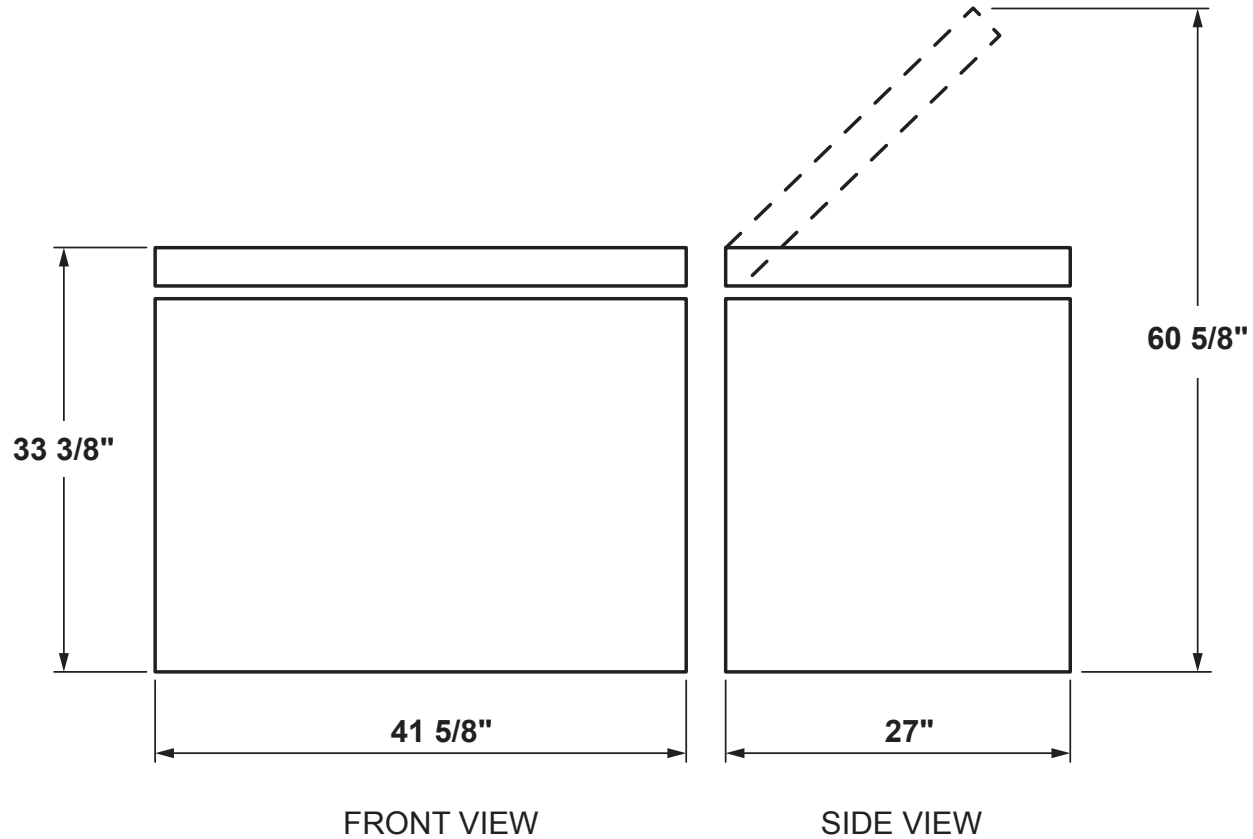


HCM9DM

Hotpoint® 9.4 Cu. Ft. Manual Defrost Chest Freezer

DIMENSIONS AND INSTALLATION INFORMATION

AIR CLEARANCE	
Each side (in.)	2
Back (in.)	2



Hotpoint®

For answers to your Hotpoint product questions, visit our website at hotpoint.com or call 800.626.2000.



Specification Created 4/18

HCM9DM

Hotpoint® 9.4 Cu. Ft. Manual Defrost Chest Freezer

FEATURES AND BENEFITS

Hi Temp indicator light – Automatically illuminates when door is open

LED interior lighting – Automatically illuminates when door is open

2 sliding bulk storage baskets – Offers flexibility to organize and store favorite foods for quick, easy access

Lock with key – Allows you to protect your valuable food items from unintentional entry

Model HCM9DMWW – White

