



# RNG-300D

## 300W Monocrystalline Solar Panel

### Key Features

The Renogy 300 Watt 24 Volt Monocrystalline Solar Panel is the first step to converting your house from an energy dependant home to a energy producing location.

- High module conversion efficiency
- Top ranked PTC rating
- Quick and inexpensive mounting
- 100% EL testing on all Renogy modules
- No hot spots guaranteed

### Potential Uses

The Renogy 300 Watt Monocrystalline Panel can be primarily used in on-grid applications that include multi-panel solar arrays.



Power Output Warranty



Material and Workmanship Warranty

# RNG-300D

## 300W Monocrystalline Solar Panel

### Electrical Data

Maximum Power at STC*	300 W
Optimum Operating Voltage ( $V_{mp}$ )	32.25 V
Optimum Operating Current ( $I_{mp}$ )	9.33 A
Open Circuit Voltage ( $V_{oc}$ )	39.82V
Short Circuit Current ( $I_{sc}$ )	9.78 A
Module Efficiency	18.24%
Maximum System Voltage	1000 VDC UL
Maximum Series Fuse Rating	15 A

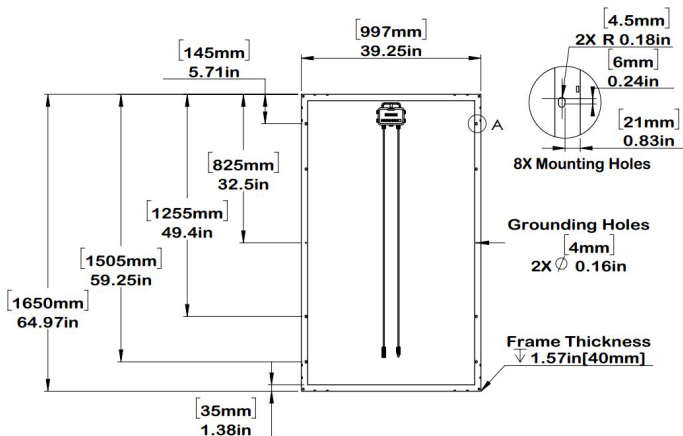
### Thermal Characteristics

Operating Module Temperature	-40°C to +90°C
Nominal Operating Cell Temperature (NOCT)	47±2°C
Temperature Coefficient of Pmax	-0.47%/°C
Temperature Coefficient of Voc	-0.33%/°C
Temperature Coefficient of Isc	0.03%/°C

### Junction Box

IP Rating	IP 67
Diode Type	SB3050DY
Number of Diodes	3 Diode(s)
Output Cables	12 AWG (2.79 ft long)

### Module Diagram



### Mechanical Data

Solar Cell Type	Monocrystalline (6.14 x 6.14 in)
Number of Cells	60 (6 x 10)
Dimensions	64.96 x 39.25 x 1.57 in (1650 x 997 x 40 mm)
Weight	42.8 lbs (19.4 kg)
Front Glass	Tempered Glass 0.13 in (3.2 mm)
Frame	Black Anodized Aluminium Alloy
Connectors	MC4 Connectors
Fire Rating	Type 2

### MC4 Connectors

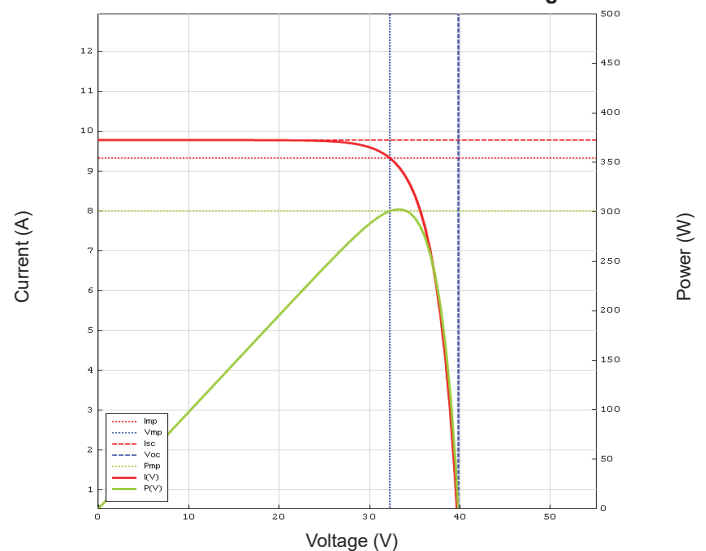
Rated Current	30A
Maximum Voltage	1000VDC
Maximum AWG Size Range	10 AWG
Temperature Range	-40°F to 194°F
IP Rating	IP 67

### Certifications



### IV-Curve

RNG-300D Characteristics Versus Voltage



\*All specifications and data described in this data sheet are tested under Standard Test Conditions (STC - Irradiance: 1000W/m<sup>2</sup>, Temperature: 25°C, Air Mass: 1.5) and may deviate marginally from actual values. Renogy and any of its affiliates has reserved the right to make any modifications to the information on this data sheet without notice. It is our goal to supply our customers with the most recent information regarding our products. These data sheets can be found in the downloads section of our website, [www.renogy.com](http://www.renogy.com)