



Count on it.

Parts Catalog

60in Bagger Kit

TimeCutter® MX 6050 Riding Mower

Model No. 79396—Serial No. 40000000 and Up



Ordering Replacement Parts

To order replacement parts, please supply the part number, the quantity, and the description of each part desired.

Understanding Reference Numbers

Each identified part in an illustration has a reference number. The reference number for a part also appears in the parts list, along with other information about the part.

This catalog uses two special reference number formats, one to indicate parts in a service assembly and another to indicate the quantity of a given part in an illustration.

Service Assembly Reference Numbers

Parts in service assemblies have reference numbers in the form a:b. The a represents the reference number of the entire service assembly and the b represents a sequential number unique to each part within the service assembly.

For example, a wheel assembly might be identified by reference number 6, the tire by 6:1, the valve by 6:2, and the wheel by 6:3. When you order the assembly identified by reference number 6, you receive all parts identified by reference numbers 6:1, 6:2, and 6:3. However, you may also order any part individually. Reference numbers of this type appear in illustration and in parts lists.

Reference Numbers Indicating Quantity

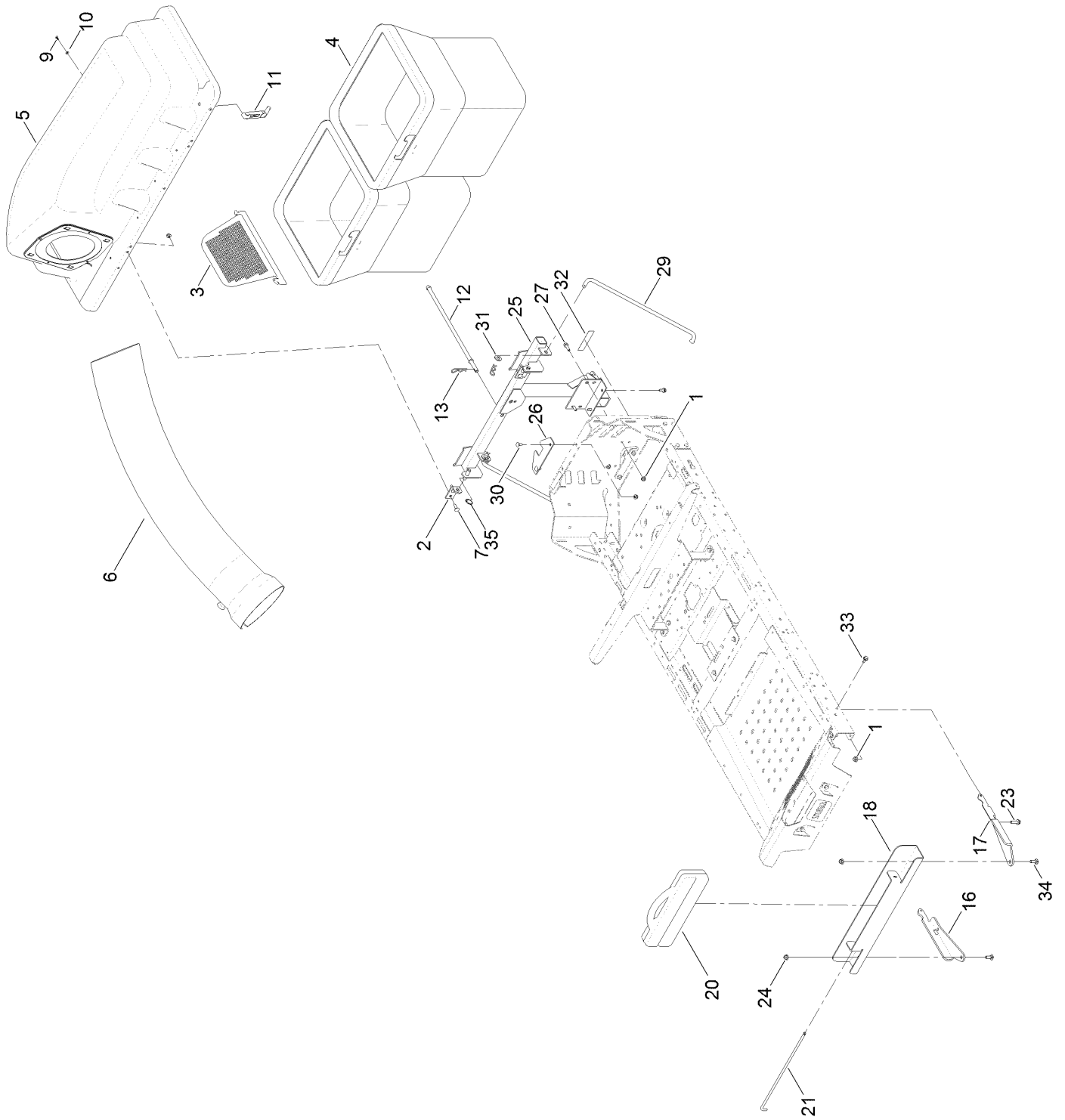
In an illustration, if a reference number indicates more than one part, the reference number has the form nX y. The n represents the quantity of the part, the X is the multiplication symbol, and the y represents the reference number.

For example, in an illustration, the reference number 2X 37 means that two of the parts identified by reference number 37 are indicated.

Contents

Bagger Assembly	4
Bag Assembly No 112-3994	6
Bagger Top Assembly No. 131-8654	8
Blade and Baffle Assembly	10
Bagger Boot Assembly No. 119-3457	12

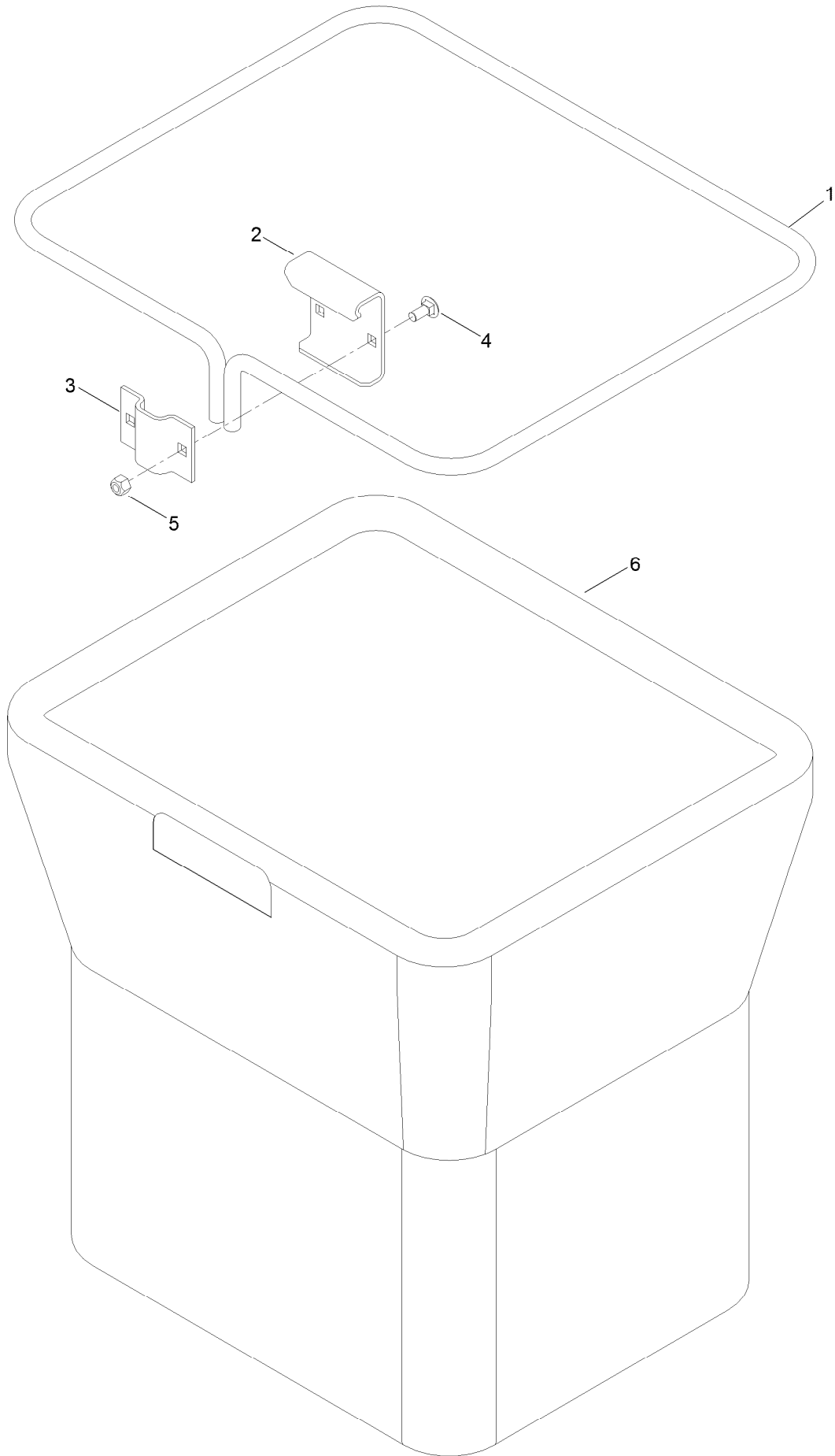
Bagger Assembly



Bagger Assembly (continued)

<i>Ref.</i>	<i>Part Number</i>	<i>Qty.</i>	<i>Description</i>	<i>Ref.</i>	<i>Part Number</i>	<i>Qty.</i>	<i>Description</i>
1	104-8300	8	Nut-Flange, NI	20	109-9742-05	1	Weight-35 Pound
2	112-3987	2	Bracket-Pivot, Hopper	21	109-9759	1	Pin-Weight
3	112-3993	1	Screen-Bagger	23	119-4061	2	Screw-HHF
4	112-3994	2	Bag ASM	24	104-8301	2	Nut-Hex Flg
5	131-8654	1	Bagger Top ASM	25	136-4231-03	1	Frame-Pivot
6	117-5379	1	Tube-Bagger	26	131-3967-03	1	Bracket-Stabilizer
7	3230-2	4	Bolt-CARR	27	3234-29	2	Screw-HHF
9	132-6919	2	Screw-Plastite	29	136-5593	2	Rod-Support
10	3256-77	2	Washer-Flat	30	3230-1	2	Bolt-CARR
11	116-4992	1	Latch-Rubber	31	3256-26	2	Washer-Flat
12	131-4189	1	Rod-Hood, Down (Hold)	32	131-4036	1	Decal
13	3290-355	3	Pin-Hair	33	32144-70	4	Screw-HWHTF
16	136-7461-03	1	Weight-Bracket, RH	34	3231-2	2	Bolt-CARR
17	136-7462-03	1	Weight-Bracket, LH	35	120-7127	1	Pin-Cotter, Circular
18	120-5491-03	1	Channel-Weight, Bagger				

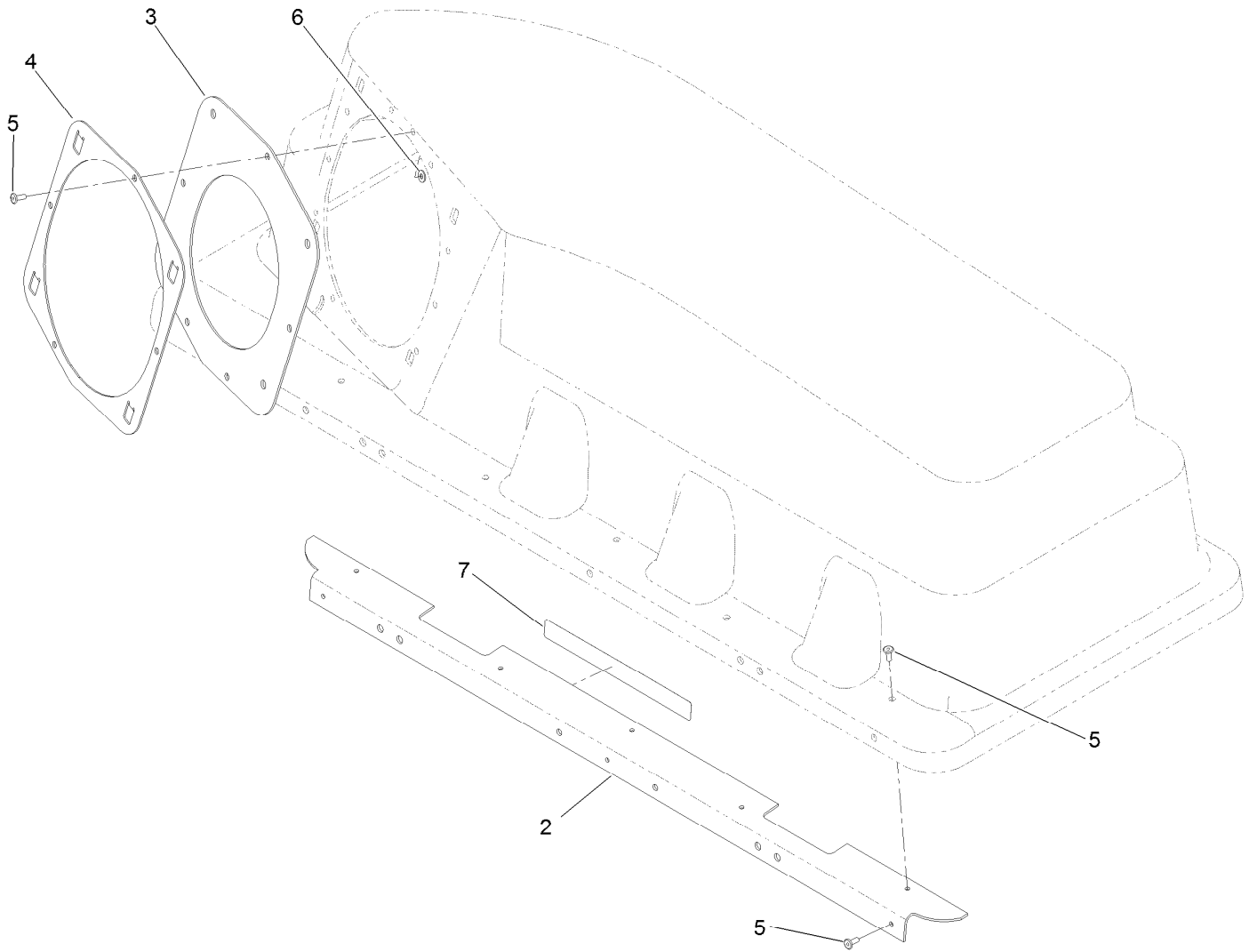
Bag Assembly No 112-3994



Bag Assembly No 112-3994 (continued)

<i>Ref.</i>	<i>Part Number</i>	<i>Qty.</i>	<i>Description</i>	<i>Ref.</i>	<i>Part Number</i>	<i>Qty.</i>	<i>Description</i>
1	114972-03	1	Frame-Bag	4	3230-1	2	Bolt-CARR
2	114973-03	1	Hanger-Bag	5	3296-29	2	Nut-Lock, NI
3	114974-03	1	Clamp	6	110-6674	1	Bag

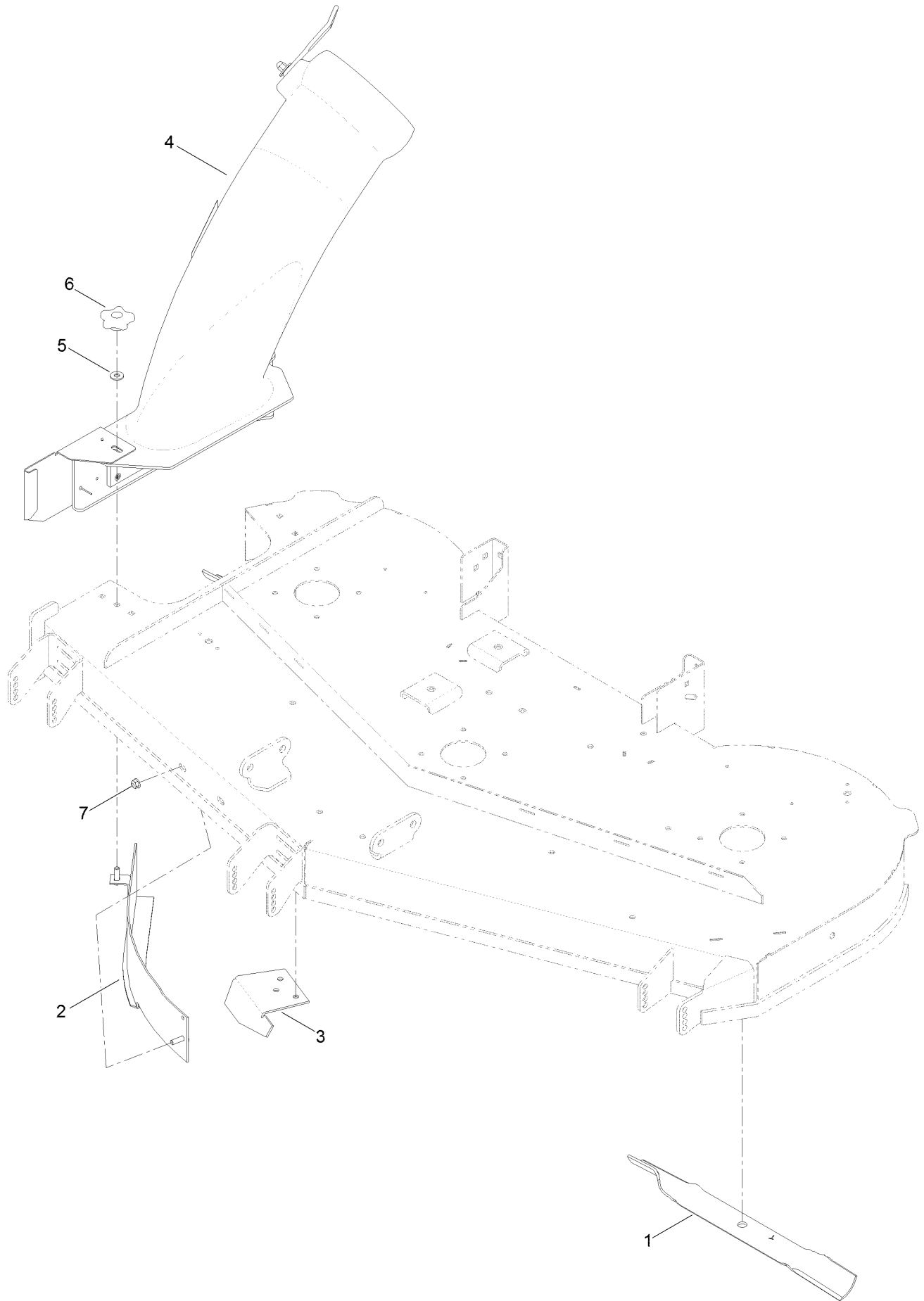
Bagger Top Assembly No. 131-8654



Bagger Top Assembly No. 131-8654 (continued)

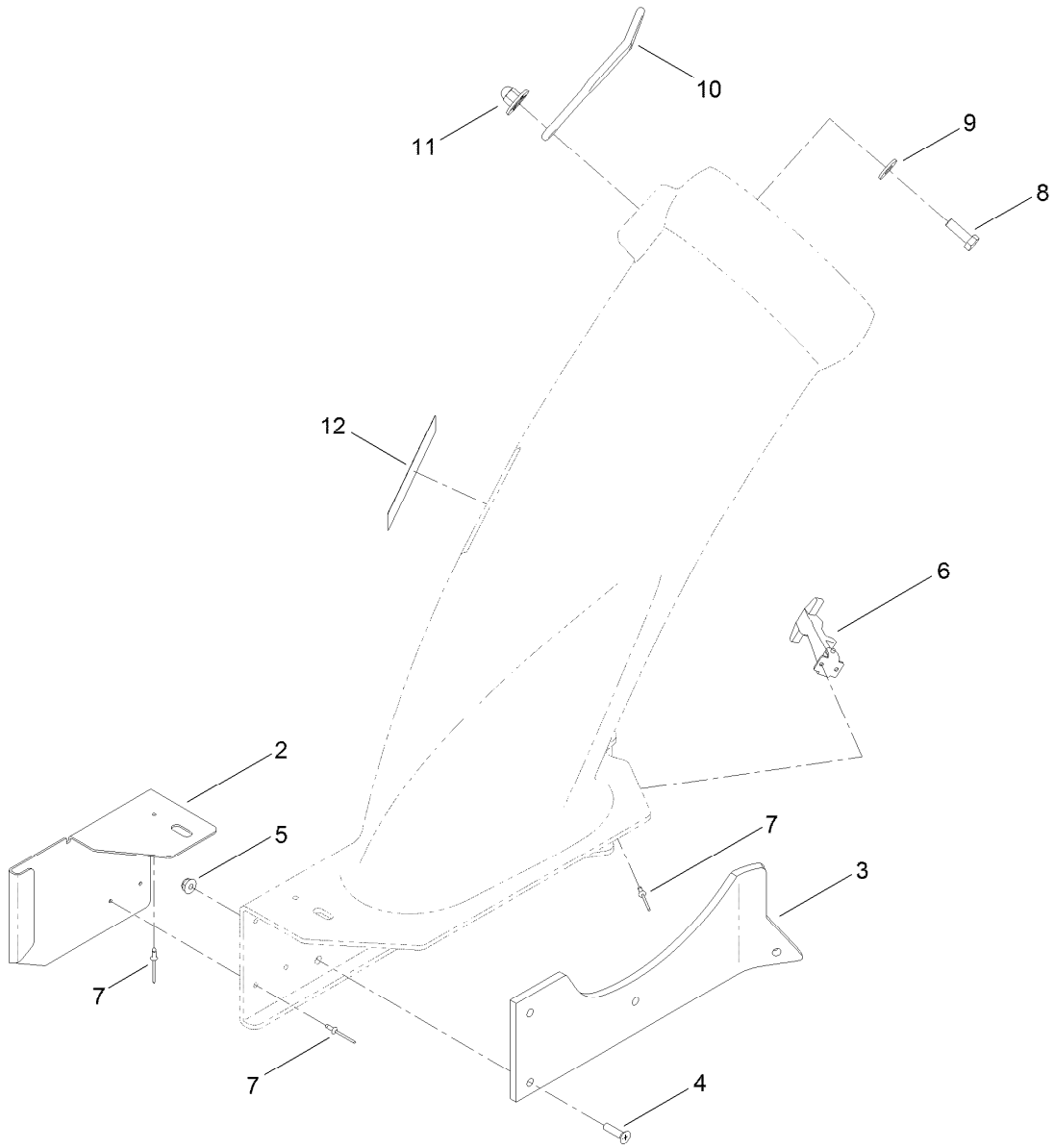
<i>Ref.</i>	<i>Part Number</i>	<i>Qty.</i>	<i>Description</i>	<i>Ref.</i>	<i>Part Number</i>	<i>Qty.</i>	<i>Description</i>
2	116-1242-03	1	Stiffener-Bagger Top	5	114439	12	Rivet-Pop
3	112-4001	1	Gasket	6	9202704	4	Washer-Flat
4	112-4000-03	1	Ring-Retainer	7	109-6809	1	Decal-Caution, Bagger

Blade and Baffle Assembly



Blade and Baffle Assembly (continued)

<i>Ref.</i>	<i>Part Number</i>	<i>Qty.</i>	<i>Description</i>	<i>Ref.</i>	<i>Part Number</i>	<i>Qty.</i>	<i>Description</i>
1	115-5001-03	3	Blade-20.50 Inch	5	3256-3	1	Washer-Flat
2	136-5620-03	1	Baffle ASM	6	117-5976	1	Knob-Handle
3	136-9217-03	1	Baffle-Cutoff	7	104-8300	1	Nut-Flange, NI
4	119-3457	1	Bagger Boot ASM				



Bagger Boot Assembly No. 119-3457

<i>Ref.</i>	<i>Part Number</i>	<i>Qty.</i>	<i>Description</i>
2	119-3374-03	1	Plate-Bagger
3	119-3478	1	Plate-Spacer
4	32108-5	4	Screw-FH
5	104-7201	4	Nut-Hex Flg
6	117344	1	Handle ASM
7	3269-31	7	Rivet-Pop
8	322-5	1	Screw-HH
9	3256-3	1	Washer-Flat
10	82-5690	1	Retainer-Duct
11	114-9015	1	Nut-Impeller
12	110-6691	1	Decal-Danger

Notes:

Notes:

Notes:



Count on it.