

Features

- For use with a handshower and hose (sold separately).
- Coordinates with Awaken showerheads, handshowers and showering accessories.
- Easy installation using slip fit connection.
- Includes check valve.

Material

- Metal construction.
- KOHLER finishes resist corrosion and tarnishing.

Installation

- Wall-mount



For complete listing of available colors, go to kohler.com.

Codes/Standards

ASME A112.18.1/CSA B125.1
ASSE 1014

KOHLER® Faucet Lifetime Limited Warranty

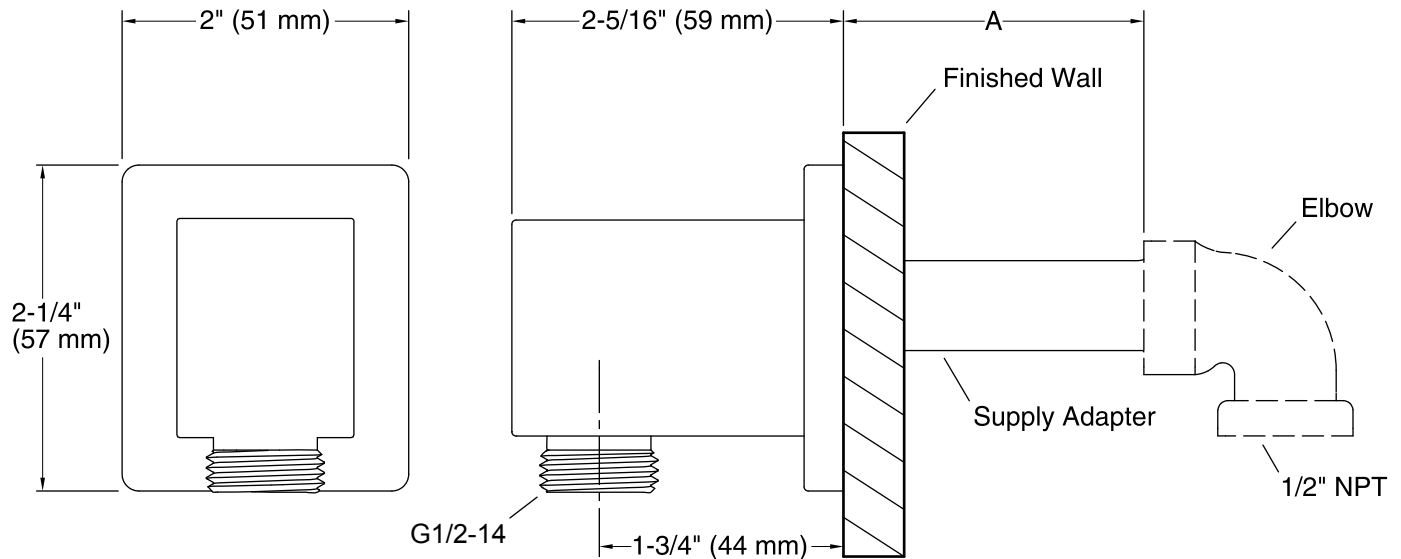
See website for detailed warranty information.

Product Specification

Supply elbow shall be 2-5/16" (59 mm) in length, 2" (51 mm) in width, and 2-1/4" (57 mm) in height. Supply elbow shall be of metal construction. Supply elbow shall include check valve. Supply elbow shall be for wall-mount installation. Supply elbow shall be KOHLER Model K-98351.

Supply Adapter	A
1218069 (included)	1-13/16" – 2-5/16" (46 mm – 59 mm)
1218070*	2-5/16" – 2-13/16" (59 mm – 71 mm)
1218071*	2-13/16" – 3-5/16" (71 mm – 84 mm)
1229031*	0 – 1/2" (0 – 13 mm)

*Sold Separately



Installation Notes

Install this product according to the installation guide.

IMPORTANT! Verify and ensure the "A" dimension (from the supply elbow to the finished wall surface).