

NEVER LEAVE THE HEATER UNATTENDED WHILE BURNING!

If you have questions or comments, contact us.

Pour toute question ou tout commentaire, nous contacter.

Llámenos si tiene alguna pregunta o comentario.

855-805-5745 • www.dewalt.com

**INSTRUCTION MANUAL
GUIDE DE'UTILISATION
MANUAL DE INSTRUCCIONES**

DEWALT®

Cordless Forced Air Propane Heater DXH70CFAV
Chauffage électrique à air forcé DXH70CFAV
Calentador eléctrico de aire forzado DXH70CFAV

**SAVE THESE INSTRUCTIONS.
CONSERVEZ CES INSTRUCTIONS
GUARDE ESTAS INSTRUCCIONES**

READ INSTRUCTIONS CAREFULLY: Read and follow all instructions. Place instructions in a safe place for future reference. Do not allow anyone who has not read these instructions to assemble, adjust or operate the heater.

VEUILLEZ LIRE ATTENTIVEMENT LES INSTRUCTIONS : Lisez et observez toutes les instructions. Conservez ces instructions dans un endroit sécuritaire pour vous y référer ultérieurement. Interdisez à quiconque n'ayant pas lu les présentes directives d'assembler, de régler ou de faire fonctionner cette fournaise.

LEA CUIDADOSAMENTE LAS INSTRUCCIONES: Lea y siga todas las instrucciones. Conserve estas instrucciones en un lugar seguro para futura referencia. No permita que nadie que no haya leído estas instrucciones arme, ajuste o use el calentador.

NEVER LEAVE THE HEATER UNATTENDED WHILE BURNING!

Definitions: Safety Guidelines

The definitions below describe the level of severity for each signal word. Please read the manual and pay attention to these symbols.

⚠ DANGER: Indicates an imminently hazardous situation which, if not avoided, **will** result in **death or serious injury**.

⚠ WARNING: Indicates a potentially hazardous situation which, if not avoided, **could** result in **death or serious injury**.

⚠ CAUTION: Indicates a potentially hazardous situation which, if not avoided, **may** result in **minor or moderate injury**.

NOTICE: Indicates a practice not related to personal injury which, if not avoided, **may** result in **property damage**.

⚠ GENERAL HAZARD WARNING:

FAILURE TO COMPLY WITH THE PRECAUTIONS AND INSTRUCTIONS PROVIDED WITH THIS HEATER, CAN RESULT IN DEATH, SERIOUS BODILY INJURY AND PROPERTY LOSS OR DAMAGE FROM HAZARDS OF FIRE EXPLOSION, BURN, ASPHYXIATION, CARBON MONOXIDE POISONING, AND / OR ELECTRICAL SHOCK.

ONLY PERSONS WHO CAN UNDERSTAND AND FOLLOW THE INSTRUCTIONS SHOULD USE OR SERVICE THIS HEATER.

IF YOU NEED ASSISTANCE OR HEATER INFORMATION SUCH AS AN INSTRUCTION MANUAL, LABEL, ETC. CONTACT THE MANUFACTURER.

⚠ WARNING: FUELS USED IN LIQUEFIED PROPANE GAS APPLIANCES, AND THE PRODUCTS OF COMBUSTION OF SUCH FUEL, CAN EXPOSE YOU TO CHEMICALS INCLUDING BENZENE, WHICH IS KNOWN TO THE STATE OF CALIFORNIA TO CAUSE CANCER AND CAUSE BIRTH DEFECTS OR OTHER REPRODUCTIVE HARM, FOR MORE INFORMATION GO TO www.P65Warnings.ca.gov

⚠ FIRE, BURN, INHALATION, AND

EXPLOSION HAZARD. KEEP SOLID COMBUSTIBLES, SUCH AS BUILDING MATERIALS, PAPER OR CARDBOARD, A SAFE DISTANCE AWAY FROM THE HEATER AS RECOMMENDED BY THE INSTRUCTIONS NEVER USE THE HEATER IN SPACES WHICH DO OR MAY CONTAIN VOLATILE OR AIRBORNE COMBUSTIBLES, OR PRODUCTS SUCH AS GASOLINE, SOLVENTS, PAINT THINNER, DUST PARTICLES OR UNKNOWN CHEMICALS.

⚠ WARNING: NOT FOR HOME OR RECREATIONAL USE.

NEVER LEAVE THE HEATER UNATTENDED WHILE BURNING!

THE HEATER IS DESIGNED AND APPROVED FOR USE AS A CONSTRUCTION HEATER IN ACCORDANCE WITH STANDARD ANSI Z83.7-CSA 2.14. CHECK WITH YOUR LOCAL FIRE SAFETY AUTHORITY IF YOU HAVE QUESTIONS ABOUT APPLICATIONS. OTHER STANDARDS GOVERN THE USE OF FUEL GASES AND HEAT PRODUCING PRODUCTS IN SPECIFIC APPLICATIONS. YOUR LOCAL AUTHORITY CAN ADVISE YOU ABOUT THESE.

⚠ WARNING: TO AVOID SERIOUS PERSONAL INJURY DO NOT OPERATE THIS HEATER UNTIL YOU READ AND UNDERSTAND THIS INSTRUCTION MANUAL FOR SAFETY, OPERATION, AND MAINTENANCE INSTRUCTIONS.

⚠ WARNING: Use of this heater in any means not described in this manual may cause fire, electric shock, personal injury and/or property damage.

⚠ CAUTION: This heater is hot when in use. To avoid burns, do not let bare skin touch hot surfaces. Keep combustible materials, such as furniture, pillows, bedding, papers, clothes, and curtains at least 6 feet (1.8 m) from the front of the heater and keep them at least 2 feet (.6 m) away from the sides and rear

⚠ WARNING: Do not insert or allow any foreign objects to enter the unit via the intake or exhaust vents on the unit. Failure to observe this warning may result in electric shock, fire or damage to the unit.

⚠ WARNING: To prevent fire do not block either the air intake or exhaust.

⚠ WARNING: Unit is equipped with internal active electrical components that spark during use. Do not use in areas where fumes from gasoline, paint or other flammable liquids may be present.

⚠ WARNING: RISK OF FIRE OR EXPLOSION

- Do not store or use gasoline or other flammable vapors and liquids in the vicinity of this or any other appliance.
- **WHAT TO DO IF YOU SMELL GAS:**
 - Open windows.
 - DO NOT try to light any appliance.
 - DO NOT operate any electrical switches.
 - DO NOT use any telephone in building. Immediately call the local gas supplier from an outside telephone. Follow the gas supplier's instructions.
 - DO NOT touch any electrical switch; do not use any phone in your building.
 - If you cannot reach your gas supplier, call the Fire Department.

We are pleased that you have selected our product and take this opportunity to assure you that qualified service facilities are available if required. With the cooperation of independent dealers, a nationwide network of authorized servicing dealers is available for your servicing requirements. Should your product require servicing, read the section of the manual entitled "Servicing". Who gets the warranty? The warranty is limited to the consumer who originally purchases the product. What is covered? This limited warranty covers all imperfections in workmanship and material. What is not covered? This limited warranty does not cover damage resulting from accident, misuse or abuse, lack of proper maintenance, affixing of any attachments not provided with the products, or loss of parts. IN NO EVENT SHALL DeWalt® BE LIABLE FOR ANY SPECIAL, INCIDENTAL OR CONSEQUENTIAL DAMAGES NOR FOR ANY DAMAGES RESULTING FROM MISUSE OR MODIFICATION OF THIS PRODUCT.

⚠ WARNING: THIS PRODUCT CAN EXPOSE YOU TO CHEMICALS INCLUDING LEAD AND LEAD COMPOUNDS, WHICH ARE KNOWN TO THE STATE OF CALIFORNIA TO CAUSE CANCER AND BIRTH DEFECTS OR OTHER REPRODUCTIVE HARM. FOR MORE INFORMATION VISIT www.P65Warnings.ca.gov

NEVER LEAVE THE HEATER UNATTENDED WHILE BURNING!

English

Specifications

MODEL:	DXH70CFAV
BURN RATE:	27,000-68,000 BTU/hr
SUPPLY PRESSURE TO REGULATOR:	MAX: 200 psi (1380 kPa) MIN. 20 psi (137.9 kPa)
REGULATOR PRESSURE:	20 psi (137.9 kPa)
MANIFOLD PRESSURE:	20 psi (137.9 kPa)
FUEL RATE:	3.24#/hr (1.47 kg/hr)
FUEL ORIFICE PORT SIZE:	0.94mm
FAN RATING:	135 cfm
ELECTRICAL INPUT:	20 Vdc / .6A or 120 VAC
IGNITION:	Auto Spark/ Manual Gas Valve
PRIMARY FLAME CONTROL:	Thermocouple Operated Gas Valve
HIGH TEMPERATURE CONTROL:	221°F (105°C)

⚠ WARNING: CERTIFIED FOR USE WITH PROPANE ONLY

⚠ WARNING: CERTIFIED FOR USE WITH DEWALT RECHARGEABLE BATTERY PACKS REFER TO CHART BELOW A LIST OF APPROVED BATTERIES

Approved Battery Packs			
20V MAX*		FLEXVOLT®	
Size	Run Time**	Size	Run Time**
1.3Ah	2 hours	6.0Ah	10 hours
1.5Ah	2.5 hours	9.0Ah	15 hours
2.0Ah	3.2 hours	All run times are approximate. Actual run times may vary. State of charge, battery temperature and battery age will all affect actual runtime * Maximum initial battery voltage (measured without a workload) is 20 volts. Nominal voltage is 18. ** Calculation assuming 73°F (23°C) ambient temp battery pack	
3.0Ah	5 hours		
4.0Ah	6.5 hours		
5.0Ah	8.3 hours		
6.0Ah	10 hours		

CONTENTS

WARNINGS	2
HEATER SPECIFICATIONS	4
OPERATING PRECAUTIONS	5
SAFETY PRECAUTIONS	5
PREPARING FOR OPERATION	7
SERVICING	8
PROPANE TANK SIZING	8
WIRING SCHEMATIC	9
ELECTRICAL PRECAUTIONS	10
CHARGING PRECAUTIONS	10
BATTERY PRECAUTIONS	11
CHARGER OPERATION	13
WARRANTY BATTERY /CHARGERS	15
EXPLODED VIEW	16
PARTS LIST	17

MINIMUM CLEARANCE: From normal combustible material

Clearance

From Floor.....	0 ft (0 M)
From outlet.....	6 ft (1.8 M)
From Sides.....	4 ft (1.2 M)
From top.....	6 ft (1.8 M)

Locate 10' (2.4 M) from canvas or plastic tarpaulins or similar coverings and secure them to prevent flapping or movement due to wind action.

NEVER LEAVE THE HEATER UNATTENDED WHILE BURNING!

OPERATING PRECAUTIONS

WARNING

This is a propane, direct-fired, forced air heater. It's intended use is primarily temporary heating of buildings under construction, alteration or repair. Propane is heavier than air. If propane leaks from a connection or fitting, it sinks to the floor, collecting there with the surrounding air, forming a potentially explosive mixture. Read enclosed Odor Fade and Propane Sheet for additional information about detecting propane leaks. Leak check new connections or reconnection's with a soap and water solution.

Direct-Fired means that all of the combustion products enter the heated space. Even though this heater operates very close to 100 percent combustion efficiency, it still produces small amounts of carbon monoxide. Carbon monoxide (called CO) is toxic. CO can build up in a heated space and failure to provide adequate ventilation could result in death. The symptoms of inadequate ventilation are:

- Headache • Dizziness • Burning eyes and nose • Nausea
- Dry mouth or sore throat

Be sure to follow advice about ventilation in these operating instructions.

Forced Air means that a blower or fan pushes the air through the heater. Proper combustion depends upon this air flow; therefore, the heater must not be revised, modified or operated with parts removed or missing. Likewise, safety systems must not be circumvented or modified in order to operate the heater. When the heater is to be operated in the presence of other people the user is responsible for properly acquainting those present with the safety precautions and instructions, and of the hazards involved.

SAFETY PRECAUTIONS

WARNING

1. Check the heater thoroughly for damage. **DO NOT** operate a damaged heater.
2. **DO NOT** modify the heater or operate a heater which has been modified from its original condition.
3. Use only propane gas.
4. Use only **WITHDRAWAL** propane supply. If there is any question about vapor withdrawal, ask your propane dealer.

5. Mount the propane cylinders vertically (shutoff valve up). Secure them from falling or being knocked over and protect them from damage.
6. Locate propane containers at least (USA) 7 ft. (2.13m), (Canada) 10 ft. (3m) from the heater and do not direct exhaust toward containers within 20' (6m).
7. **IMPORTANT** Use only the hose and regulator assembly provided with the heater. Match the color stripe on the hang tag attached to the hose assembly with the color on the label located near the propane inlet fitting on the heater. Inspect hose assembly before each use of the heater. If there is excessive abrasion or wear, or hose is cut, replace with hose assembly listed on parts list before using heater.
8. For indoor use only. Adequate ventilation must be provided. Provide minimum openings of 1/2 sq. ft. (.046 m²) near the floor and 1/2 sq. ft. (.046 m²) near the ceiling (also see "Operating Precautions").
9. If at any time gas odor is detected, **IMMEDIATELY DISCONTINUE** operation until the source of gas has been located and corrected.
10. Install the heater such that it is not directly exposed to water, spray, rain and/or dripping water.
11. Maintain minimum clearance from normal combustible material (like paper) as follows: floor-0 ft. (0 m); outlet-6 ft. (1.83m); sides-4 ft. (.61m); top-6 ft. (1.83m). Locate 10 ft. (3m) from canvas or plastic tarpaulins or similar coverings and secure them to prevent flapping or movement due to wind action.
12. Due to the high surface and exhaust temperatures, adults and children must observe clearances to avoid burns or clothing ignition.
13. Operate only on a stable, level surface.
14. Do not use with duct work. Do not restrict inlet or outlet.
15. Do not move, handle or service while hot or burning.
16. Use only in accordance with local codes or, in the absence of local codes, with the Standard for the Storage and Handling of Liquefied Petroleum Gases ANSI/NFPA 58 and CSA B149.1, Natural Gas and Propane Installation code.

NEVER LEAVE THE HEATER UNATTENDED WHILE BURNING!

ODOR FADE WARNING

DANGER

Asphyxiation Hazard

- Do not use this heater for heating human living quarters.
- Do not use in unventilated areas.
- The flow of combustion and air must not be obstructed.
- Proper ventilation air must be provided to support the combustion air requirements of the heater being used.
- Refer to the specification section of the heater's manual, heater data plate, or contact the factory to determine combustion air ventilation requirements of the heater.
- Lack of proper ventilation air will lead to improper combustion.
- Improper combustion can lead to carbon monoxide poisoning leading to serious injury or death. Symptoms of carbon monoxide poisoning can include headaches dizziness and difficulty in breathing.

FUEL GAS ODOR

LP gas and natural gas have man-made odorant added specifically for detection of fuel gas leaks. If a gas leak occurs you should be able to smell the fuel gas. Since Propane (LP) is heavier than air you should smell for the gas odor low to the floor. ANY GAS ODOR IS YOUR SIGNAL TO GO INTO IMMEDIATE ACTION!

- Do not take any action that could ignite the fuel gas. Do not operate any electrical switches. Do not remove the battery from the appliance. Do not pull any power supply or extension cords. Do not light matches or any other source of flame. Do not use your telephone.
- Get everyone out of the building and away from the area immediately
- Close all propane (LP) gas tank or cylinder fuel supply valves, or the main fuel supply valve located at the meter if you use natural gas
- Propane (LP) gas is heavier than air and may settle in low areas. When you have reason to suspect a propane leak, keep out of all low areas.
- Use your neighbor's phone and call your fuel gas supplier and your fire department. Do not re-enter the building or area.
- Stay out of the building and away from the area until declared safe by the firefighters and your fuel gas supplier.
- FINALLY, let the fuel gas service person and the firefighters check for escaped gas. Have them air out the building and area before you return.

Properly trained service people must repair any leaks, check for further leakages, and then relight the appliance for you.

ODOR FADING-NO ODOR DETECTED

- Some people cannot smell well. Some people cannot smell the odor of the man-made chemical added to propane (LP) or natural gas. You must determine if you can smell the odorant in these fuel gases.
- Learn to recognize the odor of propane (LP) gas and natural gas. Local propane (LP) gas dealers will be more than happy to give you a scratch and sniff pamphlet. Use it to become familiar with the fuel gas odor.
- Smoking can decrease your ability to smell. Being around an odor for a period of time can affect your sensitivity to that particular odor. Odors present in animal confinement buildings can mask fuel gas odor.
- The odorant in propane (LP) gas and natural gas is colorless and the intensity of its odor can fade under some circumstances.
- If there is an underground leak, the movement of gas through the soil can filter the odorant.
- Propane (LP) gas odor may differ in intensity at different levels. Since Propane (LP) gas is heavier than air, there may be more odor at lower levels.
- Always be sensitive to the slightest gas odor. If you continue to detect any gas odor, no matter how small, treat it as a serious leak. Immediately go into action as discussed previously.

ATTENTION-CRITICAL POINTS TO REMEMBER

- Propane (LP) gas has a distinctive odor. Learn to recognize these odors. (Reference Fuel Gas Odor and Odor Fading sections above).
- Even if you are not properly trained in the service and repair of the heater, ALWAYS be consciously aware of the odors of propane (LP) gas and natural gas.
- If you have not been properly trained in repair and service of propane (LP) gas then do not attempt to light heater, perform service or repairs, or make any adjustments to the heater on the propane (LP) gas fuel system.
- A periodic sniff test around the heater or at the heater's joints; i.e. hose, connections, etc., is a good safety practice under any conditions. If you smell even a small amount of gas, CONTACT YOUR FUEL GAS SUPPLIER IMMEDIATELY. DO NOT WAIT!

NEVER LEAVE THE HEATER UNATTENDED WHILE BURNING!

PREPARING FOR OPERATION

1. Check the heater for possible shipping damage. If any is found, immediately notify the factory.
2. Charge (Refer to Battery Charging Procedure Section) and insert battery in the front of the heater or connect heater to 120 VAC on the back of heater using an extension cord.
3. Follow all of the "Precautions".
4. Connect the POL fitting of hose and regulator assembly to the propane cylinder by rotating the POL nut counterclockwise into the propane cylinder's valve outlet and securely tighten with a wrench.
5. Connect the hose to the heater by rotating the hose fitting clockwise.
6. Securely tighten all gas connections.
7. Slowly open the cylinder's gas valve and check all gas connections with a soap and water solution, looking for bubbles that would indicate a gas leak. Note: if tank valve is not opened slowly, the excess flow check valve on the propane tank may stop gas flow. DO NOT USE A FLAME
8. Close propane cylinder gas valve.

START:

1. The DXH70CFAV heater is equipped with a blower fan switch, located on the control panel of the heater. Press the on/off switch to start the blower fan. Once the fan has been turned on, the green LED light on the control panel will turn on solid, indicating that the fan is operating. The blower fan must be turned on before the gas/igniter valve is pressed to light the heater. **NOTICE: The fuel valve (black button) has a safety lockout and cannot be depressed until 3 seconds after the fan has been started.**
2. Open propane supply valve on propane tank slowly. Note: If not opened slowly, excess-flow check valve on propane tank will stop gas flow. If this happens, close propane supply valve and open again slowly. Wait 15 seconds before Step 3.
3. After the blower fan has been started, SLOWLY depress the black gas/ igniter valve button located on the control panel to ignite the heater. If the heater fails to light, release the black button and repeat this step. Keep the valve depressed for 30-60 seconds, after burner lights, then release and the heater will continue to operate. If the burner shuts off, wait 20 seconds and repeat these steps.

NOTICE: This heater is equipped with a safety solenoid lockout that prevents the gas valve being depressed until the heater is turned on and the fan is operating. This system allows 15 seconds for ignition attempts. After 15 seconds the heater must be reset for additional attempts. To reset, press the on/off switch.

STOP

1. Press the on/off switch to turn off the heater.
2. Turn off the gas supply at the cylinder when heater is not in use.

LOW BATTERY VOLTAGE LOCKOUT

This heater is equipped with a low battery voltage lockout that prevents operation if the battery voltage is too low.

FAN OPERATION MONITORING SYSTEM

This unit is equipped with a fan monitoring system. This system ensures that the fan/blower is operating properly. If the LED indicator light is flashing an error code of 2-flashes. This is an indication that the fan is not operating properly and service or adjustment is required. This can happen when

- Fan inlet blockage or contamination (drywall dust etc.)
- Fan locked rotor (something stopping the fan from rotating)
- Minimum RPM detected
- Failed fan component
- High winds or drafts

MAINTENANCE AND STORAGE

1. The heater should be inspected before each use, and at least annually by a qualified person.
2. Before each use, check the soft "O" ring seat at the bull-nose of the POL fitting. If the "O" ring is cut, scuffed, or otherwise damaged, replace it with part number F273786.
3. Turn off the gas at the LP-gas supply cylinder(s) when the heater is not in use.
4. When the heater is to be stored indoors, the connection between the LP-gas supply cylinder(s) and the heater must be disconnected and the cylinder(s) removed from the heater and stored out of doors and in accordance with Chapter 5 of the standard for Storage and Handling of Liquefied Petroleum Gases ANSI/NFPA 58 and CSA B149.1, Natural Gas and Propane Installation Code.

NEVER LEAVE THE HEATER UNATTENDED WHILE BURNING!

SERVICING

A hazardous condition may result if a heater is used that has been modified or is not functioning properly. When the heater is working properly:

- The flame is contained within the heater
- The flame is essentially blue with perhaps some yellow tipping.
- There is no strong disagreeable odor, eye burning or other physical discomfort.
- There is no smoke or soot internal or external to the heater
- There are no unplanned or unexplained shut downs of the heater

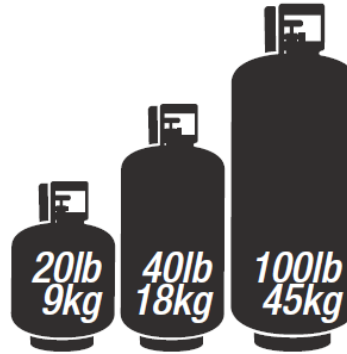
The parts lists and exploded view show the heater as it was constructed. Do not use a heater which is different from that shown. In this regard, use only the hose, regulator and cylinder connection fitting (called a POL fitting) supplied with the heater. **IMPORTANT** Match the color stripe on the hang tag attached to the hose assembly with the color on the label located near the propane inlet fitting on the heater. Do not use alternates. If there is any uncertainty about the regulator, have it checked or replaced with the one noted in the parts list in this manual. A heater which is not working right must be repaired, but only by a trained, experienced service person. In-warranty products will be repaired with no charge for either parts or labor. Please include a brief statement indicating date, place of purchase, the nature of the problem and proof of purchase. Out-of-warranty products will be repaired with a charge for parts, labor and shipping. When service or repair is required, it is recommended that you take your heater to an authorized service Center.

When servicing or replacing batteries, please note:

- Do not service the heater with battery connected
- Do not operate a damaged heater.
- Use only DEWalt original battery type.
- Do not dispose of the batteries in a fire. The cell may explode. See "Battery Recycling Information" below.
- Do not open or mutilate the batteries. Released electrolyte is corrosive and may cause damage to the eyes or skin. It may be toxic if swallowed.
- Exercise care in handling batteries in order not to short the battery with conducting materials such as rings, bracelets and/ or keys. The battery and/ or conductor may overheat and cause burns

SIZE AND CAPACITY OF PROPANE CYLINDERS REQUIRED

The following table shows the approximate run times of the various cylinder sizes suitable for use with these heaters. All heaters should have: Full cylinders, good air circulation and no frost on cylinders. Actual run times will vary depending on temperatures and variations in the tanks, the run times you experience may be longer or shorter. Run times stated below are for the estimation of consumption and run time capabilities from the LP supply tank. Heater operation times will depend on the DEWalt battery being used. For more information contact customer support at the number listed in this manual.



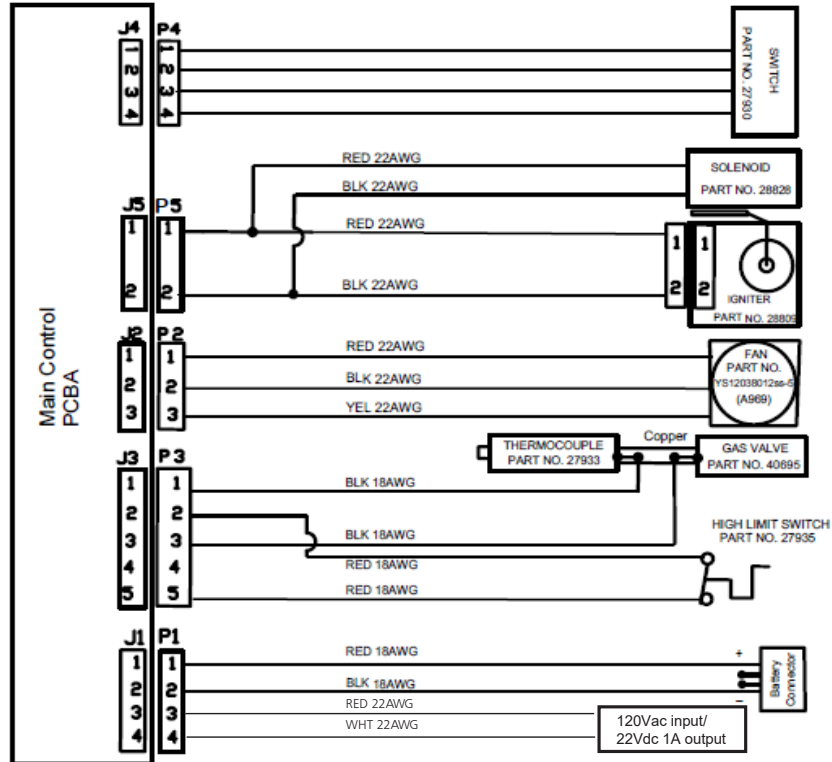
Run time (High and Low)			
BTU/HR	20lb (9kg)	40lb (18kg)	100lb (45kg)
68,000	6.17 Hours	12.34 Hours	30.84 Hours
27,000	14.39 Hours	28.79 Hours	71.97 Hours

BTU PER HOUR REQUIRED				
Cubic feet of space to be heated	Temperature Rise Required			
	20	30	40	50
5,000	14,000	20,000	27,999	34,000
7,000	19,000	28,000	38,000	47,000
10,000	27,000	40,000	54,000	67,000
15,000	40,000	60,000	80,000	100,000

NEVER LEAVE THE HEATER UNATTENDED WHILE BURNING!

Wiring Diagram DXH70CFAV

If any of the original wire supplied with appliance must be replaced, it must be replaced with type 18AWG/ 600V/105C wire or its equivalent.



English

NEVER LEAVE THE HEATER UNATTENDED WHILE BURNING!

ELECTRICAL PRECAUTIONS

DOUBLE INSULATION

Double insulated products do not need to be grounded. Three-wire grounded power cord is not required for safe operation. All exposed metal parts are isolated from the internal metal motor and chassis.

⚠ WARNING: The double insulated system is intended to protect the user from shock resulting from a break in the product's internal wiring. Observe all normal safety precautions to avoid electrical shock.

NOTE: Servicing of a product with double insulation requires extreme care and knowledge of the system and should be performed only by a qualified service technician. For service, we suggest you return the product to your nearest authorized service center for repair. Always use original factory replacement parts when servicing.

ELECTRICAL CONNECTION

This product should be connected to a power supply that is 120 volts, AC only (normal household current), 60 Hz. Do not operate this product on direct current (DC) through the power cord. A substantial voltage drop will cause a loss of power and the motor will overheat. If the product does not operate when plugged into an outlet, double-check the power supply.

EXTENSION CORDS

When using a product at a considerable distance from a power source, be sure to use an extension cord that has the capacity to handle the current the product will draw. An undersized cord will cause a drop in line voltage, resulting in overheating and loss of power. Use the chart to determine the minimum wire size required in an extension cord. Only round jacketed cords listed by Underwriter's Laboratories (UL) should be used.

When using this product outdoors, use an extension cord that is designed for outside use. This type of cord is designated with "WA" or "W" on the cord's jacket.

Before using any extension cord, inspect it for loose or exposed wires and cuts or worn insulation.

**Ampere rating (on product data plate)

Amperes (A)	0-2.0	2.1-3.4	3.5-5.0	5.1-7.0	7.1-12.0	12.1-16.0
Cord Length	Size Wire: American Wire Gauge (AWG)					
25 ft	16	16	16	16	14	14
50 ft	16	16	16	14	14	12
100 ft	16	16	14	12	10	-

** Used on 12 gauge - 20 amp circuit

⚠ WARNING: Keep the extension cord clear of the working area. Position the cord so that it will not get caught on lumber, tools, or other obstructions while you are working with this product. Failure to do so can result in serious personal injury.

⚠ WARNING: Check extension cords before each use. If damaged replace immediately. Never use a product with a damaged cord since touching the damaged area could cause electrical shock resulting in serious injury.

⚠ WARNING: To reduce the risk of electrical shock, use only with an extension cord intended for outdoor use, such as an extension cord of cord type SW-A, SOW-A, STW-A, STOW-A, SJW-A, SJOW-A, SJTW-A, or SJTOW-A.

NEVER LEAVE THE HEATER UNATTENDED WHILE BURNING!

IMPORTANT SAFETY INSTRUCTIONS FOR ALL BATTERY CHARGERS

SAVE THESE INSTRUCTIONS: This manual contains important safety and operating instructions for battery chargers.

- Before using the charger, read all instructions and cautionary markings on the charger, battery pack and product using the battery pack.

⚠ WARNING: Shock hazard. Do not allow any liquid to get inside the charger. Electric shock may result.

⚠ WARNING: Burn hazard. To reduce the risk of injury, charge only DEWALT rechargeable battery packs.

⚠ CAUTION: Other types of batteries may overheat and burst resulting in personal injury and property damage.

NOTICE: Under certain conditions, with the charger plugged into the power supply, the charger can be shorted by foreign material. Foreign materials of a conductive nature, such as, but not limited to, grinding dust, metal chips, steel wool, aluminum foil or any buildup of metallic particles should be kept away from the charger cavities. Always un-plug the charger from the power supply when there is no battery pack in the cavity. Unplug the charger before attempting to clean it.

⚠ WARNING:

- **DO NOT attempt to charge the battery pack with any chargers other than the ones in this manual.** The charger and battery pack are specifically designed to work together.
- **These chargers are not intended for any uses other than charging DEWALT rechargeable batteries.** Any other uses may result in risk of fire, electric shock or electrocution.
- **Do not expose the charger to rain or snow.**
- **Pull by the plug rather than the cord when disconnecting the charger.** This will reduce the risk of damage to the electric plug and cord.
- **Make sure that the cord is located so that it will not be stepped on, tripped over or otherwise subjected to damage or stress.**
- **Do not use an extension cord unless it is absolutely necessary.** Use of improper extension cord could result in risk of fire, electric shock

or electrocution.

- **When operating a charger outdoors, always provide a dry location and use an extension cord suitable for outdoor use.** Use of a cord suitable for outdoor use reduces the risk of electric shock.
- **An extension cord must have adequate wire size (AWG or American Wire Gauge) for safety.** The smaller the gauge number of the wire, the greater the capacity of the cable, that is, 16 gauge has more capacity than 18 gauge. An undersized cord will cause a drop in line voltage resulting in loss of power and overheating. When using more than one extension to make up the total length, be sure each individual extension contains at least the minimum wire size. The following table shows the correct size to use depending on cord length and nameplate ampere rating. If in doubt, use the next heavier gauge. The lower the gauge number, the heavier the cord.
- **Do not place any object on top of the charger or place the charger on a soft surface that might block the ventilation slots and result in excessive internal heat.** Place the charger in a position away from any heat source. The charger is ventilated through slots in the top and the bottom of the housing.
- **Do not operate the charger with a damaged cord or plug.**
- **Do not operate the charger if it has received a sharp blow, been dropped or otherwise damaged in any way.** Take it to an authorized service center.
- **Do not disassemble the charger; take it to an authorized service center when service or repair is required.** Incorrect reassembly may result in a risk of electric shock, electrocution or fire.
- **Disconnect the charger from the outlet before attempting any cleaning.** This will reduce the risk of electric shock. Removing the battery pack will not reduce this risk.
- **NEVER attempt to connect 2 chargers together.**
- **The charger is designed to operate on standard 120V household electrical power. Do not attempt to use it on any other voltage.** This does not apply to the vehicular charger.

Regulatory Notices

- This Class B digital apparatus complies with Canadian ICES-003.
- This device complies with Part 15 of the FCC Rules and Industry Canada License-exempt RSS standard(s). Operation is subject to the following

NEVER LEAVE THE HEATER UNATTENDED WHILE BURNING!

two conditions:

- 1) This device may not cause harmful interference, and
 - 2) This device must accept any interference received, including interference that may cause undesired operation.
- Changes or modifications not expressly approved by the party responsible for compliance could void the user's authority to operate the equipment. **NOTE:** This equipment has been tested and found to comply with the limits for a Class B digital device, pursuant to Part 15 of the FCC Rules. These limits are designed to provide reasonable protection against harmful interference in a residential installation. This equipment generates, uses and can radiate radio frequency energy and, if not installed and used in accordance with the instructions, may cause harmful interference to radio communications. However, there is no guarantee that interference will not occur in a particular installation. If this equipment does cause harmful interference to radio or television reception, which can be determined by turning the equipment off and on, the user is encouraged to try to correct the interference by one or more of the following measures:
 - Reorient or relocate the receiving antenna.
 - Increase the separation between the equipment and receiver.
 - Connect the equipment into an outlet on a circuit different from that to which the receiver is connected.
 - Consult the dealer or an experienced radio/TV technician for help.

Introduction

The DCB107, DCB115 battery charger (Fig. 1) is designed to charge DeWALT 12–20V Max* lithium ion battery packs. This charger requires no adjustment and is designed to be as easy as possible to operate. Simply place your battery pack into a receptacle of a plugged in charger and it will automatically charge the pack. Consult the chart at the end of this manual for compatibility of chargers and battery packs.


IMPORTANT SAFETY INSTRUCTIONS FOR ALL BATTERY PACKS

When ordering replacement battery packs, be sure to include the catalog number and voltage. Consult the chart at the end of this manual for compatibility of chargers and battery packs.

The battery pack is not fully charged out of the carton. Before using the battery pack and charger, read the safety instructions below and then follow charging procedures outlined.

READ ALL INSTRUCTIONS

WARNING:

- **Do not charge or use the battery pack in explosive atmospheres, such as in the presence of flammable liquids, gases or dust.** Inserting or removing the battery pack from the charger may ignite the dust or fumes.
 - **NEVER force the battery pack into the charger. DO NOT modify the battery pack in any way to fit into a non-compatible charger as battery pack may rupture causing serious personal injury.** Consult the chart at the end of this manual for compatibility of batteries and chargers.
 - Charge the battery packs only in designated DeWALT chargers.
 - **DO NOT** splash or immerse in water or other liquids.
 - **Do not store or use the tool and battery pack in locations where the temperature may reach or exceed 104 °F (40 °C) (such as outside sheds or metal buildings in summer).** For best life store battery packs in a cool, dry location. **NOTE: Do not store the battery pack in a tool with the trigger switch locked on. Never tape the trigger switch in the ON position.**
-  **WARNING:** Fire hazard. Never attempt to open the battery pack for any reason. If the battery pack case is cracked or damaged, do not insert into the charger. Do not crush, drop or damage the battery pack. Do not use a battery pack or charger that has received a sharp blow, been dropped, run over or damaged in any way (e.g., pierced with a nail, hit with a hammer, stepped on). Damaged battery packs should be returned to the service center for recycling.

NEVER LEAVE THE HEATER UNATTENDED WHILE BURNING!

⚠ WARNING: Fire hazard. Do not store or carry the battery pack so that metal objects can contact exposed battery terminals. For example, do not place the battery pack in aprons, pockets, tool boxes, product kit boxes, drawers, etc., with loose nails, screws, keys, etc. **Transporting batteries can possibly cause fires if the battery terminals inadvertently come in contact with conductive materials such as keys, coins, hand tools and the like.** The US Department of Transportation Hazardous Material Regulations (HMR) actually prohibit transporting batteries in commerce or on airplanes (e.g., packed in suitcases and carry-on luggage) UNLESS they are properly protected from short circuits. So when transporting individual battery packs, make sure that the battery terminals are protected and well insulated from materials that could contact them and cause a short circuit.

SPECIFIC SAFETY INSTRUCTIONS FOR LITHIUM ION (Li-Ion)

- **Do not incinerate the battery pack even if it is severely damaged or is completely worn out.** The battery pack can explode in a fire. Toxic fumes and materials are created when lithium ion battery packs are burned.
- **If battery contents come into contact with the skin, immediately wash area with mild soap and water.** If battery liquid gets into the eye, rinse water over the open eye for 15 minutes or until irritation ceases. If medical attention is needed, the battery electrolyte is composed of a mixture of liquid organic carbonates and lithium salts.
- **Contents of opened battery cells may cause respiratory irritation.** Provide fresh air. If symptoms persist, seek medical attention.

⚠ WARNING: Burn hazard. Battery liquid may be flammable if exposed to spark or flame.

The RBRC® Seal

The RBRC® (Rechargeable Battery Recycling Corporation) Seal on the nickel cadmium, nickel metal hydride or lithium-ion batteries (or battery packs) indicates that the costs to recycle these batteries (or battery packs) at the end of their useful life have already been paid by DeWALT. In some areas, it is illegal to place spent nickel cadmium, nickel metal hydride or lithium-ion batteries in the trash or municipal solid waste stream and the Call 2 Recycle® program provides an environmentally conscious alternative.



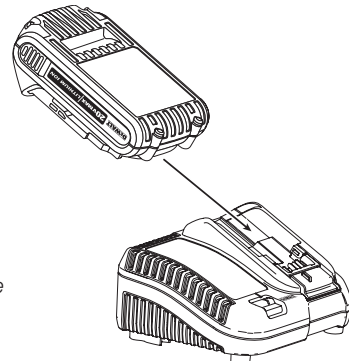
Call 2 Recycle, Inc., in cooperation with DeWALT and other battery users, has established the program in the United States and Canada to facilitate the collection of spent nickel cadmium, nickel metal hydride or lithium-ion batteries. Help protect our environment and conserve natural resources by returning the spent nickel cadmium, nickel metal hydride or lithium-ion batteries to an authorized DeWALT service center or to your local retailer for recycling. You may also contact your local recycling center for information on where to drop off the spent battery. RBRC® is a registered trademark of Call 2 Recycle, Inc.

Charger

Be sure to read all safety instructions before using your charger. Consult the chart at the end of this manual for compatibility of chargers and battery packs.

Charging a Battery (Fig. 1)

1. Plug the charger into an FIG. 1 appropriate outlet before inserting battery pack.
2. Insert the battery pack into the charger, making sure the battery pack is fully seated in the charger. The red (charging) light will blink continuously indicating that the charging process has started.
3. The completion of charge will be indicated by the red light remaining ON continuously. The battery pack is fully charged and may be used at this time or left in the charger.



NOTE: To ensure maximum performance and life of lithium-ion battery packs, charge the battery pack fully before first use.

NEVER LEAVE THE HEATER UNATTENDED WHILE BURNING!

Charger Operation

Refer to the indicators below for the charge status of the battery pack.

* The red light will continue to blink, but a yellow indicator light will be illuminated during this operation. Once the battery pack has reached an appropriate temperature, the yellow light will turn off and the charger will resume the charging procedure.

The charger will not charge a faulty battery pack. The charger will indicate faulty battery pack by refusing to light.

CHARGE INDICATORS			
	CHARGING	--- ---	
	FULLY CHARGED	—————	
	HOT/COLD PACK DELAY	--- ---	

NOTE: This could also mean a problem with a charger.

If the charger indicates a problem, take the charger and battery pack to be tested at an authorized service center.

HOT/COLD PACK DELAY

When the charger detects a battery pack that is too hot or too cold, it automatically starts a Hot/Cold Pack Delay, suspending charging until the battery pack has reached an appropriate temperature. The charger then automatically switches to the pack charging mode. This feature ensures maximum battery pack life.

A cold battery pack will charge at a slower rate than a warm battery pack. The battery pack will charge at that slower rate throughout the entire charging cycle and will not return to maximum charge rate even if the battery pack warms.

LITHIUM-ION BATTERY PACKS ONLY

Li-Ion tools are designed with an Electronic Protection System that will protect the battery pack against overloading, overheating or deep discharge.

The tool will automatically turn off if the Electronic Protection System engages. If this occurs, place the lithium-ion battery pack on the charger until it is fully charged.

Important Charging Notes

1. Longest life and best performance can be obtained if the battery pack is charged when the air temperature is between 65 °F and 75 °F (18° – 24

°C). DO NOT charge the battery pack in an air temperature below +40 °F (+4.5 °C), or above +104 °F (+40 °C). This is important and will prevent serious damage to the battery pack.

2. The charger and battery pack may become warm to the touch while charging. This is a normal condition, and does not indicate a problem. To facilitate the cooling of the battery pack after use, avoid placing the charger or battery pack in a warm environment such as in a metal shed or an uninsulated trailer.
3. If the battery pack does not charge properly:
 - Check operation of the receptacle by plugging in a lamp or other appliance;
 - Check to see if the receptacle is connected to a light switch which turns the power off when you turn out the lights;
 - Move the charger and battery pack to a location where the surrounding air temperature is approximately 65 °F – 75 °F (18° – 24 °C);
 - If charging problems persist, take the tool, battery pack and charger to your local service center.
4. The battery pack should be recharged when it fails to produce sufficient power on jobs which were easily done previously. DO NOT CONTINUE to use it under these conditions. Follow the charging procedure. You may also charge a partially used pack whenever you desire with no adverse effect on the battery pack.
5. Foreign materials of a conductive nature such as, but not limited to, grinding dust, metal chips, steel wool, aluminum foil, or any buildup of metallic particles should be kept away from charger cavities. Always unplug the charger from the power supply when there is no battery pack in the cavity. Unplug the charger before attempting to clean it.
6. Do not freeze or immerse the charger in water or any other liquid.

⚠ WARNING: Shock hazard. Don't allow any liquid to get inside the charger. Electric shock may result.

⚠ WARNING: Burn hazard. Do not submerge the battery pack in any liquid or allow any liquid to enter the battery pack. Never attempt to open the battery pack for any reason. If the plastic housing of the battery pack breaks or cracks, return it to a service center for recycling.

Wall Mounting
These chargers are designed to be wall mountable or to sit upright on a table or work surface. If wall mounting, locate the charger within reach of an

NEVER LEAVE THE HEATER UNATTENDED WHILE BURNING!

electrical outlet, and away from a corner or other obstructions which may impede air flow. Use the back of the charger as a template for the location of the mounting screws on the wall. Mount the charger securely using drywall screws (purchased separately) at least 1" (25.4 mm) long, with a screw head diameter of 0.28–0.35" (7–9 mm), screwed into wood to an optimal depth leaving approximately 7/32" (5.5 mm) of the screw exposed. Align the slots on the back of the charger with the exposed screws and fully engage them in the slots.

Charger Cleaning Instructions

⚠WARNING: Shock hazard. Disconnect the charger from the AC outlet before cleaning. Dirt and grease may be removed from the exterior of the charger using a cloth or soft non-metallic brush. Do not use water or any cleaning solutions.

Storage Recommendations

1. The best storage place is one that is cool and dry, away from direct sunlight and excess heat or cold.
2. For long storage, it is recommended to store a fully charged battery pack in a cool dry place out of the charger for optimal results.

NOTE: Battery packs should not be stored completely depleted of charge. The battery pack will need to be recharged before use.

SAVE THESE INSTRUCTIONS FOR FUTURE USE

Repairs

The charger and battery pack are not serviceable. There are no serviceable parts inside the charger or battery pack.

READ ALL OF THE INSTRUCTIONS IN THE BATTERY CHARGER SECTION OF THIS MANUAL BEFORE ATTEMPTING TO CHARGE THE BATTERY PACK FOR YOUR TOOL.

If you have any questions, call 1-800-4-DeWALT (1-800-433-9258).

Register Online

Thank you for your purchase. Register your product now for:

- **WARRANTY SERVICE:** Registering your product will help you obtain more efficient warranty service in case there is a problem with your product.
- **CONFIRMATION OF OWNERSHIP:** In case of an insurance loss, such as fire, flood or theft, your registration of ownership will serve as your proof of purchase.
- **FOR YOUR SAFETY:** Registering your product will allow us to contact

you in the unlikely event a safety notification is required under the Federal Consumer Safety Act. Register Online at www.dewalt.com/register.

Three Year Limited Warranty

DeWALT will repair, without charge, any defects due to faulty materials or workmanship for three years from the date of purchase. This warranty does not cover part failure due to normal wear or tool abuse. For further detail of warranty coverage and warranty repair information, visit www.dewalt.com or call 1-800-4-DeWALT (1-800-433-9258). This warranty does not apply to accessories or damage caused where repairs have been made or attempted by others. This warranty gives you specific legal rights and you may have other rights which vary in certain states or provinces.

In addition to the warranty, DeWALT tools are covered by our:

1 YEAR FREE SERVICE

DeWALT will maintain the tool and replace worn parts caused by normal use, for free, any time during the first year after purchase.

2 YEARS FREE SERVICE ON DeWALT BATTERY PACKS

DC9071, DC9091, DC9096, DC9182, DC9280, DC9360,
DCB120, DCB127, DCB201, DCB203, DCB203BT, DCB207, DCB361
3 YEARS FREE SERVICE ON DeWALT BATTERY PACKS
DCB200, DCB204, DCB204BT, DCB205, DCB606
DeWALT BATTERY PACKS

Product warranty voided if the battery pack is tampered with in any way. DeWALT is not responsible for any injury caused by tampering and may prosecute warranty fraud to the fullest extent permitted by law.

90 DAY MONEY BACK GUARANTEE

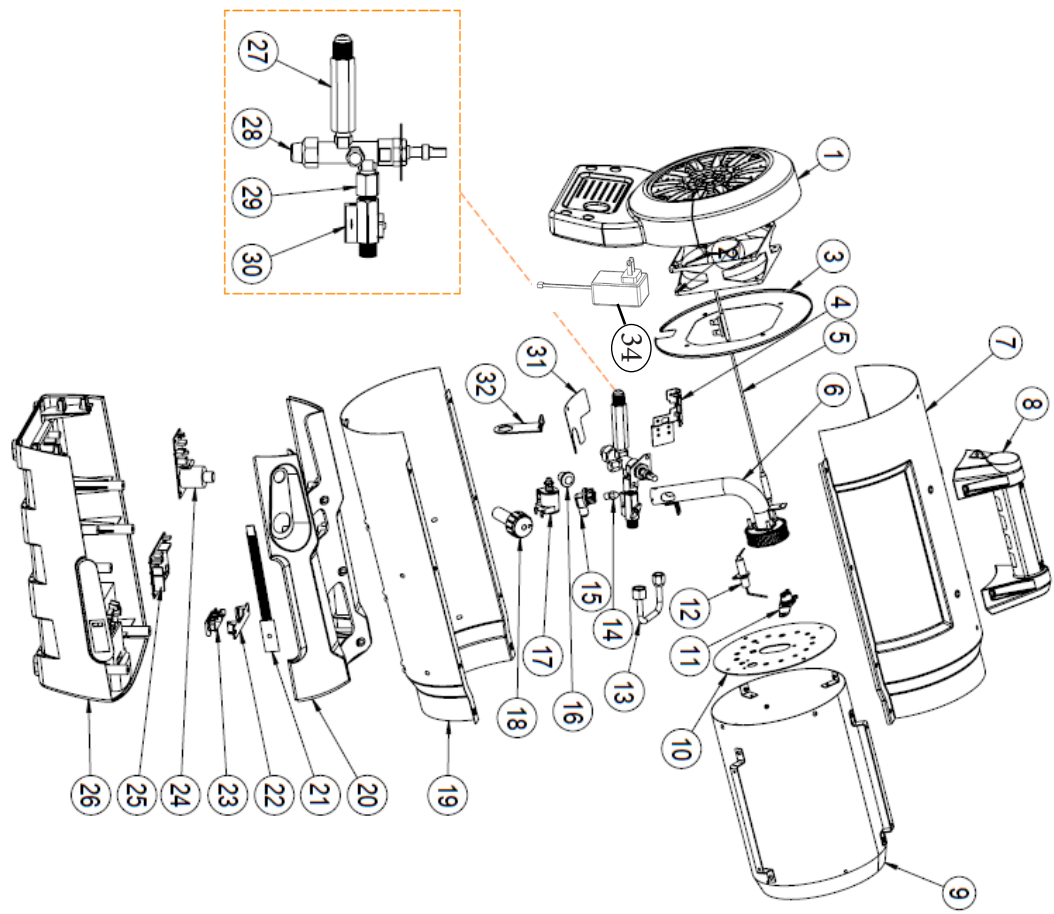
If you are not completely satisfied with the performance of your DeWALT Power Tool, Laser, or Nailer for any reason, you can return it within 90 days from the date of purchase with a receipt for a full refund – no questions asked.

LATIN AMERICA: This warranty does not apply to products sold in Latin America. For products sold in Latin America, see country specific warranty information contained in the packaging, call the local company or see website for warranty information.

FREE WARNING LABEL REPLACEMENT: If your warning labels become illegible or are missing, call 1-800-4-DeWALT (1-800-433-9258) for a free replacement.

NEVER LEAVE THE HEATER UNATTENDED WHILE BURNING!

English



NEVER LEAVE THE HEATER UNATTENDED WHILE BURNING!

#	Description	Part #
1	Rear Plastic Guard	40664
2	Fan Assembly	40684
3	Steel Restraint Plate	40663
4	Valve Bracket	28805
5	Thermocouple Assembly	27933
6	Burner Mesh Assembly	40685
7	Upper Barrel Assembly	40661
8	Handle	40801
9	Radiation Shield	40686
10	Flame Holder	40687
11	High Limit Switch	40688
12	Ignition Electrode	40904
13	Fuel Tube Assembly	40689
14	Burner Orifice	40690
15	Orifice Holder	27450
16	Valve button	40667
17	Lockout Solenoid	28843
18	Rate control knob	40666
19	Lower Barrel Assembly	40662
20	Upper Base	40668
21	On/Off Switch W/LED	27930

#	Description	Part #
22	Retainer clip	40691
23	Battery Connector	40692
24	Ignition Board	28809
25	Control Board	40693
26	Lower Base	40669
27	Fuel Inlet Fitting	40694
28	Main Gas Valve	40695
29	Valve Transition Adapter	40696
30	Variable Valve	27457
31	Wind Cover	40697
32	L Bracket	40698
33	Hose and Regulator assembly	21667-15
34	Power Adapter	40699

NEVER LEAVE THE HEATER UNATTENDED WHILE BURNING!

⚠️WARNING Air Quality Hazard

- Do not use this heater for heating human living quarters.
- Use of direct-fired heaters in the construction environment can result in exposure to levels of CO, CO₂, and NO₂ considered to be hazardous to health and potentially life threatening.
- Do not use in unventilated areas.
- Know the signs of CO and CO₂ poisoning.
 - Headaches, stinging eyes
 - Dizziness, disorientation
 - Difficulty breathing, feels of being suffocated
- Proper ventilation air exchange (OSHA 29 CFR 1926.57) to support combustion and maintain acceptable air quality shall be provided in accordance with OSHA 29 CFR Part 1926.154, ANSI A10.10 Safety Requirements for Temporary and Portable Space Heating Devices and Equipment used in the Construction Industry or the Natural Gas and Propane Installation Codes CSA B149.1.
 - Periodically monitor levels of CO, CO₂ and NO₂ existing at the construction site – at the minimum at the start of the shift and after 4 hours.
 - Provide ventilation air exchange, either natural or mechanical, as required to maintain acceptable indoor air quality.

	USA 8-Hr Time weighted average (OSHA 29 CFR 1926.55 App A)	Canada 8-hr time weighted average WorkSafe BC OHS Guidelines Part 5.1 and Ontario Workplaces Reg 833
CO	50 ppm	25 ppm
CO ₂	5000 ppm	5000 ppm
NO ₂		3 ppm (Reg 833)
	USA – Ceiling Limit (Short Term Exposure Limit = 15 minutes)	Canada STEL (15 minutes Reg 833/1 hour WSBC) WorkSafe BC OHS Guidelines Part 5.1 and Ontario Workplaces Reg 833
CO		100 ppm
CO ₂		15000 ppm (WSBC) 30000 ppm (Reg 833)
NO ₂	5 ppm	1.0 ppm (WorkSafeBC) 5.0 ppm (Reg 833)

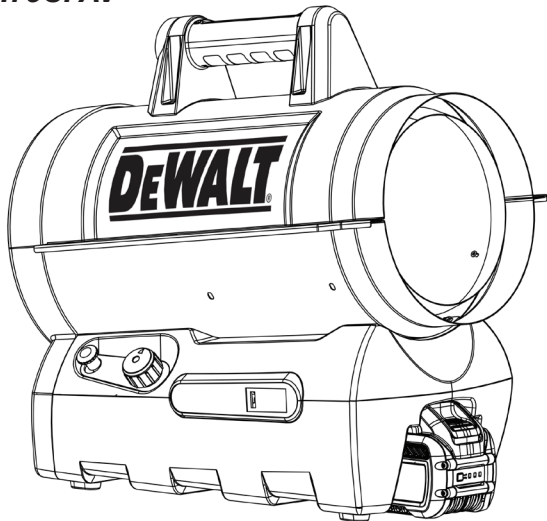
- Ensure that the flow of combustion and ventilation air exchange cannot become obstructed.
- As the building 'tightens up' during the construction phases ventilation may need to be increased.

NEVER LEAVE THE HEATER UNATTENDED WHILE BURNING!

DEWALT®

INSTRUCTION MANUAL

CORDLESS FORCED AIR PROPANE CONSTRUCTION HEATER DXH70CFAV



▲ Warning

USE ONLY MANUFACTURER'S REPLACEMENT PARTS. USE OF ANY OTHER PARTS COULD CAUSE INJURY OR DEATH. REPLACEMENT PARTS ARE ONLY AVAILABLE DIRECT FROM THE FACTORY AND MUST BE INSTALLED BY A QUALIFIED SERVICE AGENCY.

PARTS ORDERING INFORMATION:

PURCHASING: Accessories may be purchased at any DeWalt® local dealer or direct from the factory

FOR INFORMATION REGARDING SERVICE:

Please call Toll-Free 855-805-5745
www.dewalt.com

Our office hours are 8:00 AM – 5:00 PM, EST, Monday through Friday.

Please include the model number, date of purchase, and description of problem in all communication.

LIMITED WARRANTY

DeWalt® warrants its heaters and accessories to be free from defects in material and workmanship for a period of 1 year from date of purchase.

DeWalt® will repair or replace this product free of charge if it has been prove to be defective within the 1 year period, and is returned at customer expense with proof of purchase to DeWalt® within the warranty period.

DEWALT®, GUARANTEED TOUGH® and the yellow and black color scheme are trademarks of the DEWALT Industrial Tool Co., used under license.
©2017 DEWALT. EGI/Enerco Group Inc. Under license from DeWalt Industrial Tool Co

¡NUNCA DEJE EL CALENTADOR DESATENDIDO MIENTRAS SE QUEMA!

Definiciones: Indicaciones de seguridad

Las siguientes definiciones describen el nivel de severidad para cada una de estas señales. Lea el manual y preste atención a estos símbolos.

⚠ PELIGRO: : Indica una situación inminente de peligro, la que si no se evita, **causaría heridas graves o la muerte.**

⚠ ADVERTENCIA: : Indica una situación potencial de peligro, la que si no se evita, **podría causar heridas graves o la muerte.**

⚠ CUIDADO: : Indica una situación potencial de peligro, la que si no se evita, **podría resultar en heridas menores o moderadas.**

AVISO: : Indica una práctica no relacionada con heridas personales que, si no se evita, **podría causar daños materiales.**

⚠ PELIGRO GENERAL ADVERTENCIA:

EL INCUMPLIMIENTO DE LAS PRECAUCIONES E INSTRUCCIONES PROPORCIONADAS CON ESTE CALENTADOR PUEDE RESULTAR EN LA MUERTE, LESIONES CORPORALES GRAVES Y PÉRDIDAS DE PROPIEDAD O DAÑOS DE PELIGROS DE EXPLOSIÓN POR INCENDIO, QUEMADURAS, ASFIXIACIÓN, ENVENENAMIENTO POR MONÓXIDO DE CARBONO Y / O DESCARGA ELÉCTRICA.

ÚNICAMENTE LAS PERSONAS QUE PUEDEN ENTENDER Y SIGUIENDO LAS INSTRUCCIONES DEBE USAR O USAR ESTE CALENTADOR. SI USTED NECESITA INFORMACIÓN DE ASISTENCIA O CALENTADOR COMO MANUAL DE INSTRUCCIONES, ETIQUETA, ETC. PÓNGASE EN CONTACTO CON EL FABRICANTE.

⚠ PELIGRO DE INCENDIO, QUEMADURAS,

INHALACION Y EXPLOSION. MANTENGA COMBUSTIBLES SÓLIDOS, COMO MATERIALES DE CONSTRUCCIÓN, PAPEL O CARTÓN, A UNA DISTANCIA SEGURA DEL CALENTADOR, SEGÚN LO RECOMENDADO POR LAS INSTRUCCIONES NUNCA USE EL CALENTADOR EN ESPACIOS QUE PUEDEN CONTENER COMBUSTIBLES VOLÁTIL O AIRBORNE O PRODUCTOS COMO GASOLINA, SOLVENTES, PINTURA DILUYENTE, PARTÍCULAS DE POLVO O PRODUCTOS QUÍMICOS DESCONOCIDOS.

⚠ ADVERTENCIA: NO PARA USO DOMÉSTICO O RECREATIVO.

⚠ ADVERTENCIA: UNA DE LAS SUSTANCIAS QUE SE DESPRENDE EN LA COMBUSTIÓN AL USAR ESTE EQUIPO ES EL MONÓXIDO DE CARBONO, UN PRODUCTO QUÍMICO QUE DE ACUERDO CON EL ESTADO DE CALIFORNIA PRODUCE CÁNCER Y DEFECTOS DE NACIMIENTO (U OTROS DAÑOS REPRODUCTIVOS). Para obtener más información, visite www.P65Warnings.ca.gov

¡NUNCA DEJE EL CALENTADOR DESATENDIDO MIENTRAS SE QUEMA!

EL CALENTADOR ESTÁ DISEÑADO Y APROBADO PARA SU USO COMO CALENTADOR DE CONSTRUCCIÓN DE ACUERDO CON LA NORMA ANSI Z83.7-CSA 2.14. CONSULTE CON SU AUTORIDAD LOCAL DE SEGURIDAD CONTRA INCENDIOS SI TIENE PREGUNTAS SOBRE APLICACIONES. OTRAS NORMAS REGULAN EL USO DE GASES COMBUSTIBLES Y PRODUCTOS FABRICANTES DE CALOR EN APLICACIONES ESPECÍFICAS. SU AUTORIDAD LOCAL PUEDE CONSEGUIRLE SOBRE ESTOS

⚠ ADVERTENCIA: PARA EVITAR LESIONES PERSONALES GRAVES, NO USE ESTE CALEFACTOR HASTA HABER LEÍDO Y COMPRENDIDO ESTE MANUAL DE INSTRUCCIONES DE SEGURIDAD, OPERACIÓN Y MANTENIMIENTO.

⚠ ADVERTENCIA: Emplear este calefactor de cualquier forma que no sea la descrita en este manual puede provocar incendios, descargas eléctricas, lesiones y/o daños materiales.

⚠ CUIDADO: Este calefactor se calienta al usarlo. Para evitar quemaduras, no toque las superficies calientes con la piel. Mantenga los materiales combustibles como muebles, almohadas, sábanas, papeles, ropa y cortinas a por lo menos 6 pies (1,8 m) del frente del calefactor y al menos a 2 pies (6 m) de los costados y de la parte de atrás.

⚠ ADVERTENCIA: No inserte ni permita que ningún objeto extraño se introduzca en la unidad a través de los conductos de entrada y salida de ventilación. No respetar estas advertencias puede causar descargas eléctricas, incendios, o dañar la unidad.

⚠ ADVERTENCIA: Para evitar incendios, mantenga desbloqueados los conductos de entrada y salida de ventilación.

⚠ ADVERTENCIA: La unidad está equipada con componentes eléctricos internos activos que chisporrotean cuando están funcionando. No la emplee en áreas donde pueda haber vapores de gasolina, pintura ni otros líquidos inflamables.

⚠ ADVERTENCIA: PELIGRO DE INCENDIO O EXPLOSIÓN

- No almacene ni utilice gasolina ni ningún otro vapor ni líquido inflamable cerca de este ni de ningún otro artefacto.
- **QUÉ HACER SI DETECTA OLORES A GAS:**
- Abrir las ventanas.
- NO intentar encender ningún artefacto.
- NO activar ningún interruptor eléctrico.
- NO usar ningún teléfono en el edificio. Llamar inmediatamente a la compañía local de gas desde un teléfono en el exterior. Siga las instrucciones de la compañía de gas.
- NO tocar ningún interruptor eléctrico; no usar ningún teléfono en el edificio.
- Si no se puede comunicar con la compañía de gas, llame a los bomberos.

Nos complace que haya seleccionado nuestro producto y aprovechamos la oportunidad para garantizarle que, de necesitarlas, hay instalaciones de servicios especializados a su disposición. Con la cooperación de agentes independientes, se encuentra disponible en todo el país una red de proveedores de servicios de reparación autorizados para atender sus necesidades de reparación. Si su producto necesitara mantenimiento, lea la sección del manual titulada "Mantenimiento". ¿A quién corresponde la garantía? La garantía se limita al consumidor que realizó la compra original del producto. ¿Qué cubre? Esta garantía limitada cubre todas las deficiencias materiales y de fabricación. ¿Qué no cubre? Esta garantía limitada no cubre daños derivados de accidentes, del uso indebido o abuso del equipo, falta de mantenimiento, incorporación de cualquier aditamento no suministrado con los productos o pérdida de partes. EN NINGÚN CASO DeWalt® SERÁ RESPONSABLE POR NINGÚN DAÑO ESPECIAL, INCIDENTAL O CONSECUENTE, NI POR NINGÚN DAÑO DERIVADO DEL USO INDEBIDO O MODIFICACIÓN DE ESTE PRODUCTO.

⚠ ADVERTENCIA: LOS COMBUSTIBLES USADOS EN EQUIPOS PARA LICUAR GAS PROPANO, ASÍ COMO LOS PRODUCTOS DE SU COMBUSTIÓN, PUEDEN EXPONERTE A SUSTANCIAS QUÍMICAS, ENTRE ELLAS EL BENCENO, QUE EL ESTADO DE CALIFORNIA RECONOCE COMO CAUSA DE CÁNCER Y DE MALFORMACIONES CONGÉNITAS Y OTROS DAÑOS AL SISTEMA REPRODUCTOR. PARA MÁS INFORMACIÓN, www.P65Warnings.ca.gov

¡NUNCA DEJE EL CALENTADOR DESATENDIDO MIENTRAS SE QUEMA!

Especificaciones

MODELO:	DXH70CFAV
ÍNDICE DE COMBUSTIÓN:	27 000-68 000 BTU/hr
PRESIÓN DEL SUMINISTRO AL REGULADOR:	MÁX: 200 psi (1380 Kpa) MÍN. 20 psi
PRESIÓN DEL REGULADOR:	20 psi WC (137,9 kPa)
PRESIÓN DEL MÚLTIPLE:	20 psi WC (137,9 kPa)
ÍNDICE DE COMBUSTIBLE:	3,24 lb/h (1,47 kg/h)
TAMAÑO DEL PUERTO DEL ORIFICIO DE COMBUSTIBLE:	0,94mm
ÍNDICE DE VENTILACIÓN:	135 cfm
ENTRADA ELÉCTRICA:	20VCC / 0,6A oro 120 V CA
IGNICIÓN:	Encendido automático / Válvula de gas manual
CONTROL PRIMARIO DE LA LLAMA:	Válvula de gas operada por termocupla
CONTROL DE ALTA TEMPERATURA:	221°F (105°C)

⚠ ADVERTENCIA: CERTIFICADO PARA GAS PROPANO SOLAMENTE

⚠ ADVERTENCIA: CERTIFICADO PARA USAR CON BATERÍAS RECARGABLES DEWALT SOLAMENTE. CONSULTE EL CUADRO POR UNA LISTA DE BATERÍAS APROBADAS.

BATERÍAS PAROBADAS			
20 V MÁX.*		FLEXVOLT®	
Tamaño	Tiempo de funcionamiento**	Tamaño	Tiempo de funcionamiento**
1,3 Ah	2 horas	6,0Ah	10 hours
1,5 Ah	2,5 horas	9,0Ah	15 hours
2,0 Ah	3,2 horas	Todos los tiempos de operación son aproximados. Los tiempos reales pueden variar. El estado de carga, la temperatura de la batería y la edad de la batería afectarán el tiempo de funcionamiento real. * El voltaje máximo de la batería (medido sin carga) es 20 voltios. El voltaje nominal es 18. ** Cálculo asumiendo una temperatura ambiente de 73 °F (23 °C) para la batería	
3,0 Ah	5 horas		
4,0 Ah	6,5 horas		
5,0 Ah	8,3 horas		
6,0 Ah	10 horas		

ÍNDICE

ADVERTENCIAS	19
ESPECIFICACIONES DEL CALEFACTOR	21
PRECAUCIONES DE UTILIZACIÓN	22
PRECAUCIONES DE SEGURIDAD	22
PREPARATIVOS PARA LA OPERACIÓN	24
REPARACIÓN	25
TAMAÑO DEL TANQUE DE PROPANO	25
ESQUEMA DE CABLEADO	26
PRECAUCIONES DE CARGA	27
PRECAUCIONES DE LA BATERÍA	28
FUNCIONAMIENTO DEL CARGADOR	29
GARANTÍA DE LA BATERÍA/CARGADOR	31
PLANO DE DESPIECE	32
LISTA DE PARTES	33

DISTANCIA MÍNIMA: a material inflamable normal

Distancia

- Desde el piso.: 0 pies (0 m)
- Desde el salida.: 6 pies (1,8 m)
- Desde el costados.: 4 pies (0,87 m)
- Desde el arriba.: 6 pies (1,8 m)

Colóquelo a 10 pies (2,4 m) de lonas o cubiertas de protección plásticas o cubiertas similares y asegúrelas para evitar que ondeen o se muevan por la acción del viento.

¡NUNCA DEJE EL CALENTADOR DESATENDIDO MIENTRAS SE QUEMA!

PRECAUCIONES DE UTILIZACIÓN

ADVERTENCIA

Este calentador es un calentador de propano de caldeo directo a aire forzado. Está diseñado principalmente para el calentamiento de edificios en construcción, remodelación o reparación.

El propano es más pesado que el aire. Cuando el propano escapa de una conexión o acople, desciende hacia el piso y se acumula allí con el aire circundante, formando una mezcla potencialmente explosiva. Lea el documento adjunto "Propano y disipación del olor" para obtener más información sobre la detección de fugas de propano. Realice una comprobación de fugas utilizando una solución de agua jabonosa siempre que establezca una nueva conexión o realice una reconexión.

De caldeo directo quiere decir que todos los productos de la combustión ingresan al espacio calentado. Aunque este calefactor funciona casi a un 100% de eficiencia de combustión, produce pequeñas cantidades de monóxido de carbono. El monóxido de carbono (CO) es tóxico. El CO puede acumularse en el lugar que se calienta y si no se establecen las condiciones de ventilación adecuadas puede resultar mortal. Los síntomas de ventilación inadecuada son:

- Dolor de cabeza • Mareos • Ardor en los ojos y en la nariz • Náuseas
- Boca reseca o dolor de garganta

Asegúrese de seguir las recomendaciones sobre las condiciones de ventilación que se incluyen en estas instrucciones de uso.

Aire forzado significa que un soplador o ventilador impulsa el aire a través del calefactor. La combustión depende de este flujo de aire para realizarse correctamente, por lo tanto, el calefactor no debe modificarse, alterarse o utilizarse si se le han sustraído o le faltan partes. Asimismo, no se deben alterar ni modificar los sistemas de seguridad para utilizar el calefactor. Cuando deba utilizarse el calefactor en presencia de otras personas, el usuario será responsable de poner a los presentes al corriente de las precauciones e instrucciones de seguridad, y de los posibles peligros.

PRECAUCIONES DE SEGURIDAD

ADVERTENCIA

1. Revise cuidadosamente si el calefactor presenta daños. NO opere un calefactor dañado.
2. NO modifique el calefactor ni opere un calefactor cuya configuración original haya sido modificada.
3. Utilice únicamente gas propano.

4. Utilice únicamente suministro de propano con RECUPERACIÓN DE VAPOR. Si tiene alguna pregunta sobre la recuperación de vapor, consulte a su proveedor de propano.
5. Monte los tanques de propano verticalmente (válvula hacia arriba). Asegúrelos para que no caigan ni sean arrojados al piso y protéjalos de daños.
6. Ubique los recipientes de propano a por lo menos 2,13 m (7 pies) del calentador para uso en los EE.UU., a una distancia mínima de 3 m (10 pies) del calentador para el uso en Canadá. No dirija el escape hacia contenedores que estén dentro de 6 m (20 pies).
7. **IMPORTANTE:** Use únicamente la manguera y el regulador que vienen con el calefactor. Haga coincidir la franja de color de la etiqueta colgante que se encuentra en el acople de la manguera con el color de la etiqueta situada cerca del acople de entrada del propano en el calentador. Inspeccione siempre el conjunto de la manguera antes de utilizar el calefactor. Si el conjunto de la manguera estuviera excesivamente estropeado o desgastado, o si presentara cortaduras, reemplácelo por uno de los que se especifica en la lista de partes antes de utilizar el calentador.
8. Sólo para uso en interiores. El área debe estar bien ventilada. Garantice aperturas de 0,046 m² (1/2 pie²) cerca del suelo y de 0,046 m² (1/2 pie²) cerca del techo como mínimo (vea también "Precauciones de utilización").
9. Si detectara olor a gas en algún momento, **INTERRUMPA INMEDIATAMENTE** la utilización del equipo hasta que haya sido detectada y corregida la fuente de gas.
10. Instale el calefactor de forma tal que no esté directamente expuesto al agua, rocío, lluvia ni/o goteo de agua.
11. Mantenga distancias mínimas de materiales combustibles normales (como el papel) cual se indica a continuación: piso-0 m (0 pies); salida-1,83 m (6 pies); laterales-0,61 m (4 pies); arriba-1,83 m (6 pies). Colóquelo a 10 m (3 pies) de lonas o cubiertas de protección plásticas o cubiertas similares y asegúrelas para evitar que ondeen o se muevan por la acción del viento.
12. Dadas las elevadas temperaturas de la superficie y del escape, tanto los adultos como los niños deben mantener la distancia adecuada para evitar quemaduras o la ignición de su ropa.
13. Úselo únicamente sobre una superficie nivelada y estable.
14. No utilizar en redes de conductos. No restrinja las entradas ni las salidas.
15. No mover, manipular ni ajustar mientras esté caliente o encendido.
16. Úselo únicamente de acuerdo con los códigos locales o, en la ausencia de códigos locales, de acuerdo con las normas ANSI/NFPA 58 y CSA B149.1 para almacenamiento y manipulación de gases licuados de petróleo del Norma de instalación de propano y gas natural.

¡NUNCA DEJE EL CALENTADOR DESATENDIDO MIENTRAS SE QUEMA!

ADVERTENCIA DE DISIPACIÓN DEL OLOR

⚠ PELIGRO

Peligro de asfixia

- No utilice este calefactor para calentar locales habitados por personas.
- No lo utilice en áreas sin ventilación.
- No obstruya el flujo de aire necesario para la combustión y la ventilación.
- Deberá suministrar la ventilación adecuada para garantizar que el calefactor disponga del aire que necesita para la combustión.
- Consulte la sección de especificaciones del manual del calefactor, la placa del calefactor, o póngase en contacto con el fabricante para conocer los requerimientos de ventilación del calefactor.
- Si la ventilación no es la adecuada, la combustión no se llevará a cabo correctamente.
- Una combustión inadecuada puede producir envenenamiento con monóxido de carbono con graves daños para la salud, o causar la muerte. Los síntomas de envenenamiento con monóxido de carbono incluyen dolores de cabeza, mareos y dificultad al respirar.

OLOR A GAS COMBUSTIBLE

Los gases LP y el gas natural contienen sustancias aromáticas artificiales añadidas específicamente para facilitar la detección de fugas de gas. Si se produjera una fuga de gas, usted debe poder oler el gas combustible. Dado que el propano (LP) es más pesado que el aire, debe tratar de detectar el olor lo más cerca del piso posible. ¡CUALQUIER OLOR A GAS SERÁ LA SEÑAL PARA TOMAR MEDIDAS INMEDIATAMENTE!

- No haga nada que pudiera inflamar el gas combustible. No active ningún interruptor eléctrico. No remueva la batería del artefacto. No desconecte ninguna toma de corriente ni cables de extensión. No encienda fósforos ni ninguna otra fuente de llamas. No utilice su teléfono.
- Saque a todas las personas del edificio y aléjelos del área inmediatamente.
- Cierre todas las válvulas de suministro de combustible de los cilindros o del tanque del gas propano (LP), o la válvula principal de suministro de combustible que se encuentra en el metro contador si emplea gas natural.
- El gas propano (LP) es más pesado que el aire y puede asentarse en áreas bajas. Cuando sospeche que puede haber una fuga de propano, manténgase alejado de las áreas bajas.
- Utilice el teléfono de su vecino y llame a su proveedor de gas y a su departamento de bomberos. No vuelva a entrar al edificio ni se acerque al área.
- Manténgase alejado del edificio y del área hasta que los bomberos y su proveedor de gas hayan declarado que no hay peligro.
- POR ÚLTIMO, permita que la persona del servicio de gas y los bomberos revisen si hay fugas de gas. Haga que ventilen el edificio y el área antes de su regreso. Un agente de servicios calificado debe reparar cualquier fuga, revisar si hay otras fugas, y volver a encender el artefacto por usted.

DISIPACIÓN DEL OLOR - NO SE DETECTA NINGÚN OLOR

- Algunas personas tienen problemas de olfato. Algunos no pueden detectar el olor del químico artificial añadido al propano (LP) o al gas natural. Usted debe determinar si es capaz de reconocer la sustancia aromática que contienen estos gases combustibles.
- Aprenda a reconocer el olor del gas propano (LP) y del gas natural. Los distribuidores locales de propano (LP) le darán con gusto un panfleto con muestras de olores. Utilícelo para familiarizarse con el olor del gas combustible.
- El hábito de fumar puede disminuir su sentido del olfato. Exponerse a un olor durante un período de tiempo puede afectar su sensibilidad a ese olor específico. Los olores presentes en instalaciones donde se crían animales pueden enmascarar el olor del gas combustible.
- La sustancia aromática presente en el gas propano (LP) y en el gas natural es incolora y la intensidad de su olor puede desvanecerse en algunas circunstancias.
- Si hay una fuga subterránea, el recorrido del gas a través del suelo filtrará esta sustancia aromática.
- El aroma del gas propano (LP) puede variar en intensidad a diferentes niveles. Dado que el gas propano (LP) es más pesado que el aire, el olor puede ser más intenso en los niveles más bajos.
- Manténgase siempre alerta al más mínimo olor a gas. Si continúa percibiendo el olor a gas, no importa cuán poco sea, proceda como si fuera una fuga seria. Tome medidas inmediatamente como se explicó anteriormente.

ATENCIÓN - PUNTOS CRÍTICOS PARA RECORDAR

- El gas propano (LP) tiene un olor característico. Aprenda a reconocer estos olores. (Vea las secciones Olor a gas combustible y Disipación del olor).
- Aunque usted no esté capacitado para dar mantenimiento y reparar el calentador, SIEMPRE esté al tanto de los olores del gas propano (LP) y del gas natural.
- Si no ha recibido capacitación para reparar y dar mantenimiento a equipos que emplean gas propano (LP), no intente encender el calentador, ni darle mantenimiento o repararlo, ni haga ningún ajuste al calentador en el sistema de combustible de gas propano.
- Una prueba olfativa periódica en las proximidades del calentador o en las conexiones del calentador, por ejemplo, en la manguera, los acoples, etc., es una buena medida de seguridad en todo momento. Si huele la más mínima cantidad de gas, PÓNGASE EN CONTACTO CON SU PROVEEDOR DE GAS INMEDIATAMENTE. ¡NO ESPERE!

PREPARATIVOS PARA LA OPERACIÓN

1. Revise el calefactor para determinar si sufrió daños durante el envío. Si encuentra alguno, notifíquelo inmediatamente a la fábrica.
2. Cargue (consulte la sección de procedimiento de carga de la batería) e instale la batería en el orificio debajo de la abertura principal o conecte el calentador a 120 VCA en la parte posterior del calentador usando un cable de extensión.
3. Siga todas las "Precauciones".
4. Conecte el acople POL de la manguera y el conjunto del regulador al tanque de propano rotando la tuerca POL en sentido contra horario dentro de la válvula de salida del tanque de propano y ajústela con una llave.
5. Conecte la manguera al calentador rotando el acople de la manguera en sentido horario.
6. Apriete fuertemente todas las conexiones de gas.
7. Abra lentamente la válvula de gas del tanque y compruebe todas las conexiones de gas con una solución de agua jabonosa. Nota: si no la abre lentamente, la válvula de seguridad por exceso de flujo del tanque de gas puede interrumpir el flujo del gas. NO UTILICE UNA LLAMA.
8. Cierre la válvula de gas del tanque de propano.

ENCENDIDO:

1. El calefactor DXH70CFAV está equipado con un interruptor para el ventilador soplador, situado en el panel de control del calefactor. Presione el interruptor on/off para encender el ventilador soplador. Una vez encendido el ventilador, la luz del LED verde en el panel de control se encenderá y se mantendrá fija para indicar que el ventilador está funcionando. El ventilador soplador debe encenderse antes de presionar la válvula de gas/ignición para encender el calefactor. **AVISO: La válvula de combustible (botón negro) tiene una traba de seguridad que no permite presionarla hasta 3 segundos después de que se haya encendido el ventilador.**
2. Abra lentamente la llave de paso del gas en el tanque. Nota: Si no la abre lentamente, la válvula de seguridad del tanque de gas interrumpirá el flujo del gas. Si sucede esto, cierre la llave de paso y vuélvala a abrir lentamente. Espere 15 segundos antes de proseguir al Paso 3.
3. Una vez encendido el ventilador soplador, presione LENTAMENTE el botón negro de la válvula de gas/ignición situado en el panel de control para encender la llama del calentador. Si el calefactor no se enciende, suelte el botón naranja y repita este paso. Mantenga la válvula presionada de 30 a 60 segundos después de haber encendido el quemador, luego libérela y el calentador continuará funcionando. Si el quemador se apaga, espere 20 segundos y repita estos pasos.

AVISO: Este calefactor está equipado con una traba de seguridad a sole-noide que impide presionar la válvula de gas hasta que se haya encendido el calefactor y el ventilador esté funcionando. Este sistema permite intentar el encendido durante 15 segundos. Luego de 15 segundos, el calefactor debe reiniciarse para poder intentar nuevamente. Para reiniciarlo, presione el botón de encendido.

DETÉNGASE

1. Presione el interruptor de encendido/apagado para apagar el calefactor.
2. Apague el suministro de gas del cilindro cuando el calentador no esté en uso.

TRABA DE BATERÍA BAJA

Este calefactor está equipado con una traba de batería baja que impide utilizarlo cuando el voltaje de la batería es demasiado bajo.

SISTEMA DE CONTROL DE VENTILADOR FUNCIONANDO

Esta unidad está equipada con un sistema de monitoreo del ventilador. Este sistema verifica que el ventilador/soplador esté funcionando correctamente. Si el LED indicador parpadea con un código de error de 2 destellos, significa que el ventilador no está funcionando correctamente y necesita reparación o ajuste. Esto puede ocurrir cuando

- Se tapa o se contamina la entrada de aire del ventilador (polvo de yeso, etc.)
- Se traba el rotor del ventilador (algo impide que gire)
- Se detecta que las RPM son muy bajas
- Falla un componente del ventilador
- Hay viento o corriente de aire muy fuerte

MANTENIMIENTO Y ALMACENAMIENTO

1. Debe inspeccionar el calefactor antes de cada uso y hacerlo revisar por una persona calificada una vez por año.
2. Antes de cada uso, revise siempre el asiento de la junta tórica que se encuentra en el borde redondeado del conector POL. Si la junta tórica presenta cortes, raspaduras o cualquier otro daño, reemplácelo por la parte número F273786.
3. Cierre la salida de gas en el tanque(s) de suministro de gas LP cuando no esté utilizando el calentador.
4. Cuando deba guardar el calentador en un lugar cerrado, deberá desconectar la conexión entre el tanque(s) de suministro de gas LP y el calentador, y deberá retirar el tanque(s) del calentador y guardarlo en un lugar al aire libre, como se especifica en el Capítulo 5 de los estándares ANSI/ NFPA 58 y CSA B149.1 para almacenamiento y manipulación de gases de petróleo líquido del Código de instalación de propano y gas natural.

¡NUNCA DEJE EL CALENTADOR DESATENDIDO MIENTRAS SE QUEMA!

REPARACIÓN

Se puede producir una situación de riesgo si se utiliza un calefactor cuya configuración original haya sido modificada o si no está funcionando correctamente. Cuando el calefactor funciona correctamente:

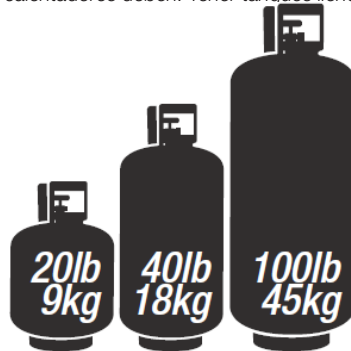
- La llama arde al interior del calefactor.
- La llama es fundamentalmente azul y puede tener algunas terminaciones amarillas.
- No se percibe un olor desagradable fuerte, no arden los ojos y no hay ningún otro tipo de incomodidad física.
- No hay humo ni hollín dentro ni fuera del calefactor.
- El calefactor no se apaga inesperadamente o inexplicablemente.

Las listas de partes y el diagrama extendido muestran la configuración original del calefactor. No utilice un calefactor que sea diferente del que se muestra. En este sentido, utilice únicamente la manguera, el regulador y el acople de conexión (denominado acople POL) suministrados con el calefactor. **IMPORTANTE:** Haga coincidir la franja de color de la etiqueta colgante que se encuentra en el acople de la manguera con el color de la etiqueta situada cerca del acople de entrada del propano en el calentador. No utilice partes alternativas. Si tiene cualquier duda acerca del regulador, hágalo revisar o reemplácelo por el indicado en la lista de partes de este manual. Si un calefactor no funciona correctamente debe ser reparado, pero solo por un técnico de mantenimiento capacitado y experimentado. Para los productos en garantía la reparación se realizará sin costos de piezas ni mano de obra. Por favor incluya una breve declaración indicando la fecha y lugar de compra, la naturaleza del problema y el comprobante de compra. La reparación de los productos que se encuentren fuera del período de garantía incluirá costos de piezas, mano de obra y envío. Cuando necesite servicio o reparaciones, le recomendamos llevar su calefactor a un centro de servicio autorizado. Cuando haga el mantenimiento o reemplace las baterías, por favor:

- No repare su calefactor con la batería conectada.
- No haga funcionar un calefactor dañado.
- Utilice únicamente baterías originales de DEWalt.
- No arroje las baterías al fuego al desecharlas. Los elementos podrían explotar. Vea la "Información de reciclaje de la batería" que aparece a continuación.
- No abra ni mutile las baterías. El electrolito que se libera es corrosivo y podría dañar sus ojos o su piel. Puede resultar tóxico si se ingiere.
- Tenga cuidado al manipular las baterías para evitar cortocircuitos ocasionados por materiales conductores tales como anillos, pulseras y/o llaves. La batería o el conductor pueden recalentarse y causar quemaduras.

TAMAÑO Y CAPACIDAD DE LOS TANQUES DE PROPANO

La siguiente tabla muestra los tiempos aproximados de funcionamiento de varios tamaños de tanques adecuados para usar con este calefactor. Todos los calentadores deben: Tener tanques llenos, buena circulación de aire y estar libres de escarcha en los tanques. Los tiempos de funcionamiento reales variarán dependiendo de la temperatura y de las variaciones de los tanques. El tiempo de funcionamiento que obtenga puede ser mayor o menor. Los tiempos de funcionamiento a continuación son para estimar el consumo y las capacidades de tiempo de funcionamiento para los tanques de PL de alimentación. Los tiempos de funcionamiento del calefactor dependerán del tipo de batería DEWalt que se utilice. Por mayor información, llame a servicio al cliente al número indicado en este manual.



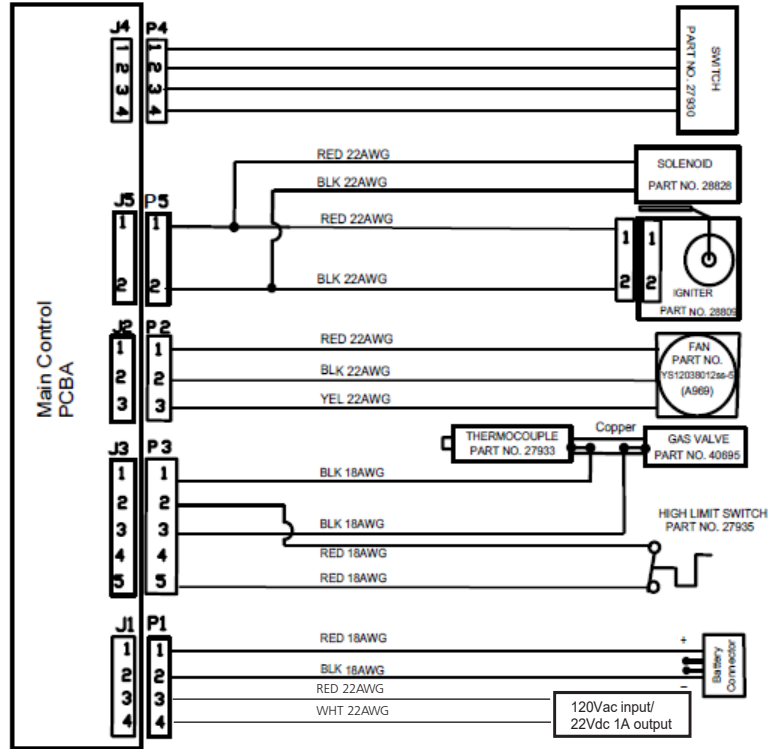
Tiempo de funcionamiento (Alto y Bajo)			
BTU/HR	20lb (9kg)	40lb (18kg)	100lb (45kg)
68 000	6,17 Horas	12,34 Horas	30,84 Horas
27 000	14,39 Horas	28,79 Horas	71,97 Horas

BTU POR HORA NECESARIOS				
Pies cúbicos del lugar a calentar	Incremento necesario de temperatura			
	20	30	40	50
5 000	14 000	20 000	27 999	34 000
7 000	19 000	28 000	38 000	47 000
10 000	27,000	40 000	54 000	67 000
15 000	40,000	60 000	80 000	100 000

¡NUNCA DEJE EL CALENTADOR DESATENDIDO MIENTRAS SE QUEMA!

Diagrama de cableado DXH70CFAV

Si se va a reemplazar cualquier de los cables originales suministrados con la unidad, deberá reemplazarse con un cable de 18AWG / 600V / 105C o su equivalente.



Español

¡NUNCA DEJE EL CALENTADOR DESATENDIDO MIENTRAS SE QUEMA!

PRECAUCIONES DE ELÉCTRICAS

DOBLE AISLAMIENTO

Los productos con doble aislamiento no necesitan estar conectados a tierra. No necesita un cable de alimentación de tres conductores (con conexión a tierra) para una operación segura. Todas las partes metálicas expuestas están aisladas del motor y el chasis metálico inferior.

⚠ ADVERTENCIA: El sistema de doble aislamiento está diseñado para proteger al usuario de las descargas eléctricas causadas por la ruptura del cableado interno del producto. Respete todas las precauciones de seguridad normales para evitar descargas eléctricas.

NOTA: La reparación de un artefacto con doble aislamiento requiere sumo cuidado y conocimiento del sistema, y solo debe ser realizada por un técnico calificado. Si fuera necesario, le recomendamos que devuelva el producto al centro de servicio autorizado más cercano para su reparación. Utilice siempre piezas de repuesto originales de fábrica en las reparaciones.

CONEXIÓN ELÉCTRICA

Este producto debe conectarse únicamente a una fuente de alimentación de 120 voltios de CA (corriente normal del hogar), 60 Hz. No haga funcionar este producto con corriente continua (CC) a través del cable de alimentación. Una gran caída de voltaje causaría pérdidas de potencia y el motor se recalentaría. Si el producto no funciona cuando está enchufado a un tomacorriente, verifique nuevamente la fuente de alimentación.

CABLES DE EXTENSIÓN

Quando use un producto a una distancia considerable de una fuente de alimentación, asegúrese de usar un cable de extensión que tenga la capacidad de manejar la corriente que el producto necesita. Un cable de extensión demasiado fino causará una caída de tensión en la línea, produciendo pérdida de potencia y recalentamiento. Use al table para determinar el tamaño mínimo de cable requerido para un cable de extensión. Utilice únicamente cables con recubrimiento redondo aprobados por Underwriter's Laboratories (UL).

Quando use este producto al air libre, use un cable de extensión que esté diseñado para usar en el exterior. Este tipo de cable viene marcado con "WA" o "W" en la cubierta exterior.

Antes de usar cualquier cable de extensión, inspeccione si hay cables sueltos o expuestos y si el aislamiento está cortado o desgastado.

**Clasificación de amperios (n al placa de datos del producto)

Amperios (A)	0-2,0	2,1-3,4	3,5-5,0	5,1-7,0	7,1-12,0	12,1-16,0
Largo del cable	Tamaño del cable: Calibre de cable americano (AWG)					
25 pies	16	16	16	16	14	14
50 pies	16	16	16	14	14	12
100 pies	16	16	14	12	10	-

**Se usa calibre 12 - circuito de 20 A

⚠ ADVERTENCIA: Mantenga el cable de extensión alejado del área de trabajo. Coloque el cable de manera que no quede atrapado en la madera, herramientas u otras obstrucciones mientras trabaja con este producto. El no hacerlos puede ocasionar lesiones personales graves.

⚠ ADVERTENCIA: Revise los cables de extensión antes de cada uso. Si están dañados, reemplácelos inmediatamente. Nunca use un producto con un cable dañado, ya que tocar el área dañada podría causar una descarga eléctrica y lesiones graves.

⚠ ADVERTENCIA: Para reducir el riesgo de una descarga eléctrica, úselo únicamente con un cable de extensión para exterior, como los tipos SW-A, SOW-A, STW-A, STOW-A, SJW-A, SJOW-A, SJTW-A, or SJTOW-A.

INSTRUCCIONES IMPORTANTES DE SEGURIDAD PARA TODOS LOS CARGADORES DE BATERÍAS

CONSERVE ESTAS INSTRUCCIONES: Este manual contiene instrucciones importantes de seguridad y de operación para cargadores de baterías.

- Antes de usar el cargador, lea todas las instrucciones y marcas de seguridad del cargador, la batería y el producto en el que usará la batería.

⚠️ ADVERTENCIA: Peligro de descarga eléctrica: No permita que entre ningún líquido en el cargador. Podría ocasionarle una descarga eléctrica.

⚠️ ADVERTENCIA: Peligro de quemaduras. Para reducir el riesgo de lesiones, cargue únicamente baterías recargables DEWALT.

⚠️ CUIDADO: Otros tipos de baterías pueden recalentarse y explotar, causando daños personales y materiales.

AVISO: Bajo ciertas condiciones, con el cargador enchufado en la fuente de alimentación, puede entrar en cortocircuito por materiales extraños. Los materiales extraños que son buenos conductores, tales como, pero sin limitarse a, limaduras de hierro, trocitos de metal, lana de acero, papel de aluminio o cualquier acumulación de partículas metálicas, deben mantenerse alejados de las cavidades del cargador. Desenchufe siempre el cargador de la fuente de alimentación cuando no haya una batería en su cavidad. Desenchufe el cargador antes de intentar limpiarlo.

⚠️ ADVERTENCIA:

- **NO intente cargar la batería con cualquier otro cargador que no sea el indicado en este manual.** El cargador y la batería están específicamente diseñados para funcionar juntos.
- **Estos cargadores no están diseñados para otra cosa que no sea cargar baterías recargables DeWALT.** Cualquier otro uso podría causar riesgos de incendio, descarga eléctrica o electrocución.
- **No exponga el cargador a la lluvia o a la nieve.**
- **Para desconectar el cargador, tire del enchufe, no del cable.** Esto reducirá el riesgo de daños al enchufe y al cable.
- **Verifique que el cable esté colocado de modo que nadie lo pise o se tropiece, ni que esté sometido a daños o a esfuerzos.**
- **No utilice un cable de extensión a menos que sea absolutamente necesario.** Usar un cable de extensión inadecuado podría causar riesgos de incendio, descarga eléctrica o electrocución.
- **Cuando use el cargador en el exterior, hágalo siempre en un lugar seco y use un cable de extensión apto para el exterior.** Usar un cable apto para exteriores reduce el riesgo de descarga eléctrica.

- **El cable de extensión debe tener el tamaño adecuado (AWG o Calibre Americano de Cables) por seguridad.** Cuanto menor sea el número de calibre del cable, mayor será la capacidad del cable, por ejemplo, un cable número 16 tiene mayor capacidad que uno 18. Un cable de extensión demasiado fino causará una caída de tensión en la línea produciendo pérdida de potencia y recalentamiento. Cuando use más de una extensión para lograr el largo total, asegúrese de que cada una de las extensiones sea por lo menos del tamaño mínimo necesario. La siguiente tabla muestra el tamaño correcto que debe usar dependiendo de la longitud y el consumo de corriente. Si tiene alguna duda, use el siguiente cable más grueso. Cuanto menor sea el número del cable, más grueso es el cable.

- **No coloque ningún objeto sobre el cargador ni coloque el cargador sobre una superficie blanda que pudiera bloquear las ranuras de ventilación, causando un calentamiento interno excesivo.** Coloque el cargador en un lugar alejado de cualquier fuente de calor. El cargador se ventila mediante ranuras en la parte inferior y superior de su cubierta.
- **No utilice el cargador con un cable o enchufe dañado.**
- No utilice el cargador si ha recibido un golpe muy fuerte, se ha caído o dañado de cualquier otra forma. Llévelo a un centro de servicio autorizado.
- **No desarme el cargador. Llévelo a un centro de reparaciones autorizado cuando necesite reparaciones.** Volver a armarlo incorrectamente puede causar riesgo de incendio, electrocución o descarga eléctrica.
- **Desconecte el cargador del tomacorriente antes de intentar limpiarlo. Esto reducirá el riesgo de descarga eléctrica.** Remover la batería no reducirá el riesgo.
- **NUNCA intente conectar 2 cargadores juntos.**
- **El cargador está diseñado para funcionar en un tomacorriente estándar hogareño de 120 V. No intente usarlo en ningún otro voltaje.** Esto no se aplica al cargador para vehículos.

Notas regulatorias

- Este aparato digital de Clase B cumple con la norma canadiense ICAS-003.
- Este dispositivo cumple con la Parte 15 de las Regulaciones de la FCC y con las normas canadienses para RSS sin licencia. Su operación está sujeta a las dos condiciones siguientes:
 1. Este dispositivo no debe causar interferencias nocivas y

¡NUNCA DEJE EL CALENTADOR DESATENDIDO MIENTRAS SE QUEMA!

2. Este dispositivo debe aceptar cualquier interferencia que pueda recibir, incluyendo aquella que impida su funcionamiento.

- Los cambios o modificaciones no aprobadas expresamente por la parte responsable del cumplimiento pueden hacer que el usuario pierda el derecho de utilizar el equipo. **NOTA:** Este equipo ha sido probado y cumple con los límites de la Clase B de dispositivos digitales, de acuerdo con la Parte 15 de las normas de la FCC. Estos límites están diseñados para proporcionar una protección razonable contra interferencia perjudicial en una instalación residencial. Este equipo genera, usa, y puede irradiar energía de radiofrecuencia y, si no se lo instala y utiliza de acuerdo con las instrucciones, puede causar interferencia perjudicial a las comunicaciones de radio. Sin embargo, no existe garantía de que no se produzca interferencia en una instalación en particular. Si este equipo llegara a causar interferencia perjudicial para la recepción de radio o televisión, lo que se puede determinar apagando y encendiendo el equipo, se recomienda que el usuario trate de corregir la interferencia tomando una o más de las siguientes medidas:

- Reorientar o cambiar de lugar la antena receptora.
- Aumentar la separación entre el equipo y el receptor.
- Conectar el equipo en un tomacorriente de un circuito distinto que el que use el receptor.
- Pedirle ayuda al distribuidor o a un técnico en radio / televisión.

Introducción

El cargador de baterías DCB107, DCB115 (Fig. 1) está diseñado para cargar baterías DeWALT de iones de litio de 12-20 V máx.* Este cargador no requiere ningún ajuste, y está diseñado para ser muy fácil de usar. Simplemente coloque su batería dentro del receptáculo de un cargador enchufado y la cargará automáticamente. Consulte el cuadro al final de este manual por compatibilidad entre cargadores y baterías.

INSTRUCCIONES IMPORTANTES DE SEGURIDAD PARA TODAS LAS BATERÍAS

Al comprar baterías de reemplazo, asegúrese de incluir el número de catálogo y el voltaje. Consulte el cuadro al final de este manual por compatibilidad entre cargadores y baterías.

La batería no viene completamente cargada cuando la recibe. Antes de usar la batería y el cargador, lea las siguientes instrucciones de seguridad y luego

siga el procedimiento de carga indicado.

LEA TODAS LAS INSTRUCCIONES

⚠ ADVERTENCIA:

- **No cargue ni use la batería en atmósferas explosivas, tales como en presencia de líquidos inflamables, gases o polvo.** El insertar o remover una batería del cargador podría encender polvo o vapores.
- **NUNCA fuerce la batería dentro del cargador. NO modifique la batería de ninguna manera para que entre en un cargador no compatible, ya que podría romperse y causar lesiones serias.** Consulte el cuadro al final de este manual por compatibilidad entre cargadores y baterías.
- Cargue las baterías únicamente en los cargadores DeWALT correspondientes.
- **NO** lo salpique ni sumerja en agua o ningún otro líquido
- **No guarde ni use la herramienta y la batería en lugares en los que la temperatura podría alcanzar o exceder los 104 °F (40 °C) (como galpones o construcciones metálicas exteriores en el verano).** Para que duren más tiempo, guarde las baterías en un lugar fresco y seco. **NOTA: No guarde la batería dentro de una herramienta con el gatillo trabado en encendido. Nunca trabe el gatillo en posición de encendido con cinta adhesiva.**

⚠ **ADVERTENCIA:** Peligro de incendio. Nunca intente abrir la batería por ningún motivo. Si la cubierta de la batería está rajada o dañada, no la inserte en el cargador. No aplaste, deje caer o dañe la batería. No use una batería o un cargador que haya recibido un golpe fuerte, se haya caído, aplastado o dañado de cualquier otra forma (como perforado con un clavo, golpeado con un martillo, pisado). Las baterías dañadas deben retornarse al centro de servicio para reciclarlas.

⚠ **ADVERTENCIA:** Peligro de incendio. **No guarde ni transporte la batería de modo que objetos metálicos puedan entrar en contacto con los terminales de la batería.** Por ejemplo, no coloque la batería en delantales, bolsillos, cajas de herramientas, cajas de productos, cajones, etc. junto con clavos sueltos, tornillos, llaves, etc. **Transportar baterías podría causar un incendio si sus terminales accidentalmente entran en contacto con materiales conductores como llaves, monedas, herramientas de mano o algo similar.** Los reglamentos acerca de materiales peligrosos (HMR) del Departamento de transporte de los EE.UU. prohíbe transportar baterías en transportes comerciales o aviones (en valijas o en equipaje de mano) A

¡NUNCA DEJE EL CALENTADOR DESATENDIDO MIENTRAS SE QUEMA!

MENOS que estén correctamente protegidas contra cortocircuitos. Cuando transporte baterías individuales, asegúrese de que los terminales estén protegidos y bien aislados de materiales que podrían entrar en contacto con ellos y causar un cortocircuito.

INSTRUCCIONES DE SEGURIDAD ESPECÍFICAS PARA BATERÍAS DE IONES DE LITIO (Li-Ion)

- **Nunca incinere la batería, incluso cuando esté completamente dañada o agotada.** La batería puede explotar en el fuego. Las baterías de iones de litio desprenden vapores y materiales tóxicos al quemarse.
- **Si el contenido de la batería entra en contacto con la piel, lave el área inmediatamente con agua y jabón suave.** Si el líquido de la batería entra en los ojos, enjuague el ojo abierto con agua durante 15 minutos o hasta que desaparezca la irritación. Si necesita atención médica, el electrolito de la batería está compuesto de una mezcla de carbonatos orgánicos líquidos y sales de litio.
- **El contenido de una batería abierta puede causar irritación respiratoria.** Suministre aire fresco. Si persisten los síntomas, consulte con un médico.

⚠ ADVERTENCIA: Peligro de quemaduras. El líquido de la batería puede ser inflamable al exponerlo a chispas o fuego.

El sello RBRC®

El sello RBRC® (Corporación de Reciclaje de Baterías Recargables) que aparece en las baterías de níquel-cadmio, de hidruro metálico de níquel o de iones de litio, indica que los costos para reciclar esas baterías al final de su vida útil han sido pagados por DeWALT. En algunas áreas es ilegal depositar baterías de níquel-cadmio, de hidruro metálico de níquel o de iones de litio gastadas en la basura o en el sistema municipal de recogida de desechos sólidos, y el programa Call 2 Recycle® proporciona una alternativa responsable desde el punto de vista medioambiental. Call 2 Recycle Inc., en cooperación con DeWALT y otros usuarios de baterías, estableció el programa en los EE.UU. y Canadá para facilitar la recolección de baterías de níquel-cadmio, de hidruro metálico de níquel o de iones de litio gastadas. Ayude a proteger nuestro medioambiente y a conservar los recursos naturales retornando las baterías de níquel-cadmio, de hidruro metálico de níquel o de iones de litio gastadas a



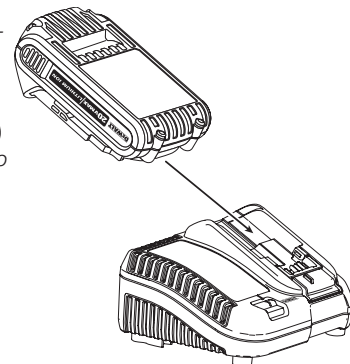
un centro de servicio DeWALT autorizado o a su tienda local para su reciclado. También puede contactar a su centro local de reciclaje para solicitar información acerca de dónde puede depositar la batería gastada. RBRC® es una marca registrada de Call 2 Recycle, Inc.

Cargador

Asegúrese de leer todas las instrucciones de seguridad antes de usar su cargador. Consulte el cuadro al final de este manual por compatibilidad entre cargadores y baterías.

Para cargar una batería (Fig. 1)

1. Enchufe el cargador en un tomacorriente apropiado (Fig. 1) antes de insertar la batería.
2. Inserte la batería en el cargador, verificando que haya quedado completamente insertada. La luz roja (de carga) parpadeará constantemente indicando que ha comenzado el proceso de carga.
3. Cuando la carga haya terminado, la luz roja permanecerá constantemente encendida. La batería estará completamente cargada y se puede utilizar o dejar en el cargador.



NOTA: Para asegurar el máximo rendimiento y vida útil de las baterías de iones de litio, cárguelas completamente antes de usarlas por primera vez.






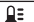
¡NUNCA DEJE EL CALENTADOR DESATENDIDO MIENTRAS SE QUEMA!

Funcionamiento del cargador

Consulte los indicadores de carga a continuación por el estado de carga de la batería.

* La luz roja seguirá parpadeando, pero se encenderá la luz amarilla durante esta operación. Una vez que la batería haya alcanzado la temperatura apropiada, se apagará la luz amarilla y el cargador reanudará el proceso de carga.

El cargador no cargará una batería dañada. El cargador indicará que la batería está dañada, negándose a cargarla.

INDICADORES DE CARGA		
	CARGANDO	
	COMPLETAMENTE CARGADA	
	DEMORA POR TEMPERATURA	

NOTA: Esto también podría indicar un problema con el cargador.

Si el cargador parece ser el problema, lleve el cargador y la batería a un centro de servicio autorizado para que los prueben.

DEMORA POR TEMPERATURA

Cuando el cargador detecta que la batería está demasiado caliente o fría, inicia automáticamente una demora por temperatura, suspendiendo la carga hasta que la batería alcance una temperatura adecuada. Luego el cargador pasa automáticamente al modo de carga. Esta función asegura la máxima vida útil de la batería.

Una batería fría se cargará más lentamente que una tibia. La batería se cargará a ese ritmo lento durante todo el ciclo de carga y no volverá al ritmo máximo de carga, incluso luego de calentarse.

SOLO PARA BATERÍAS DE IONES DE LITIO

Las herramientas de iones de litio están diseñadas con un sistema de protección electrónico que protege la batería contra sobrecarga, sobrecalentamiento o descarga profunda. La herramienta se apagará automáticamente si se dispara este sistema de protección electrónico. Si pasa eso, coloque la batería de iones de litio en el cargador hasta que se haya cargado por completo.

Notas importantes de carga

1. Se obtiene la mayor vida útil y el mejor rendimiento si se carga la batería cuando la temperatura del aire está entre 65 °F y 75 °F (18 - 24 °C). NO cargue la batería a temperaturas por debajo de los +40 °F (+4,5 °C) o por encima de los +104 °F (+40 °C). Esto es importante y evitará serios daños a

la batería.

2. El cargador y la batería pueden calentarse mientras se carga. Esto es normal y no representa un problema. Para facilitar el enfriamiento de la batería luego de usarla, evite colocar el cargador o la batería en un ambiente caliente como un galpón metálico o un remolque sin aislación.
 3. Si la batería no se carga correctamente:
 - Verifique que el tomacorriente funcione correctamente enchufando una lámpara u otro artefacto.
 - Verifique si el tomacorriente está conectado a una llave de luz que apague el tomacorriente cuando se apagan las luces.
 - Mueva el cargador y la batería a otro lugar en el que la temperatura sea de aproximadamente 65 - 75 °F (18 - 24 °C).
 - Si el problema persiste, lleve la herramienta, la batería y el cargador a su centro local de reparaciones.
 4. Hay que recargar la batería cuando no pueda suministrar la potencia suficiente que proporcionaba anteriormente. NO LA SIGA USANDO bajo esas condiciones. Siga el procedimiento de carga. También puede cargar una batería parcialmente usada cuando quiera, sin que eso dañe la batería.
 5. Los materiales extraños que son buenos conductores, tales como, pero sin limitarse a, limaduras de hierro, trocitos de metal, lana de acero, papel de aluminio o cualquier acumulación de partículas metálicas, deben mantenerse alejados de las cavidades del cargador. Desenchufe siempre el cargador de la fuente de alimentación cuando no haya una batería en su cavidad. Desenchufe el cargador antes de intentar limpiarlo.
 6. No congele ni sumerja el cargador en agua o ningún otro líquido.
- ⚠ADVERTENCIA:** Peligro de descarga eléctrica: No permita que entre ningún líquido en el cargador. Podría ocasionarle una descarga eléctrica.
- ⚠ADVERTENCIA:** Peligro de quemaduras. No sumerja la batería en ningún líquido ni permita que algún líquido entre en la batería. Nunca intente abrir la batería por ningún motivo. Si la cubierta plástica de la batería se rompe o se raja, retórnala al centro de servicio para su reciclaje.

Montaje de pared

Estos cargadores están diseñados para montarlos en la pared o para colocarlos sobre una mesa o superficie de trabajo. Si lo quiere montar en la pared, colóquelo cerca de un tomacorriente, y lejos de una esquina o de cualquier otra obstrucción que pudiera impedir la circulación de aire. Use la parte de atrás del cargador como plantilla para la ubicación de los tornillos de montaje en la pared. Monte el cargador de forma segura con tornillos para paneles de

yeso (se venden por separado) de por lo menos 1" (25,4 mm) de largo, con una cabeza de 0,28-0,35" (7-9 mm) de diámetro, atornillados en madera a la profundidad óptima y sobresaliendo aproximadamente 7/32" (5,5 mm). Alinee las ranuras de la parte de atrás del cargador con los tornillos expuestos y engánchelos completamente en las ranuras.

Instrucciones de limpieza del cargador

⚠️ ADVERTENCIA: Peligro de descarga eléctrica: Desenchufe el cargador del tomacorriente antes de limpiarlo. Puede remover la tierra y la grasa del exterior del cargador con un trapo o un cepillo no metálico. No utilice agua ni líquidos limpiadores.

Recomendaciones de almacenamiento

1. El mejor lugar de almacenamiento es un lugar fresco y seco, lejos de la luz directa del sol y calor o frío excesivos.
2. Para guardarlo por mucho tiempo, le recomendamos guardar la batería completamente cargada en un lugar fresco y seco, fuera del cargador, para obtener los mejores resultados.

NOTA: No debe guardar las baterías completamente descargadas. Deberá cargar la batería antes de usarla.

CONSERVE ESTAS INSTRUCCIONES PARA USO FUTURO

Reparaciones

El cargador y la batería no se pueden reparar. No hay partes reparables dentro del cargador y la batería.

LEA TODAS LAS INSTRUCCIONES DE LA SECCIÓN DEL CARGADOR DE BATERÍA DE ESTE MANUAL ANTES DE INTENTAR CARGAR LA BATERÍA PARA ESTA HERRAMIENTA.

Si tiene alguna pregunta, llame a 1-800-4-DeWALT (1-800-433-9258).

Regístrese en línea

Gracias por su compra. Registre su producto ahora para obtener:

- **SERVICIO DE GARANTÍA:** Registrar su producto le ayudará a obtener un servicio de garantía más eficiente en caso de que haya un problema con su producto.
- **CONFIRMACIÓN DE PROPIEDAD:** En caso de pérdida asegurada, como en un incendio, inundación o robo, su registro le servirá como comprobante de compra.
- **POR SU SEGURIDAD:** Registrar su producto nos ayudará a ponernos en contacto con usted en caso de que haya alguna notificación de seguridad requerida bajo la Ley Federal de Seguridad del Consumidor. Regístrese en línea visitando www.dewalt.com/register.

Garantía limitada de tres años

DeWALT reparará, sin cargo, cualquier defecto de materiales o de fabricación por tres años a partir de la fecha de compra. Esta garantía no cubre partes con daños causados por el desgaste normal o por abuso de la herramienta. Por más información acerca de la cobertura de la garantía y las reparaciones, visite www.dewalt.com o llame a 1-800-4-DeWALT (1-800-433-9258). Esta garantía no cubre accesorios o daños causados por reparaciones o intentos de reparación por parte de terceros. Esta garantía le otorga derechos legales específicos, y usted puede tener otros derechos que varían en ciertos estados o provincias. Además de la garantía, las herramientas DeWALT están cubiertas por nuestro:

1 AÑO DE REPARACIÓN GRATIS

DeWALT mantendrá la herramienta y reemplazará las partes gastadas por el uso normal, sin cargo, en cualquier momento durante el primer año a partir de la fecha de compra.

2 AÑOS DE REPARACIÓN GRATIS EN BATERÍAS DeWALT

DC9071, DC9091, DC9096, DC9182, DC9280, DC9360, DCB120, DCB127, DCB201, DCB203, DCB203BT, DCB207, DCB361

3 AÑOS DE REPARACIÓN GRATIS EN BATERÍAS DeWALT

DCB200, DCB204, DCB204BT, DCB205, DCB606

La garantía queda anulada si la batería es alterada de cualquier forma. DeWALT no se responsabiliza por cualquier lesión causada por alteraciones y puede procesar el fraude de garantía hasta el límite máximo permitido por la ley. **SI NO QUEDA SATISFECHO DENTRO DE LOS 90 DÍAS LE DEVOLVEREMOS SU DINERO**

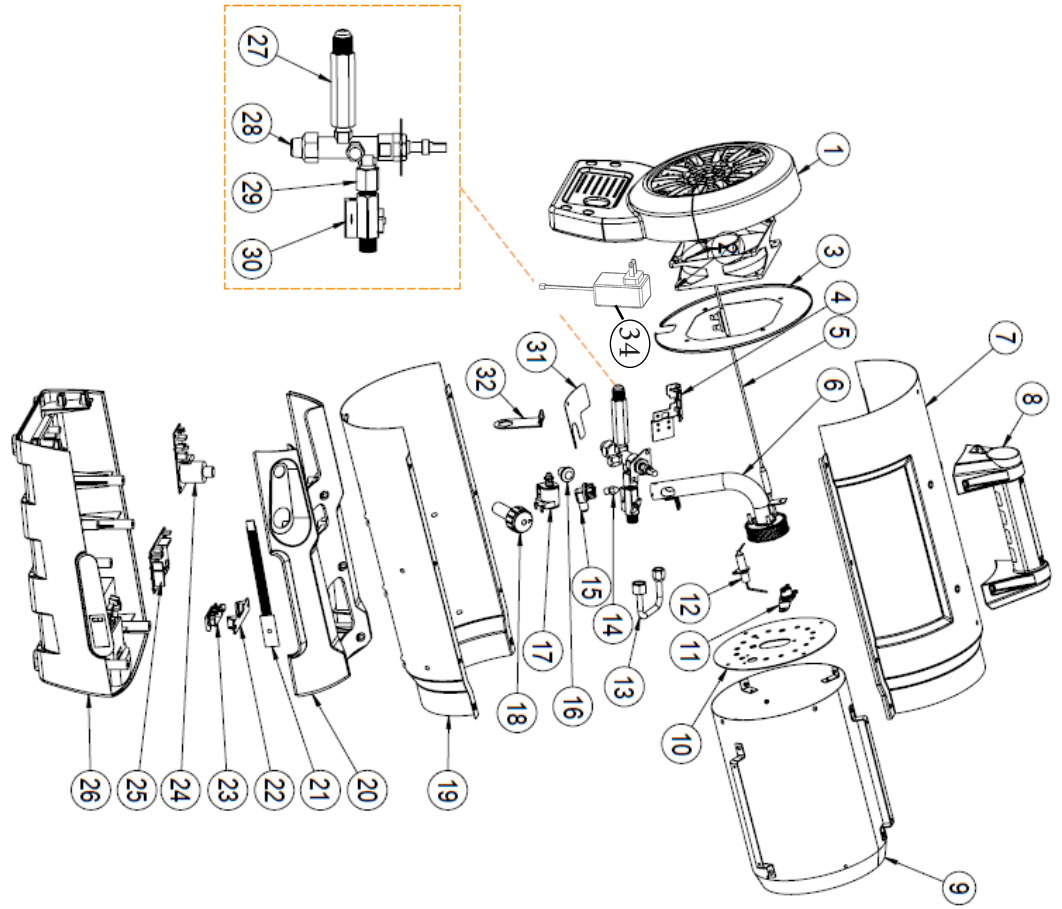
Si no queda completamente satisfecho con el rendimiento de su herramienta, láser o clavadora DeWALT por cualquier motivo, la puede retornar con su recibo, dentro de los 90 días a partir de la fecha de compra, por un reembolso total, sin tener que dar ninguna explicación.

AMÉRICA LATINA: Esta garantía no se aplica a productos vendidos en América Latina. Para productos vendidos en América Latina, consulte la garantía específica del país que viene dentro del paquete, llame a la compañía local o visite el sitio web por mayor información.

REEMPLAZO GRATUITO DE ETIQUETA DE ADVERTENCIA: Si sus etiquetas de advertencia no se pueden leer o se pierden, llame a 1-800-4-DeWALT (1-800-433-9258) para solicitar reemplazos gratuitos.

¡NUNCA DEJE EL CALENTADOR DESATENDIDO MIENTRAS SE QUEMA!

Español



¡NUNCA DEJE EL CALENTADOR DESATENDIDO MIENTRAS SE QUEMA!

#	Description	Part #
1	Rejilla plástica posterior	40664
2	Ventilador	40684
3	Placa de acero de sujeción	40663
4	Soporte de la válvula	28805
5	Ensamble del termopar	27933
6	Rejilla del quemador	40685
7	Cubierta superior	40661
8	Manija	40801
9	Cubierta de radiación	40686
10	Soporte de la llama	40687
11	Interruptor de límite superior	40688
12	Electrodo de encendido	40904
13	Tubo de combustible	40689
14	Orificio del quemador	40690
15	Soporte de orificio	27450
16	Botón de la válvula	40667
17	Solenoides de traba	28843
18	Perilla de control de consumo	40666
19	Cubierta inferior	40662
20	Base superior	40668
21	Llave de encendido con LED	27930

#	Description	Part #
22	Gancho de retención	40691
23	Conector de la batería	40692
24	Placa de encendido	28809
25	Placa de control	40693
26	Base inferior	40669
27	Acople de entrada de combustible	40694
28	Válvula de gas principal	40695
29	Adaptador de transición para válvula	40696
30	Válvula variable	27457
31	Cubierta de viento	40697
32	L soporte angular	40698
33	Manguera y regulador	21667-15
34	Adaptador de Corriente	40699

⚠️ ADVERTENCIA

Peligro para la calidad del aire

- No utilice este calefactor para calentar viviendas de personas.
- El uso de calefactores a fuego directo en lugares de construcción puede causar una exposición a niveles de CO, CO₂ y NO₂ considerados como peligrosos para la salud y potencialmente letales.
- No lo utilice en áreas sin ventilación.
- Conozca los signos de envenenamiento por CO y CO₂.
 - Dolor de cabeza, picazón en los ojos
 - Mareo, desorientación
 - Dificultad para respirar, sentirse sofocado
- Se debe proporcionar aire de ventilación exterior adecuado (OSHA 29 CFR 1926.57) como para mantener la combustión y una calidad de aire aceptable de acuerdo con la norma OSHA 29 CFR Parte 1926.154, con los requisitos de seguridad para dispositivos y equipos de calefacción temporarios y portátiles utilizados en la industria de la construcción (ANSI A10.10) o con las normas de instalación para gas natural y propano (CSA B149.1).
 - Controle periódicamente los niveles de CO, CO₂ y NO₂ presentes en el lugar de la construcción (como mínimo, al principio del turno de trabajo y luego de 4 horas).
 - Proporcione aire de ventilación exterior, ya sea de forma natural o mecánica, como sea necesario para mantener una calidad aceptable del aire interior.

	EE.UU.: Promedio ponderado de 8 horas (OSHA 29 CFR 1926.55 App A)	Canadá: Promedio ponderado de 8 horas Recomendaciones WorkSafe BC OHS Parte 5.1 y Reglamentaciones para lugares de trabajo de Ontario 833
CO	50 partes por millón	25 partes por millón
CO ₂	5000 partes por millón	5000 partes por millón
NO ₂		3 partes por millón (Reg 833)
	EE.UU.: Límite superior (Límite de exposición por corto tiempo = 15 minutos)	Canadá: STEL (15 minutos Reglamentación 833/1 hora WSBC) Recomendaciones WorkSafe BC OHS Parte 5.1 y Reglamentaciones para lugares de trabajo de Ontario 833
CO		100 partes por millón
CO ₂		15000 partes por millón (WSBC) 30000 partes por millón (Reg 833)
NO ₂	5 partes por millón	1.0 partes por millón (WorkSafeBC) 5.0 partes por millón (Reg 833)

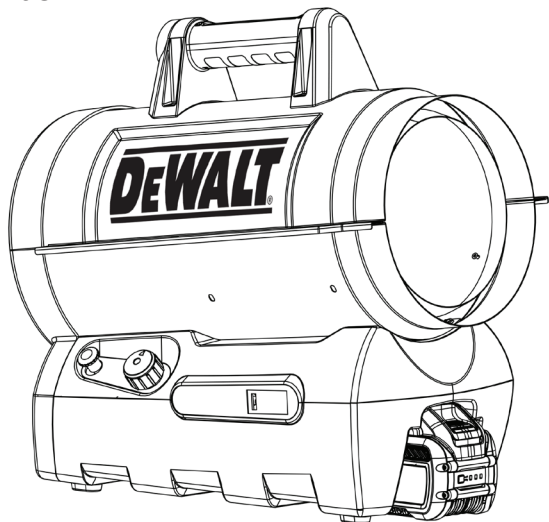
- Asegúrese de que no obstruya el flujo de aire necesario para la combustión y para el aire de ventilación.
- A medida que el edificio se vuelve "más cerrado" durante las etapas de construcción, podría ser necesario aumentar la ventilación.

¡NUNCA DEJE EL CALENTADOR DESATENDIDO MIENTRAS SE QUEMA!

DEWALT®

MANUAL DE INSTRUCCIONES

CALEFACTOR PARA LA CONSTRUCCIÓN INALÁMBRICO DE AIRE FORZADO DXH70CFAV



⚠ Advertencia

USE SOLAMENTE PARTES DE REPUESTO DEL FABRICANTE. EL USO DE CUALQUIER OTRA PARTE PODRÍA CAUSAR HERIDAS O LA MUERTE. LAS PARTES DE REPUESTO ESTÁN DISPONIBLES ÚNICAMENTE EN LA FÁBRICA Y DEBEN SER INSTALADAS POR UNA AGENCIA DE SERVICIO CALIFICADA.

INFORMACIÓN PARA ORDENAR PARTES:

COMPRAS: Puede comprar accesorios en cualquier distribuidor local de Dewalt® o directamente de la fábrica.

POR INFORMACIÓN ACERCA DE REPARACIONES:

Llame sin cargo al 855-805-5745

www.dewalt.com

Nuestro horario de trabajo es de 08:00 a.m. AM a 5:00 PM, de lunes a viernes, hora del este.

Por favor, incluya el número de modelo, la fecha de compra y la descripción del problema en todas sus comunicaciones.

GARANTÍA LIMITADA

Dewalt® garantiza la calidad del material y la fabricación de sus calefactores y accesorios por un período de 1 año a partir de la fecha de compra.

Dewalt® reparará o reemplazará este producto sin cargo si presentara defectos dentro del primer año tras realizada la compra, siempre y cuando el cliente costee la devolución y presente el comprobante de compra a Dewalt® dentro del período de garantía.

DEWALT®, GUARANTEED TOUGH® y la combinación de colores amarillo y negro son marcas registradas de DEWALT Industrial Tool Co., usadas bajo licencia. ©2017 DEWALT. EGI/ Enerco Group Inc. Bajo licencia de Dewalt Industrial Tool Co.

NE JAMAIS LAISSER LE CHAUFFAGE SANS SURVEILLANCE PENDANT LE BRÛLAGE!

Définitions : Directives de sécurité

Les définitions ci-dessous décrivent le niveau de sévérité pour chaque terme des mises en garde. Veuillez lire le manuel attentivement et porter une grande attention à ces symboles.

⚠ DANGER: Indique une situation de danger imminent qui, si elle n'est pas évitée, **résultera en décès ou blessure grave.**

⚠ AVERTISSEMENT : Indique situation potentiellement dangereuse qui, si elle n'est pas évitée, **pourrait résulter en un décès ou en blessure grave.**

⚠ ATTENTION : Indique une situation potentiellement dangereuse qui, si elle n'est pas évitée, **peut résulter en blessure mineure ou modérée.**

AVIS: Indique une pratique sans relation avec une blessure personnelle qui, si elle n'est pas évitée, **peut résulter en des dommages à la propriété.**

⚠ MISES EN GARDE GÉNÉRALES:

LE NON-RESPECT DES MISES EN GARDE ET DES INSTRUCTIONS FOURNIES AVEC CE RADIATEUR PEUT ENTRAÎNER LA MORT, DE GRAVES BLESSURES ET DES PERTES MATÉRIELLES OU DES DOMMAGES À LA PROPRIÉTÉ RÉSULTANT D'UN INCENDIE, D'UNE EXPLOSION, DE BRÛLURES, D'ASPHYXIE, D'EMPOISONNEMENT AU MONOXYDE DE CARBONE ET/OU D'UN CHOC ÉLECTRIQUE. SEULES LES PERSONNES APTES À COMPRENDRE ET À SUIVRE LES INSTRUCTIONS DEVRAIENT SE SERVIR DE CE RADIATEUR OU LE RÉPARER. SI VOUS AVEZ BESOIN D'AIDE OU D'INFORMATIONS CONCERNANT CE RADIATEUR, SOIT UNE NOTICE D'INSTRUCTIONS UNE ÉTIQUETTE, ETC., PRIÈRE DE COMMUNIQUER AVEC LE FABRICANT.

⚠ AVERTISSEMENT: RISQUE D'INCENDIE, DE BRÛLURES, D'INHALATION ET D'EXPLOSION. GARDER LES COMBUSTIBLES SOLIDES, TELS LES MATÉRIAUX DE CONSTRUCTION, LE PAPIER ET LE CARTON, À BONNE DISTANCE DE CE RADIATEUR, COMME IL EST RECOMMANDÉ DANS LES INSTRUCTIONS. NE JAMAIS UTILISER CET APPAREIL DANS DES ENDROITS QUI CONTIENNENT OU POURRAIENT CONTENIR DES COMBUSTIBLES VOLATILES OU EN SUSPENSION DANS L'AIR TELS L'ESSENCE, LES SOLVANTS, LES DILUANTS POUR PEINTURE, LES PARTICULES DE POUSSIÈRES OU DES PRODUITS CHIMIQUES INCONNUS.

⚠ AVERTISSEMENT: NE PAS UTILISER DANS UNE MAISON OU UN VÉHICULE DE CAMPING.

⚠ AVERTISSEMENT: LES SOUS-PRODUITS DE COMBUSTION ÉMIS LORS DE L'UTILISATION DE CET APPAREIL CONTIENNENT DU MONOXYDE DE CARBONE, UN PRODUIT CHIMIQUE RECONNU PAR L'ÉTAT DE CALIFORNIE COMME POUVANT CAUSER LE CANCER ET DES MALFORMATIONS CONGÉNITALES (OU AUTRES DOMMAGES AU SYSTÈME REPRODUCTEUR). Pour plus d'informations, visitez www.P65Warnings.ca.gov

NE JAMAIS LAISSER LE CHAUFFAGE SANS SURVEILLANCE PENDANT LE BRÛLAGE!

LE CHAUFFAGE EST CONÇU ET APPROUVÉ POUR ÊTRE UTILISÉ COMME CHAUFFE-CONSTRUCTION CONFORMÉMENT À LA NORME ANSI Z83.7-CSA 2.14. VÉRIFIEZ VOTRE AUTORITÉ LOCALE DE SÉCURITÉ INCENDIE SI VOUS AVEZ DES QUESTIONS À L'ÉGARD DES APPLICATIONS. D'AUTRES NORMES GOUVERNENT L'UTILISATION DES GAZ DE COMBUSTIBLE ET DES PRODUITS DE PRODUCTION DE CHALEUR DANS DES APPLICATIONS SPÉCIFIQUES. VOTRE AUTORITÉ LOCALE VOUS POUVEZ VOUS ADRESSER SUR CELUI-CI.

⚠ AVERTISSEMENT : AFIN D'ÉVITER DES BLESSURES GRAVES, NE PAS FAIRE FONCTIONNER CE RADIATEUR AVANT D'AVOIR LU ET BIEN COMPRIS CE MANUEL D'INSTRUCTIONS POUR LA SÉCURITÉ, SON FONCTIONNEMENT ET SON ENTRETIEN.

⚠ AVERTISSEMENT: L'utilisation de ce radiateur de quelque manière qui ne serait pas décrite dans ce manuel peut causer un incendie, un choc électrique, une blessure personnelle et/ou des dommages à la propriété.

⚠ ATTENTION: Ce radiateur est chaud lorsqu'il est utilisé. Afin d'éviter des brûlures, ne jamais laisser la peau nue entrer en contact avec les surfaces chaudes. Garder tout matériau combustible, comme les meubles, oreillers, la literie, les papiers, vêtements et les rideaux, à une distance d'au moins 6 pieds (1,8 m) de l'avant du radiateur, et les garder distancés d'au moins 2 pieds (0,6 m) des côtés et de l'arrière.

⚠ AVERTISSEMENT: Ne pas insérer ou permettre à des objets étrangers d'entrer dans l'appareil via les événements d'aspiration ou d'évacuation sur l'appareil. Un manquement à respecter cet avertissement peut résulter en un choc électrique, un incendie ou un dommage à l'appareil.

⚠ AVERTISSEMENT: Pour prévenir un incendie, ne pas bloquer les événements d'aspiration ou d'évacuation de quelque manière.

⚠ AVERTISSEMENT: Cet appareil est équipé avec des composantes électriques internes actives, qui créent des étincelles lors de l'utilisation. Ne pas utiliser dans des endroits où des vapeurs d'essence, de peinture ou d'autres émanations ou liquides inflammables pourraient être présentes.

⚠ AVERTISSEMENT : RISQUE D'INCENDIE ET D'EXPLOSION

- Ne pas ranger ni utiliser d'essence ou d'autres liquides ou émanations inflammables à proximité de cet appareil, ou de tout autre appareil.
- QUE FAIRE SI VOUS SENTEZ DU GAZ:
 - Ouvrir les fenêtres.
 - NE PAS tenter d'allumer un appareil.
 - NE PAS opérer un commutateur électrique.
 - NE PAS utiliser un téléphone dans votre immeuble. Appeler immédiatement, à partir d'un téléphone autre que celui dans l'immeuble, votre fournisseur de gaz. Suivre les instructions du fournisseur de gaz.
 - NE PAS toucher un commutateur électrique; ne pas utiliser un téléphone dans votre immeuble.
 - Si vous ne pouvez pas joindre votre fournisseur de gaz, appeler les pompiers.

Nous sommes heureux que vous ayez choisi notre produit et nous profitons de cette opportunité pour vous assurer que des installations de service qualifiées sont disponibles au besoin. Grâce à la coopération des détaillants indépendants, un réseau national de détaillants qui offre un service autorisé est disponible pour vos besoins de service. Si votre produit nécessite un service, lire la section intitulée « Service. » Qui peut bénéficier de la garantie? La garantie est limitée au consommateur qui a procédé à l'achat d'origine de ce produit. Qu'est-ce qui est couvert? Cette garantie limitée couvre toute imperfection de main-d'oeuvre et de matériau. Qu'est-ce qui n'est pas couvert? Cette garantie limitée ne couvre pas un dommage qui résulte d'un accident, d'un mauvais usage ou d'un abus, d'un manque d'entretien adéquat, de la pose de toute fixation qui ne serait pas fournie avec ces produits, ou de la perte de pièces. EN AUCUN CAS DeWalt/MD NE PEUT ÊTRE TENU RESPONSABLE POUR TOUT DOMMAGE INDIRECT OU CONSÉCUTIF, NI POUR TOUT DOMMAGE RÉSULTANT D'UN MAUVAIS USAGE OU D'UNE MODIFICATION DE CE PRODUIT.

⚠ AVERTISSEMENT: LES CARBURANTS UTILISÉS DANS LES APPAREILS À GAZ PROPANE LIQUÉFIÉ ET LES PRODUITS DE COMBUSTION DE CE CARBURANT PEUVENT VOUS EXPOSER À DES PRODUITS CHIMIQUES, NOTAMMENT LE BENZÈNE, CONNU EN CALIFORNIE POUR CAUSER LE CANCER ET CAUSER DES MALFORMATIONS CONGÉNITALES OU D'AUTRES PROBLÈMES DE REPRODUCTION. www.P65Warnings.ca.gov

Spécifications

MODÈLE:	DXH70CFAV
TAUX DE COMBUSTION:	27,000-68,000 BTU/hr
PRESSION D'ALIMENTATION AU RÉGULATEUR:	MAX: 200 psi (1380 Kpa) MIN. 20 psi
RÉGULATEUR DE PRESSION:	20 psi WC 137,9 (kPa)
PRESSION AU COLLECTEUR:	20 psi WC 137,9 (kPa)
TAUX DE CONSOMMATION DE CARBURANT:	3,24 lb/h (1,47 kg/h)
TAILLE DE L'ORIFICE DU PORT DE CARBURANT:	0,94 mm
RÉGIME NOMINAL DU VENTILATEUR:	135 cfm
ENTRÉE ÉLECTRIQUE:	20 Vc.c./0,6 A ou 120 V .c.a.
IGNITION:	Étincelle automatique/robinet de gaz manuel
CONTRÔLE PRINCIPAL DE FLAMME:	Vanne de gaz commandée par thermocouple
CONTRÔLE DE HAUTE TEMPÉRATURE:	221°F (105°C)

⚠ AVERTISSEMENT: CERTIFIÉ POUR UTILISATION AVEC DU PROPANE UNIQUEMENT

⚠ AVERTISSEMENT: CERTIFIÉ POUR UTILISATION AVEC LES BLOCS PILES RECHARGEABLES DEWALT, SE RÉFÉRER À LA LISTE DES PILES APPROUVÉES CI-DESSOUS

BLOCS PILES APPROUVÉS			
20V MAX*		FLEXVOLT®	
Taille	Durée de fonctionnement**	Taille	Durée de fonctionnement**
1,3 Ah	2 heures	6,0 Ah	10 heures
1,5 Ah	2.5 heures	9,0 Ah	15 heures
2,0 Ah	3.2 heures	Toutes les durées de fonctionnement sont approximatives. La durée de fonctionnement réelle peut varier. L'état de chargement, la température de la batterie et l'âge de la batterie affecteront le temps de fonctionnement réel. * Le voltage initial maximal de la pile (mesurés sans charge) est de 20 volts. Le voltage nominal est de 18 volts. **Le calcul assume une température ambiante du bloc-piles de 73°F (23°C)	
3,0 Ah	5 heures		
4,0 Ah	6.5 heures		
5,0 Ah	8.3 heures		
6,0 Ah	10 heures		

TABLE DES MATIÈRES

AVERTISSEMENTS	36
SPÉCIFICATIONS DU RADIATEUR	38
PRÉCAUTIONS D'OPÉRATION	39
PRÉCAUTIONS DE SÉCURITÉ	39
PRÉPARATION POUR L'OPÉRATION	41
SERVICE	42
DIMENSIONNEMENT DU RÉSERVOIR DE PROPANE	42
SCHÉMA DE CÂBLAGE	43
PRÉCAUTIONS LORS DE LA RECHARGE	44
PRÉCAUTIONS CONCERNANT LES PILES	45
FONCTIONNEMENT DU CHARGEUR	46
GARANTIE DE LA PILE/DES CHARGEURS	48
VUE ÉCLATÉE	49
LISTE DES PIÈCES	50

DÉGAGEMENT MINIMUM : Distance minimale avec un matériau combustible normal

Dégagement

Du sol.....	0 pi (0 m)
De la sortie.....	6 pi (1,8 m)
Des côtés.....	4 pi (.87 m)
Du dessus.....	6 pi (1,8 m)

Placer à au moins 10 pi (2,4 m) de toute toile en tissu ou en plastique, ou de couverture similaire, et bien les attacher pour prévenir tout mouvement en raison de l'action du vent.

PRÉCAUTIONS D'OPÉRATION

AVERTISSEMENT

Ceci est un radiateur au propane, à feu direct et à ventilation forcée. Il est conçu pour usage principal de chauffage temporaire des immeubles en construction, en rénovation ou en réparation. Le propane est plus lourd que l'air. Si du propane fuit par une connexion ou par un raccord, il s'accumulera au sol, et en s'accumulant avec l'air environnant, il peut former un mélange potentiellement explosif. Lire le feuillet inclus intitulé « Estompement de l'odeur et du propane » pour de l'information additionnelle concernant la détection des fuites de propane. Procéder à une inspection pour la présence de fuites lors de toute connexion ou reconnexion, avec une solution à base d'eau et de savon.

Le terme « feu direct » signifie que tous les produits de combustion entrent dans la zone chauffée. Bien que ce radiateur fonctionne à près de 100 % d'efficacité de combustion, il produit quand même des petites quantités de monoxyde de carbone. Le monoxyde de carbone (appelé communément CO) est toxique. Le CO peut s'accumuler dans l'espace chauffé, et un manquement à fournir une ventilation adéquate peut causer un décès. Voici les symptômes d'une ventilation inadéquate :

- Mal de tête • Étourdissement • Yeux et le nez qui piquent/brûlent • Nausées
- Bouche sèche ou mal de gorge

S'assurer de respecter les avis concernant la ventilation, dans la section des instructions d'opération.

Le terme « ventilation forcée » signifie qu'une soufflante ou un ventilateur pousse l'air au travers du radiateur. La bonne combustion dépend de ce courant d'air; en conséquence, le radiateur ne doit pas être révisé, modifié ou opéré avec des pièces retirées ou manquantes. Aussi, les systèmes de sécurité ne doivent pas être circonvenus ou modifiés pour faire fonctionner le radiateur. Lorsque le radiateur doit fonctionner en présence d'autres personnes, l'utilisateur est responsable d'aviser adéquatement ces personnes sur les précautions de sécurité, sur les instructions, et sur les risques impliqués.

PRÉCAUTIONS DE SÉCURITÉ

AVERTISSEMENT

1. Inspecter minutieusement le radiateur pour la présence de dommage. NE PAS faire fonctionner un radiateur endommagé.
2. NE PAS modifier le radiateur ni faire fonctionner un radiateur dont la condition d'origine aurait été modifiée.
3. Utiliser uniquement du gaz propane.
4. Utiliser uniquement une alimentation en propane avec RETRAIT DES VAPEURS. Pour toute question concernant le retrait des vapeurs, communiquer avec votre fournisseur de propane.

5. Monter les cylindres de propane à la verticale (soupape d'arrêt vers le haut). Prévenir leur chute ou protéger contre les chocs et contre tout dommage.
6. Localisez les réservoirs de propane d'au moins 2,13m (7 pi) (US) du radiateur et 3 m (10 pi) au Canada et ne dirigez pas l'évacuation vers les citernes à moins de 6 m (20 pi).
7. **IMPORTANT** Utiliser uniquement l'ensemble de boyau et de régulateur fourni avec le radiateur. Apparier la bande de couleur sur l'étiquette à fil fixée sur l'ensemble de boyau avec la couleur sur l'étiquette localisée près du raccord d'entrée de propane sur le radiateur. Inspecter l'ensemble de boyau avant chaque utilisation du radiateur. En cas d'abrasion ou d'usure excessive, ou si le boyau est coupé, le remplacer par un ensemble de boyau listé dans la liste des pièces, avant d'utiliser le radiateur.
8. Pour usage à l'intérieur uniquement. La zone chauffée doit être bien ventilée. Fournir des ouvertures minimales de 0,5 po2 (0,046 m²) près du sol, et de 0,5 po2 (0,046 m²) près du plafond (voir aussi la section intitulée « Précautions d'opération »).
9. En tout temps, si une odeur de gaz est détectée, CESSER IMMÉDIATEMENT d'utiliser ce radiateur, jusqu'à ce que la source du gaz ait été localisée et corrigée.
10. Installer le radiateur de sorte qu'il ne puisse pas être exposé directement à de l'eau pulvérisée, à de la pluie et/ou à de l'eau ou d'autres liquides.
11. Maintenir un dégagement minimum avec tout matériau combustible normal (comme du papier) comme suit : Plancher 0 pi (0 m); sortie 6 pi (1,83 m); côtés 4 pi (0,61 m); dessus 6 pi (1,83 m). Placer à au moins 10 pi (2,4 m) de toute toile en tissu ou en plastique, ou de couverture similaire, et bien les attacher pour prévenir tout mouvement en raison de l'action du vent.
12. En raison des hautes températures de surface et d'évacuation, les adultes et les enfants doivent respecter les dégagements pour éviter les brûlures ou l'ignition des vêtements.
13. Faire fonctionner l'appareil uniquement sur une surface stable et à niveau.
14. Ne pas utiliser avec des gaines et conduits d'air. Ne pas restreindre l'entrée ou la sortie.
15. Ne pas déplacer, manipuler ou effectuer un service pendant qu'il est chaud ou qu'il fonctionne.
16. Utiliser seulement cet appareil en conformité avec les exigences et ordonnances des codes locaux ou, en l'absence de code local, avec la norme sur le rangement et la manipulation des gaz de pétrole liquéfiés ANSI/NFPA 58 et du code pour l'installation du gaz naturel et du gaz propane CSA B149.1.

NE JAMAIS LAISSER LE CHAUFFAGE SANS SURVEILLANCE PENDANT LE BRÛLAGE!

AVERTISSEMENT : ESTOMPEMENT DE L'ODEUR

DANGER

Risque d'asphyxie

- Ne pas utiliser ce radiateur pour le chauffage des milieux de vie des humains.
- Ne pas utiliser dans des zones qui ne sont pas ventilées.
- La circulation d'air de combustion et de ventilation ne pas doit pas être obstruée.
- Une quantité suffisante d'air de ventilation doit être fournie pour soutenir les exigences en matière d'air de combustion du radiateur qui est utilisé.
- Se référer à la section des spécifications du manuel du radiateur, à la plaque signalétique du radiateur, ou communiquer avec le fabricant pour déterminer les exigences en matière d'air de combustion et de ventilation pour le radiateur.
- Un manque à fournir de l'air de ventilation en quantité suffisante peut causer une mauvaise combustion.
- Une mauvaise combustion peut causer un empoisonnement au monoxyde de carbone, et peut aussi causer des blessures graves ou la mort. Les symptômes d'un empoisonnement au monoxyde de carbone peuvent inclure des maux de tête, des étourdissements et une difficulté à respirer.

ODEUR DU CARBURANT GAZEUX

Le propane et le gaz naturel contiennent une odeur qui est produite artificiellement, ajoutée spécifiquement pour faciliter la détection des fuites de carburant gazeux. Si une fuite de gaz survient, vous devez être en mesure de sentir le carburant gazeux. Puisque le propane est plus lourd que l'air, on doit sentir l'odeur du gaz près du sol. TOUTE ODEUR DE GAZ CONSTITUE UN SIGNAL À L'EFFET DE PASSER IMMÉDIATEMENT À L'ACTION !

- Éviter toute action qui pourrait enflammer le carburant gazeux. Ne pas faire fonctionner un commutateur électrique. Ne pas retirer la pile de l'appareil. Ne pas débrancher un cordon d'alimentation ou une rallonge électrique. Ne pas allumer une allumette, un briquet ou quelque autre source de flamme. Ne pas utiliser votre téléphone.
- Faire évacuer immédiatement tout le monde de l'immeuble, et hors de la zone.
- Fermer tous les robinets des réservoirs de gaz propane, ou des cylindres de carburant, ou le robinet principal du carburant localisé près de votre compteur de gaz naturel.
- Le gaz propane est plus lourd que l'air, et il peut s'accumuler dans les zones basses et près du sol. Si vous avez une raison de suspecter une fuite de propane, restez loin de toute zone basse.
- Utiliser le téléphone d'un voisin et appeler votre fournisseur de carburant gazeux, et le service local des pompiers. Ne pas retourner dans l'immeuble ou dans la zone affecté.
- Rester hors de l'immeuble et loin de la zone jusqu'à ce que les lieux aient été déclarés sécuritaires par les pompiers, et par votre fournisseur de carburant gazeux.
- FINALEMENT, laisser le technicien de service du gaz et les pompiers vérifier

la fuite de gaz. Faire en sorte qu'ils ventilent l'immeuble et la zone avant d'y retourner. Uniquement du personnel de service qualifié peut effectuer la réparation d'une fuite, vérifier la présence d'autres fuites, et rallumer l'appareil pour vous.

ESTOMPEMENT DE L'ODEUR - AUCUNE ODEUR DÉTECTÉE

- Certaines personnes ne peuvent pas sentir correctement, et certaines personnes ne peuvent pas sentir l'odeur du produit chimique artificiel qui est ajouté au propane ou au gaz naturel. Vous devez déterminer si vous pouvez sentir l'odeur de ces carburants gazeux.
- Apprenez à reconnaître l'odeur du gaz propane et du gaz naturel. Le fournisseur local de gaz sera plus qu'heureux de vous fournir un dépliant de type « gratter et sentir » que vous pouvez utiliser pour devenir familier avec l'odeur du carburant gazeux.
- Fumer peut diminuer votre capacité à bien sentir les odeurs. Le fait de se trouver en présence d'une odeur pendant une longue période de temps peut affecter votre sensibilité à cette odeur particulière. Les odeurs présentes dans des immeubles où sont confinés des animaux peuvent masquer l'odeur du carburant gazeux.
- L'agent odorant dans le gaz propane et le gaz naturel est sans couleur, et l'intensité de son odeur peut s'estomper dans certaines circonstances.
- Dans le cas d'une fuite souterraine, le mouvement du gaz au travers de la terre peut filtrer l'agent odorant.
- L'odeur du gaz propane peut différer en intensité selon les divers niveaux. Puisque le gaz propane est plus lourd que l'air, l'odeur peut être plus forte dans les niveaux inférieurs et près du sol.
- Soyez toujours sensibles à l'odeur du gaz, même la plus minime. Si vous continuez à détecter une odeur du gaz, sans égard au fait qu'elle soit faible, vous devez traiter cette condition comme une fuite grave et passer immédiatement aux actions discutées précédemment.

ATTENTION - POINTS CRITIQUES À SE RAPPELER

- Le gaz propane comporte une odeur distinctive. Il est important d'apprendre à reconnaître cette odeur. (Se référer aux sections sur l'odeur du carburant gazeux, et sur l'estompeMENT de l'odeur, ci-dessus).
- Même si vous n'êtes pas formé adéquatement pour le service et la réparation du radiateur, soyez TOUJOURS consciemment au fait de toute odeur de gaz propane et de gaz naturel.
- Si vous n'avez pas été formé adéquatement pour la réparation et le service du gaz propane, ne pas tenter d'allumer le radiateur, d'effectuer un service ou une réparation, ou de faire quelque ajustement au radiateur ou sur le système d'alimentation en gaz propane.
- La bonne pratique dans toutes les conditions consiste à faire un test périodiquement de détection d'odeur, près de tous les joints du radiateur; c'est à dire près du boyau, des connexions, etc. Si vous sentez ne serait-ce qu'une très légère odeur de gaz, COMMUNIQUEZ IMMÉDIATEMENT AVEC VOTRE FOURNISSEUR DE GAZ. N'ATTENDEZ PAS !

PRÉPARATION POUR L'OPÉRATION

1. Inspecter le radiateur pour la présence possible de dommage survenu pendant l'expédition. Si un dommage est découvert, communiquer immédiatement avec le fabricant.
2. Charger (se référer à la section portant sur la procédure de recharge de la pile) et installer la pile dans la cavité qui se trouve sous l'ouverture à l'avant ou connectez le radiateur à 120 VCA à l'arrière du radiateur à l'aide d'une rallonge.
3. Respecter toutes les précautions et les mises en garde.
4. Connecter le raccord POL de l'ensemble de boyau et régulateur au cylindre de propane, en pivotant l'écrou POL en sens antihoraire dans la sortie du robinet du cylindre de propane, et le fixer solidement à l'aide d'une clé.
5. Connecter le boyau au radiateur en pivotant le raccord du boyau en sens horaire.
6. Serrer solidement toute les connexions de gaz.
7. Ouvrir lentement la vanne de gaz du cylindre, et vérifier toutes les connexions de gaz avec une solution à base d'eau et de savon, en cherchant la présence de bulles qui indiquerait une fuite de gaz. Remarque : Si le robinet du réservoir n'est pas ouvert lentement, la soupape de limitation du débit sur le réservoir de propane pourrait couper le gaz. NE PAS UTILISER UNE FLAMME.
8. Fermer la vanne du cylindre de gaz propane.

DÉMARRAGE :

1. Le radiateur DXH70CFAV est équipé d'un commutateur du ventilateur de soufflante, localisé sur le panneau de commande du radiateur. Appuyer sur le commutateur marche/arrêt (on/off) pour démarrer le ventilateur de soufflante. Après avoir allumé le ventilateur, le témoin à DEL verte sur le panneau de commande s'illuminera de manière constante, pour indiquer que le ventilateur est en marche. Le ventilateur de soufflante doit être mis en marche avant de presser sur la vanne de gaz/l'allumeur pour allumer le radiateur. **AVIS : LA VANNE DE CARBURANT (BOUTON NOIR) COMPORTE UN VERROUILLAGE DE SÉCURITÉ ET ON NE PEUT PAS L'ENFONCER AVANT QU'UN DÉLAI DE 3 SECONDES SE SOIT ÉCOULÉ APRÈS AVOIR DÉMARRÉ LE VENTILATEUR.**
2. Ouvrir lentement la vanne de gaz du cylindre. Remarque : Si le robinet du réservoir n'est pas ouvert lentement, la soupape de limitation du débit sur le réservoir de propane pourrait couper le gaz. Si cela survient, fermer le robinet d'alimentation en gaz et le rouvrir lentement. Attendre 15 secondes avant de passer à l'étape 3.
3. Après que le ventilateur de soufflante soit démarré, pour allumer le radiateur presser LENTEMENT le bouton noir de la vanne du gaz/l'allumeur localisé sur le panneau de commande. Si le radiateur n'allume pas, relâcher le bouton noir et répéter cette étape. Garder la vanne enfoncée pendant 30 à 60 secondes, après l'allumage du brûleur, puis relâcher, et le radiateur continuera à fonctionner. Si le brûleur s'éteint, attendre 20 secondes avant de répéter ces étapes.

AVIS : Ce radiateur est équipé d'un verrouillage de sécurité à solénoïde qui empêche d'appuyer sur la vanne de gaz jusqu'à ce que le radiateur soit allumé et que le ventilateur soit en marche. Ce système accorde un délai de 15 secondes pour les tentatives d'allumage. Après 15 secondes, le radiateur doit être réinitialisé pour effectuer des tentatives additionnelles. Pour le réinitialiser, appuyer sur le commutateur marche/arrêt (on/off). ARRÊTER

1. Appuyer sur le commutateur marche/arrêt (on/off) pour éteindre le radiateur.
2. Éteignez l'alimentation en gaz du cylindre lorsque le réchauffeur n'est pas utilisé.

VERROUILLAGE EN CAS DE PILE FAIBLE

Ce radiateur est équipé avec un dispositif de verrouillage en cas de pile faible, qui empêche son fonctionnement si le voltage de la pile est trop bas.

SYSTÈME DE SURVEILLANCE DE FONCTIONNEMENT DU RADIATEUR

Cet appareil est équipé avec un système de surveillance du ventilateur. Ce système s'assure que le ventilateur/la soufflante fonctionne correctement. Si le témoin lumineux à DEL clignote deux fois pour indiquer un code d'erreur, c'est pour indiquer que le ventilateur ne fonctionne pas correctement, et qu'un service ou un ajustement est requis. Cela peut survenir dans les cas suivants:

- Blocage ou contamination de l'entrée du ventilateur (présence de poussière de cloison sèche, etc.)
- Rotor bloqué du ventilateur (quelque chose empêche le ventilateur de tourner)
- Seuil de vitesse minimale détecté
- Défaillance d'une composante du ventilateur
- Vents forts ou rafale de vent

ENTRETIEN ET RANGEMENT

1. Le radiateur doit être inspecté avant chaque utilisation, et au moins une fois par année, par une personne qualifiée.
2. Avant chaque utilisation, vérifiez le siège du joint torique souple du bout arrondi du raccord POL. Si le joint torique est coupé, égratigné, ou qu'il présente d'autres dommages, le remplacer par l'article portant le numéro de pièce F273786.
3. Couper le gaz au(x) cylindre(s) d'alimentation en gaz quand le radiateur n'est pas utilisé.
4. Quand le radiateur doit être rangé à l'intérieur, la connexion entre le(s) cylindre(s) d'alimentation en gaz propane et le radiateur doit être déconnectée, et le ou les cylindres doivent être retirés du radiateur, et rangés hors des portes et conformément au chapitre 5 de la norme sur le rangement et la manipulation des gaz de pétrole liquéfiés ANSI/NFPA 58, et au code pour l'installation du gaz naturel et du gaz propane CSA B149.1.

NE JAMAIS LAISSER LE CHAUFFAGE SANS SURVEILLANCE PENDANT LE BRÛLAGE!

SERVICE

Une condition dangereuse peut survenir si un radiateur est utilisé alors qu'il a été modifié ou qu'il ne fonctionne pas correctement. Quand le radiateur fonctionne correctement... :

- La flamme est contenue dans le radiateur.
- La flamme est essentiellement bleue, possiblement avec des pointes jaunes.
- Il n'y a pas de d'odeur désagréable forte, de brûlement des yeux ni d'autre inconfort physique.
- Il n'y a pas de fumée ou de suie à l'intérieur ou à l'extérieur du radiateur.
- Il n'y a pas d'extinction imprévue ou non-planifiée du radiateur.

La liste des pièces et la vue éclatée montrent le radiateur tel qu'il a été construit. Ne pas utiliser un radiateur qui serait différent de ce qui est illustré.

En cette matière, il est important d'utiliser uniquement le boyau, le régulateur et le raccord de connexion au cylindre (appelé communément un raccord POL) qui sont fournis avec le radiateur. **IMPORTANT** : Appairer la bande de couleur (sur l'étiquette à fil fixée sur l'ensemble de boyau) avec la couleur sur l'étiquette localisée près du raccord d'entrée de propane, sur le radiateur. Ne pas utiliser d'autres alternatives. En cas d'incertitude concernant le régulateur, le faire vérifier ou remplacer par celui qui est indiqué dans la liste des pièces dans ce manuel. Un radiateur qui ne fonctionne pas bien doit être réparé, mais uniquement par un technicien de service formé et expérimenté. Les produits sous garantie seront réparés sans frais pour tout vice de pièce ou de main-d'œuvre. Veuillez inclure un court énoncé décrivant la date et le lieu de l'achat, la nature du problème, et joindre une copie d'une preuve d'achat. Les produits qui ne sont plus sous garantie seront réparés moyennant des frais pour les pièces, la main-d'œuvre et l'expédition. Si un service ou une réparation est requis, nous recommandons de rapporter votre radiateur à un centre de service autorisé.

Lors du service ou du remplacement des piles, noter ce qui suit :

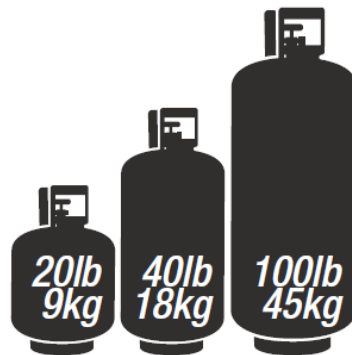
- Ne pas effectuer un service sur le radiateur alors que la pile est connectée.
- Ne pas faire fonctionner un radiateur endommagé.
- Utiliser uniquement le même type de pile que celui d'origine DeWALT.
- Ne pas jeter les piles dans un feu. Ses cellules peuvent exploser. Voir « l'information sur le recyclage des piles » ci-dessous.
- Ne pas ouvrir ou mutiler les piles. Le dégagement de leur électrolyte est corrosif, et il peut blesser les yeux et la peau. Il peut aussi être toxique si ingéré.
- Lors de la manipulation des piles, prendre grand soin de ne pas créer un court-circuit entre la pile et des matériaux conducteurs comme des bagues, bracelets et/ou des clefs. La pile et/ou le conducteur peuvent surchauffer et causer des brûlures.

TAILLE ET CAPACITÉ REQUISES POUR LES CYLINDRES DE PROPANE

Le tableau suivant indique les durées de fonctionnement approximatives des diverses tailles de cylindre adéquates pour utilisation avec ces radiateurs.

Tous les radiateurs devraient avoir : Des cylindres pleins, une bonne circulation d'air et ne pas avoir de givre sur les cylindres.

Les durées réelles de fonctionnement varient selon les températures, et les variations dans les réservoirs, les durées de fonctionnement que vous expérimentez peuvent être plus longues ou plus courtes. Les durées de fonctionnement énoncées ci-dessous servent à l'estimation de la consommation et des capacités de durée de fonctionnement du réservoir d'alimentation en gaz propane. Les temps de fonctionnement du radiateur dépendront de la pile Dewalt qui est utilisée. Pour plus d'informations, communiquer avec le service de soutien aux clients, au numéro listé dans ce manuel.

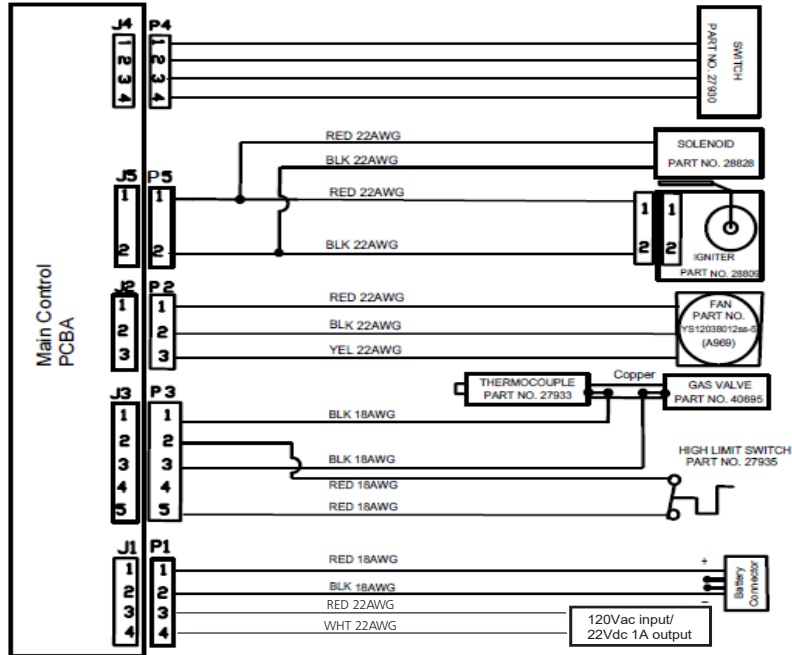


Durée de fonctionnement (haute - basse puissance)			
BTU/HR	20lb (9kg)	40lb (18kg)	100lb (45kg)
68,000	6,17 heures	12,34 heures	30,84 heures
27,000	14,39 heures	28,79 heures	71,97 heures

CAPACITÉ REQUISE EN BTU/H				
Superficie en pieds cubes d'espace à chauffer	Augmentation de température requise			
	20	30	40	50
5,000	14,000	20,000	27,999	34,000
7,000	19,000	28,000	38,000	47,000
10,000	27,000	40,000	54,000	67,000
15,000	40,000	60,000	80,000	100,000

SCHÉMA DE CÂBLAGE DXH70CFAV

Si l'un des fils d'origine fournis avec l'unité doit être remplacé, il doit être remplacé par un fil 18AWG / 600V / 105C ou son équivalent.



NE JAMAIS LAISSER LE CHAUFFAGE SANS SURVEILLANCE PENDANT LE BRÛLAGE!

PRÉCAUTIONS ÉLECTRIQUES

DOUBLE ISOLATION

Les produits double-isolés ne doivent pas être reliés à la terre. Un cordon d'alimentation à trois fils relié à la terre n'est pas nécessaire pour un fonctionnement sûr. Toutes les pièces métalliques exposées sont isolées du moteur et du châssis internes en métal.

⚠ AVERTISSEMENT: Le système double isolé est destiné à protéger l'utilisateur contre les chocs électriques résultant d'une défaillance des câbles internes du produit. Respectez toutes les précautions normales pour éviter tout choc électrique.

REMARQUE: L'entretien d'un produit comportant une double isolation nécessite un soin extrême et une connaissance du système et doit être effectué par un technicien qualifié. Pour le service, nous vous suggérons de renvoyer le produit à votre centre de service agréé pour la réparation. Toujours utiliser des pièces de rechange originales lors de l'entretien.

RACCORDEMENT ÉLECTRIQUE

Ce produit doit être connecté à une alimentation de 120 volts, C.a. seulement (courant résidentiel standard), 60 Hz. Ne pas utiliser ce produit sur courant continu (C.c.) à travers le cordon d'alimentation. Une chute de tension importante provoquera une perte de puissance et la surchauffe du moteur. Si le produit ne fonctionne pas lorsqu'il est branché sur une prise, vérifiez l'alimentation électrique.

RALLONGES

Lorsque vous utilisez un produit à une distance considérable d'une source de puissance, n'oubliez pas d'utiliser une rallonge électrique qui a la capacité de gérer le courant que nécessite le produit. Un cordon sous dimensionné va causer une baisse de tension, ce qui entraînera une surchauffe et une perte de puissance. Utilisez le tableau pour déterminer le calibre minimal requis pour une rallonge. Seulement les cordons ronds avec enveloppe homologués par Underwriters Laboratories (UL) devraient être utilisés.

Lorsque vous utilisez ce produit à l'extérieur, utilisez une rallonge électrique qui est conçue pour un usage extérieur. Ce type de cordon est désigné « WA » ou « W » sur l'enveloppe du cordon.

Avant d'utiliser une rallonge, inspectez-le pour des fils lâches ou exposés et une isolation coupée ou usée.

**Intensité nominale (sur la plaque signalétique du produit)

Ampères (A)	0-2,0	2,1-3,4	3,5-5,0	5,1-7,0	7,1-12,0	12,1-16,0
Longueur du cordon	Taille de fil: Calibre américain (AWG)					
25 pi	16	16	16	16	14	14
50 pi	16	16	16	14	14	12
100 pi	16	16	14	12	10	-

**Utilisé sur calibre 12 - circuit de ampères

⚠ AVERTISSEMENT: Gardez la rallonge à l'extérieur de la zone de travail. Positionnez le cordon afin qu'il ne se coince pas sur le bois, les outils ou d'autres obstacles pendant que vous travaillez avec ce produit. Le non-respect de cette consigne peut entraîner des blessures corporelles graves.

⚠ AVERTISSEMENT: Vérifiez les rallonges avant chaque utilisation. Si endommagé remplacez immédiatement. N'utilisez jamais un produit avec un cordon endommagé puisque le contact avec la zone endommagée pourrait causer un choc électrique entraînant des blessures graves.

⚠ AVERTISSEMENT: Pour réduire le risque de choc électrique, n'utiliser le produit qu'avec une rallonge pour usage extérieur, comme une rallonge de type SW-A, SOW-A, STW-A, STOW-A, SJW-A, SJOW-A, SJTW-A, or SJTOW-A.

INSTRUCTIONS IMPORTANTES DE SÉCURITÉ POUR TOUS LES CHARGEURS DE PILE

CONSERVER CES INSTRUCTIONS: Ce manuel contient des instructions importantes pour la sécurité et le fonctionnement des chargeurs de pile.

- Avant d'utiliser le chargeur, lire attentivement toutes les instructions et les marquages d'avertissement sur le chargeur, sur le bloc-piles et sur le produit qui utilise le bloc-piles.

⚠ AVERTISSEMENT : Risque de choc électrique. Ne pas laisser un liquide entrer à l'intérieur du chargeur, car cela peut causer un choc électrique.

⚠ AVERTISSEMENT : Risque de brûlure. Pour réduire les risques de blessure, charger seulement les blocs piles rechargeables de marque DEWALT.

⚠ ATTENTION : Les autres types de pile peuvent surchauffer et exploser, et causer des blessures et des dommages à la propriété.

AVIS : Sous certaines conditions, avec un chargeur branché dans la source d'alimentation, le chargeur peut être placé en court-circuit par un contact avec des corps étrangers.

Des corps étrangers de nature conductrice, tel que, mais sans s'y limiter, de la poussière de meulage, des copeaux de métal, de la laine d'acier, du papier d'aluminium ou toute accumulation de particules métalliques doivent être gardés éloignés des cavités du chargeur. Toujours débrancher le chargeur de la source d'alimentation quand il n'y a pas de bloc-piles dans la cavité. Débrancher le chargeur avant de tenter de le nettoyer.

⚠ AVERTISSEMENT :

- **NE PAS tenter de charger le bloc-piles avec un autre chargeur que ceux qui sont décrits dans ce manuel.** Le chargeur et le bloc-piles sont conçus spécifiquement pour fonctionner ensemble.
- **Ces chargeurs ne sont pas conçus pour un autre usage que la recharge des piles rechargeables DeWALT.** Toute autre utilisation peut causer un risque d'incendie, un choc électrique ou une électrocution.
- **Ne pas exposer le chargeur à la pluie ou la neige.**
- **Pour déconnecter le chargeur, tirer sur la fiche plutôt que sur le cordon.** Cela diminue le risque d'endommager la fiche et le cordon électrique.
- **S'assurer que le cordon soit localisé de sorte qu'on ne puisse pas marcher dessus, se déplacer par-dessus ou qu'il soit sujet autrement à un dommage ou à un stress.**
- **Ne pas utiliser de rallonge électrique, à moins que cela ne soit absolument nécessaire.** L'utilisation d'une rallonge électrique inadéquate peut causer un risque d'incendie, de choc électrique ou d'électrocution.
- **Lors de l'utilisation d'un chargeur à l'extérieur, il faut toujours le placer dans un endroit au sec et utiliser une rallonge électrique adéquate pour un usage à l'extérieur.** L'utilisation d'une rallonge adéquate pour usage extérieur réduit le risque de choc électrique.

- **La rallonge électrique doit comporter la bonne taille de fil (calibre AWG) pour votre sécurité.** Plus le chiffre du calibre est petit, plus grande est la capacité du câble, c'est à dire qu'un calibre de 16 offre une capacité de courant plus grande qu'un calibre 18. Un cordon qui ne serait pas de capacité suffisante occasionne une perte de tension dans le fil, qui crée une perte de puissance et la surchauffe. Si on doit utiliser plus d'une rallonge pour couvrir la longueur totale, s'assurer que chaque rallonge individuelle comporte au moins le calibre de fil minimal requis. Le tableau suivant indique le calibre approprié à utiliser selon la longueur de la rallonge, et de la capacité de courant indiqué sur la plaque signalétique. En cas de doute, utiliser un fil de calibre plus fort. Plus le numéro du calibre est bas, et plus le cordon peut soutenir de courant.
- **Ne pas placer d'objet sur le dessus du chargeur, ni placer le chargeur sur une surface molle qui pourrait bloquer les fentes de ventilation, et causer une surchauffe interne.** Garder le chargeur éloigné de toute source de chaleur. Le chargeur est ventilé par les fentes sur le dessus et sur le dessous de son boîtier.
- **Ne pas faire fonctionner le chargeur avec un cordon ou une fiche endommagée.**
- **Ne pas faire fonctionner le chargeur s'il a reçu un coup important, s'il a chuté ou s'il a été endommagé autrement de quelque manière.** Il faut alors le faire réparer dans un centre de service autorisé.
- **Ne pas démonter le chargeur; il faut le porter dans un centre de service autorisé si un service ou une réparation est requis.** Un réassemblage incorrect peut causer un risque de choc électrique, d'électrocution ou d'incendie.
- **Déconnecter le chargeur de la prise de courant avant de tenter de le nettoyer.** Cela diminue le risque de choc électrique. Le retrait du bloc-piles ne réduira pas ce risque.
- **NE JAMAIS tenter de connecter 2 chargeurs ensemble.**
- **Le chargeur est conçu pour fonctionner sur une alimentation électrique domestique standard à 120 V. Ne pas tenter de l'utiliser avec un autre voltage.** Ceci ne s'applique pas à un chargeur conçu pour usage de recharge dans un véhicule.

Notices réglementaires

- Cet appareil numérique de Classe B est conforme à la norme canadienne ICES-003.
- Cet appareil est conforme à la section 15 des règles de la FCC et des normes RSS d'Industrie Canada pour un appareil libre de licence. Son opération est assujettie aux deux conditions suivantes :

NE JAMAIS LAISSER LE CHAUFFAGE SANS SURVEILLANCE PENDANT LE BRÛLAGE!

- 1) Cet appareil ne peut pas causer d'interférence nuisible, et
- 2) Cet appareil doit pouvoir accepter toute interférence reçue, incluant une interférence qui pourrait causer un fonctionnement non-voulu.

- Tout changement ou modification qui ne serait pas approuvé expressément par la partie responsable de sa conformité peut annuler l'autorité de l'utilisateur de faire fonctionner cet équipement. REMARQUE : Cet équipement a été testé et réputé conforme aux limites pour un appareil numérique de Classe B, en relation avec la section 15 de la réglementation FCC. Ces limites sont conçues pour fournir une protection raisonnable contre les interférences nuisibles dans une installation résidentielle. Cet équipement génère, utilise et peut irradier de l'énergie en radiofréquence et, s'il n'est pas installé conformément à ces instructions, il peut causer des interférences nuisibles aux radiocommunications. Toutefois, il n'y a aucune garantie à l'effet que cette interférence ne surviendra pas dans une installation particulière. Si cet équipement cause une interférence nuisible à la réception radiophonique ou télévisuelle, ce qui peut être déterminé en allumant et en éteignant l'équipement, l'utilisateur est encouragé à tenter de corriger cette interférence par un des moyens suivants :

- Réorienter ou relocaliser l'antenne de réception.
- Augmenter la séparation entre l'équipement et le récepteur.
- Connecter l'équipement dans une prise de courant d'un circuit différent de celui dans lequel le récepteur est connecté.
- Consulter votre détaillant ou un technicien expérimenté en radio/TV pour de l'aide.

Introduction

Les chargeurs de pile DCB107 et DCB115 (figure 1) sont conçus pour la recharge des blocs piles aux ions de lithium, de 12 à 20 V maximum*. Ce chargeur ne nécessite aucun ajustement et il est conçu pour être aussi facile à opérer que possible. Placer simplement votre bloc-piles dans le réceptacle du chargeur alimenté, et il chargera les piles automatiquement. Consulter le tableau à la fin de ce manuel pour la compatibilité des chargeurs et des blocs piles.

INSTRUCTIONS IMPORTANTES DE SÉCURITÉ POUR TOUS LES BLOCS PILES

Lors de la commande d'un bloc-piles de rechange, s'assurer d'inclure le numéro de catalogue et le voltage. Consulter le tableau à la fin de ce manuel pour la compatibilité des chargeurs et des blocs piles. Le bloc-piles n'est pas entièrement chargé quand on le sort de son emballage. Avant d'utiliser le

bloc-piles et le chargeur, lire les instructions de sécurité ci-dessous, et suivre les procédures décrites pour la recharge.

LIRE ATTENTIVEMENT TOUTES LES INSTRUCTIONS

⚠ AVERTISSEMENT :

- **Ne pas charger ou utiliser le bloc-piles dans une atmosphère explosive, telle qu'en présence de liquides, de gaz ou de poussières inflammables.** L'insertion ou le retrait d'un bloc-piles du chargeur peut enflammer ces poussières ou ces émanations.
 - **NE JAMAIS forcer le bloc-piles pour le rentrer dans le chargeur. NE PAS modifier le bloc-piles de quelque manière pour l'adapter dans un chargeur incompatible, car le bloc-piles pourrait se briser et causer des blessures graves.** Consulter le tableau à la fin de ce manuel pour la compatibilité des chargeurs et des blocs piles.
 - Charger les blocs piles seulement dans des chargeurs DeWALT spécialement désignés.
 - **NE PAS** asperger d'eau ou immerger dans l'eau ou d'autres liquides.
 - **Ne pas ranger ou utiliser l'outil et le bloc-piles dans des endroits où la température peut atteindre ou dépasser 104°F (40°C) par exemple, un abri ou un bâtiment en métal en plein été.** Pour favoriser une meilleure durée de vie utile des blocs piles, les ranger dans un endroit frais et sec.
- REMARQUE : Ne pas ranger le bloc-piles dans un outil dont la gâchette serait bloquée en marche. Ne jamais bloquer avec du ruban adhésif ou autrement, le commutateur/la gâchette en position de marche.**

⚠ **AVERTISSEMENT : Risque d'incendie.** Ne jamais tenter d'ouvrir le bloc-piles pour quelque motif. Si le boîtier du bloc-piles est craquelé ou endommagé, ne pas l'insérer dans le chargeur. Ne pas écraser, laisser tomber ou endommager le bloc-piles. Ne pas utiliser un bloc-piles ou un chargeur qui aurait subi un fort choc, qui aurait chuté, sur lequel on aurait marché dessus ou qui serait endommagé de quelque manière (par exemple, percé avec un clou, heurté par un marteau, etc.). Tout bloc-piles endommagé doit être retourné au centre de service pour recyclage.

⚠ **AVERTISSEMENT : Risque d'incendie. Ne pas ranger ou transporter le bloc-piles de sorte que des objets métalliques puissent entrer en contact avec les terminaux exposés de la pile.** Par exemple, ne pas placer le bloc-piles dans un tablier, une poche, un coffre à outils, le coffret d'un ensemble de produit, un tiroir, etc., avec des clous, des vis, des clefs ou autres objets similaires qui seraient lâches ou en vrac. Le transport des piles pourrait causer un incendie si les terminaux de la pile entrent en contact par inadvertance avec un matériau

NE JAMAIS LAISSER LE CHAUFFAGE SANS SURVEILLANCE PENDANT LE BRÛLAGE!

conducteur comme des clés, de la monnaie, des outils à main et d'autres objets semblables. La réglementation sur les matières dangereuses du département américain du transport interdit expressément le transport des piles dans un véhicule de transport commercial, ou dans un avion (par exemple, emballé dans une valise et dans les bagages à main) À MOINS qu'elles soient correctement protégées contre les courts-circuits. Ainsi, lors du transport de blocs piles individuels, il faut s'assurer que les terminaux de la pile soient protégés et bien isolés contre tout matériau qui pourrait entrer en contact avec les terminaux et causer un court-circuit.

INSTRUCTIONS SPÉCIFIQUES DE SÉCURITÉ POUR LES PILES AUX IONS DE LITHIUM

- **Ne jamais incinérer le bloc-piles, même s'il a été gravement endommagé ou qu'il est entièrement épuisé.** Le bloc-piles peut exploser dans un incendie. Des émanations et des matériaux toxiques sont créés lors de la combustion des blocs piles aux ions de lithium.
- **Si le contenu de la pile entre en contact avec la peau, laver immédiatement la zone affectée à l'eau et au savon doux.** Si le liquide de la pile entre en contact avec les yeux, rincer les yeux à l'eau claire pendant 15 minutes ou jusqu'à ce que cesse l'irritation. Si un recours à un médecin était requis, noter que l'électrolyte de la pile est composé d'un mélange de carbonates organiques liquides et de sels de lithium.
- **Le contenu d'une cellule de pile ouverte peut causer une irritation des voies respiratoires.** mener la personne à l'air frais. Si les symptômes persistent, consulter un médecin.

⚠ AVERTISSEMENT : Risque de brûlure. Le liquide contenu dans la pile peut s'enflammer s'il est exposé à une étincelle ou à une flamme.

Le sceau RBRC^{MD}

Le sceau RBRC^{MD} (corporation pour le recyclage des piles rechargeables) qui se trouve sur les piles (ou sur les blocs piles) au nickel cadmium, nickel et métal hydride ou aux ions de lithium indique que le coût de recyclage de ces piles (ou blocs piles) à la fin de leur vie utile a déjà été payé par DeWALT. Dans certaines régions, il est illégal de placer des piles au nickel cadmium, nickel et métal hydride ou aux ions de lithium dans les poubelles ou dans une déchèterie municipale, et le programme Call 2 RecycleMD propose une alternative soucieuse de l'environnement.

Call 2 Recycle, Inc., en coopération avec DeWALT et d'autres utilisateurs de piles, ont établi leur programme aux États-Unis et au Canada pour faciliter la collecte des piles usées au nickel cadmium, nickel et métal hydride ou aux ions de lithium. Contribuez à protéger l'environnement et à conserver les ressources naturelles en retournant vos piles usées au nickel cadmium, nickel et métal hydride ou aux ions



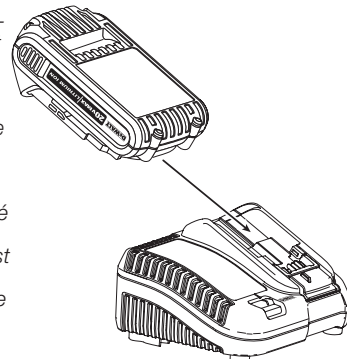
de lithium à un centre de service autorisé DeWALT ou chez votre détaillant local pour recyclage. Vous pouvez aussi communiquer avec votre centre local de recyclage pour de l'information sur les endroits où déposer vos piles usées. RBRC^{MD} est une marque de commerce déposée de Call 2 Recycle, Inc.

Chargeur

S'assurer de lire attentivement toutes les instructions de sécurité avant d'utiliser votre chargeur. Consulter le tableau à la fin de ce manuel pour la compatibilité des chargeurs et des blocs piles.

Recharge d'une pile (figure 1)

1. Brancher le chargeur dans une prise appropriée selon les données de la figure 1 avant d'insérer le bloc-piles.
2. Insérer le bloc-piles dans le chargeur, et s'assurer qu'il soit complètement inséré dans le chargeur. Le témoin lumineux rouge (recharge) clignotera continuellement pour indiquer que le processus de recharge est lancé.
3. L'achèvement de la charge sera indiqué par le témoin lumineux rouge qui s'illuminera en continu. Le bloc-piles est alors pleinement chargé et il peut être utilisé dès maintenant, ou laissé dans le chargeur.



REMARQUE: Pour assurer une performance et la durée de vie maximales des blocs piles aux ions de lithium, charger le bloc-piles complètement avant sa première utilisation.

NE JAMAIS LAISSER LE CHAUFFAGE SANS SURVEILLANCE PENDANT LE BRÛLAGE!




Fonctionnement du chargeur

Se référer aux indicateurs ci-dessous pour le statut de charge du bloc-piles.

* Le témoin lumineux rouge clignotera en continu, mais un témoin lumineux jaune sera illuminé pendant cette opération. Quand le bloc-piles aura atteint une température appropriée, le témoin lumineux jaune s'éteindra, et le chargeur relancera la procédure de recharge.

Le chargeur n'effectuera pas la recharge d'un bloc-piles défectueux. Le chargeur

CHARGE INDICATORS

	CHARGING	--- ---	
	FULLY CHARGED	————	
	HOT/COLD PACK DELAY	--- ---	

REMARQUE: Cela pourrait aussi indiquer un problème de chargeur. Si le chargeur indique un problème, faire tester le chargeur et le bloc-piles dans un centre de service autorisé.

DÉLAI POUR TROP CHAUD/FROID

Quand le chargeur détecte un bloc-piles qui est trop chaud ou trop froid, il démarrera automatiquement un délai pour trop chaud/froid, et suspendra la recharge jusqu'à ce que le bloc-piles ait atteint une température appropriée. Le chargeur passera alors automatiquement en mode de recharge. Cette fonction permet d'assurer une durée de vie maximale du bloc-piles.

Un bloc-piles froid rechargera plus lentement qu'un bloc-piles chaud. Le bloc-piles chargera plus lentement tout au long du cycle entier de recharge et ne débitera pas un taux de charge maximal, même si le bloc-piles se réchauffe.

BLOCS PILES AUX IONS DE LITHIUM SEULEMENT

Les outils aux ions de lithium sont conçus avec un système de protection électronique qui protège le bloc-piles contre la surcharge, la surchauffe et la décharge profonde. L'outil s'éteindra automatiquement si le système de protection électronique s'engage. Si cela survient, placer le bloc-piles aux ions de lithium dans le chargeur, et attendre qu'il soit rechargé complètement.

Notes importantes concernant la recharge

1. On obtient la durée de vie la plus longue et la meilleure performance si le bloc-piles est rechargé à une température ambiante entre 65 et 75°F (18° et 24°C). NE PAS recharger le bloc-piles si la température ambiante est inférieure à 40°F (4,5°C), ou supérieure à 104°F (40°C). Ceci est très important et permet

d'éviter des dommages graves au bloc-piles.

2. Le chargeur et le bloc-piles peuvent devenir chauds au toucher durant la recharge. C'est une condition normale, et cela n'indique pas qu'il y ait un problème. Pour faciliter le refroidissement du bloc-piles après usage, éviter de placer le chargeur ou le bloc-piles dans un environnement chaud, comme une remise en métal ou une remorque qui n'est pas climatisée.
3. Si le bloc-piles ne se recharge pas correctement :
 - Vérifier le bon fonctionnement de la prise de courant en y branchant une lampe ou un autre appareil;
 - Vérifier si la prise de courant est contrôlée par un interrupteur qui coupe le courant quand on éteint la lumière;
 - Déplacer le chargeur et le bloc-piles vers un endroit où la température ambiante est approximativement de 65 à 75°F (18 à 24°C);
 - Si le problème de recharge persiste, apporter l'outil, le bloc-piles et le chargeur pour vérification à votre centre de service local.
4. Le bloc-piles doit être rechargé quand il failait à fournir suffisamment de puissance pour effectuer des travaux qu'il supportait antérieurement. NE PAS CONTINUER À L'UTILISER dans ces conditions. Suivre la procédure de recharge. Il est aussi possible d'effectuer une recharge partielle d'un bloc-piles qui a été utilisé partiellement, si on veut éviter un effet adverse sur le bloc-piles.
5. Des corps étrangers de nature conductrice, tel que, mais sans s'y limiter, de la poussière de meulage, des copeaux de métal, de la laine d'acier, du papier d'aluminium ou toute accumulation de particules métalliques doivent être gardés loin des cavités du chargeur. Toujours débrancher le chargeur de la source d'alimentation quand il n'y a pas de bloc-piles dans la cavité. Débrancher le chargeur avant de tenter de le nettoyer
6. Ne pas faire geler ni immerger le chargeur dans de l'eau ni autre liquide.
⚠️ AVERTISSEMENT: Risque de choc électrique. Ne pas laisser un liquide entrer à l'intérieur du chargeur, car cela peut causer un choc électrique.
⚠️ AVERTISSEMENT: Risque de brûlure. Ne pas immerger le bloc-piles dans du liquide ni laisser un liquide entrer dans le bloc-piles. Ne jamais tenter d'ouvrir le bloc-piles pour quelque motif. Si le boîtier en plastique du bloc-piles est brisé ou craquelé, le rapporter à un centre de service pour recyclage.

MONTAGE MURAL

Ces chargeurs sont conçus pour un montage mural ou pour être placés en position debout sur une table ou sur une surface de travail. Dans le cas d'un montage mural, localiser le chargeur à portée d'une prise de courant, et loin d'un coin ou de toute obstruction qui pourrait nuire à la circulation de l'air. Utiliser l'arrière du chargeur comme gabarit pour l'emplacement des vis de

montage au mur. Fixer le chargeur solidement en utilisant des vis à cloison sèche (achetées séparément) d'une longueur minimale de 1 po (25,4 mm), avec un diamètre de la tête de vis de 0,28 à 0,35 po (7 à 9 mm), vissées dans le bois à une profondeur optimale qui laisserait environ 7/32 po (5,5 mm) de la vis exposée. Aligner les fentes sur l'arrière du chargeur avec les vis exposées, et les engager complètement dans les fentes.

Instructions de nettoyage du chargeur

⚠ AVERTISSEMENT: Risque de choc électrique. Déconnecter le chargeur de la prise de courant alternatif avant de le nettoyer. La saleté et la graisse peuvent être enlevées de l'extérieur du chargeur, à l'aide d'un chiffon ou d'une brosse souple non-métallique. Ne pas utiliser d'eau ni d'autre solution de nettoyage. Recommandations pour le rangement

1. Le meilleur endroit pour le rangement est au frais et au sec, loin des rayons directs du soleil et de toute chaleur ou du froid excessif.
2. Pour un rangement à long terme, il est recommandé de ranger le bloc-piles quand il est entièrement chargé, dans un endroit frais et sec, pour assurer les meilleurs résultats avec le chargeur.

REMARQUE: Les blocs piles ne doivent pas être rangés alors que leur charge est complètement épuisée. Le bloc-piles doit être rechargé avant usage.

CONSERVER CES INSTRUCTIONS POUR USAGE ULTÉRIEUR

Réparations

Aucun service ne peut être fait sur le chargeur et sur le bloc-piles. Il n'y a aucune pièce qui puisse être réparée à l'intérieur du chargeur ou du bloc-piles.

LIRE TOUTES LES INSTRUCTIONS DANS LA SECTION DU CHARGEUR DE PILE DE CE MANUEL AVANT DE TENTER DE RECHARGER LE BLOC-PILES POUR VOTRE OUTIL.

Pour toute question, appelez-nous au 1-800-4-DeWALT (1-800-433-9258). Enregistrement en ligne.

Nous vous remercions pour votre achat. Veuillez enregistrer votre produit dès maintenant pour bénéficier des avantages suivants :

- **SERVICE SOUS GARANTIE:** L'enregistrement de votre produit vous aidera à obtenir un service sous garantie plus efficace, en cas de problème avec votre produit
- **CONFIRMATION DE PROPRIÉTÉ:** En cas de perte réclamée aux assurances, tel que dans le cas d'un incendie, d'une inondation ou d'un vol, votre enregistrement de propriété peut servir comme preuve d'achat.
- **POUR VOTRE SÉCURITÉ:** L'enregistrement de votre produit nous permet de vous contacter dans l'éventualité peu probable d'une notification de sécurité, conformément à la loi fédérale sur la sécurité des consommateurs. Veuillez compléter votre enregistrement en ligne à l'adresse www.dewalt.com/register.

Garantie limitée de trois (3) ans

DeWALT procédera à la réparation, sans frais, de toute défaillance attribuable à un défaut de matériau ou de main-d'œuvre, pendant une période de trois (3) ans suivant la date d'achat. Cette garantie ne couvre pas une défaillance de pièce qui serait attribuable à une usure normale ou à un abus de l'outil. Pour plus de détails sur la couverture de la garantie et pour de l'information concernant les réparations sous garantie, visitez-nous à l'adresse www.dewalt.com ou appelez-nous au 1-800-4-DeWALT (1-800-433-9258). Cette garantie ne s'applique pas aux accessoires ou aux dommages causés par des réparations qui auraient été faites, ou tentées, par d'autres personnes. Cette garantie vous confère des droits spécifiques et vous pourriez avoir d'autres droits qui varient d'un état à l'autre ou d'une province à une autre. En plus de la garantie, les outils DeWALT sont couverts par notre :

SERVICE GRATUIT PENDANT UN (1) AN

DeWALT procédera gratuitement à la réparation de l'outil et/ou remplacera toute pièce usée dans des conditions d'utilisation normale, et en tout temps pendant la première année suivant votre achat.

SERVICE GRATUIT PENDANT DEUX (2) ANS SUR LES BLOCS PILES

DeWALT SUIVANTS

DC9071, DC9091, DC9096, DC9182, DC9280, DC9360,

DCB120, DCB127, DCB201, DCB203, DCB203BT, DCB207, DCB361

SERVICE GRATUIT PENDANT TROIS (3) ANS SUR LES BLOCS PILES

DeWALT SUIVANTS

DCB200, DCB204, DCB204BT, DCB205, DCB606

La garantie du produit sera annulée en cas de tentative d'altération du bloc-piles de quelque manière. DeWALT n'est pas responsable de quelque blessure causée par une telle altération et pourrait entreprendre une poursuite pour fraude alléguée de garantie, dans la pleine mesure permise par la loi.

GARANTIE DE REMBOURSEMENT POUR UNE PÉRIODE DE QUATRE-VINGT DIX (90) JOURS

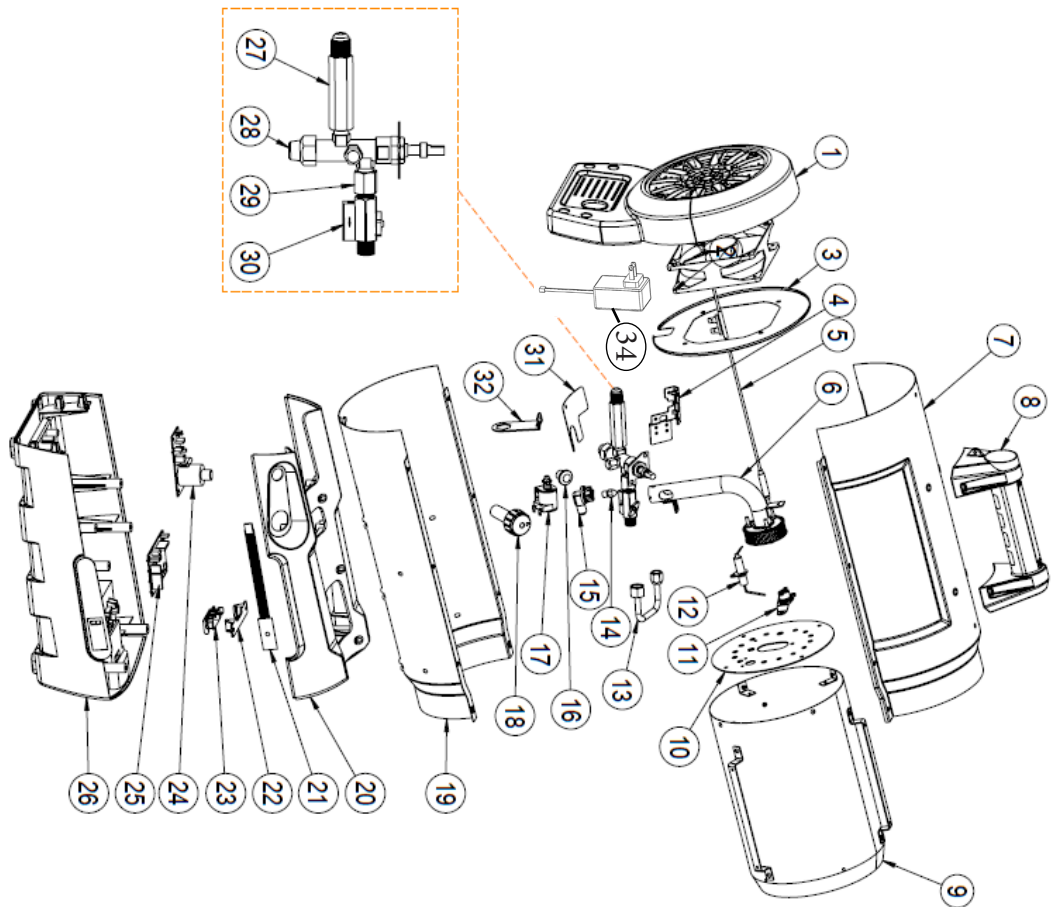
Si vous n'êtes pas entièrement satisfait de la performance de votre outil électrique DeWALT, ou de votre laser, ou brocheuse pour quelque motif, vous pouvez le retourner pendant quatre-vingt dix (90) suivant votre date d'achat, à confirmer par une copie de la facture d'origine, pour obtenir un remboursement complet – sans autre question.

AMÉRIQUE LATINE: Cette garantie ne s'applique pas aux produits vendus en Amérique latine. Pour des produits vendus en Amérique latine, voir l'information de garantie spécifique à votre pays sur l'emballage, appeler votre fournisseur local ou visiter notre site Web pour plus d'information sur la garantie.

SERVICE DE REMPLACEMENT GRATUIT DES ÉTIQUETTES DE MISE EN GARDE: Si vos étiquettes de mise en garde deviennent illisibles ou manquantes, appelez-nous pour un remplacement gratuit au 1-800-4-DeWALT (1-800-433-9258).

NE JAMAIS LAISSER LE CHAUFFAGE SANS SURVEILLANCE PENDANT LE BRÛLAGE!

Français



NE JAMAIS LAISSER LE CHAUFFAGE SANS SURVEILLANCE PENDANT LE BRÛLAGE!

#	Description	Part #
1	Protecteur arrière en plastique	40664
2	Assemblage du ventilateur	40684
3	Plaque de contrainte en acier	40663
4	Support de vanne	28805
5	Ensemble de thermocouple	27933
6	Assemblage de grille du brûleur	40685
7	Assemblage de baril supérieur	40661
8	Poignée	40801
9	Écran antiradiation	40686
10	Support de flamme	40687
11	Interrupteur de haute limite	40688
12	Électrode d'ignition	40904
13	Assemblage du tube à carburant	40689
14	Orifice du brûleur	40690
15	Support de l'orifice	27450
16	Bouton de vanne	40667
17	Verrouillage à solénoïde	28843
18	Bouton de contrôle variométrique	40666
19	Assemblage inférieur du baril	40662
20	Base supérieure	40668
21	Commutateur marche/arrêt avec témoin à DEL	27930

#	Description	Part #
22	Clip de retenue	40691
23	Connecteur de pile	40692
24	Plaquette de circuit d'ignition	28809
25	Plaquette de contrôle	40693
26	Base inférieure	40669
27	Raccord d'entrée de carburant	40694
28	Vanne de gaz principale	40695
29	Adaptateur de transition de vanne	40696
30	Vanne variable	27457
31	Couvercle de vent	40697
32	support en L	40698
33	Assemblage du boyau et du régulateur	21667-15
34	Adaptateur Secteur	40699

⚠️ AVERTISSEMENT

Danger de la qualité de l'air

- N'utilisez pas cet appareil de chauffage pour le chauffage des locaux d'habitation humaine.
- L'utilisation des appareils de chauffage direct dans les environnements de construction peut vous exposer à des niveaux de CO, CO₂, et NO₂, qui sont considérés comme dangereux pour la santé et potentiellement mortels.
- Ne pas utiliser dans les zones non ventilées.
- Connaissez les signes d'empoisonnement au CO et CO₂.
 - Maux de tête, brûlure des yeux
 - Vertige, désorientation
 - Difficulté à respirer, sensation d'étouffement
- Un échange d'air de ventilation adéquat (OSHA 29 CFR 1926.57) pour supporter la combustion et maintenir une qualité de l'air acceptable est fournie selon OSHA 29 CFR partie 1926.154, ANSI A10.10 Exigences de sécurité pour les appareils et équipements de chauffage portables et temporaires utilisés dans l'industrie de la construction ou les Codes CSA pour le gaz naturel et le gaz propane CSA B149.1.
 - Surveiller périodiquement les niveaux de CO, de CO₂ et de NO₂ existants sur le site de construction – à tout le moins au début du quart de travail et après 4 heures.
 - Prévoir un échange d'air de ventilation, soit naturel ou mécanique, tel que requis pour maintenir une qualité de l'air intérieur acceptable.

	Moyenne pondérée dans le temps sur 8 heures, États-Unis (OSHA 29 CFR 1926.55 App A)	Moyenne pondérée dans le temps sur 8 heures, Canada Directives SST de WorkSafe BC partie 5.1 et Règlement sur les milieux de travail en Ontario 833
CO	50 parties par million	25 parties par million
CO ₂	5000 parties par million	5000 parties par million
NO ₂		3 parties par million (Reg 833)
	É.-U. - Limite de plafond (limite d'exposition à court terme = 15 minutes)	Directives de SST Canada STEL (15 minutes Rég. 833 / 1 heure WSBC) de WorkSafe BC partie 5.1 et Règlement sur les milieux de travail en Ontario 833
CO		100 parties par million
CO ₂		15000 parties par million (WSBC) 30000 parties par million (Reg 833)
NO ₂	5 parties par million	1.0 parties par million (WorkSafeBC) 5.0 parties par million (Reg 833)

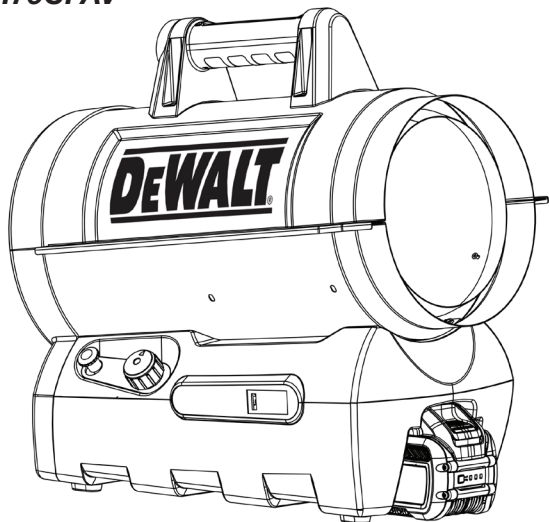
- Assurez-vous que le débit d'échange d'air de combustion et de ventilation ne peut pas être obstrué.
- La ventilation peut devoir être augmentée à mesure que le bâtiment « durcit » lors des phases de construction.

NE JAMAIS LAISSER LE CHAUFFAGE SANS SURVEILLANCE PENDANT LE BRÛLAGE!

DEWALT®

MANUEL D'INSTRUCTIONS

RADIATEUR SANS FIL AU PROPANE À VENTILATION FORCÉE POUR LA CONSTRUCTION DXH70CFAV



▲ Avertissement

UTILISER UNIQUEMENT LES PIÈCES DE RECHANGE D'ORIGINE DU FABRICANT. L'UTILISATION D'AUTRES PIÈCES PEUT CAUSER DES BLESSURES OU LA MORT. LES PIÈCES DE RECHANGE SONT DISPONIBLES SEULEMENT DIRECTEMENT DU FABRICANT ET ELLES DOIVENT ÊTRE INSTALLÉES PAR UNE AGENCE DE SERVICE QUALIFIÉE.

INFORMATION POUR LA COMMANDE DE PIÈCES:

APPROVISIONNEMENT : Il est possible d'acheter les accessoires auprès de tout détaillant local DewaltMD ou alternativement, directement de l'usine

POUR DE L'INFORMATION CONCERNANT LE SERVICE:

Appeler sans frais au 855-805-5745
www.dewalt.com

Nos heures d'ouverture sont de 8h00 à 17h00, H.N.E, du lundi au vendredi.

Veuillez inclure votre numéro de modèle, la date d'achat, et une description du problème dans toutes vos communications.

GARANTIE LIMITÉE

DeWalt^{MD} garantit ses radiateurs et ses accessoires pour être libres de tout vice de matériau et de main-d'oeuvre pour une période d'un (1) an de la date d'achat. DeWalt^{MD} procédera à la réparation ou au remplacement de ce produit sans frais, s'il est déterminé comme défectueux pendant cette période d'un (1) an, et qu'il est retourné, aux frais du client, avec une copie de la preuve d'achat, à DeWalt^{MD} pendant la période de garantie.

DEWALT^{MD}, GUARANTEED TOUGH^{MD} ainsi que le schème jaune et noir sont des marques déposées de DEWALT Industrial Tool Co., utilisés sous licence. © DEWALT, 2017. EGI/Enerco Group Inc. Sous licence de Dewalt Industrial Tool Co