



PEOPLE. PASSION. QUALITY.

**CAPRI**<sup>®</sup>  
**TOOLS**

*User Manual & Safety Instructions*

**FLEX**  
**AIR ANGLE**  
IMPACT WRENCH

**MODELS:** CP33200 / CP33205



# FLEX AIR ANGLE IMPACT WRENCH SPECIFICATIONS

## CP33200

Square Drive

**3/8"**

Bolt Capacity

**3/8"**

Mechanism

**Jumbo Hammer**

Nut Busting Torque

**369 ft.-lbs.**

Maximum Torque

**220 ft.-lbs.**

Working Torque

**185 ft.-lbs.**

Blows Per Min (BPM)

**1,200**

Free Speed

**9,000 RPM**

Noise Level (dBA)

**91.2**

Vibration Level (m/s<sup>2</sup>)

**8.56**

Air Consumption (CFM)

**2.96**

Air Inlet

**1/4" NPT**

Minimum Hose Size

**3/8"**

Air Pressure

**90 PSI**

Weight

**2.75 lbs.**

## CP33205

Square Drive

**1/2"**

Bolt Capacity

**1/2"**

Mechanism

**Twin Hammer**

Nut Busting Torque

**970 ft.-lbs.**

Maximum Torque

**400 ft.-lbs.**

Working Torque

**333 ft.-lbs.**

Blows Per Min (BPM)

**1,200**

Free Speed

**8,000 RPM**

Noise Level (dBA)

**91.2**

Vibration Level (m/s<sup>2</sup>)

**8.56**

Air Consumption (CFM)

**4.0**

Air Inlet

**1/4" NPT**

Minimum Hose Size

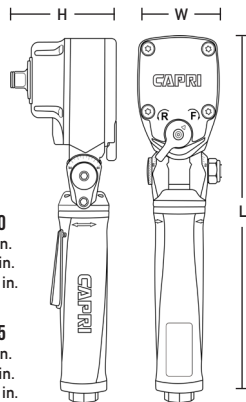
**3/8"**

Air Pressure

**90 PSI**

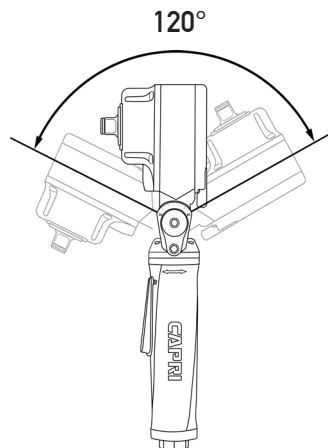
Weight

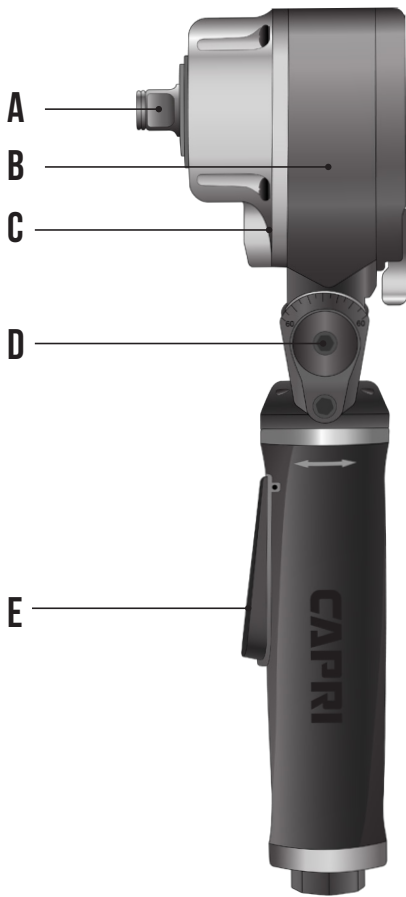
**2.94 lbs.**



**CP33200**  
 H: 3.25 in.  
 W: 2.51 in.  
 L: 10.90 in.

**CP33205**  
 H: 3.34 in.  
 W: 2.55 in.  
 L: 10.90 in.



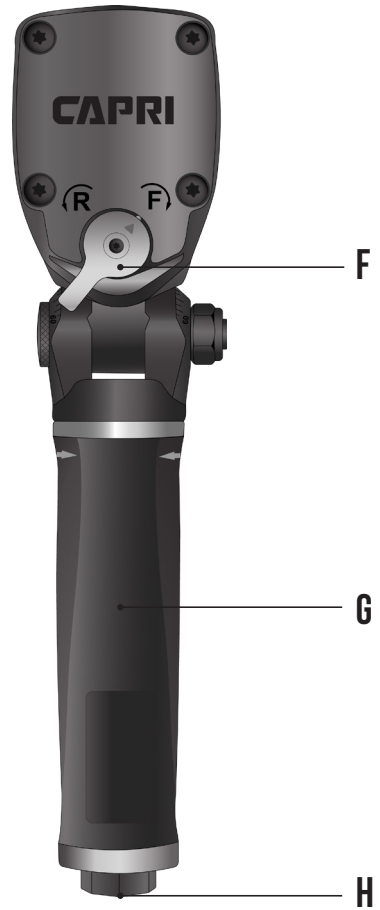


**A.** SQUARE DRIVE

**B.** TWIN/JUMBO HAMMER MECHANISM

**C.** EXHAUST

**D.** FLEX SWIVEL MECHANISM



**E.** TRIGGER

**F.** FORWARD/REVERSE SWITCH

**G.** NON-SLIP SOFT GRIP HANDLE

**H.** 1/4" NPT AIR INLET



## SAFETY INFORMATION

---



Read and understand this manual and safety instructions in its entirety before using this tool. Failure to follow these operating and safety instructions can result in serious injury and property damage.



Always wear safety goggles.



Always use hearing protection.



Lubricate pneumatic tools daily as well as before and after each use to maintain optimal performance.

## SAFETY INSTRUCTIONS

---

### **WARNING: PERSONAL SAFETY**

- Read and understand this manual and safety instructions in its entirety before using the tool. Failure to follow these operating and safety instructions can result in serious injury and property damage.
- Only qualified individuals who are familiar with all usage and safety instructions should be allowed to use the tool.
- Always wear safety goggles and hearing protection.
- Wear face mask or respirator to reduce exposure to chemicals released from construction activities.
- Wear gloves to reduce fatigue and avoid cuts and burns.
- Do not wear clothing that's loose fitting or has loose parts. Do not wear accessories such as watches, necklaces, and bracelets. Restrain any long hair. They can get caught in moving parts, which can result in seriously injury.
- Do not operate the tool when you are tired or under the influence of any drug, medication, or alcohol. Always stay mindful and alert when working with the tool.
- Extended exposure to the vibrations of the tool can be hazardous to your health. Take proper breaks and avoid prolonged usage.

### **WARNING: MAINTENANCE SAFETY**

- Turn off the air supply and disconnect the air line from the tool before performing any maintenance.
- Lubricate the tool before initial use.
- Lubricate the tool daily as well as before and after each use.
- Lubricate the tool before storage.
- Do not modify the tool.
- Do not attempt to repair the tool. Repair should only be performed by an authorized service center.

### **WARNING: EQUIPMENT SAFETY**

- Do not use the tool if it has been damaged in any way.
- Verify the integrity of the air supply system prior to each use. Ensure air hoses and fittings are damage free. Secure all connections.
- Keep air hose and couplers clean to prevent grease and dirt from entering the air supply system.
- Use minimum 3/8" air hose with high flow couplers to allow optimal air volume.
- Do not use quick connect coupler to connect the air hose to the tool. The vibrations from operating

the tool will damage the coupler. Use a leader hose to connect the air hose to the tool. The leader hose reduces vibration to couplers and enhances flexibility and safety.

- Do not use sockets and accessories that are worn or damaged.
- Use only sockets and accessories in appropriate sizes and ensure they fit securely.
- Use only fittings with 1/4" NPT thread.
- Use only impact sockets and impact attachments with the tool. Hand sockets and attachments can shatter and become dangerous projectiles when used with impact tools.

### **WARNING: OPERATION SAFETY**

- Do not use the tool for non-intended purposes.
- Keep yourself well balanced with proper footing at all times.
- Keep your hands dry, clean, and free from oil and grease.
- Do not depress the trigger when connecting to the air supply.
- Do not trigger the tool when it is not applied directly to intended work objects. Attachments can loosen and become dangerous projectiles.
- Do not point the tool at yourself or anyone else.
- Do not carry the tool by the hose.
- Do not exceed 90 PSI air pressure.
- Do not use oxygen or gases to power the tool. It can result in explosion.
- Do not put hands and body near moving parts.
- Do not use the tool near live electricity. The tool is not electrically insulated.
- Loosening fasteners will cause the tool to move quickly away from the fastener and can entrap your hands, arms, and body if there is not sufficient clearance in the rear.

- Turn off the air supply, depress the trigger to release residual air, and disconnect the air line from the tool each time before changing sockets and attachments.
- Turn off the air supply, depress the trigger to release residual air, and disconnect the air line from the tool when the tool is not in use.

### **WARNING: WORK AREA SAFETY**

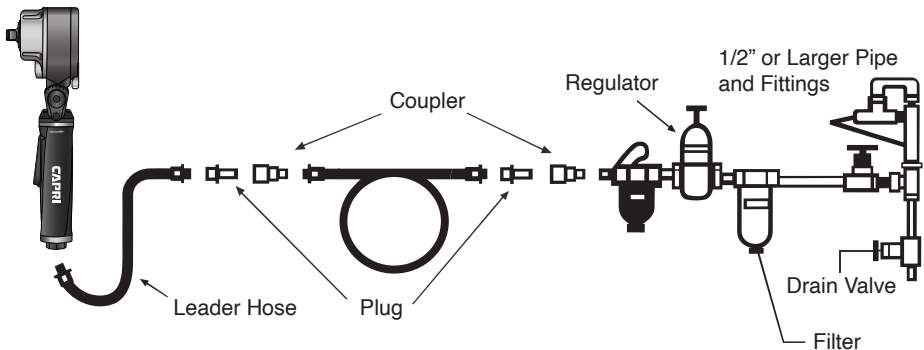
- Keep work areas clean, well-lit and organized.
- Keep work areas well ventilated and free of combustible materials.
- Do not allow children or nonqualified individuals in the work area.



## USAGE INSTRUCTIONS

### AIR SUPPLY SYSTEM INSTALLATION

- The recommended air supply system setup is in the diagram below.
- Do not exceed 90 PSI air pressure. Exceeding the rated air pressure will reduce the useful life and cause damage to the tool. Abnormally high air pressure can also cause the tool to explode.
- Install an air check valve and/or safety cables to prevent hose whipping in the event of hose or coupler failure.
- Install air shut off valves so they are within reach at all times.
- Install a filter/regulator/lubricator module to supply clean lubricated air. Drain the accumulated water from the air tank daily. Eliminating moisture and dirt passing through the air system is essential for maintaining the longevity and performance of the tool.
- Use a leader hose to connect the air hose to the tool. The leader hose reduces vibration to couplers and enhances flexibility and safety. Do not use quick connect coupler to connect the air hose to the tool. The vibrations from operating the tool will damage the coupler.
- Use only fittings with 1/4" NPT thread to connect to the tool.



---

## LUBRICATION

- Lubricate the tool before first use.
- Lubricate the tool daily as well as before and after each use.
- Lubricate the tool before storage.
- Moisture in the air supply degrades components and creates rust within the tool, which negatively affects its performance. Daily lubrication is necessary to maintain proper operation of the tool. Failure to do so will reduce the tool's useful life and void the warranty.

### To lubricate the tool:

1. Wear eye and ear protection.
2. Turn off the air supply, depress the trigger to release residual air, and disconnect the air line from the tool. Remove any sockets and attachments.
3. Face the air inlet upwards, depress the trigger, and place 1 teaspoon of 10W air tool oil into the air inlet.
4. Reconnect the tool to the air supply. Run the tool for several seconds to allow the oil to circulate. Do not point the exhaust at yourself or anyone else. Excess oil will exit from the exhaust and should be captured with a shop towel.

## USAGE

### Before you begin:

- The impact wrench is designed for tightening and loosening threaded fasteners. Use the tool only for intended purposes.
- Drain the air tank.
- Lubricate the tool.
- Use only sockets and accessories in appropriate sizes and ensure they fit securely.
- Use only impact sockets and impact attachments with the tool.
- Always wear proper personal safety equipment.
- Keep yourself well balanced with proper footing at all times.
- Keep your hands dry, clean, and free from oil and grease.
- Use only up to 90 PSI air pressure.

### Operation:

- Ensure forward/reverse is in the desired position before starting the tool. Provide sufficient rear clearance before loosening fasteners.
- Use the power dial to select desired power setting (3 settings in forward and 3 settings in reverse).
- Depress the trigger to use the tool, and release the trigger to stop.
- Keep hands and body away from moving parts.
- Lay the tool down only when it completely stops moving.
- Turn off the air supply, depress the trigger to release residual air, and disconnect the air line from the tool each time before changing sockets and attachments.
- Turn off the air supply, depress the trigger to release residual air, and disconnect the air line from the tool when the job is completed.
- Lubricate the tool before storage.



## 2 YEAR LIMITED WARRANTY

Capri Tools will repair, without charge, any defects due to defective materials or workmanship for two (2) years from the date of purchase, applicable to the original purchaser only and proof of purchase from an authorized retailer is required. The complete product must be returned, freight prepaid by the original purchaser, to Capri Tools. In lieu of repair, Capri Tools may provide a replacement of a new product, a refurbished product or a refund in its sole discretion. This warranty does not cover normal wear and tear, and does not apply where the tool has been abused, misused or improperly maintained, where repairs have been made or attempted by others, or where any alterations have been made to the tool. The determination of whether the product returned to Capri Tools satisfies the condition of this warranty shall be made by Capri Tools in its sole discretion. The warranty does not apply to accessories.

Capri Tools makes no other warranties, expressed or implied, concerning the product of the merchantability for fitness thereof for any purpose. In no event shall Capri Tools be liable for any indirect, incidental, punitive or consequential damages arising from the sale or use of the products sold hereunder. This limitation applies both during and after the terms of the warranty.

This warranty applies only to products purchased and used in North America. This warranty gives you specific legal rights, and you may also have other rights which vary from state to state.



### CUSTOMER SUPPORT

(888) 723-0550  
support@capritools.com  
capritools.com

For further details on our warranty coverage,  
Please contact our Customer Service.