

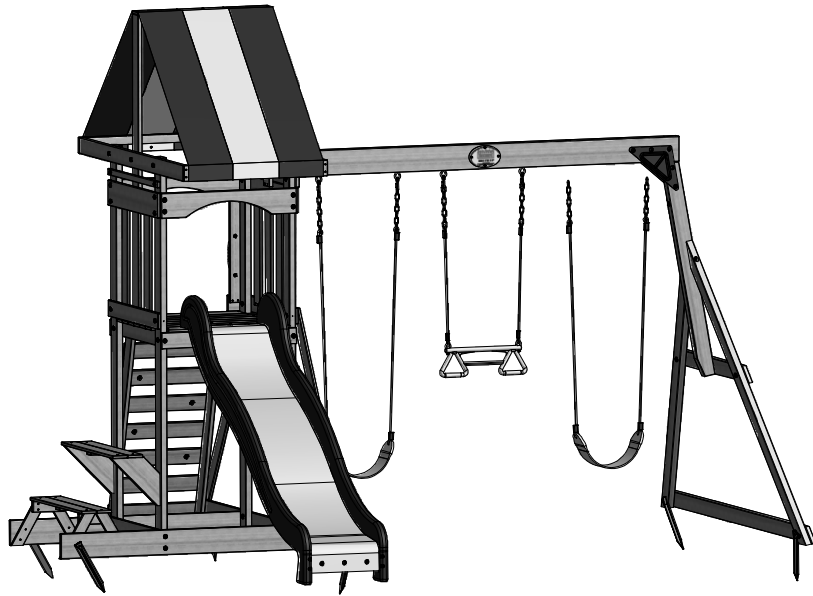


# PROVIDENCE

Wooden Swing Set

Model: #40112

DISCOVERY



- *Owner's Manual*
- *Frequently Asked Questions*
- *Assembly Instructions*
- *Warranty Information*

*Manufacturer: Backyard Discovery  
3001 North Rouse  
Pittsburg, KS 66762  
1-800-856-4445*

*Register your new swing set on-line @ [www.swingsetonline.com](http://www.swingsetonline.com)  
(you will also find any updates on assembly instructions and  
information to order replacement parts)*

*Features the **SAFE-T-FUSE** fastening system.*

Patent Pending

*Save this assembly manual for future reference in the event that  
you need to order replacement parts.*

# STOP PARE

Missing A Part?

**CALL US BEFORE GOING  
BACK TO THE STORE!**

The store where you made your purchase  
does not stock parts for this item.

If you have assembly questions or if you need parts,  
whether they are missing or damaged

Call Toll-Free Help Line or visit [www.swingsetsonline.com](http://www.swingsetsonline.com)

**¡LLÁMENOS ANTES DE REGRESAR A LA TIENDA!**

La tienda donde realizó la compra no almacena piezas de este producto.

Si tiene preguntas sobre el ensamblaje o si necesita piezas debido a que  
faltan o están dañadas

llame gratis a la línea de ayuda

## 1-800-856-4445

### **PLEASE READ THIS BEFORE STARTING ASSEMBLY POR FAVOR LEA ESTAS INSTRUCCIONES ANTES DE COMENZAR EL ENSAMBLAJE**

- READ THE ASSEMBLY MANUAL COMPLETELY, PAYING SPECIAL ATTENTION TO THE IMPORTANT TIPS AND SAFETY INFORMATION.
- AFTER YOU HAVE READ THE ASSEMBLY MANUAL, YOU WILL BE ABLE TO DECIDE IF YOU NEED PROFESSIONAL HELP TO COMPLETE THE ASSEMBLY OF THE STRUCTURE.
- SEPARATE AND IDENTIFY ALL PARTS TO MAKE SURE THAT YOU HAVE ALL OF THE PARTS LISTED.
- IF YOU CAN'T FIND ALL OF THE PARTS, CHECK THE PACKING MATERIAL. SMALL PARTS MAY HAVE FALLEN INTO IT DURING SHIPMENT.
- IF YOU HAVE PROBLEMS WITH THE ASSEMBLY OR IF ANY PART IS MISSING OR DAMAGED, PLEASE CALL THE HELP LINE **1-800-856-4445 OR VISIT [www.swingsetsonline.com](http://www.swingsetsonline.com)**
- LEA EL MANUAL DE ENSAMBLAJE COMPLETAMENTE, PRESTANDO ESPECIAL ATENCIÓN A LOS CONSEJOS ÚTILES IMPORTANTES Y A LA INFORMACIÓN SOBRE SEGURIDAD.
- DESPUÉS DE QUE HAYA LEÍDO EL MANUAL DE ENSAMBLAJE, PODRÁ DECIDIR SI NECESITA AYUDA PROFESIONAL PARA EFECTUAR EL ENSAMBLAJE DE LA ESTRUCTURA.
- SEPARE E IDENTIFIQUE TODAS LAS PIEZAS PARA COMPROBAR QUE DISPONE DE TODAS LAS PARTES INDICADAS.
- SI NO PUEDE ENCONTRAR TODAS LAS PIEZAS, REVISE EL MATERIAL DE EMPAQUE. ES POSIBLE QUE ALGUNAS PIEZAS PEQUEÑAS PUEDAN HABERSE CAÍDO ALLÍ DURANTE EL ENVÍO.
- MANTÉNGASE ALEJADO DE LOS NIÑOS MENORES A LA EDAD RECOMENDADA.
- SI TIENE PROBLEMAS CON EL ENSAMBLAJE O SI ALGUNA PIEZA FALTA O ESTÁ DAÑADA, LLAME A LA LÍNEA DE AYUDA AL **1-800-856-4445 O VISITE [www.swingsetsonline.com](http://www.swingsetsonline.com)**

PLEASE HAVE THE FOLLOWING INFORMATION WHEN YOU MAKE YOUR CALL:

- 1 – MODEL NUMBER OF THE PRODUCT LOCATED ON THE FRONT OF THE ASSEMBLY MANUAL
- 2 – DESCRIPTION OF THE PART FROM THE PARTS LIST

POR FAVOR TENGA VISIBLE LA SIGUIENTE INFORMACIÓN CUANDO LLAME:

- 1 - NÚMERO DE MODELO DEL PRODUCTO QUE SE ENCUENTRA UBICADO AL FRENTE DEL MANUAL DE ENSAMBLAJE

# Owner's Manual Play Set

## Dear Customer:

Please read entire booklet completely before beginning the assembly process.

Equipment is recommended for use by **children 3 to 10 years of age**. Structures are **not intended for public use**. **The Company does not warranty any of its residential structures subjected to commercial use such as: Daycare, Preschool, Nursery School, Recreational Park, or any similar Commercial Application.**



**WARNING:** This Symbol points out important safety instructions which, if not followed, could endanger the personal safety of yourself and your children and/or damage your property. You **MUST** read and follow all instructions in this manual before attempting to use this playcenter.



**WARNING:** Children must **NOT** use this playcenter until unit has been completely assembled and inspected by an adult to insure set has been properly installed and anchored.

Please follow all recommendations below. **Failure to do so may result in the warranty being void and/or safety violations that could result in serious injury.** This manual contains helpful information concerning Assembly Preparation, Installation Procedure, and Required Maintenance. Always keep the safety of your children in mind as your play structure is being built and as your children play on the set. Before your children play on the set please review the Operation Instructions with them to help ensure their safety.

**PLEASE RETAIN THESE INSTRUCTIONS FOR FUTURE REFERENCE. KEEP THEM IN A SAFE PLACE WHERE YOU CAN REFER TO THEM AS NEEDED. IN ORDER TO PROVIDE YOU WITH THE MOST EFFICIENT SERVICE. IT IS REQUIRED THAT YOU PROVIDE US WITH THE PART NUMBERS WHEN ORDERING PARTS.**

## For Your Records:

Please take time and fill out the information below. This information will be needed for warranty issues.

Where Purchased: \_\_\_\_\_

Date of Purchase: \_\_\_\_\_

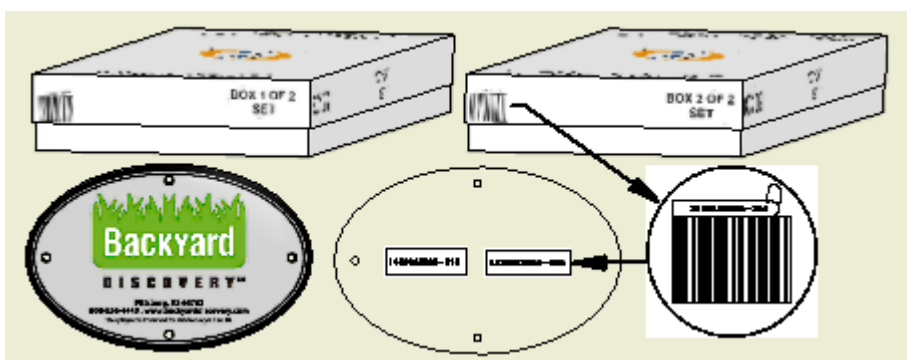
Installation Date: \_\_\_\_\_

Installed by: \_\_\_\_\_

Staple Receipt Here

Sales Receipt		
Store Name		
Main Street	Hamlet, NY	
120022	BYD Playset	\$555
220012	BYD Playhouse	\$55
330044	BYD Garden	\$55
440033	BYD Outdoor Product	\$55
Total		\$555

Thank You For Shopping With Us!



## Tracking Number Reference Label

Remove label sticker from each carton and stick on the back side of ID plate. In the event of warranty claim this will help identify your unit.

# Owner's Manual Play Set

**Please refer to the Assembly section of the Assembly Manual for Maximum Fall Height.**

## **Positioning Your Playcenter**

1. The Playcenter is designed to be installed on a level surface **by an Adult with an Adult helper**. Place in a flat area of your yard to minimize ground preparation.
2. Choose a level location for the equipment. This can reduce the likelihood of the play set tipping over and loose-fill surfacing material washing away during heavy rains.
3. Place the equipment not less than **6 ft** from any structure or obstruction such as a fence, garage, house, overhanging branches, laundry lines, or electrical wires.
4. Provide enough room so that the children can use the equipment safely. For example, for structures with multiple play activities, a slide should not exit in front of a swing.
5. It is a good idea to place your Playcenter in an area that is convenient for adults to watch children at play.
6. Create a site free of obstacles that could cause injuries – such as low overhanging tree branches, overhead wires, tree stumps and/or roots, large rocks, bricks and concrete. Additional suggestions in the Suggested Playground Surfacing Section.
7. Do not build your playset on top of surfacing material.
8. Locate bare metal platforms and slides out of direct sunlight to reduce the likelihood of serious burns. A slide that faces north will receive the least direct sunlight.
9. Separate active and quiet activities from each other. For example, locate sandboxes away from swings or use a guardrail or barrier to separate the sandbox from the movement of the swings.

## **Suggested Playground Surfacing**

- ❑ Playground equipment should never be placed on hard surfaces such as concrete or asphalt.
- ❑ Do not install loose fill surfacing over hard surfaces such as concrete or asphalt.
- ❑ Shredded bark mulch, wood chips, fine sand and fine gravel, are added as shock absorbing materials after assembly. If used properly these materials can absorb some of the impact of a child's fall.
- ❑ All surface material should extend a minimum of 6 feet in all directions around the play area.
- ❑ Do not apply playground surfacing until after the unit is completely constructed. Playset should not be built on top of surfacing.
- ❑ Use containment, such as digging out around the perimeter and/or lining the perimeter with landscape edging.
- ❑ Installations of rubber tiles or poured-in-place surfaces (other than loose-fill materials) generally require a professional and are not “do-it-yourself” projects.
- ❑ Shall use Playground Surfacing Materials (other than loose-fill material) which comply with the safety standard ASTM F1292 Standard Specification of Impact Attenuation of Surfacing Materials within the Use Zone of Playground Equipment.

# Owner's Manual Play Set

The following chart explains the fall height in feet from which a life threatening head injury would not be expected

## Critical Heights in feet (m) of Tested Materials

Material	Uncompressed Depth			Compressed Depth
	6" (152mm)	9" (228mm)	12" (304mm)	to 9" (228mm)
Wood Chips	7' (2.13m)	10' (3.05m)	11' (3.35m)	10' (3.05m)
Double-Shredded bark mulch	6' (1.83m)	10' (3.05m)	11' (3.35m)	7' (2.13m)
Engineered Wood Fibers	6' (1.83m)	7' (2.13m)	>12' (3.66m)	6' (1.83m)
Fine Sand	5' (1.52m)	5' (1.52m)	9' (2.74m)	5' (1.52m)
Coarse Sand	5' (1.52m)	5' (1.52m)	6' (1.83m)	4' (1.22m)
Fine Gravel	5' (1.52m)	7' (2.13m)	10' (3.05m)	6' (1.83m)
Medium Gravel	5' (1.52m)	5' (1.52m)	6' (1.83m)	5' (1.52m)
Shredded Tires*	10-12' (3.0-3.6m)	N/A	N/A	N/A

\*This data is from tests conducted by independent testing laboratories on a 6-inch depth of uncompressed shredded tire samples produced by four manufacturers. The tests reported critical heights, which varied from 10 feet to greater than 12 feet. It is recommended that persons seeking to install shredded tires as a protective surface request test data from the supplier showing the critical height of the material when it was tested in accordance with ASTM F1292.

## Operating Instructions:



**NOTE:** Your children's safety is our #1 concern. Observing the following statements and warnings reduces the likelihood of serious or fatal injury. Please review these safety rules regularly with your children.

1. This Playcenter is designed for specific number of occupants whose combined weight **should not exceed** a designated weight on the elevated floor or the swing area, the total Unit capacity is outlined in the Basic Setup Dimensions section of instruction manual. The maximum fall height and recommended play area is also available in the Basic Setup Dimensions section of the manual for the specific unit.
2. On-site adult supervision is **required**.
3. Instruct children **not** to walk close to, in front of, behind, or between moving swings or other moving playground equipment.
4. Instruct children to sit in and **never** stand on swings
5. Instruct children **not** to twist the chains and ropes and not to loop them over the top support bar, since this may reduce the strength of the chain or rope.
6. Instruct children **not** to jump from swings or other playground equipment in motion.
7. Instruct children to **not to push** empty seats. The seat may hit them and cause serious injury.
8. Instruct and teach children to sit in the center of the swings with their full weight on the seats.
9. Instruct children **not** to use the equipment in a manner other than intended.
10. Instruct children to **always** go down slides feet first. Never slide head first.
11. Instruct children to **look** before they slide to make sure no one is at the bottom.
12. Instruct children to **never** run up a slide, as this increases their chances of falling.
13. The parents should have the children **dress appropriately** with well-fitting shoes. Loose clothing such as scarves and ponchos should not be worn. Always take off, tie up or tuck in cords and drawstrings on children's clothing. These things can get caught on playground equipment and strangle a child.
14. Instruct children **not** to climb when the equipment is wet.
15. Instruct children to **never** jump from a fort deck. They should always use the ladder, ramp or slide.

# Owner's Manual Play Set

---

16. Instruct children to **never** crawl or walk across the top of monkey bars.
17. Instruct children to **never** crawl on top of a fort roof.
18. Verify that any suspended climbing ropes, chain, or cable are secured at both ends and that they cannot be looped back on it.
19. Instruct children **not** to attach items to the playground equipment that are not specifically designed for use with the equipment, such as, but not limited to, jump ropes, clothesline, pet leashes, cables and chain as they may cause a strangulation hazard.
20. Instruct children to **never** wrap their legs around swing chain.
21. Instruct children to **never** slide down the swing chain.
22. Instruct children to remove their bike or other sports helmet before playing on playground equipment.

## **Maintenance Instructions:**

1. Check all nuts and bolts twice monthly during the usage season and tighten as required. (But not so tight that you crack the wood) We recommend you check the swing beam and hardware every two weeks due to wood expansion and contraction. It is particularly important that this procedure be followed at the beginning of each season.
2. Remove plastic swing seats and take indoors or do not use when the temperature drops below 32 °F.
3. Reinstall any plastic parts, such as swing seats or any other items that were removed for the cold season.
4. Oil all metallic moving parts monthly during the usage period.
5. Check all coverings for bolts and sharp edges twice monthly during usage season to be certain they are in place. Replace when necessary. It is especially important to do this at the beginning of each new season.
6. Check swing seats, ropes, cables and chains monthly during usage season for evidence of deterioration. Replacement should be made of any swing seat that has developed cracks in the plastic seats or has exposed metal in the edges of the swing seat. If there are already exposed metal inserts on the edge of the seat, immediately remove the seats and chains to prevent serious injury. Ropes, cables and chains should be removed and replaced if excessive wear is found.
7. For rusted areas on metallic members such as monkey bars, hand supports, brackets, etc. Sand and repaint, using a non lead-based paint meeting the requirements of Title 16 CRF Part 1303.
8. Inspect wood parts monthly. The grain of the wood sometimes will lift in the dry season causing splinters to appear. Light sanding may be necessary to maintain a safe playing environment. If you are treating your Playcenter with stain regularly, it will help prevent severe checking/splitting and other weather damage.
9. We have applied a waterborne transparent stain to your unit. This is done for color only. Once or twice a year, depending on your climate conditions, you must apply some type of protection (sealant) to the wood of your unit. Prior to the application of sealant, lightly sand any "rough" spots on your set. Please note this is a requirement of your warranty.
10. Creating and maintaining the Playcenter on a level location is very important. As your children play, your Playcenter will slowly dig its way into the soil, and it is very important that it settles evenly. Make sure the play set is level and true once each year or at the beginning of each play season.
11. Rake and check depth of loose fill protective surfacing materials to prevent compaction and to maintain appropriate depth. Replace as necessary (once a month during play season).

# Owner's Manual Play Set

---

## **Disposal Instructions:**

*When the Playcenter use is no longer desired, it should be disassembled and disposed of in such a way that no unreasonable hazards will exist at the time the unit is discarded.*

## **Third Party Assembly:**

*Customer may, in their sole discretion, elect to use a third party person or service to assemble this product. Backyard Discovery assumes no responsibility or liability for any charge incurred by the Customer for any assembly services'.*

*Please see our warranty for more information about damaged and missing part replacement coverage. Backyard Discovery will not reimburse Customer for the price of parts purchased.*



# Owner's Manual Play Set

## APPENDIX A

### **Information on Playground Surfacing Materials:**

The following information is from the **United States Consumer Product Safety Commission's Information Sheet for playground surfacing material**; also see the following website for additional information: [www.cpsc.gov/cpscpub/pubs/323.html](http://www.cpsc.gov/cpscpub/pubs/323.html).

#### X3. CONSUMER INFORMATION SHEET FOR PLAYGROUND SURFACING MATERIALS<sup>11</sup>

X3.1 The U.S. Consumer Product Safety Commission (CPSC) estimates that about 100,000 playground equipment-related injuries resulting from falls to the ground surface are treated annually in U.S. hospital emergency rooms. Injuries involving this hazard pattern tend to be among the most serious of all playground injuries, and have the potential to be fatal, particularly when the injury is to the head. The surface under and around playground equipment can be a major factor in determining the injury-causing potential of a fall. It is self evident that a fall onto a shock-absorbing surface is less likely to cause a serious injury than a fall onto a hard surface. Playground equipment should never be placed on hard surfaces such as concrete or asphalt and while grass may appear to be acceptable it may quickly turn to hard packed earth in areas of high traffic. Shredded bark mulch, wood chips, fine sand or fine gravel are considered to be acceptable shock absorbing surfaces when installed and maintained at a sufficient depth under and around playground equipment.

X3.2 Table X3.1 lists the maximum height from which a child would not be expected to sustain a life-threatening head injury in a fall onto four different loose-fill surfacing materials if they are installed and maintained at depths of 6, 9, and 12 in. However, it should be recognized that all injuries due to falls cannot be prevented no matter what surfacing material is used.

X3.3 It is recommended that a shock absorbing material should extend a minimum of 6 ft in all directions from the perimeter of stationary equipment such as climbers and slides. However, because children may deliberately jump from a moving swing, the shock absorbing material should extend in the front and rear of a swing a minimum distance of 2 times the height of the pivot point measured from a point directly beneath the pivot on the supporting structure.

X3.4 This information is intended to assist in comparing the relative shock-absorbing properties of various materials. No particular material is recommended over another. However, each material is only effective when properly maintained. Materials should be checked periodically and replenished to maintain correct depth as determined necessary for your equipment. The choice of a material depends on the type and height of the playground equipment, the availability of the material in your area, and its cost.

<sup>11</sup>This information has been extracted from the CPSC publications "Playground Surfacing — Technical Information Guide" and "Handbook for Public Playground Safety." Copies of these reports can be obtained by sending a postcard to: Office of Public Affairs, U.S. Consumer Product Safety Commission, Washington, D.C., 20207 or call the toll-free hotline: 1-800-638-2772.

The American Society for Testing and Materials takes no position respecting the validity of any parent right asserted in connection with any item mentioned in this standard. Users of this standard are expressly advised that determination of the validity of any such parent rights, and the risk of infringement of such rights, are entirely their own responsibility.

The standard is subject to revision at any time by the responsible technical committee and must be reviewed every five years and if not revised, either approved or withdrawn. Your comments are invited either for revision of this standard or for additional standards and should be addressed to ASTM Headquarters. Your comments will receive careful consideration at a meeting of the responsible technical committee, which you may attend. If you feel that your comments have not received a fair hearing you should make your views known to the ASTM Committee on Standards, 100 Barr Harbor Drive, West Conshohocken, PA 19428.



## *Play Set Assembly Manual FAQs:*

1. Does the area for the playset need to be level?

*Yes. Backyard Discovery recommends the playset be positioned on a flat level area for maximum safety and durability. The stakes provided should be used to secure it firmly to the ground.*

2. What size area is recommended for the playset?

*Backyard Discovery recommends at least a 6' (six foot) perimeter around and above the playset for maximum safety.*

3. What age range is appropriate for the playsets?

*Backyard Discovery playsets are recommended for children ages 3 – 10 years.*

4. Is the wood treated with chemicals?

*Backyard Discovery uses 100% Chinese Cedar wood which is naturally bug resistant, decay and rot resistant. To help ensure your child's safety, our wood is completely chemical free and we do not use pressure-treated wood. The stain we use is a top coat using a water-based product that is for appearance only.*

5. How often should the playset be stained?

*Backyard Discovery recommends the playset be stained once each year. A water or oil based stain can be used at the customer's discretion.*

6. Why does it seem that my swing set is developing cracks?

*Wood is a natural material; no two pieces are exactly alike. Each piece has its own characteristics and personality and reacts differently to climate changes. When any wood product is exposed to the elements, it develops "wood checks". A check is the radial separation of the wood fibers running with the grain of the wood. These are caused by the varying temperature and moisture conditions. A check is not a crack – it does not affect the strength or durability of the wood or structural integrity of the play set.*

7. Do Backyard Discovery playsets come with a warranty?

*Yes. All Backyard Discovery products carry a 1-year replacement warranty on all parts for manufacturer's defect. Our wood carries a 5 year warranty on rot and decay as well. Please see warranty details for more information.*

8. What is the best way to get started assembling the playset?

*Backyard Discovery recommends taking all the parts out of the boxes and arranging them by part number before you begin any assembly. This will not only allow faster assembly, but will also identify any parts that may be missing or damaged so they can be replaced before assembly. If parts are missing or need replacement, go to*

[www.swingsetonline.com/support.aspx](http://www.swingsetonline.com/support.aspx) and follow the prompts to order them. Next, read the assembly manual and get the tools ready for the job as recommended in the manual. If the assembly manual is lost or misplaced a new one can be printed from Backyard Discovery's website: [www.swingsetonline.com](http://www.swingsetonline.com).

9. The playset seems to rock or sway too much. What's wrong?

*Rocking is caused by uneven ground or obstructions such as rocks, roots, etc. under the ground rails. These should be removed and the ground underneath re-leveled to prevent rocking. Also ensure the playset is securely staked to the ground using the stakes provided.*

10. The 2"x4" boards do not measure 2"x 4". Why not?

*In the U.S. it is common practice to describe lumber dimensions using the rough cut sizes from the sawmill and not the finished dimensions. Retailers, home stores, etc. all use this accepted practice for describing lumber dimensions. However, Backyard Discovery playsets are designed and constructed using the actual dimensions so everything fits properly and remains so during the life of the playset.*

11. The end beam is not straight up and down. Why not?

*This is normal. Backyard Discovery designs playsets this way to ensure the strongest structure possible. The slight angle adds strength and reduces rocking and twisting.*

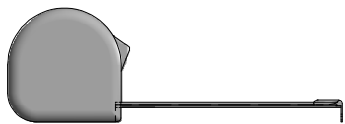
12. The S-hooks for the swings won't close. What is wrong?

*Backyard Discovery recommends placing them on a hard surface such as concrete (don't do this on anything that will dent such as metal or finished wood or glass which will break!). It will take quite a few strokes, but the hooks will close.*

For more information and frequently asked questions, please refer to our website at [www.swingsetonline.com](http://www.swingsetonline.com).

# *Tools Required for Installation:*

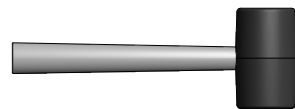
*(These are the tools that are generally required for assembly of our outdoor products. These tools are not included with the outdoor product purchase.)*



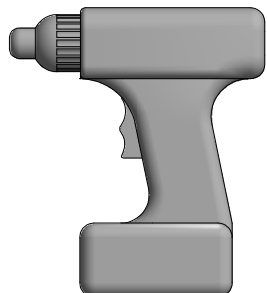
***(Tape Measure)***



***(Claw Hammer)***



***(Rubber Mallet - Optional)***



***(Cordless Drill or Electric Drill)***



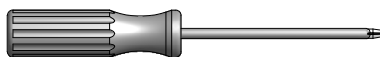
***(1/8" & 3/8" Drill Bits)***



***(Drill Attachments:  
Phillips Head)***



***(An Adult w/ an Adult Helper)***



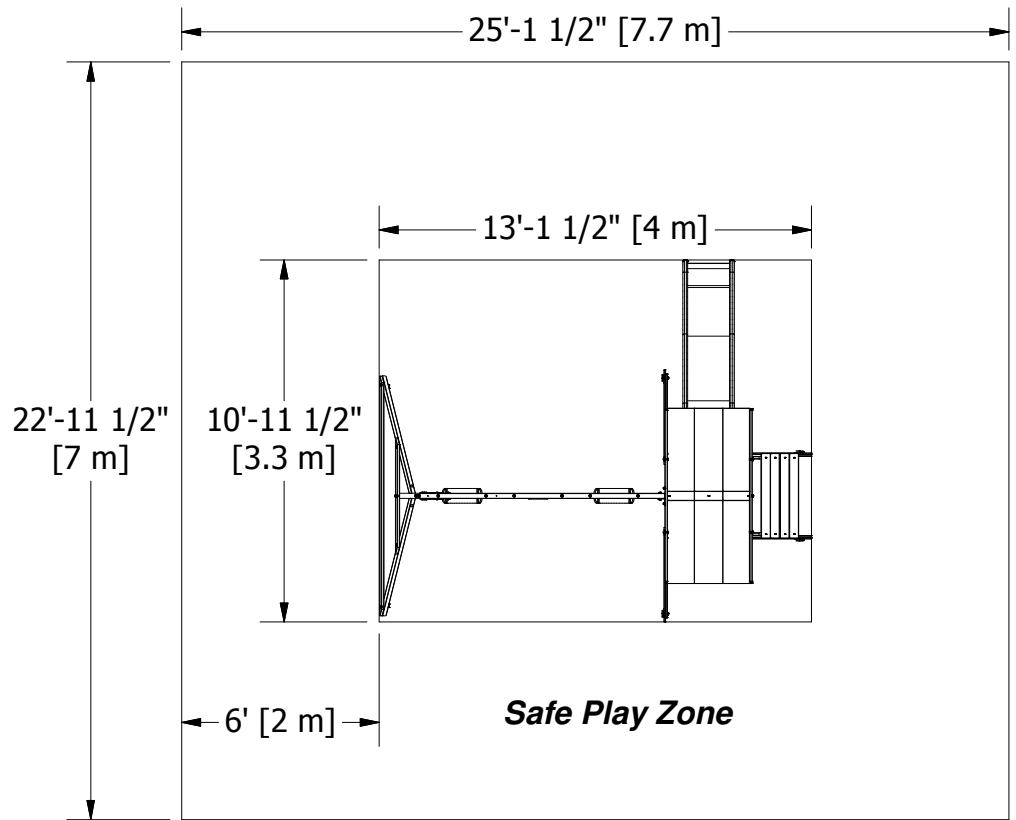
***(Phillips Screw Driver)***



***(Ladder)***

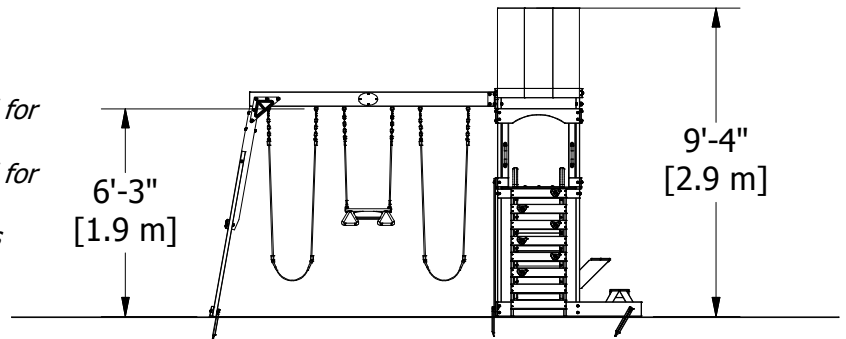
# Basic Setup Dimensions

Place the set on level ground, not less than 6 ft [2 m] from any structure or obstruction such as a fence, garage, house, overhanging branches, laundry lines, or electrical wires.



## **General Information:**

Your set has been designed and engineered for children only and for residential use only. A maximum of 150 lbs. per child is recommended for play activities designed for individual use. A maximum of 120 lbs. per child is recommended for play activities designed for multiple child use. A maximum of 6 children is recommended for this swing set.



## Important Assembly Notes

Safe play height: 15'-4" [4.7 m]  
Maximum fall height: 6'-3 1/2" [1.9 m]

- 1) While assembling unit, take time before and after each phase to make sure fort is level. If fort is not level, assembly will be difficult and improper assembly may result. Extra care must be taken to insure the fort is square.
- 2) Tighten bolts securely, tighten nuts on bolts flush to the tube or member, and place caps over exposed bolts snug to the nut.
- 3) Pay close attention to the **ITEMS NEEDED FOR EACH PHASE**. They can be a valuable aid when sorting your wood and hardware. Assembly will be made easier if items are sorted by phase.
- 4) Pay close attention to make sure you are using the correct hardware in the correct phases. Using incorrect hardware may result in improper assembly.
- 5) Whenever a T-nut is used, follow these directions. Place T-nut in pre-drilled hole. Tap in with hammer. Place bolt with washers in the opposite side. Hand tighten to make sure the bolt is in the T-nut. **DO NOT** over tighten.
- 6) Read the steps of each phase thoroughly. The written steps may include important information not shown in the illustrations.

# Parts Identification

## Wood Components

(NOT TO SCALE)



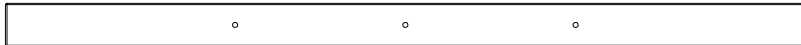
- (4) **E1 - FORT UPRIGHT - W102297**  
1 3/8"x3 3/8"x83" (36x86x2108)



- (2) **E77 - ANGLE BRACE - W100991**  
1 3/8"x3 3/8"x74 3/8" (36x86x1890)



- (2) **G1 - PICNIC TOP SUPPORT - W102300**  
1"x5 1/4"x15" (24x134x381)



- (2) **H1 - ROOF CROSS BRACE - W102301**  
1"x3 3/8"x62 1/2" (24x86x1588)



- (2) **H2 - ROCKWALL SUPPORT - W102334**  
1"x3 3/8"x48 7/8" (24x86x1242)



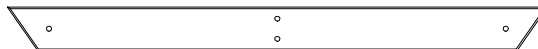
- (2) **H3 - TARP UPRIGHT - W102340**  
1"x3 3/8"x37" (24x86x940)



- (2) **H4 - FLOOR JOIST - W102308**  
1"x3 3/8"x30" (24x86x762)



- (1) **H5 - SWINGBEAM RAIL - W102303**  
1"x3 3/8"x30" (24x86x762)



- (1) **H79 - END SUPPORT - W100992**  
1"x3 1/2"x42" (24x86x1072)



- (1) **H80 - GROUND BOARD - W100990**  
1"x3 3/8"x87 3/8" (24x86x2218)



- (2) **J1 - TIE STRAP - W102346**  
1"x2 3/8"x7" (24x60x178)



- (1) **K1 - GROUND BOARD - W102299**  
5/8"x5 1/4"x88 7/8" (16x134x2256)



- (2) **K2 - GROUND BOARD - W102298**  
5/8"x5 1/4"x52 1/2" (16x134x1334)

# Parts Identification

## Wood Components

(NOT TO SCALE)



- (3) **K3 - WALL RAIL - W102302**  
5/8"x5 1/4"x30" (16x134x762)



- (2) **K4 - ARCHED WALL RAIL - W102306**  
5/8"x5 1/4"x30" (16x134x762)



- (2) **K5 - OUTER FLOOR BOARD - W102333**  
5/8"x5 1/4"x27 1/8" (16x134x688)



- (2) **M1 - ANGLE BRACE - W102310**  
5/8"x3 3/8"x59" (16x86x1500)



- (2) **M2 - TARP SUPPORT - W102337**  
5/8"x3 3/8"x31 7/8" (16x86x810)



- (4) **M3 - PICNIC SEAT/TOP - W102347**  
5/8"x3 3/8"x31" (16x86x786)



- (6) **M4 - FLOOR BOARD - W102332**  
5/8"x3 3/8"x30 7/8" (16x86x785)



- (2) **M5 - FLOOR SUPPORT - W102309**  
5/8"x3 3/8"x30" (16x86x762)



- (2) **M6 - FLOOR SUPPORT - W102331**  
5/8"x3 3/8"x30" (16x86x762)



- (1) **H6 - FLOOR SUPPORT - W102338**  
1"x3 3/8"x30" (24x86x762)



- (1) **M8 - TARP SUPPORT - W102341**  
5/8"x3 3/8"x30" (16x86x762)



- (6) **M9 - WALL SLAT - W102342**  
5/8"x3 3/8"x23" (16x86x584)

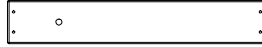


- (2) **M10 - ROCKWALL BOARD - W102335**  
5/8"x3 3/8"x20 1/4" (16x86x514)

# Parts Identification

## Wood Components

(NOT TO SCALE)



- (6) **M11 - ROCKWALL BOARD - W102336**  
5/8"x3 3/8"x20 1/4" (16x86x514)



- (2) **M12 - WALL RAIL - W102339**  
5/8"x3 3/8"x4" (16x86x102)



- (1) **M77 - SLIDE BRACE - W100544**  
5/8"x3 3/8"x17 1/4" (16x86x438)



- (2) **M78 - CENTER SLIDE BRACE - W100545**  
5/8"x3 3/8"x17 1/4" (16x86x438)



- (2) **N1 - WALL SLAT - W102343**  
5/8"x2 3/8"x23" (16x60x584)



- (4) **N2 - PICNIC TABLE BRACE - W102345**  
5/8"x2 3/8"x12" (16x60x305)



- (2) **N3 - TIE STRAP - W102344**  
5/8"x2 3/8"x6" (16x60x152)



- (1) **O1 - SAFETY BOARD - W102307**  
5/8"x1 3/8"x30" (16x34x762)



- (1) **SB74 - SWING BEAM - W102304**  
2"x5 1/4"x89 1/2" (50x134x2274)

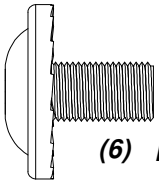


- (1) **W71 - SWING BEAM SUPPORT - W102349**  
2"x3 3/8"x47 3/8" (50x86x1204)

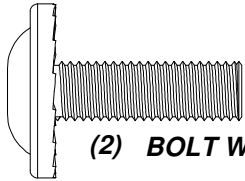


# Parts Identification

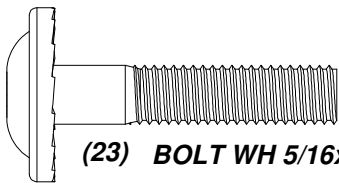
## Hardware



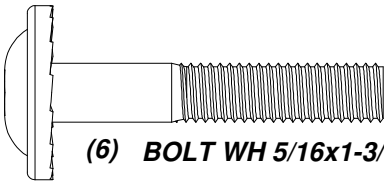
(6) BOLT WH 5/16x1/2 - H100115



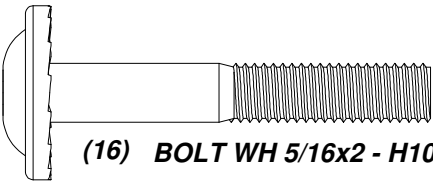
(2) BOLT WH 5/16x1 - H100008



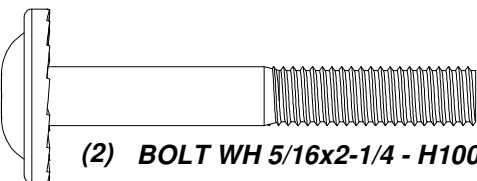
(23) BOLT WH 5/16x1-1/2 - H100010



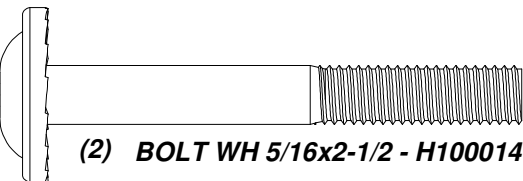
(6) BOLT WH 5/16x1-3/4 - H100011



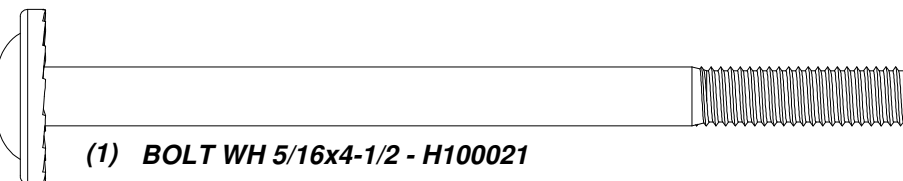
(16) BOLT WH 5/16x2 - H100012



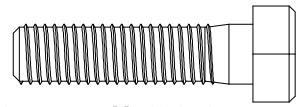
(2) BOLT WH 5/16x2-1/4 - H100013



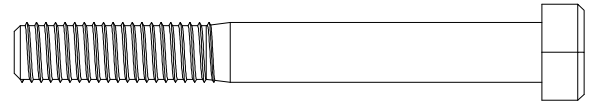
(2) BOLT WH 5/16x2-1/2 - H100014



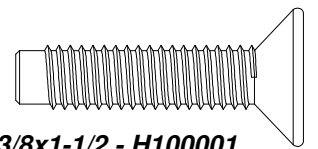
(1) BOLT WH 5/16x4-1/2 - H100021



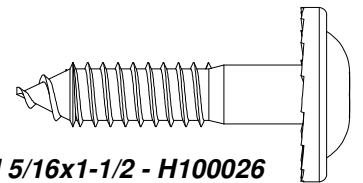
(4) BOLT HEX 5/16x1-1/4 - H100042



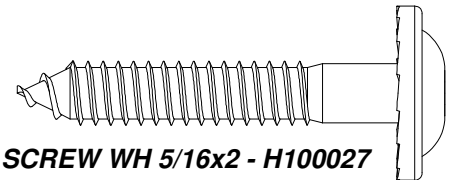
(2) BOLT HEX 5/16x2-3/4 - H100047



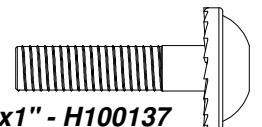
(7) BOLT FA 3/8x1-1/2 - H100001



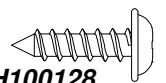
(1) LAG SCREW WH 5/16x1-1/2 - H100026



(26) LAG SCREW WH 5/16x2 - H100027



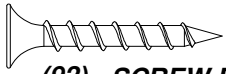
(4) BOLT WH 1/4x1" - H100137



(14) SCREW PWH 8x5/8 - H100128

# Parts Identification

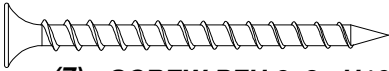
## Hardware



(92) SCREW PFH 8x1-1/8" - H100088



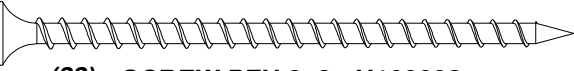
(57) SCREW PFH 8x1-1/2" - H100086



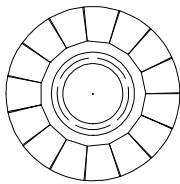
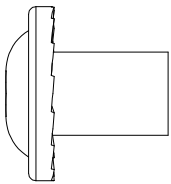
(7) SCREW PFH 8x2 - H100111



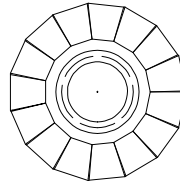
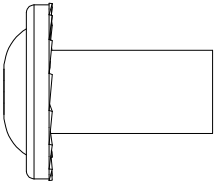
(13) SCREW PFH 8x2-1/4 - H100091



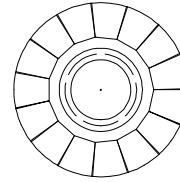
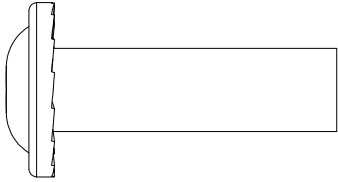
(33) SCREW PFH 8x3 - H100092



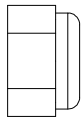
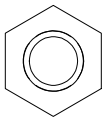
(9) NUT BARREL WH 5/16x5/8 - H100004



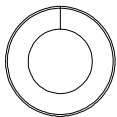
(47) NUT BARREL WH 5/16x7/8 - H100005



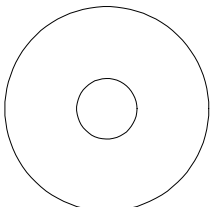
(2) NUT BARREL WH 5/16x1-1/2 - H100006



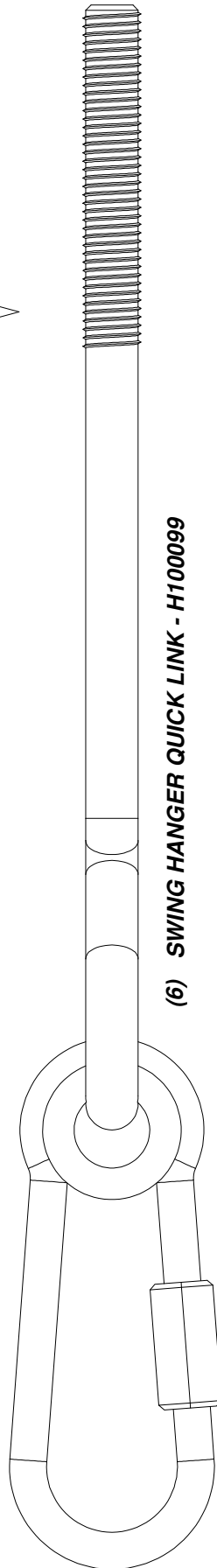
(9) NUT LOCK 5/16 - H100110



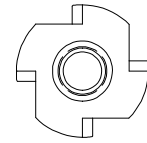
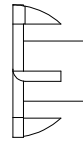
(4) WASHER SPLIT 5/16 - H100095



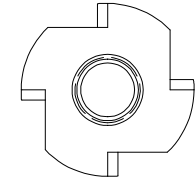
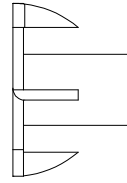
(13) WASHER FLAT 8x27 - H100105



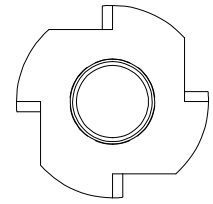
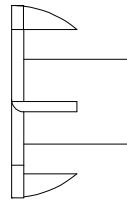
(6) SWING HANGER QUICK LINK - H100099



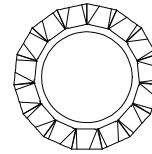
(4) T-NUT 1/4 - H100072



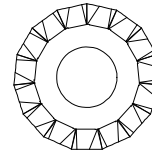
(6) T-NUT 5/16 - H100074



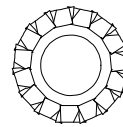
(6) T-NUT 3/8 - H100073



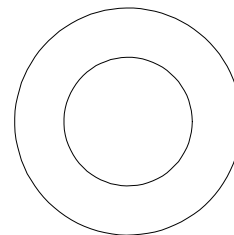
(58) WASHER LOCK EXT 12x19 - H100031



(73) WASHER LOCK EXT 8x19 - H100030



(4) WASHER LOCK EXT 6x15 - H100138

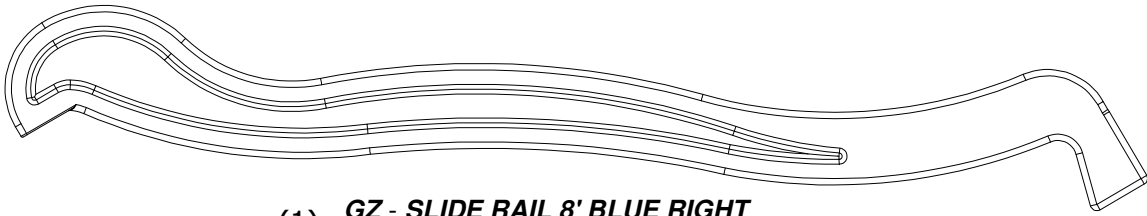


(4) WASHER SAFETY 17x30 - H100103

# Parts Identification

## Accessories

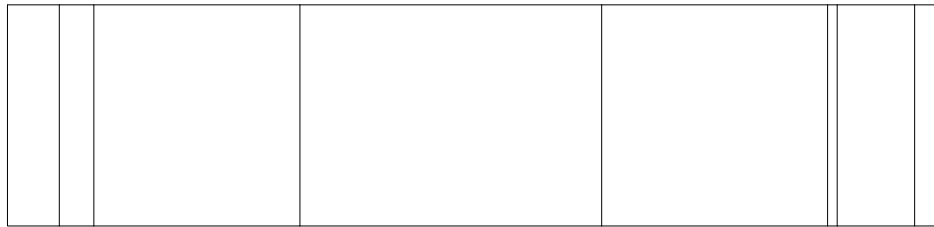
(NOT TO SCALE)



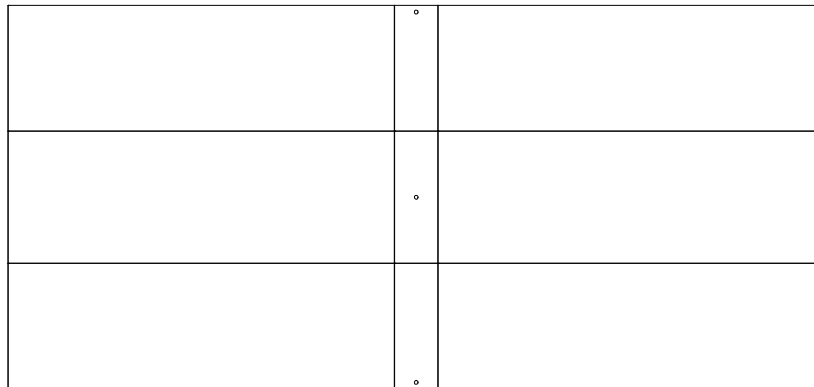
(1) **GZ - SLIDE RAIL 8' BLUE RIGHT**  
-A100161



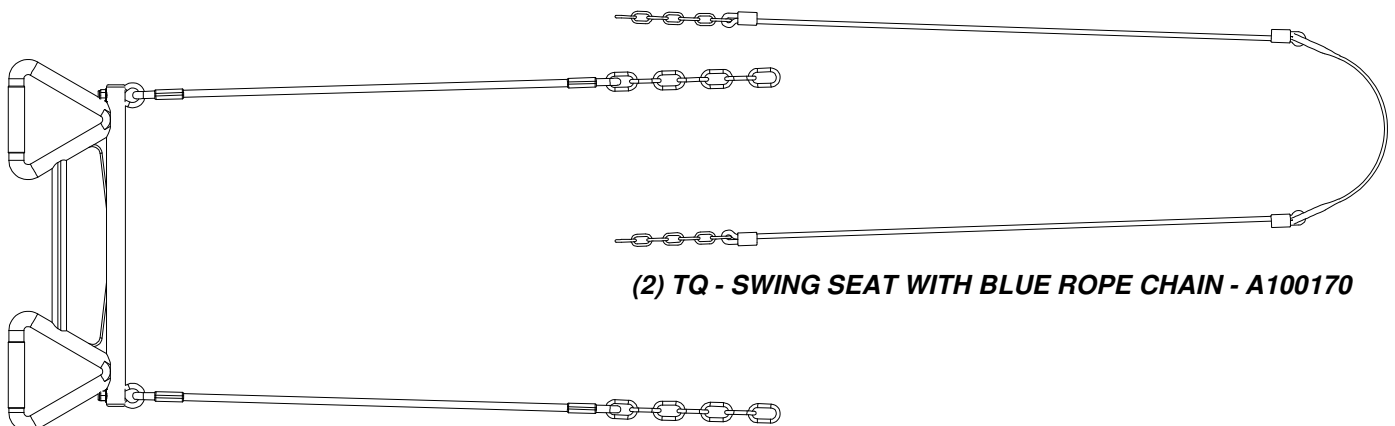
(1) **HA - SLIDE RAIL 8' BLUE LEFT**  
-A100162



(1) **EM - SLIDE BED 8' YELLOW**  
-A100056



(1) **SC - TARP .4x760x2505**  
-A100310



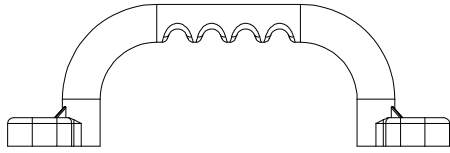
(2) **TQ - SWING SEAT WITH BLUE ROPE CHAIN - A100170**

(1) **KF - TRAPEZE WITH BLUE ROPE CHAIN - A100109**

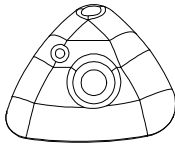
# Parts Identification

## Accessories

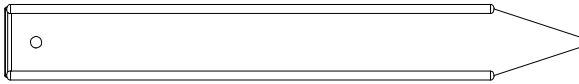
(NOT TO SCALE)



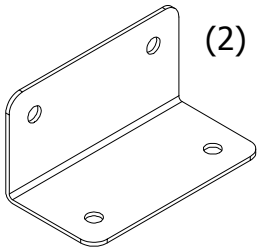
(2) **EA - HAND GRIP YELLOW PLASTIC**  
-A100043



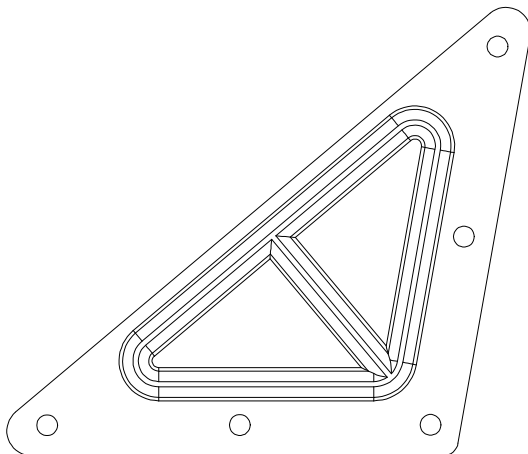
(6) **GX - CLIMBING ROCK BLUE SMALL**  
-A100159



(6) **KD - PLASTIC GROUND STAKE BROWN**  
-A100179

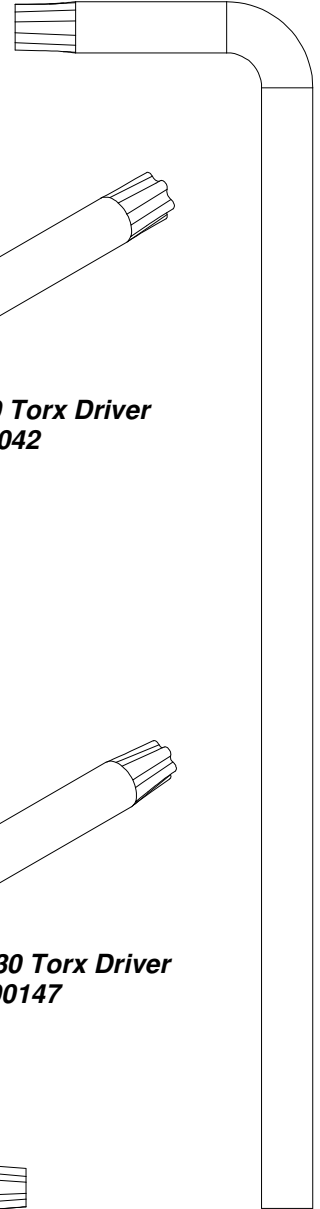


(2) **GQ - L BRACKET 66x66x127 BLUE**  
-A100153

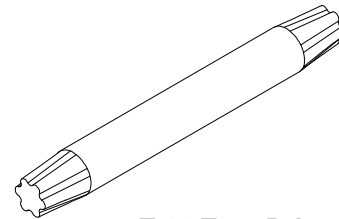


(2) **SB - TRIANGLE PLATE 100 5 HOLE**  
-A100309

(2) - T-40 Wrench  
-A100041



(2) - T-40 Torx Driver  
-A100042



(2) - T-30 Torx Driver  
-A100147

(2) - T-30 Wrench  
-H100114



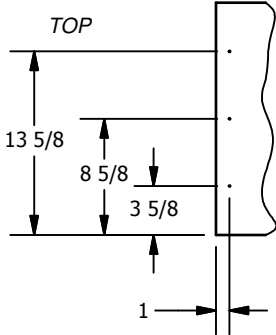
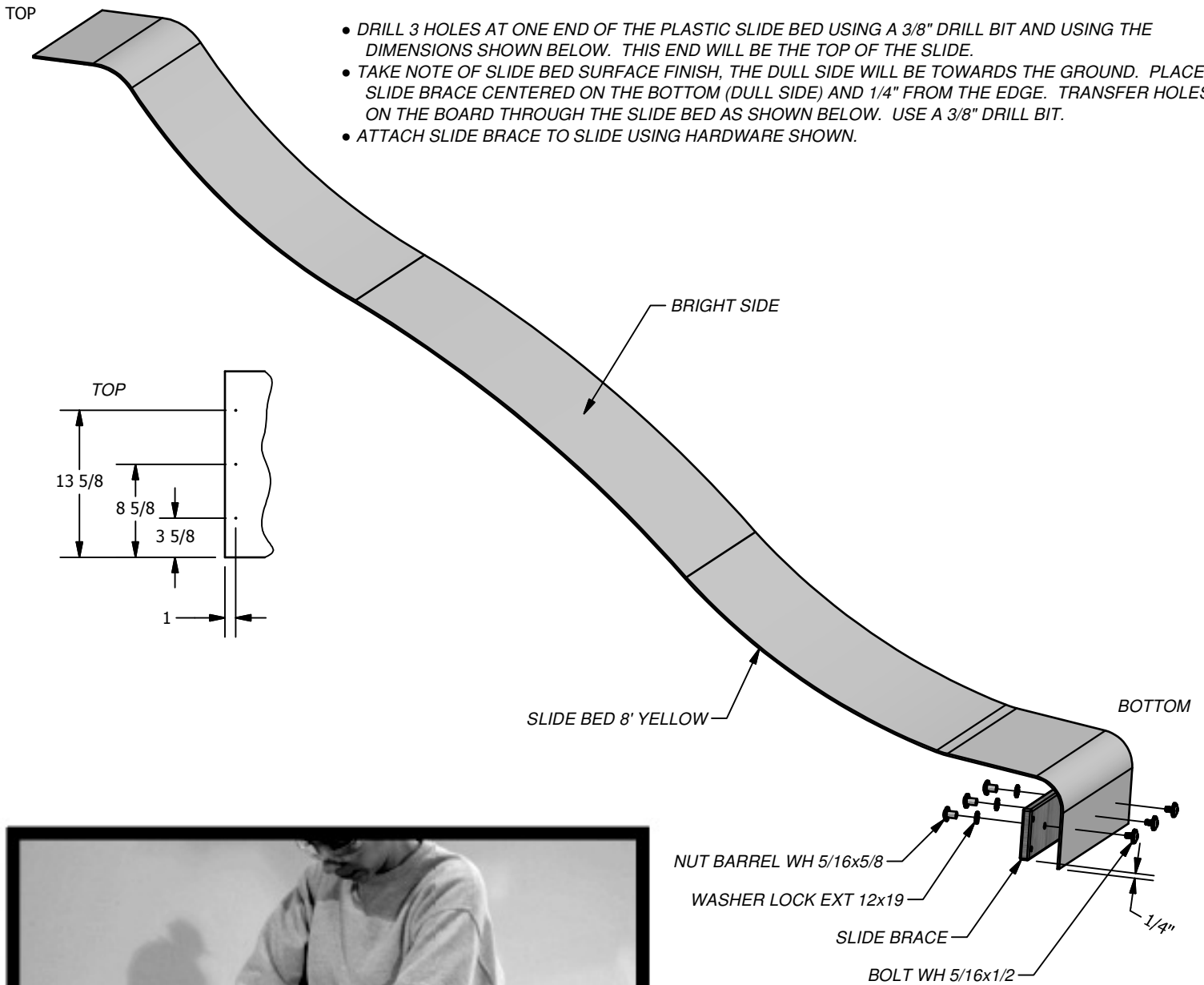
(1) **BYD ID TAG (LARGE) 2011 WITH AGES - A100164**

# 8 FOOT SLIDE ASSEMBLY

## PHASE 1

### STEP 1

- DRILL 3 HOLES AT ONE END OF THE PLASTIC SLIDE BED USING A 3/8" DRILL BIT AND USING THE DIMENSIONS SHOWN BELOW. THIS END WILL BE THE TOP OF THE SLIDE.
- TAKE NOTE OF SLIDE BED SURFACE FINISH, THE DULL SIDE WILL BE TOWARDS THE GROUND. PLACE SLIDE BRACE CENTERED ON THE BOTTOM (DULL SIDE) AND 1/4" FROM THE EDGE. TRANSFER HOLES ON THE BOARD THROUGH THE SLIDE BED AS SHOWN BELOW. USE A 3/8" DRILL BIT.
- ATTACH SLIDE BRACE TO SLIDE USING HARDWARE SHOWN.



TIP: PREBENDING THE ENDS WILL EASE ASSEMBLY.

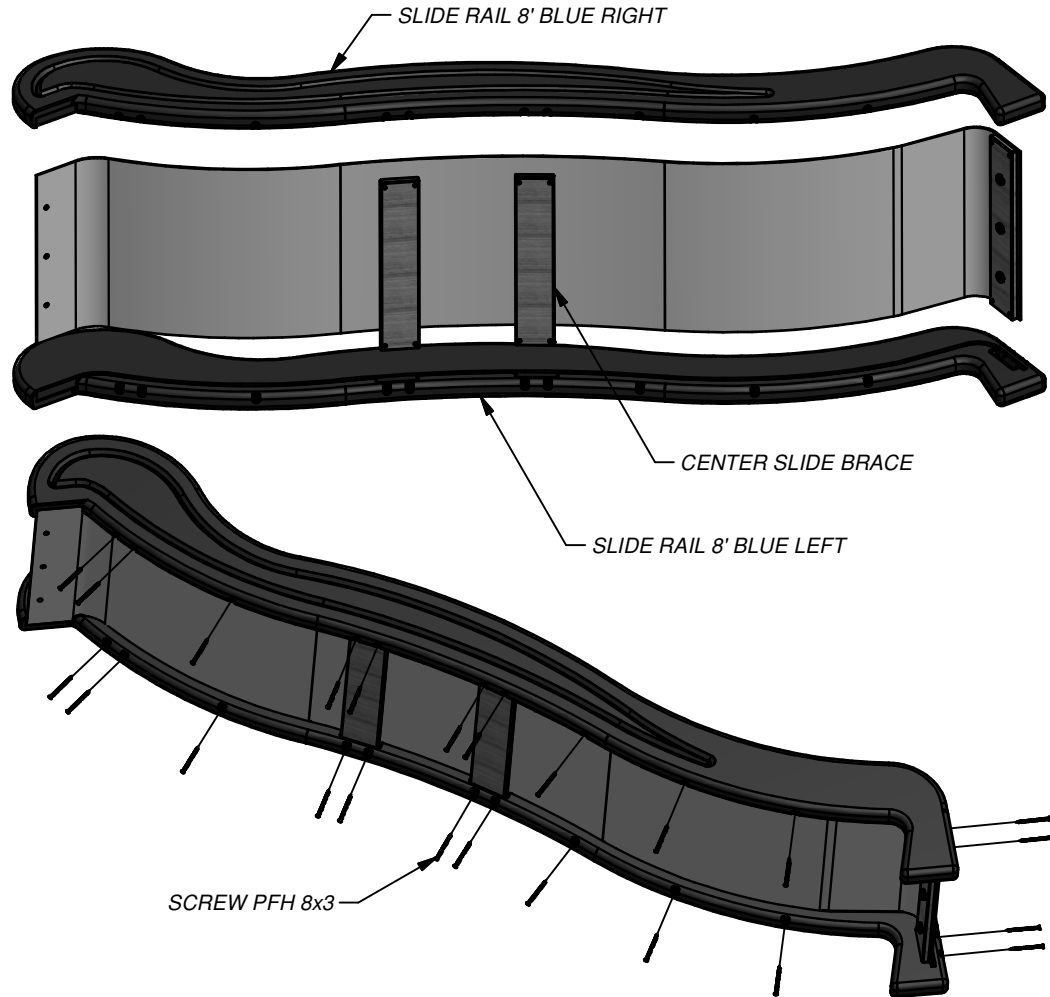
# 8 FOOT SLIDE ASSEMBLY

## STEP 2

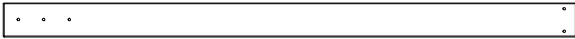
PLACE 1 SLIDE RAIL ON A FLAT SURFACE AND BEGIN INSERTING SLIDE BED AT THE BOTTOM OF THE SLIDE RAIL. PUT SLIDE SUPPORT BOTTOM INTO THE SUPPORT POCKET AT THE BOTTOM OF THE RAIL AND HAVE A HELPER BEND THE SLIDE BED TOWARDS THE TOP OF THE SLIDE AND INSERT THE BED INTO THE SLIDE CAVITY. MAKE SURE SLIDE BED IS COMPLETELY DOWN IN THE SLIDE CAVITY.

PLACE THE OTHER SLIDE RAIL ON A FLAT SURFACE WITH THE SLIDE CAVITY UP. HAVE A HELPER HOLD THE TOP END OF SLIDE BED AND BEGIN INSERTING THE SLIDE BED AND SLIDE BRACES INTO THE CAVITY AND SUPPORT POCKETS STARTING AT THE BOTTOM OF SLIDE AND WORKING UP TO THE TOP.

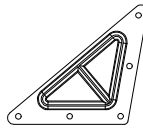
ONCE BED AND BRACES ARE COMPLETELY IN THE CAVITY AND IN THE SUPPORT POCKETS, SECURE USING 3" SCREWS AT EACH OF THE PILOT HOLE LOCATIONS AS SHOWN BELOW.



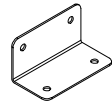
TIP: A HELPER IS REQUIRED FOR THIS PHASE.



(1) **SB74 - SWING BEAM - W102304**  
 2"x5 1/4"x89 1/2" (50x134x2274)



(2) **SB - TRIANGLE PLATE 100 5 HOLE - A100309**



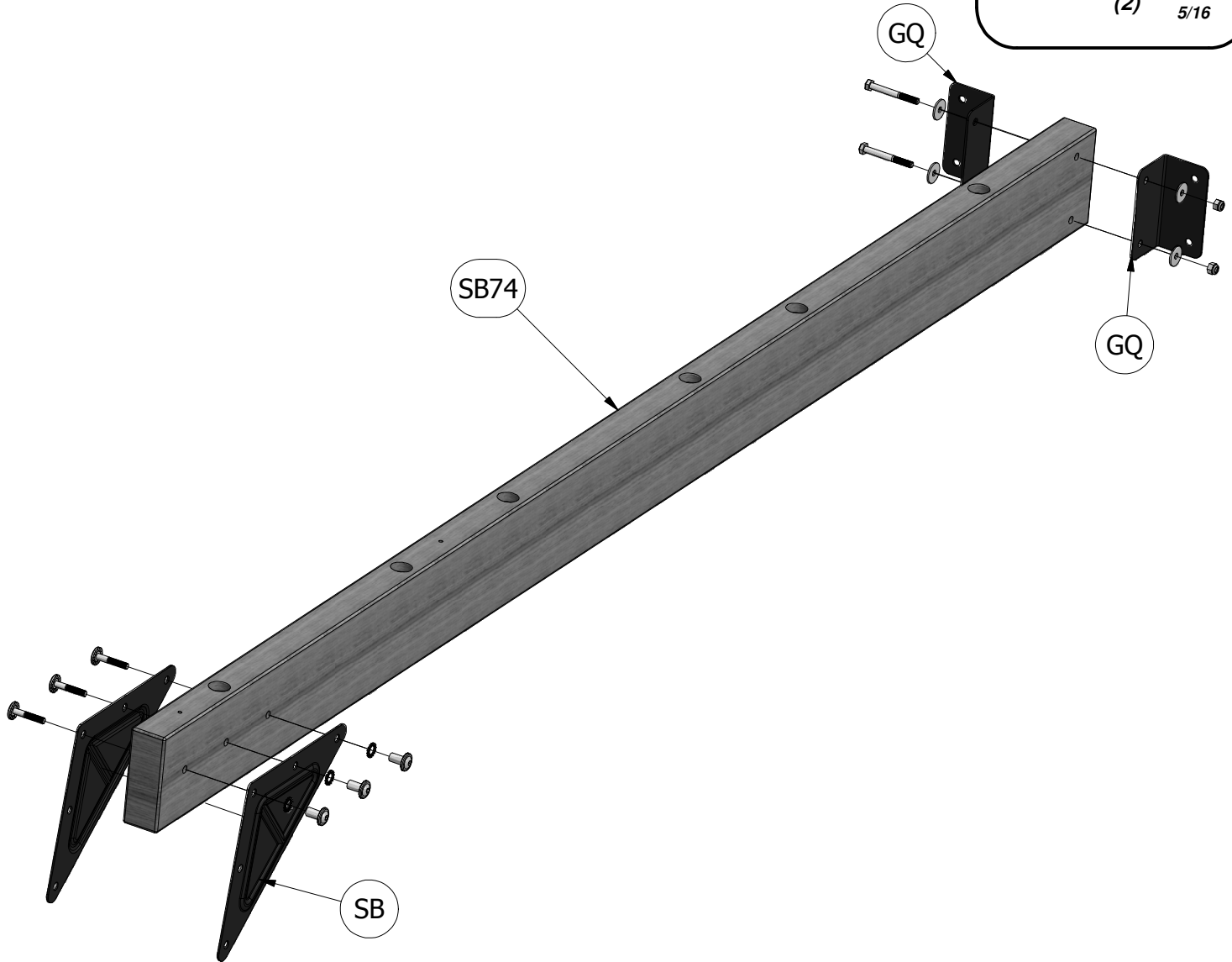
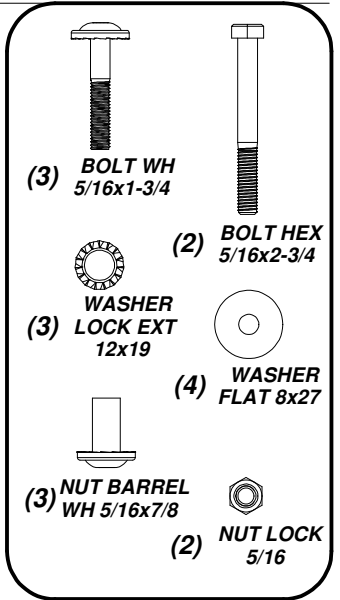
(2) **GQ - L BRACKET 66x66x127 BLUE - A100153**

# SWING BEAM ASSEMBLY

## STEP 1

**ATTACH (2) SB TRIANGLE PLATES TO SB74 SWING BEAM USING 1-3/4" BOLTS, LOCK WASHER AND 7/8" BARREL NUT.**

**ATTACH (2) GQ L BRACKETS TO SB74 SWING BEAM USING 2-3/4" HEX BOLTS, FLAT WASHERS AND 5/16" LOCK NUTS.**





(1) **W71 - SWING BEAM SUPPORT - W102349**  
 2"x3 3/8"x47 3/8" (50x86x1204)

(1) **H79 - END SUPPORT - W100992**  
 1"x3 1/2"x42" (24x86x1072)

(2) **E77 - ANGLE BRACE - W100991**  
 1 3/8"x3 3/8"x74 3/8" (36x86x1890)

(1) **H80 - GROUND BOARD - W100990**  
 1"x3 3/8"x87 3/8" (24x86x2218)

# SWING BEAM ASSEMBLY

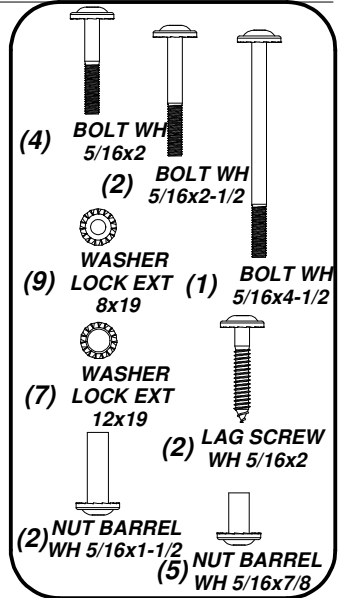
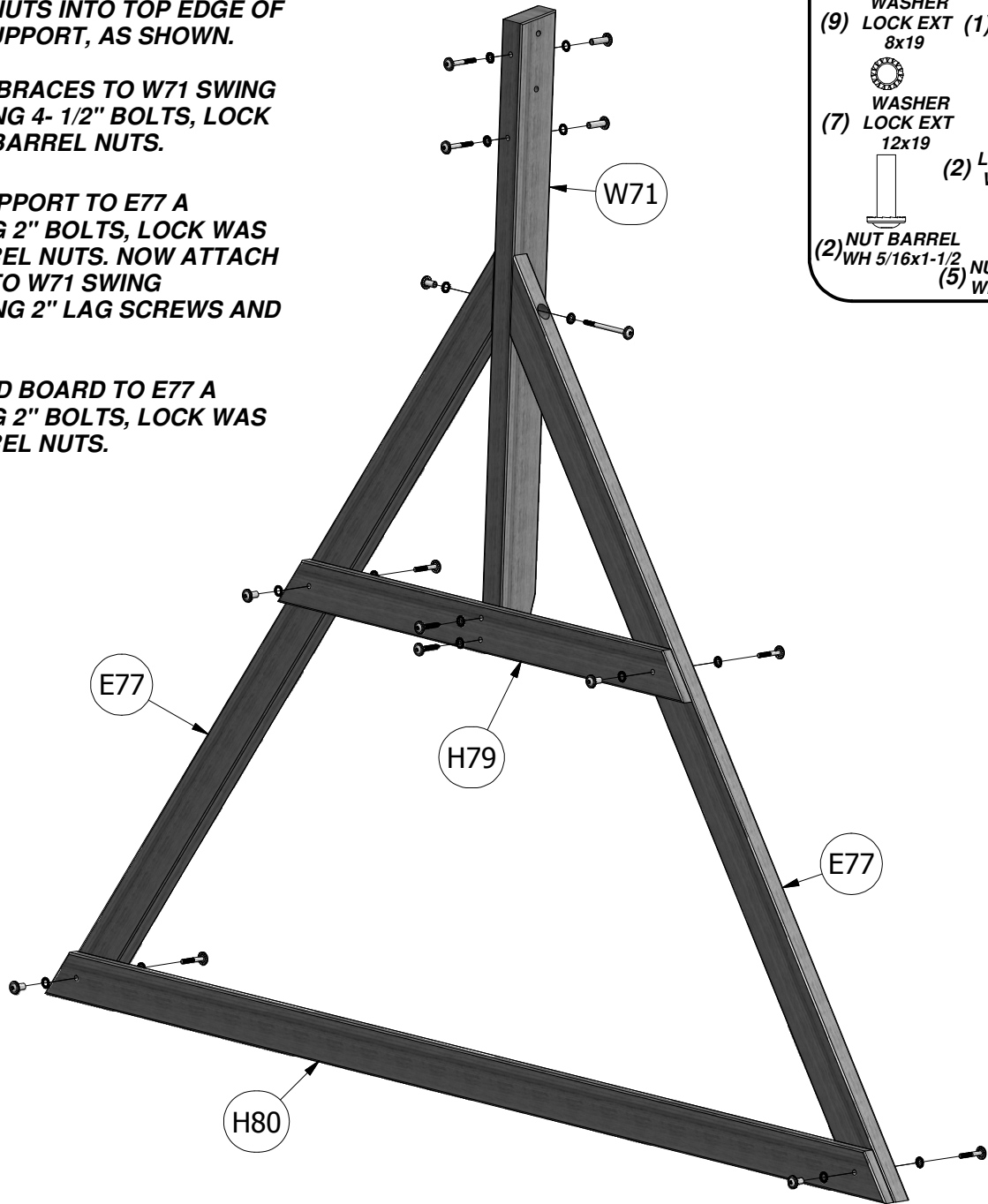
## STEP 2

**INSERT (2) 2-1/2" BOLTS, LOCK WASHERS AND 1-1/2" BARREL NUTS INTO TOP EDGE OF W71 SWING BEAM SUPPORT, AS SHOWN.**

**ATTACH E77 ANGLE BRACES TO W71 SWING BEAM SUPPORT USING 4- 1/2" BOLTS, LOCK WASHERS AND 7/8" BARREL NUTS.**

**ATTACH H79 END SUPPORT TO E77 ANGLE BRACES USING 2" BOLTS, LOCK WASHERS AND 7/8" BARREL NUTS. NOW ATTACH H79 END SUPPORT TO W71 SWING BEAM SUPPORT USING 2" LAG SCREWS AND LOCK WASHERS.**

**ATTACH H80 GROUND BOARD TO E77 ANGLE BRACES USING 2" BOLTS, LOCK WASHERS AND 7/8" BARREL NUTS.**

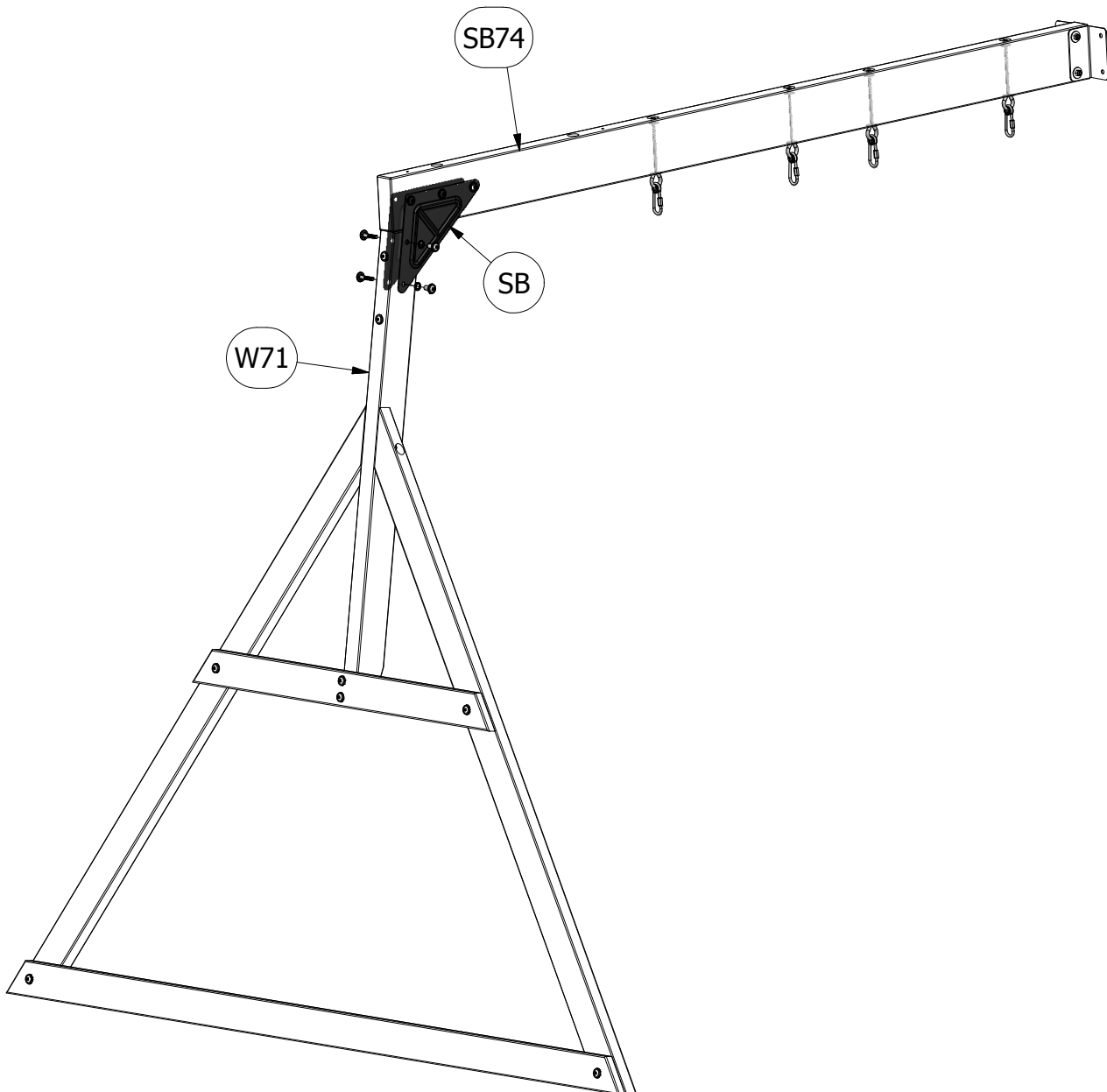
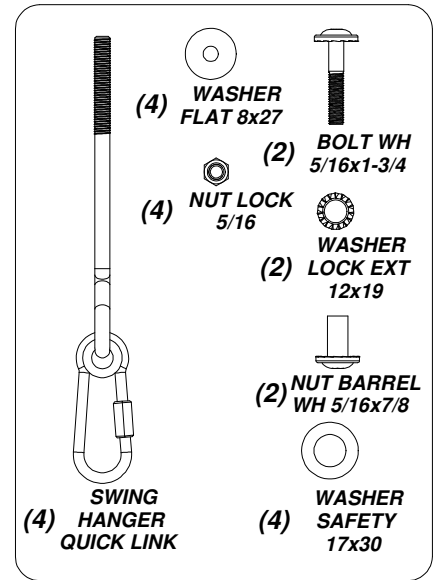


# SWING BEAM ASSEMBLY

## STEP 3

ATTACH (2) SB TRIANGLE PLATES TO W71 SWING BEAM SUPPORT USING 1-3/4" BOLTS, LOCK WASHER AND 7/8" BARREL NUT.

INSERT SWING HANGER QUICK LINK AND SAFETY WASHER INTO HOLES IN THE EDGE OF SB74 SWING BEAM. SECURE SWING HANGER TO W71 SWING BEAM USING FLAT WASHERS AND 5/16" LOCK NUTS.



(1) **K1 - GROUND BOARD - W102299**  
5/8"x5 1/4"x88 7/8" (16x134x2256)

(2) **E1 - FORT UPRIGHT - W102297**  
1 3/8"x3 3/8"x83" (36x86x2108)

(1) **H1 - ROOF CROSS BRACE - W102301**  
1"x3 3/8"x62 1/2" (24x86x1588)

(2) **M1 - ANGLE BRACE - W102310**  
5/8"x3 3/8"x59" (16x86x1500)

(1) **K3 - WALL RAIL - W102302**  
5/8"x5 1/4"x30" (16x134x762)

(1) **M6 - FLOOR SUPPORT - W102331**  
5/8"x3 3/8"x30" (16x86x762)

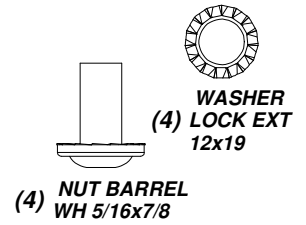
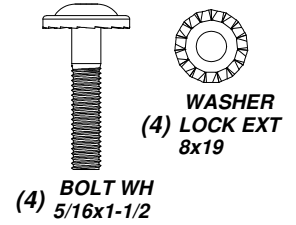
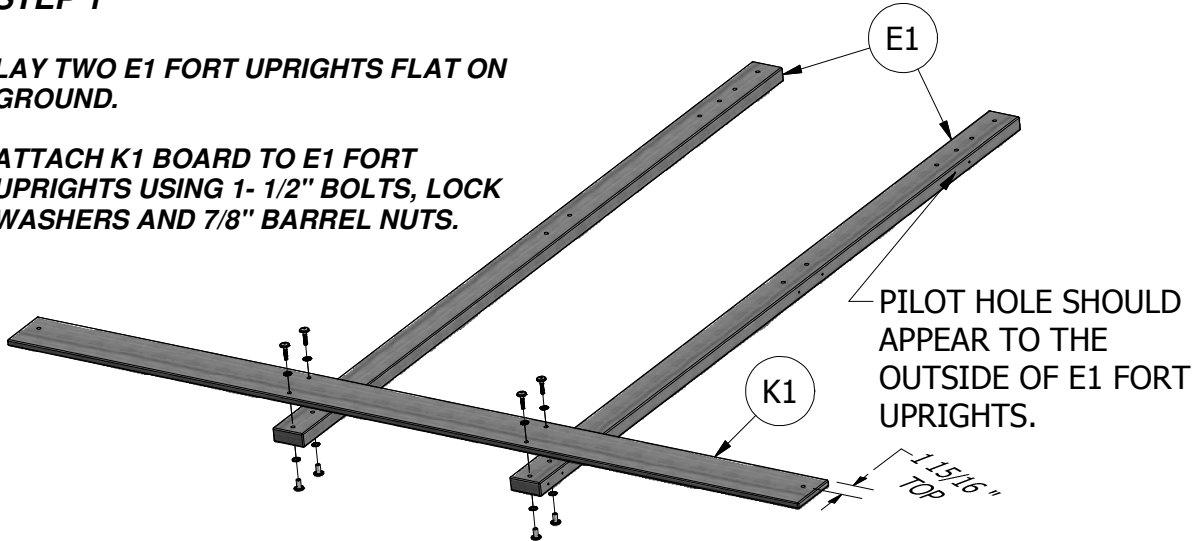
(1) **H4 - FLOOR JOIST - W102308**  
1"x3 3/8"x30" (24x86x762)

(1) **H5 - SWINGBEAM RAIL - W102303**  
1"x3 3/8"x30" (24x86x762)

### STEP 1

**LAY TWO E1 FORT UPRIGHTS FLAT ON GROUND.**

**ATTACH K1 BOARD TO E1 FORT UPRIGHTS USING 1- 1/2" BOLTS, LOCK WASHERS AND 7/8" BARREL NUTS.**

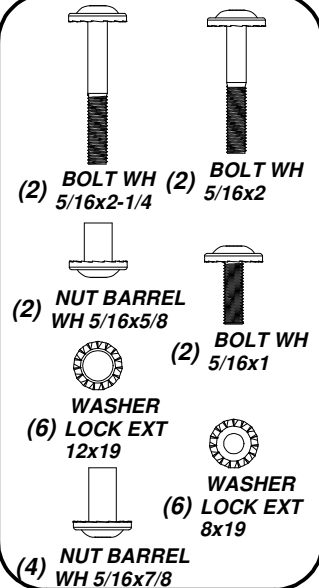
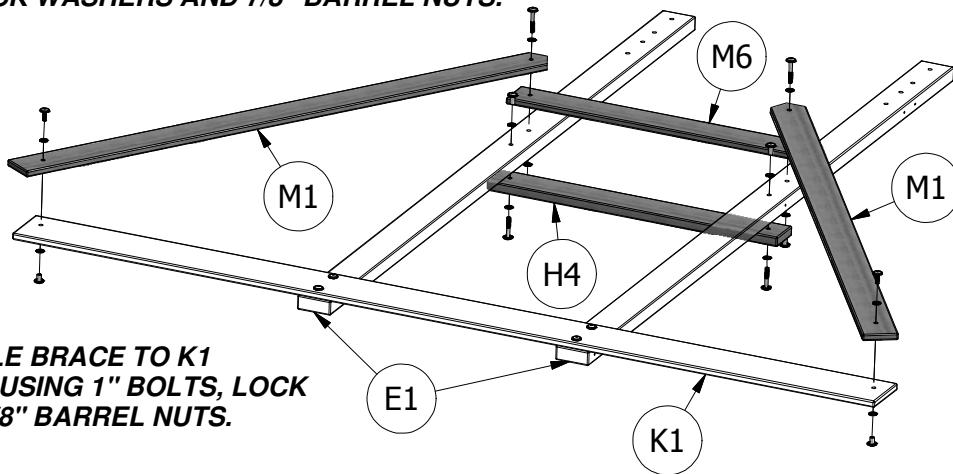


### STEP 2

**ATTACH M1 ANGLE BRACE AND M6 FLOOR SUPPORT TO E1 FORT UPRIGHTS USING 2-1/4" BOLTS, LOCK WASHERS AND 7/8" BARREL NUTS.**

**ATTACH H4 FLOOR JOIST TO E1 FORT UPRIGHTS USING 2" BOLTS, LOCK WASHERS AND 7/8" BARREL NUTS.**

**ATTACH M1 ANGLE BRACE TO K1 GROUND BOARD USING 1" BOLTS, LOCK WASHERS AND 5/8" BARREL NUTS.**

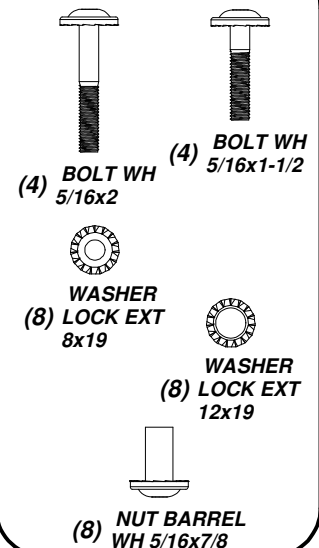
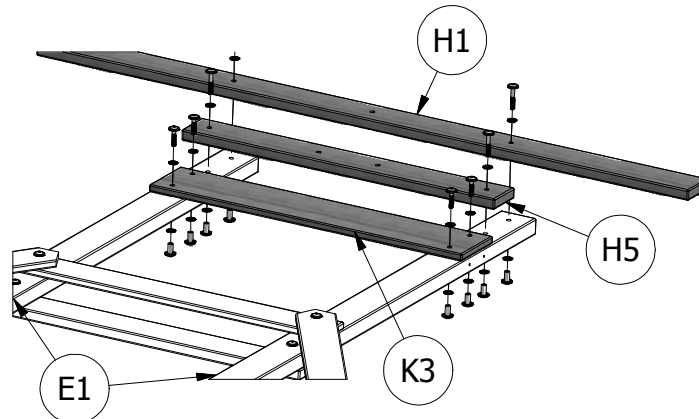


### STEP 3

**ATTACH K3 WALL RAIL TO E1 FORT UPRIGHTS USING 1-1/2" BOLTS, LOCK WASHERS AND 7/8" BARREL NUTS.**

**ATTACH H5 SWINGBEAM RAIL TO E1 FORT UPRIGHTS USING 2" BOLTS, LOCK WASHERS AND 7/8" BARREL NUTS.**

**ATTACH H1 ROFF CROSS BRACE TO E1 FORT UPRIGHTS USING 2" BOLTS, LOCK WASHERS AND 7/8" BARREL NUTS.**



(2) **E1 - FORT UPRIGHT - W102297**  
 1 3/8"x3 3/8"x83" (36x86x2108)

(1) **H1 - ROOF CROSS BRACE - W102301**  
 1"x3 3/8"x62 1/2" (24x86x1588)

(2) **K3 - WALL RAIL - W102302**  
 5/8"x5 1/4"x30" (16x134x762)

(1) **M6 - FLOOR SUPPORT - W102331**  
 5/8"x3 3/8"x30" (16x86x762)

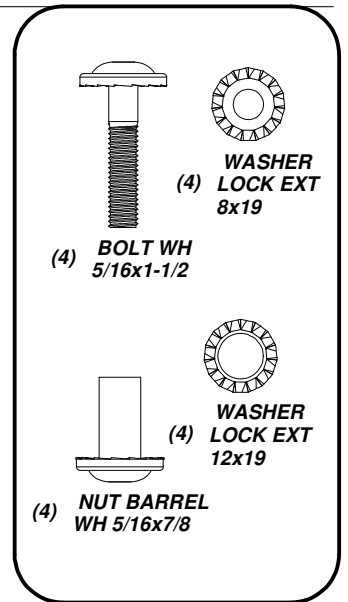
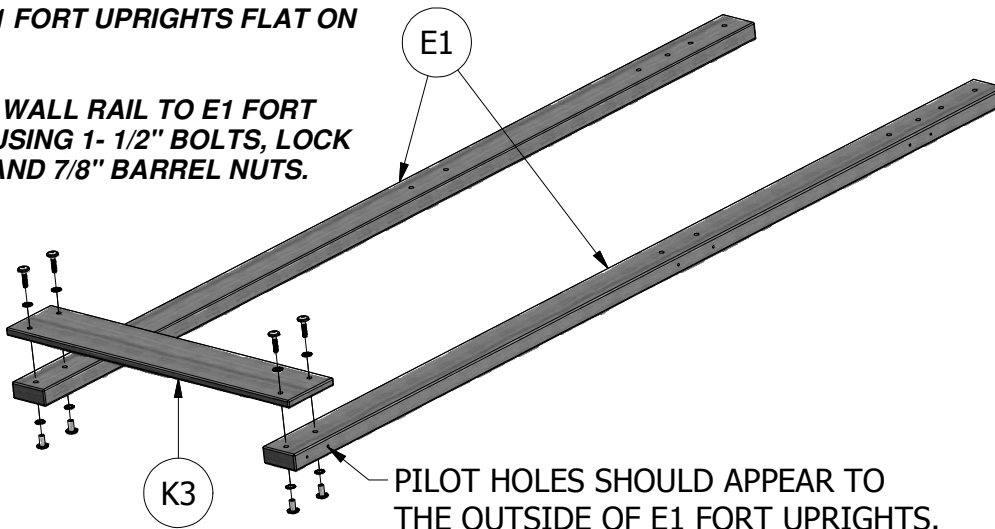
(1) **H4 - FLOOR JOIST - W102308**  
 1"x3 3/8"x30" (24x86x762)

(1) **O1 - SAFETY BOARD - W102307**  
 5/8"x1 3/8"x30" (16x34x762)

## STEP 4

LAY TWO E1 FORT UPRIGHTS FLAT ON GROUND.

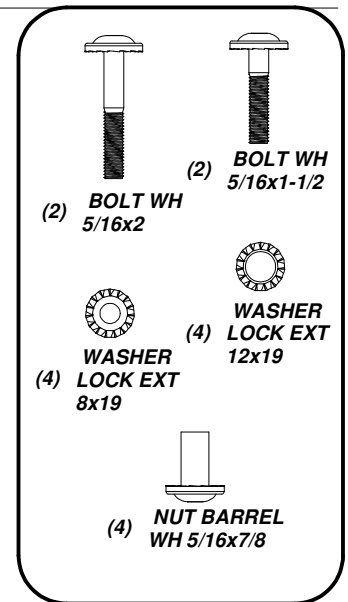
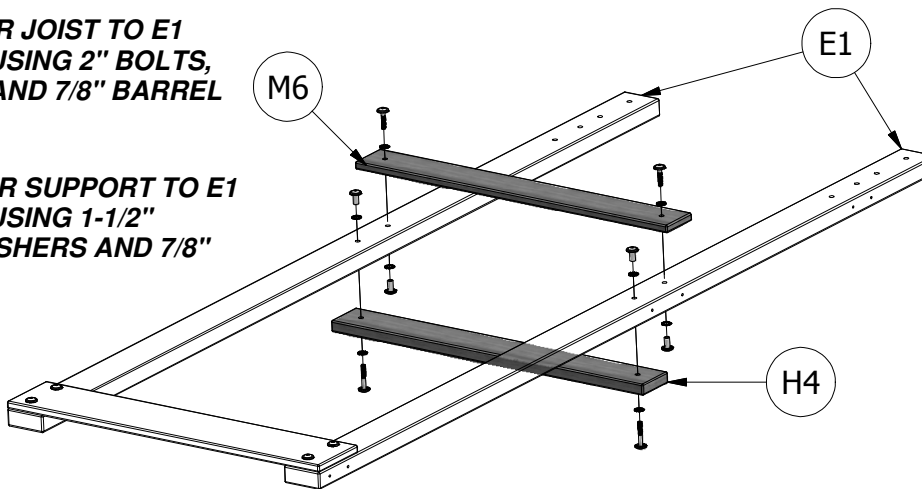
ATTACH K3 WALL RAIL TO E1 FORT UPRIGHTS USING 1- 1/2" BOLTS, LOCK WASHERS AND 7/8" BARREL NUTS.



## STEP 5

ATTACH H4 FLOOR JOIST TO E1 FORT UPRIGHTS USING 2" BOLTS, LOCK WASHERS AND 7/8" BARREL NUTS.

ATTACH M6 FLOOR SUPPORT TO E1 FORT UPRIGHTS USING 1-1/2" BOLTS, LOCK WASHERS AND 7/8" BARREL NUTS.

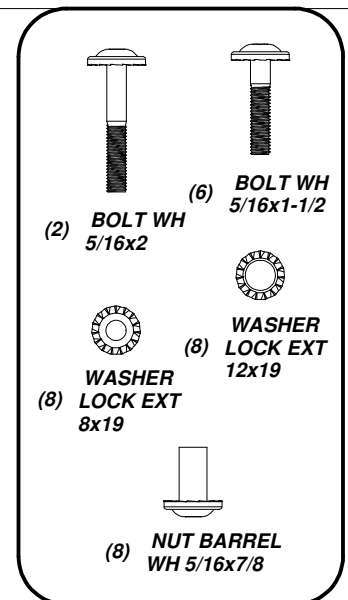
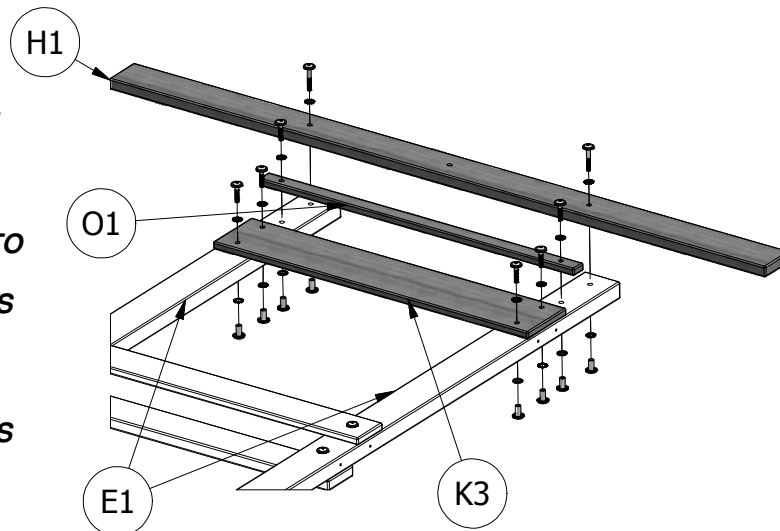


## STEP 6

ATTACH K3 WALL RAIL TO E1 FORT UPRIGHTS USING 1-1/2" BOLTS, LOCK WASHERS AND 7/8" BARREL NUTS.

ATTACH O1 SAFETY BOARD TO E1 FORT UPRIGHTS USING 1-1/2" BOLTS, LOCK WASHERS AND 7/8" BARREL NUTS.

ATTACH H1 ROFF CROSS BRACE TO E1 FORT UPRIGHTS USING 2" BOLTS, LOCK WASHERS AND 7/8" BARREL NUTS.



(2) **K4 - ARCHED WALL RAIL - W102306**  
5/8"x5 1/4"x30" (16x134x762)

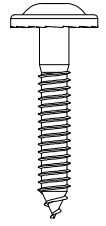
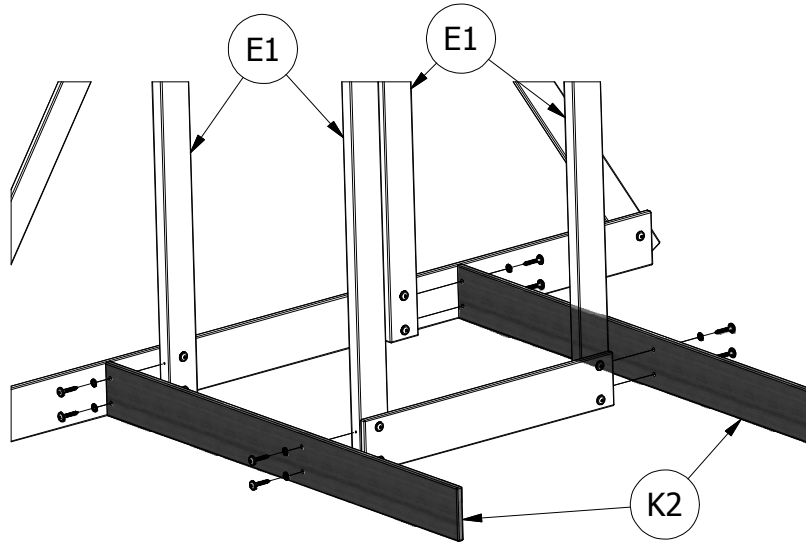
(2) **M5 - FLOOR SUPPORT - W102309**  
5/8"x3 3/8"x30" (16x86x762)

(2) **K2 - GROUND BOARD - W102298**  
5/8"x5 1/4"x52 1/2" (16x134x1334)

(2) **M2 - TARP SUPPORT - W102337**  
5/8"x3 3/8"x31 7/8" (16x86x810)

## STEP 7

**STAND UP UPRIGHT ASSEMBLIES AND ATTACH (2) K2 GROUND BOARDS TO E1 FORT UPRIGHTS USING 2" LAG SCREWS AND LOCK WASHERS.**



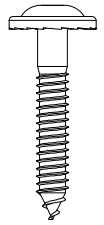
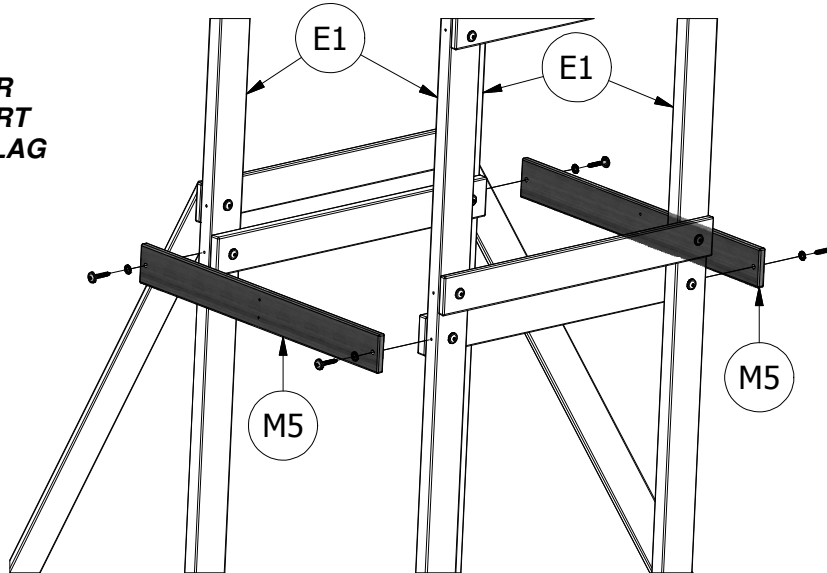
(8) **LAG SCREW**  
WH 5/16x2



(8) **WASHER**  
LOCK EXT  
8x19

## STEP 8

**ATTACH (2) M5 FLOOR SUPPORTS TO E1 FORT UPRIGHTS USING 2" LAG SCREWS AND LOCK WASHERS.**



(4) **LAG SCREW**  
WH 5/16x2

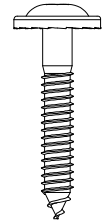
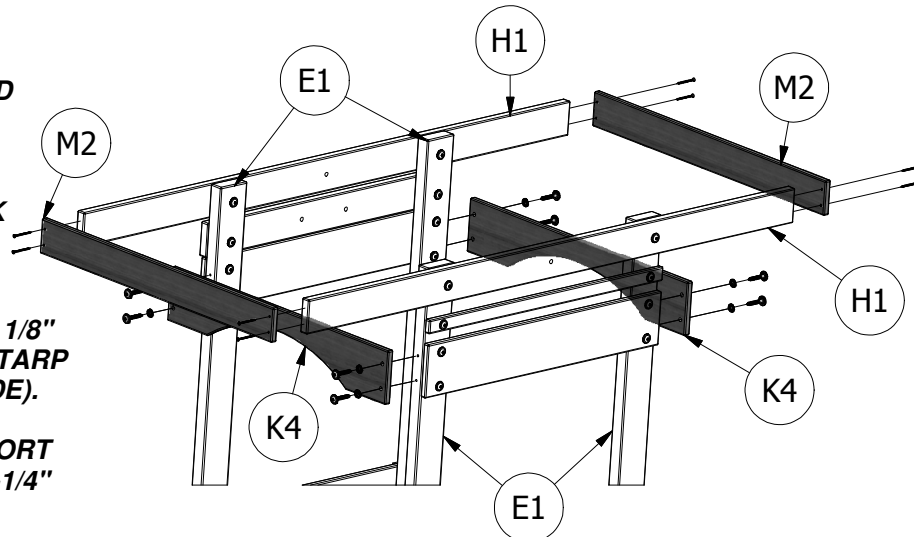


(4) **WASHER**  
LOCK EXT  
8x19

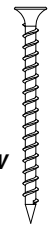
## STEP 9

**ATTACH K4 ARCHED WALL RAILS TO E1 FORT UPRIGHTS USING 2" LAG SCREWS AND LOCK WASHERS.**

**PILOT DRILL USING 1/8" BIT (USE HOLES IN TARP SUPPORTS AS GUIDE). ATTACH M2 TARP SUPPORTS TO E1 FORT UPRIGHTS USING 2-1/4" WOOD SCREWS.**



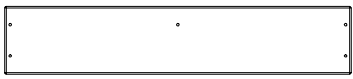
(8) **LAG SCREW**  
WH 5/16x2



(8) **SCREW PFH**  
8x2-1/4



(8) **WASHER**  
LOCK EXT  
8x19



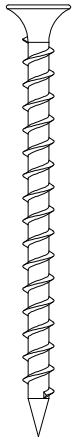
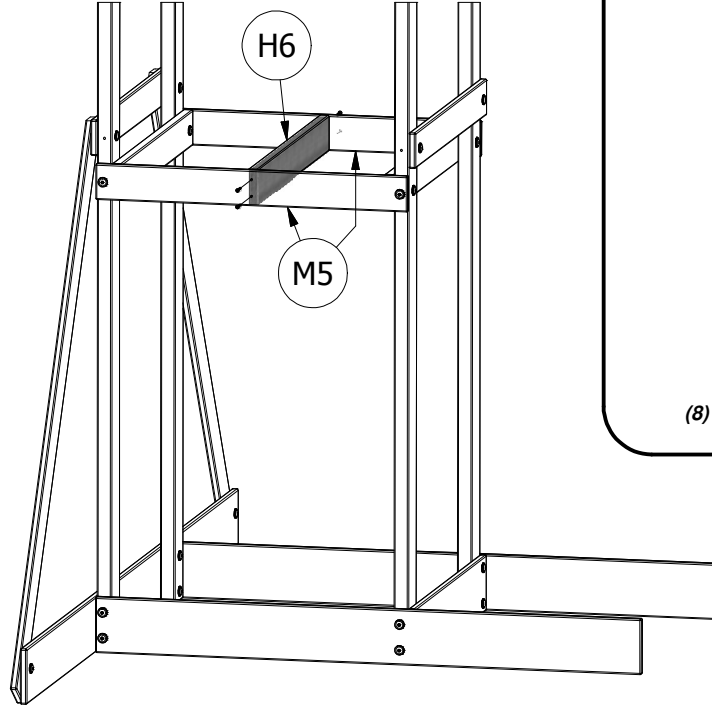
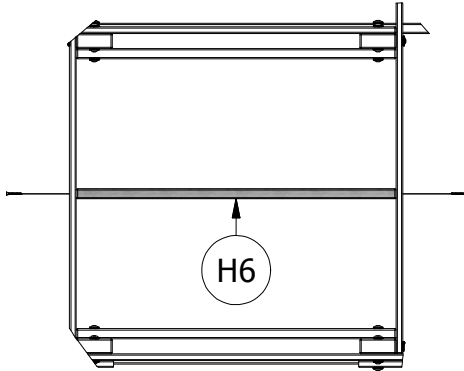
(2) **K5 - OUTER FLOOR BOARD - W102333**  
5/8"x5 1/4"x27 1/8" (16x134x688)



(1) **H6 - FLOOR SUPPORT - W102338**  
1"x3 3/8"x30" (24x86x762)

## STEP 10

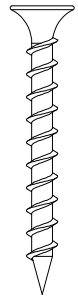
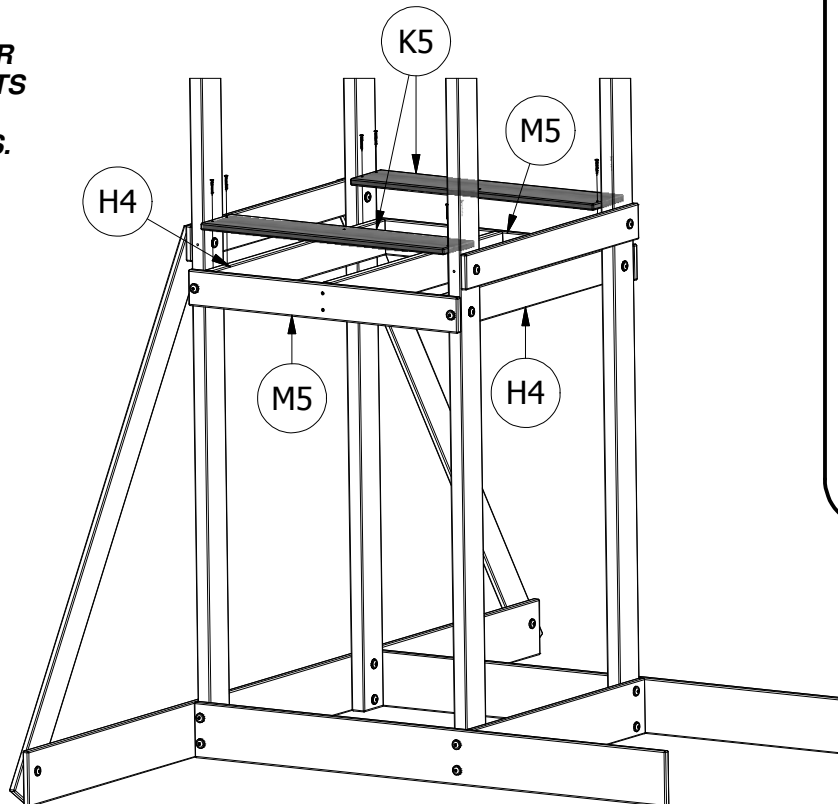
**ATTACH H6 FLOOR SUPPORT TO M5 FLOOR SUPPORTS USING 2-1/4" SCREWS.**



(8) **SCREW PFH**  
8x2-1/4

## STEP 11

**ATTACH (2) K5 OUTER FLOOR BOARDS TO H4 FLOOR JOISTS AND M5 FLOOR SUPPORTS USING 1-1/2" WOOD SCREWS.**



(4) **SCREW PFH**  
8x1-1/2



(6) **M4 - FLOOR BOARD - W102332**  
5/8"x3 3/8"x30 7/8" (16x86x785)

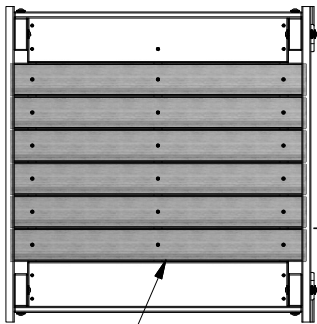


(2) **M12 - WALL RAIL - W102339**  
5/8"x3 3/8"x4" (16x86x102)

### STEP 12

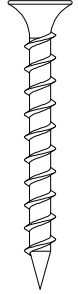
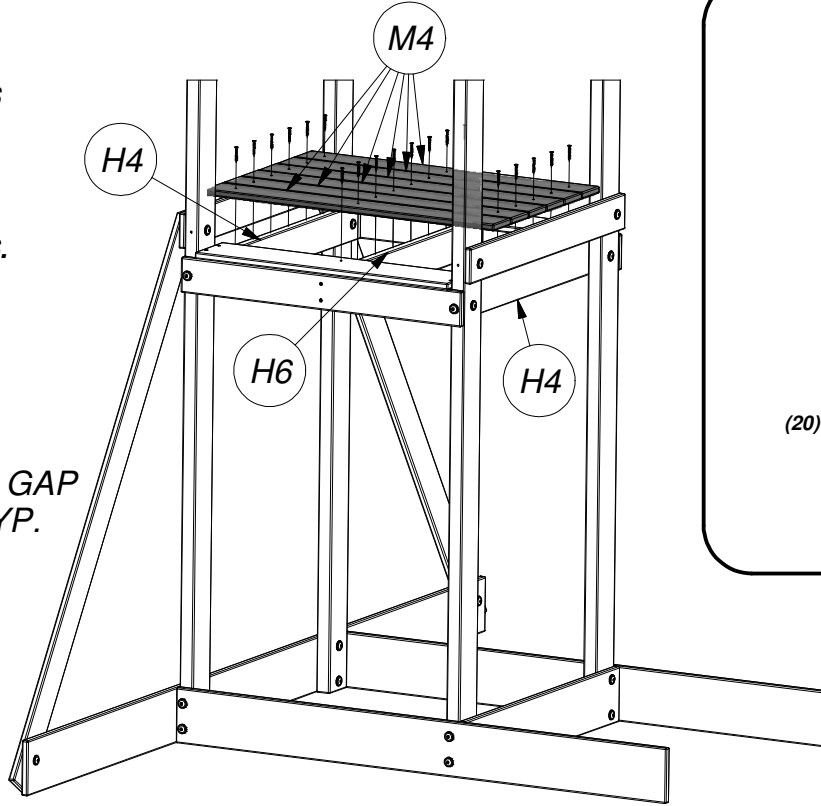
**EVENLY SPACE (6) M4 FLOOR BOARDS AND ATTACH TO H4 FLOOR JOISTS USING 1-1/2" SCREWS.**

**ATTACH H6 FLOOR SUPPORT TO M4 FLOOR BOARDS USING 1-1/2" SCREWS.**



1/16 GAP  
TYP.

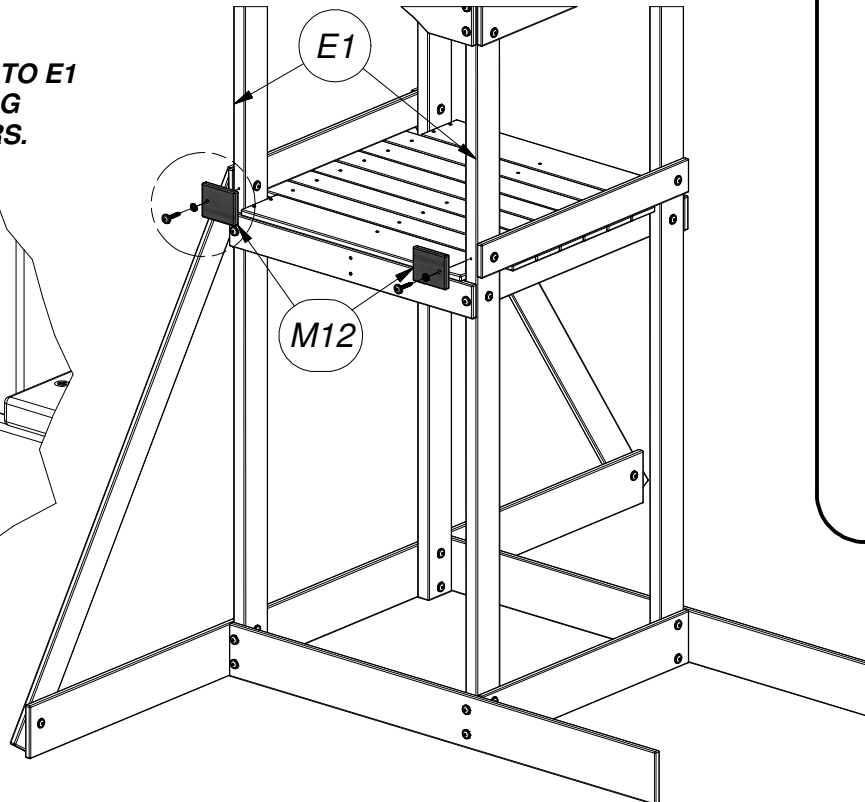
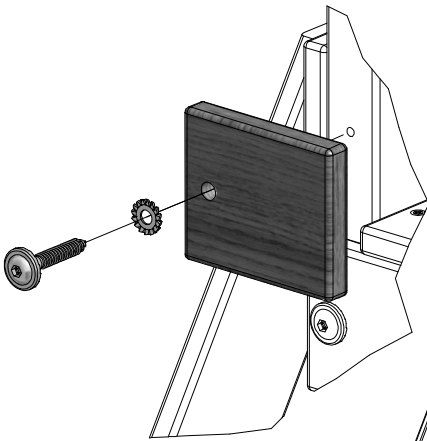
M4



(20) **SCREW PFH**  
8x1-1/2"

### STEP 13

**ATTACH (2) M12 WALL RAILS TO E1 FORT UPRIGHTS USING 2" LAG SCREWS AND LOCK WASHERS.**

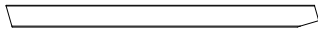


(2) **LAG SCREW**  
WH 5/16x2

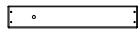


(2) **WASHER**  
LOCK EXT  
8x19

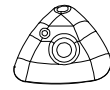




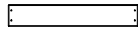
(2) **H2 - ROCKWALL SUPPORT - W102334**  
1"x3 3/8"x48 7/8" (24x86x1242)



(6) **M11 - ROCKWALL BOARD - W102336**  
5/8"x3 3/8"x20 1/4" (16x86x514)



(6) **GX - CLIMBING ROCK BLUE SMALL - A100159**

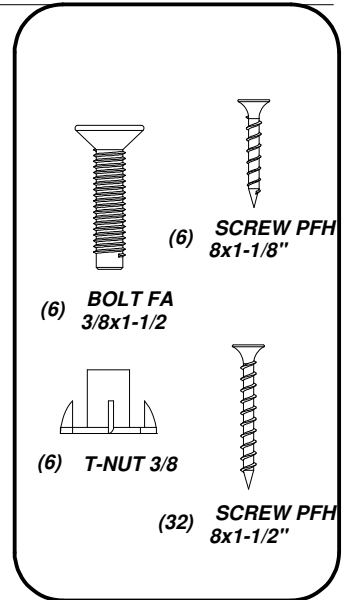
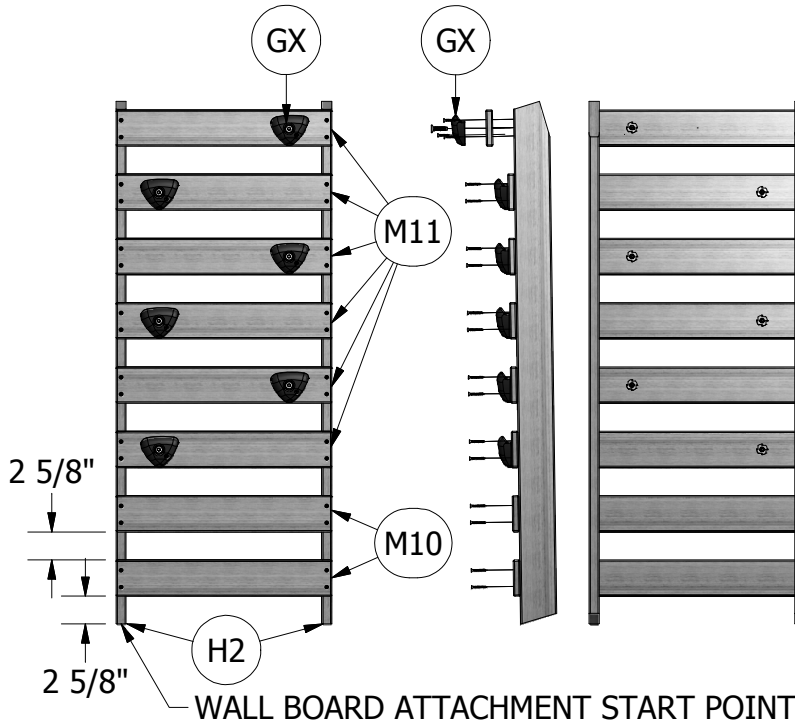
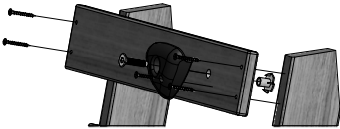


(2) **M10 - ROCKWALL BOARD - W102335**  
5/8"x3 3/8"x20 1/4" (16x86x514)

## STEP 14

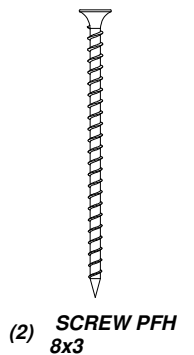
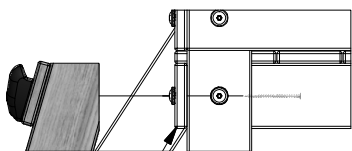
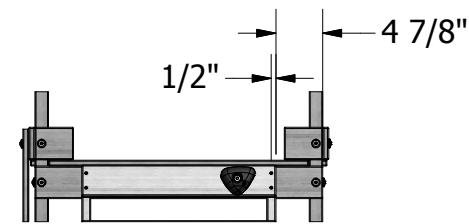
TO BUILD THE ROCK WALL LADDER ASSEMBLY, START BY ATTACHING THE GX CLIMBING ROCKS TO M11 WALL BOARDS USING 1-1/2" BOLTS, 3/8" T-NUTS AND 1-1/8" WOOD SCREWS.

STARTING AT THE BOTTOM OF H2 ROCK WALL SUPPORTS, ATTACH M10 AND M11 ROCK WALL BOARDS FLUSH WITH OUTSIDE EDGES OF H2 SUPPORTS AND 2-5/8" UP FROM START POINT USING 1-1/2" WOOD SCREWS, AS SHOWN.



## STEP 15

PILOT DRILL USING 1/8" BIT AND ATTACH ROCK WALL LADDER ASSEMBLY TO M5 FLOOR SUPPORT USING 3" WOOD SCREWS. SEE LOCATION DIAGRAM BELOW FOR DRILLING LOCATION.



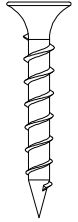
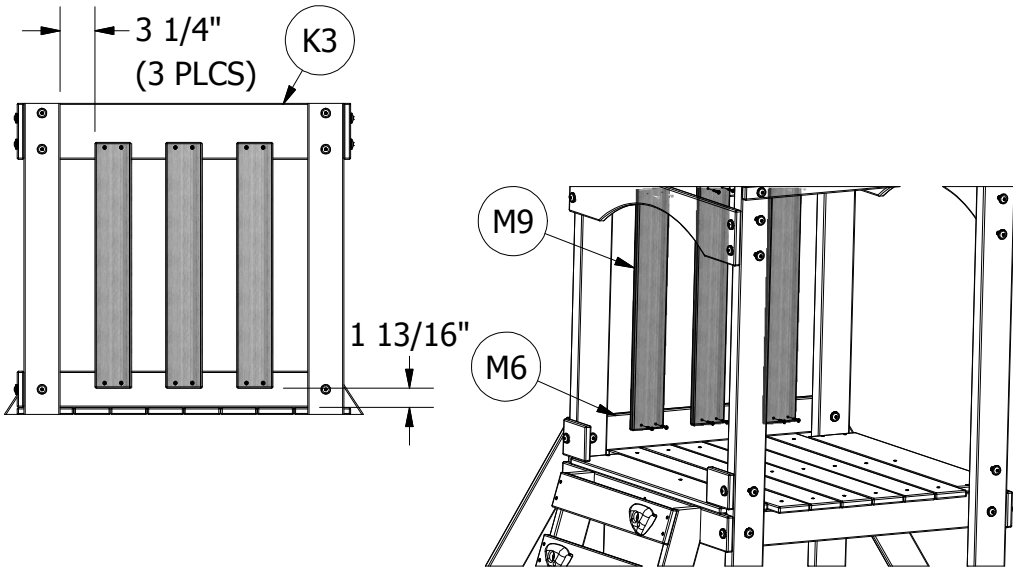
ROCK WALL LADDER ASSEMBLY



(6) **M9 - WALL SLAT - W102342**  
**5/8"x3 3/8"x23" (16x86x584)**

### STEP 16

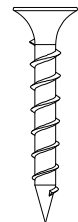
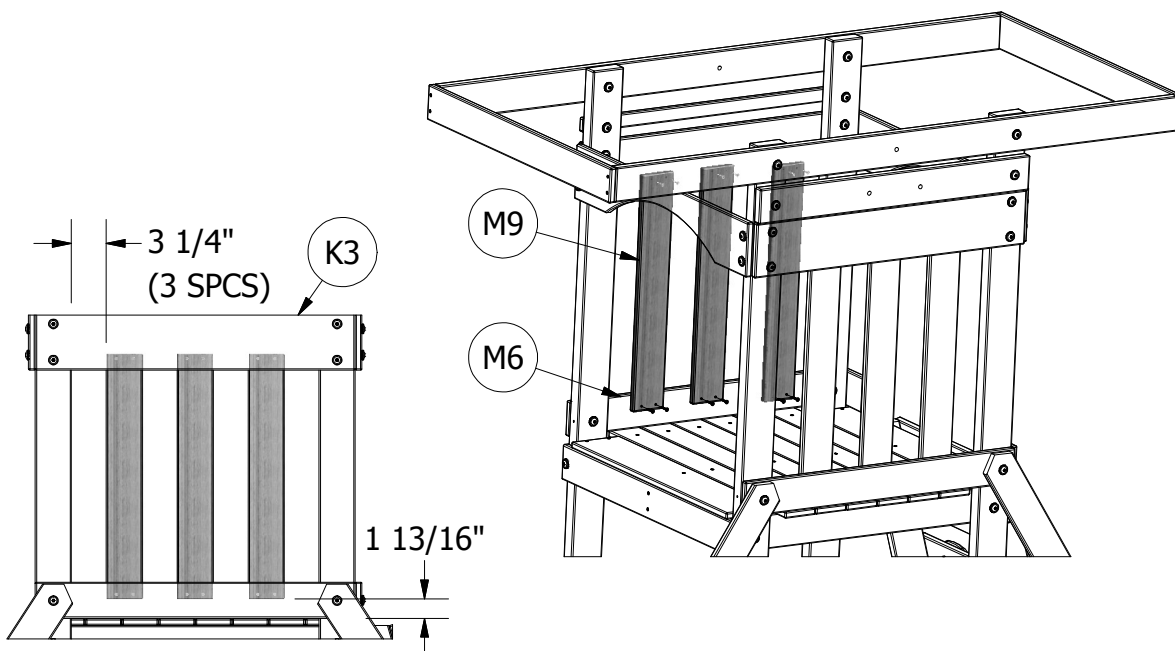
**ATTACH (3) M9 WALL SLATS TO K3 WALL RAIL AND M6 FLOOR SUPPORT USING 1-1/8" WOOD SCREWS.**



(12) **SCREW PFH**  
**8x1-1/8"**

### STEP 17

**ATTACH (3) M9 WALL SLATS TO K3 WALL RAIL AND M6 FLOOR SUPPORT USING 1-1/8" WOOD SCREWS.**



(12) **SCREW PFH**  
**8x1-1/8"**



(2) **N1 - WALL SLAT - W102343**  
5/8"x2 3/8"x23" (16x60x584)



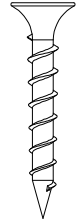
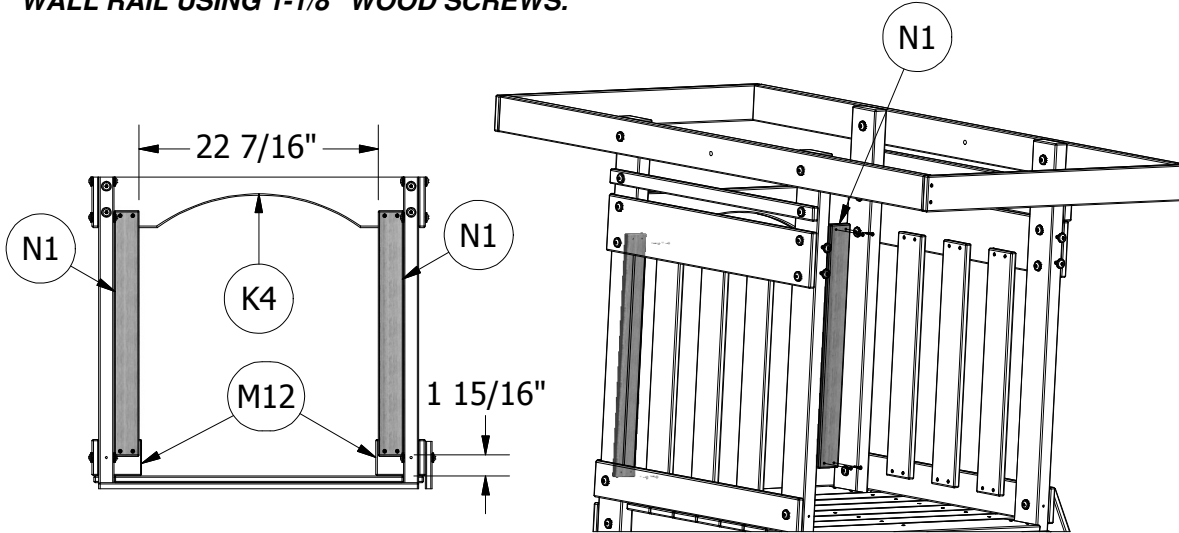
(1) **M8 - TARP SUPPORT - W102341**  
5/8"x3 3/8"x30" (16x86x762)



(2) **H3 - TARP UPRIGHT - W102340**  
1"x3 3/8"x37" (24x86x940)

### STEP 18

**ATTACH (2) N1 WALL SLATS TO K4 ARCHED WALL RAIL AND M12 WALL RAIL USING 1-1/8" WOOD SCREWS.**



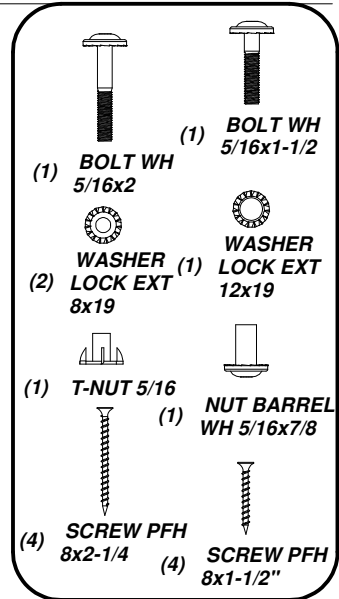
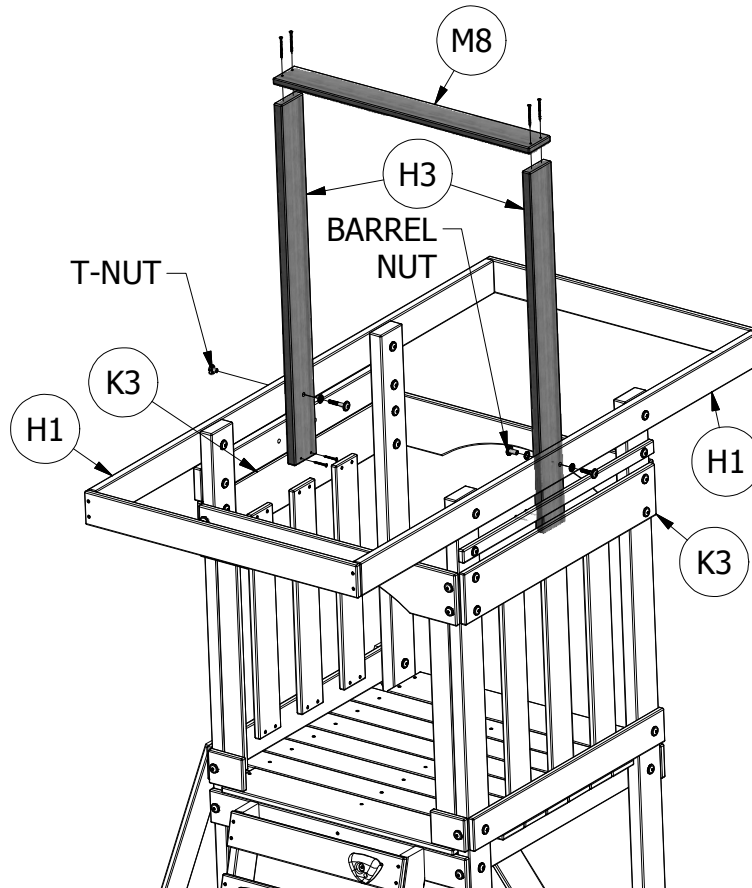
(8) **SCREW PFH**  
8x1-1/8"

### STEP 19

**ATTACH H3 TARP UPRIGHT TO H1 ROOF CROSS BRACE AND K3 WALL RAIL USING 2" BOLT, LOCK WASHER, 5/16" T-NUT AND 1-1/2" WOOD SCREWS.**

**ATTACH H3 TARP UPRIGHT TO H1 ROOF CROSS BRACE AND K3 WALL RAIL USING 1-1/2" BOLT, LOCK WASHERS, 7/8" BARREL NUT AND 1-1/2" WOOD SCREWS.**

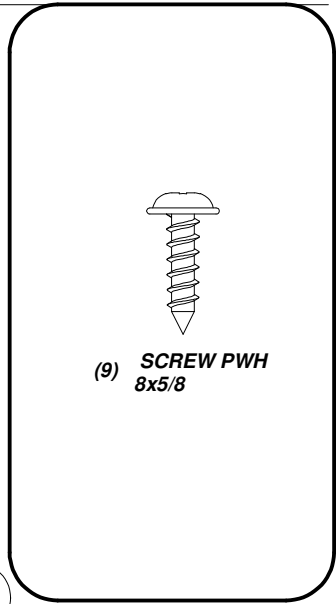
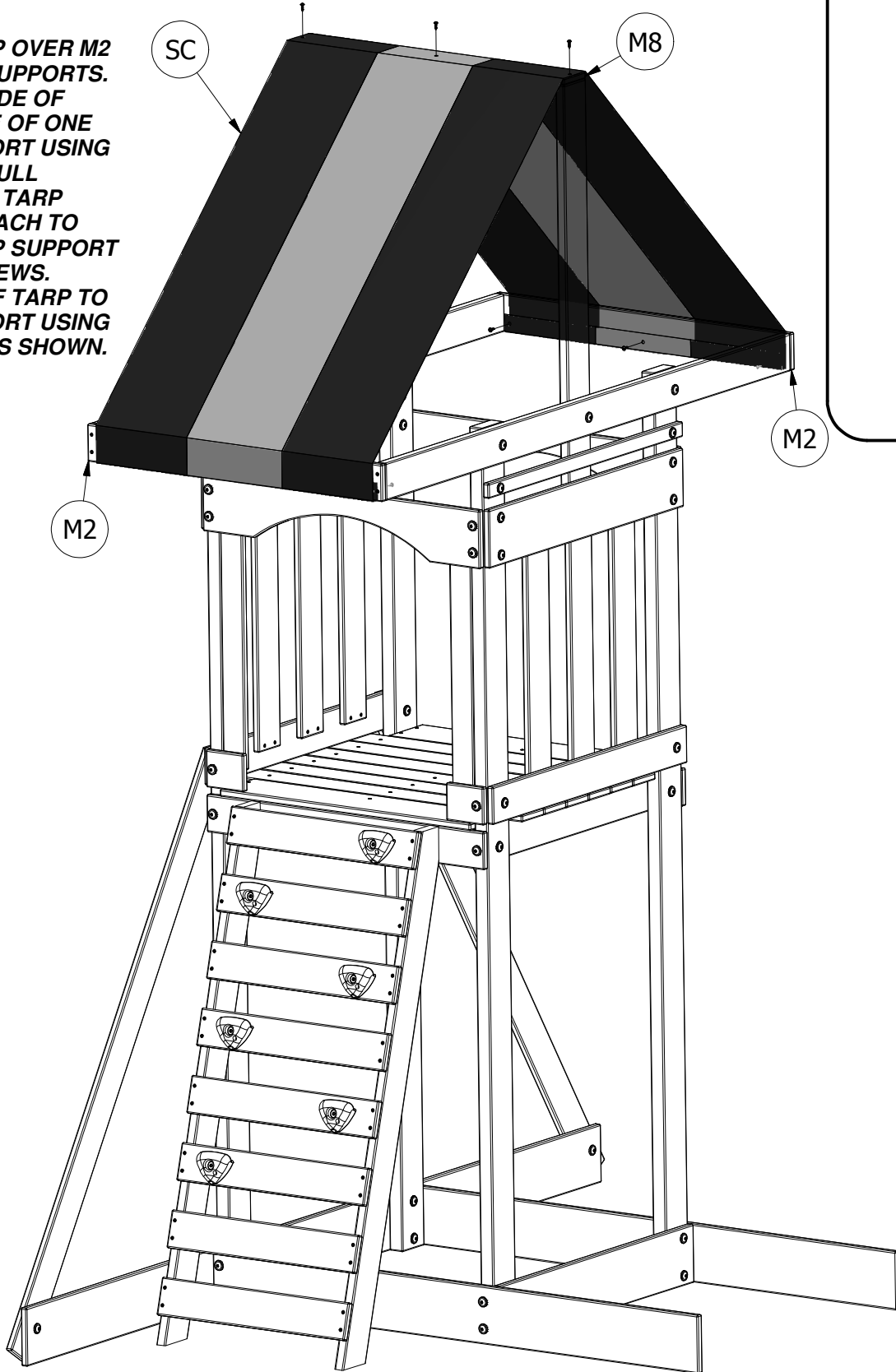
**ATTACH M8 TARP SUPPORT TO THE ENDS OF H3 TARP UPRIGHTS USING 2-1/4" WOOD SCREWS.**

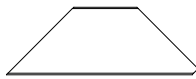



(1) SC - TARP .4x760x2505 - A100310  
 1/64"x29 7/8"x98 5/8" (.4x760x2505)

**STEP 20**

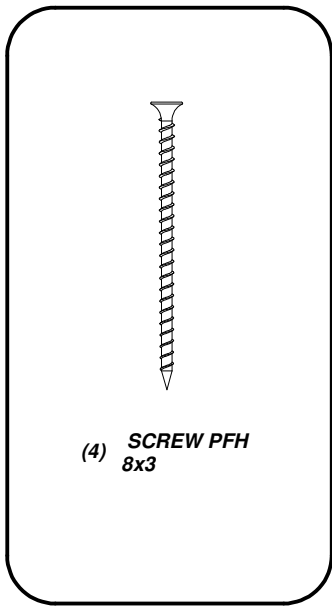
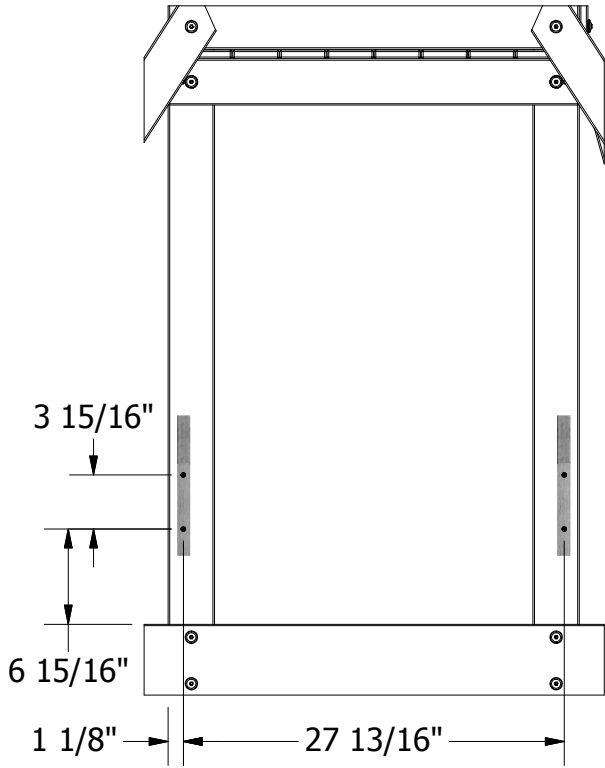
**DRAPE SC TARP OVER M2 AND M8 TARP SUPPORTS. ATTACH ONE SIDE OF TARP TO INSIDE OF ONE M2 TARP SUPPORT USING 5/8" SCREWS. PULL OTHER SIDE OF TARP TIGHT AND ATTACH TO OTHER M2 TARP SUPPORT USING 5/8" SCREWS. SECURE TOP OF TARP TO M8 TARP SUPPORT USING 5/8" SCREWS, AS SHOWN.**



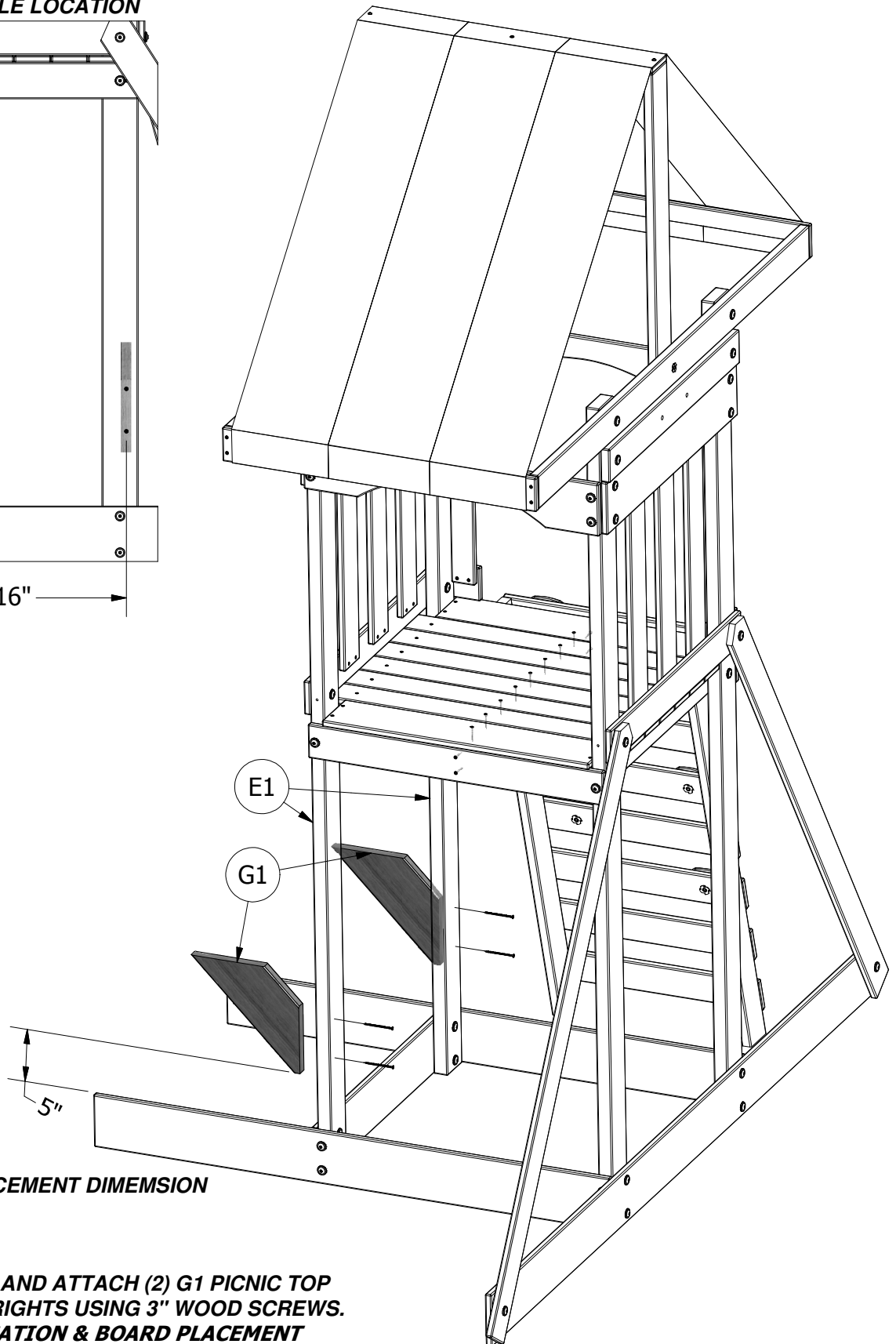


(2) **G1 - PICNIC TOP SUPPORT - W102300**  
**1"x5 1/4"x15" (24x134x381)**

**PILOT DRILL HOLE LOCATION**



(4) **SCREW PFH**  
**8x3**



**BOARD PLACEMENT DIMENSION**

**STEP 21**

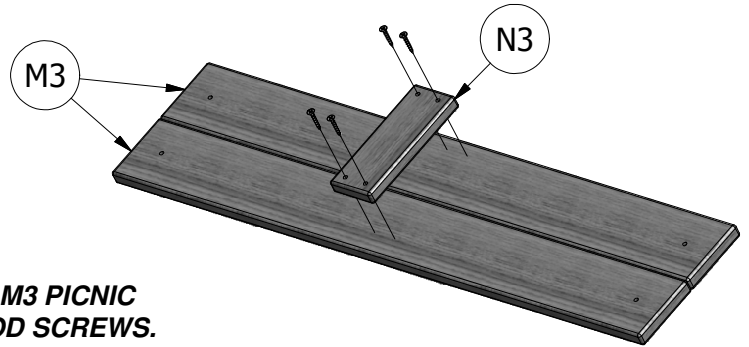
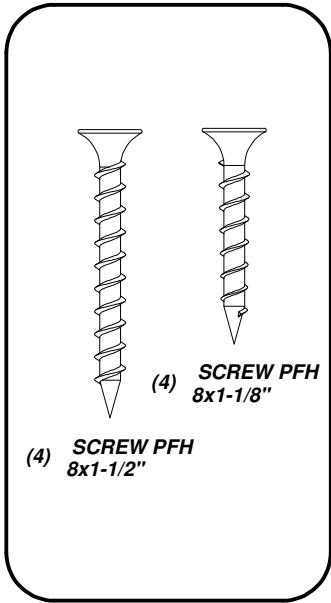
**PILOT DRILL USING 1/8" BIT AND ATTACH (2) G1 PICNIC TOP SUPPORTS TO E1 FORT UPRIGHTS USING 3" WOOD SCREWS. SEE PILOT DRILL HOLE LOCATION & BOARD PLACEMENT DIMENSIONS FOR PROPER PLACEMENT.**



(4) **M3 - PICNIC SEAT/TOP - W102347**  
 5/8"x3 3/8"x31" (16x86x786)



(2) **N3 - TIE STRAP - W102344**  
 5/8"x2 3/8"x6" (16x60x152)



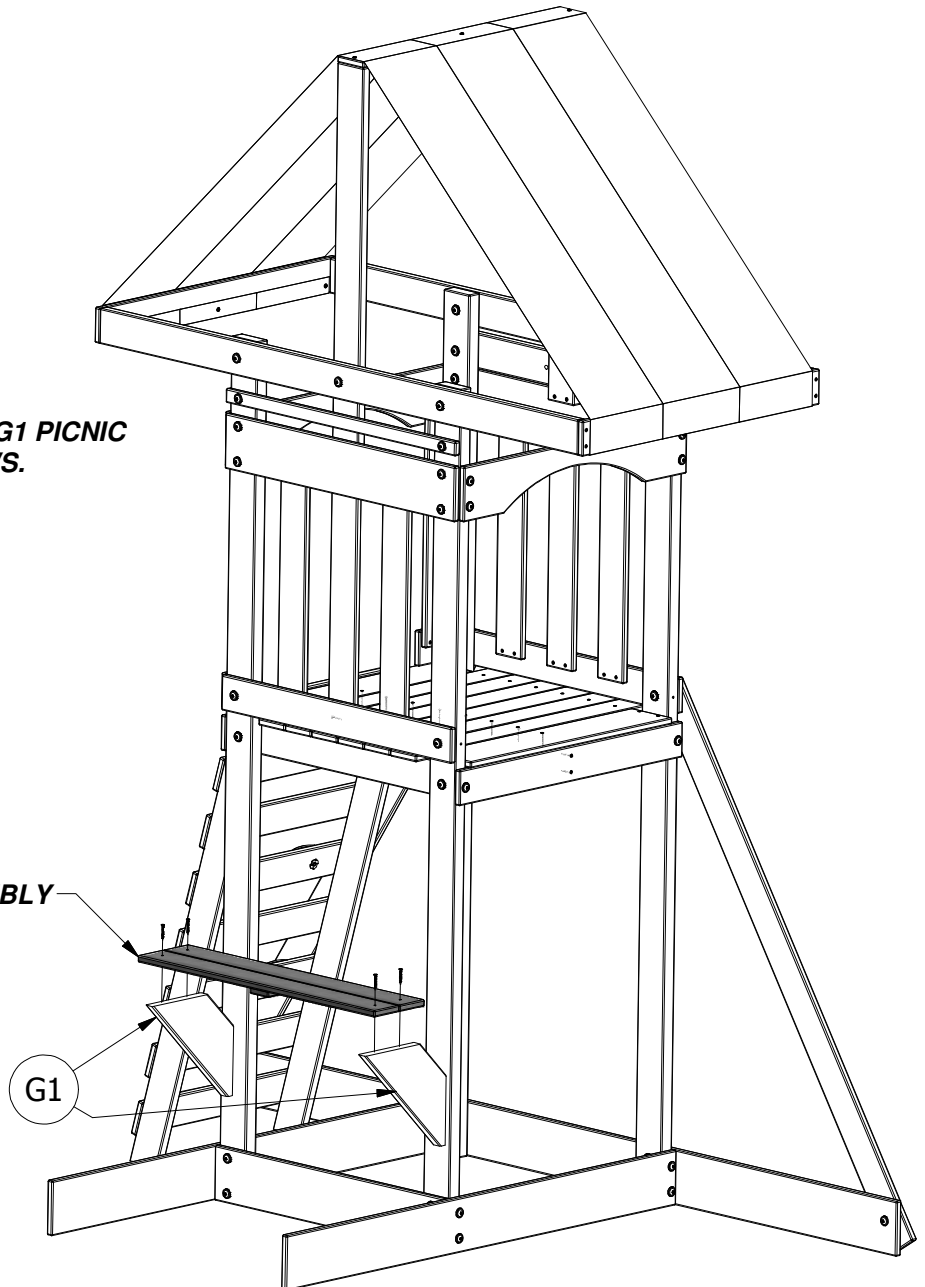
**STEP 22**

**ATTACH N3 TIE STRAP TO (2) M3 PICNIC SEAT / TOP USING 1-1/8" WOOD SCREWS. REPEAT PROCESS TO ASSEMBLE PICNIC TABLE SEAT ASSEMBLY.**

**STEP 23**

**ATTACH PICNIC TABLE TOP ASSEMBLY TO G1 PICNIC TOP SUPPORTS USING 1-1/2" WOOD SCREWS.**

**TABLE TOP ASSEMBLY**





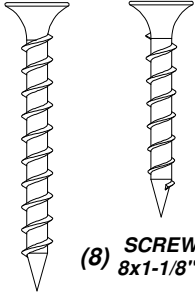
(4) **N2 - PICNIC TABLE BRACE - W102345**  
 5/8"x2 3/8"x12" (16x60x305)



(2) **J1 - TIE STRAP - W102346**  
 1"x2 3/8"x7" (24x60x178)

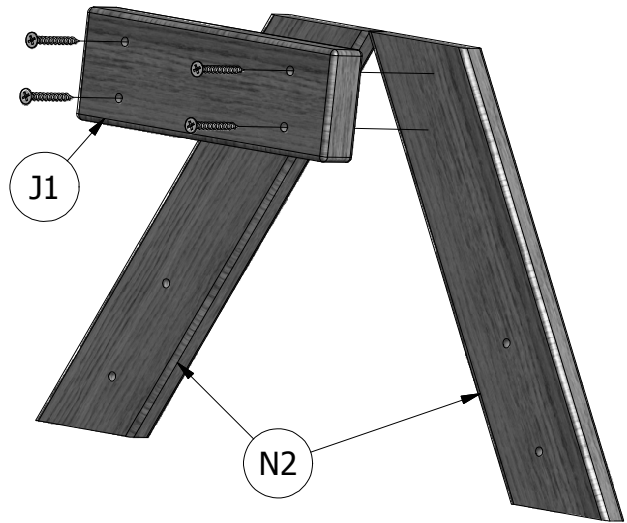
**STEP 24**

**ATTACH J1 TIE STRAP TO (2) N2 PICNIC TABLE BRACES USING 1-1/2" WOOD SCREWS. REPEAT PROCESS TO ASSEMBLE SECOND SEAT SUPPORT ASSEMBLY.**



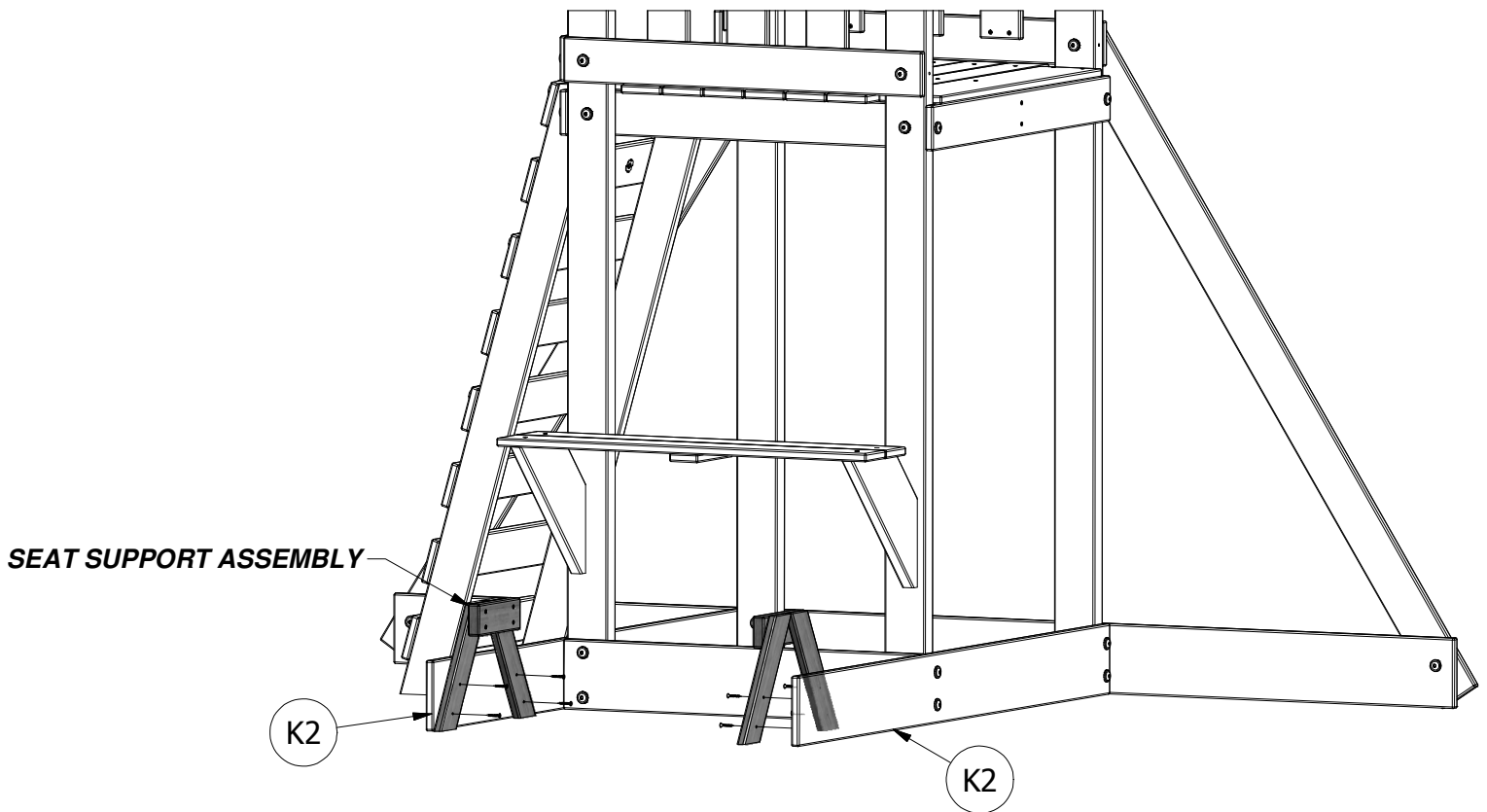
(8) **SCREW PFH**  
 8x1-1/8"

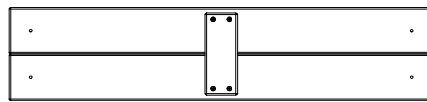
(4) **SCREW PFH**  
 8x1-1/2"



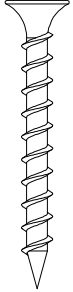
**STEP 25**

**ATTACH SEAT SUPPORT ASSEMBLY TO K2 GROUND BOARDS USING 1-1/8" WOOD SCREWS.**





**TABLE TOP & SEAT ASSEMBLY**



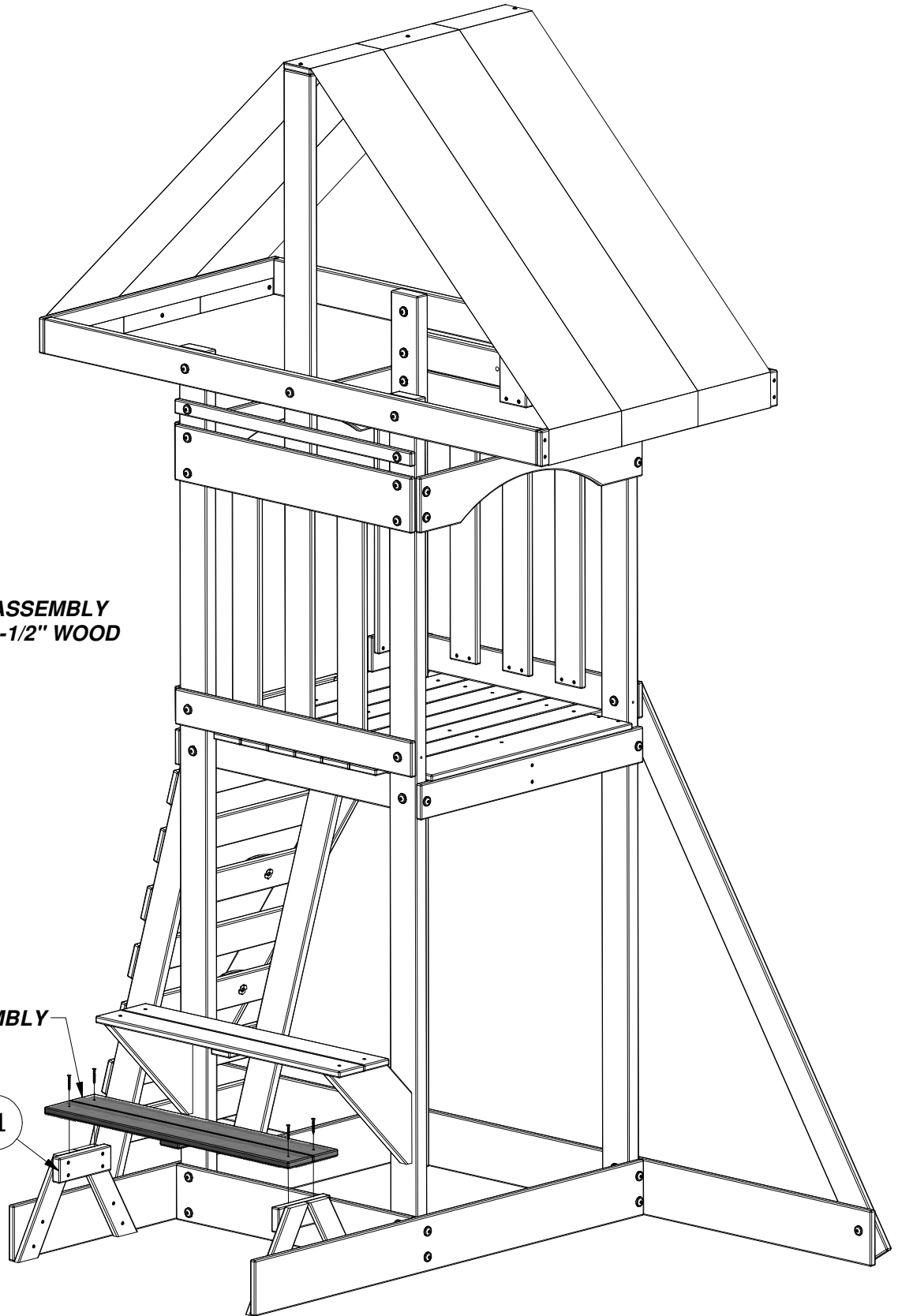
**(4) SCREW PFH  
8x1-1/2"**

**STEP 26**

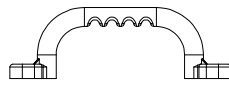
**ATTACH TABLE TOP & SEAT ASSEMBLY  
TO (2) J1 TIE STRAPS USING 1-1/2" WOOD  
SCREWS.**

**TABLE TOP & SEAT ASSEMBLY**

J1







(2) EA - HAND GRIP YELLOW PLASTIC - A100043



(4) BOLT WH  
1/4x1"



WASHER  
(4) LOCK EXT  
6x15



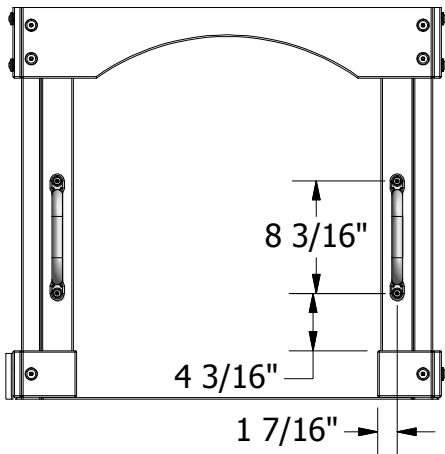
(4) T-NUT 1/4

### STEP 27

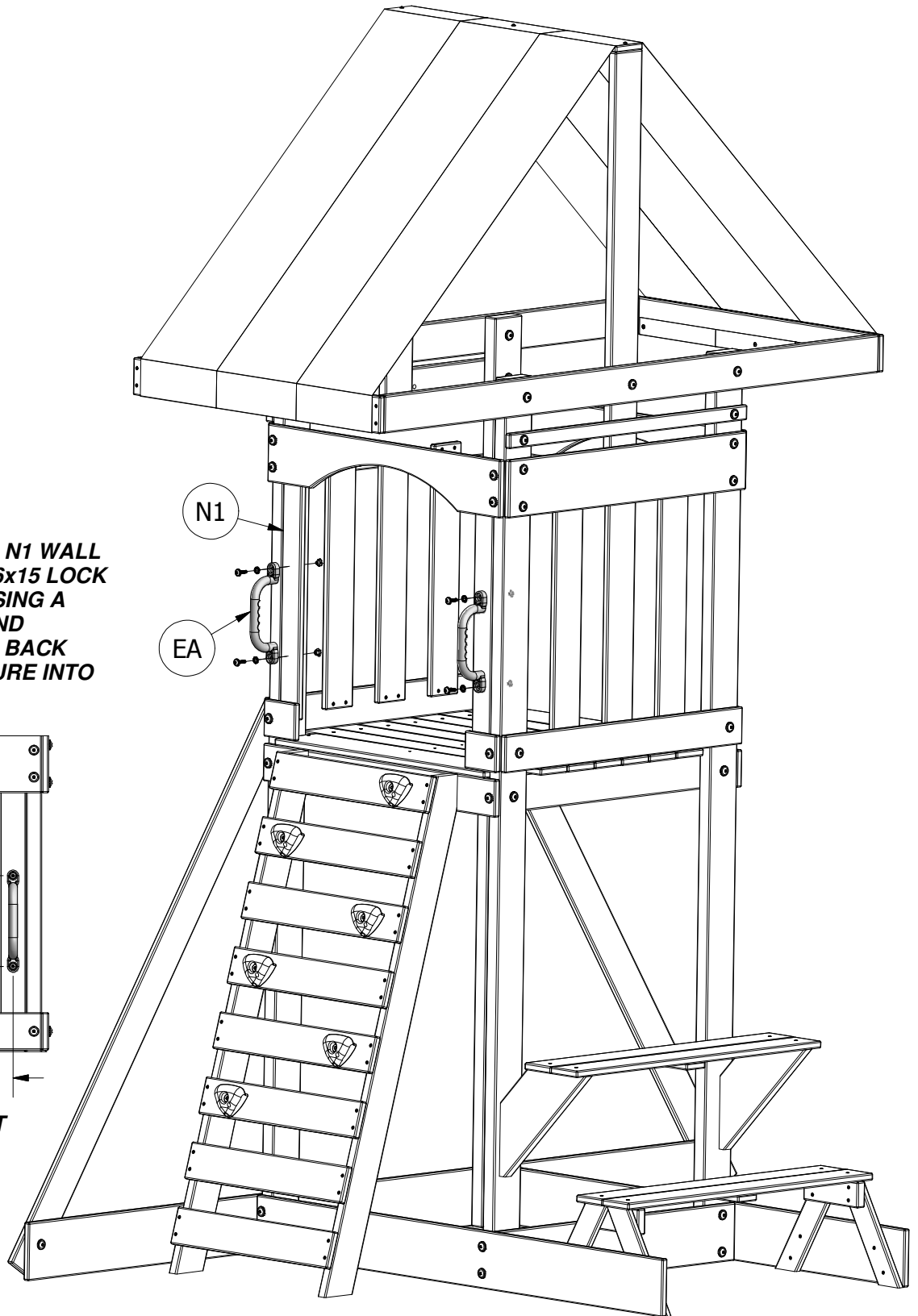
ATTACH EA HANDLE GRIPS TO N1 WALL SLATS USING 1/4"x 1" BOLTS, 6x15 LOCK WASHERS AND 1/4" T-NUTS. USING A 5/16" DRILL BIT PILOT DRILL AND INSTALL 1/4" T-NUTS INTO THE BACK SIDE OF N1 WALL SLATS. SECURE INTO PLACE USING A HAMMER.

N1

EA



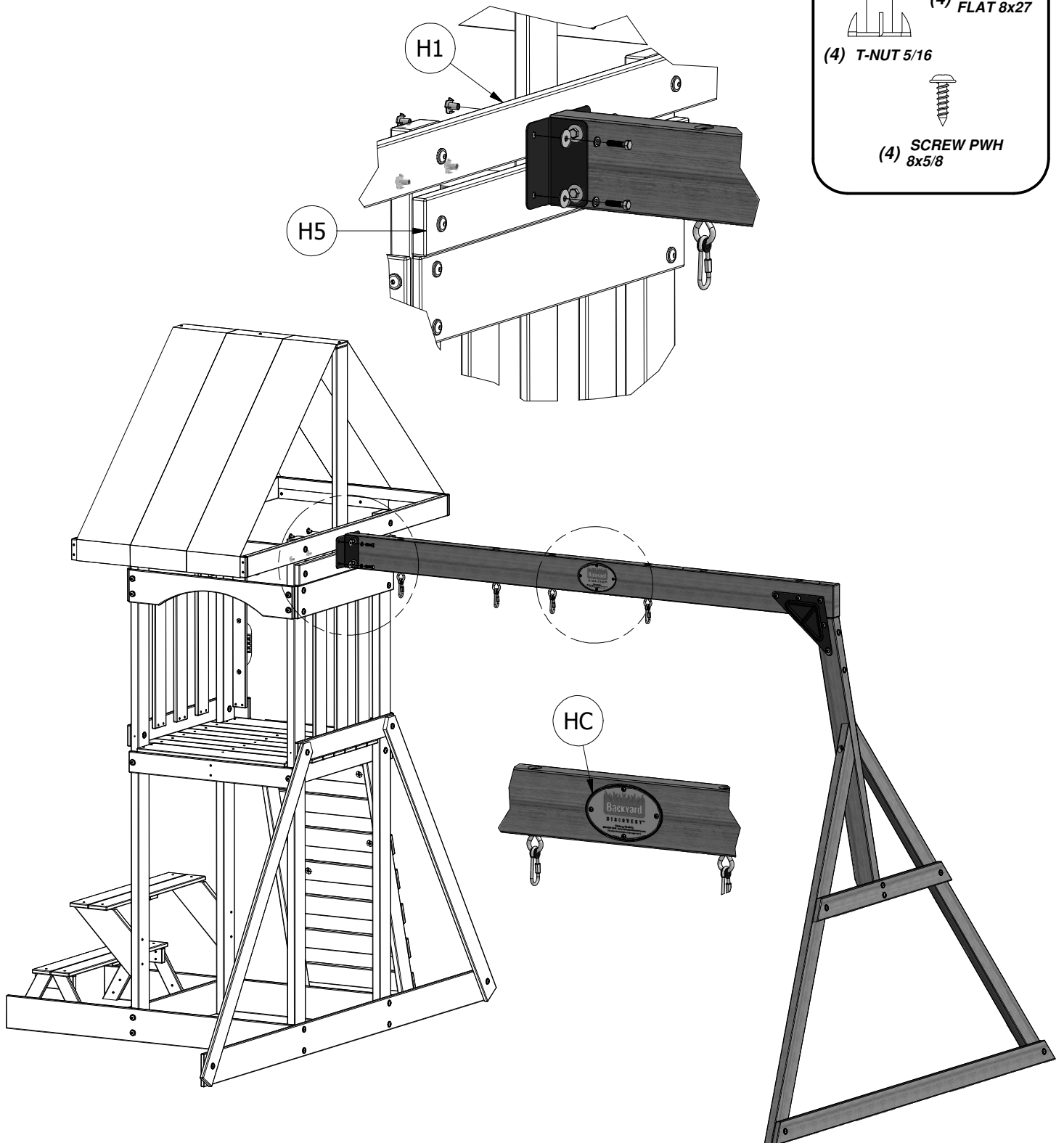
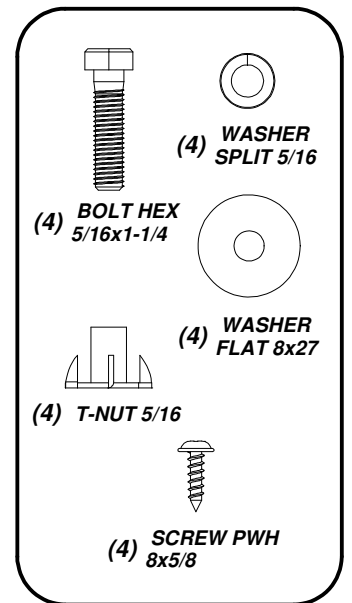
HANDLE ATTACHMENT  
DRILL PATTERN



## STEP 28

**BEGIN BY PILOT DRILLING H1 ROOF CROSS BRACE WITH 3/8" BIT USING SWING BEAM ASSEMBLY ANGLE BRACKETS AS A TEMPLATE. ATTACH SWING BEAM ASSEMBLY TO H1 ROOF CROSS BRACE AND H5 SWING BEAM RAIL USING 1-1/4" HEX BOLTS, SPLIT WASHERS, FLAT WASHERS AND 5/16" T-NUTS.**

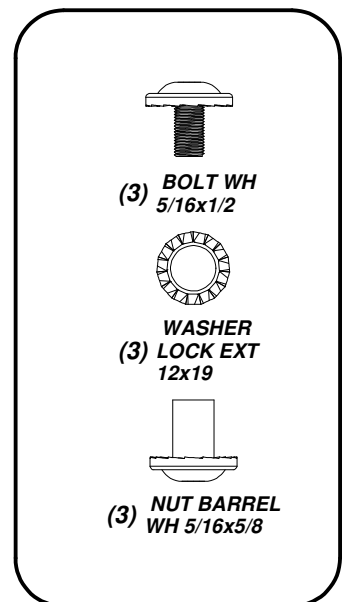
**ATTACH HC ID PLATE TO SWING BEAM USING 5/8" SCREWS, AS SHOWN.**



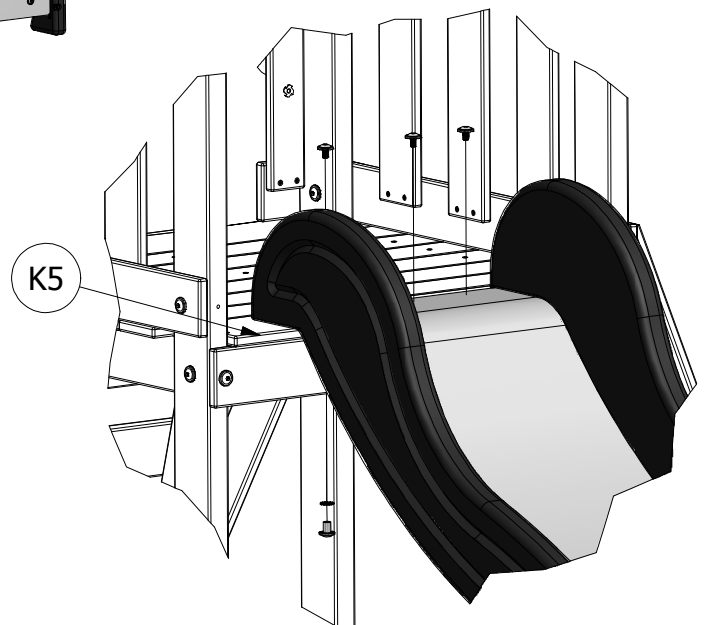
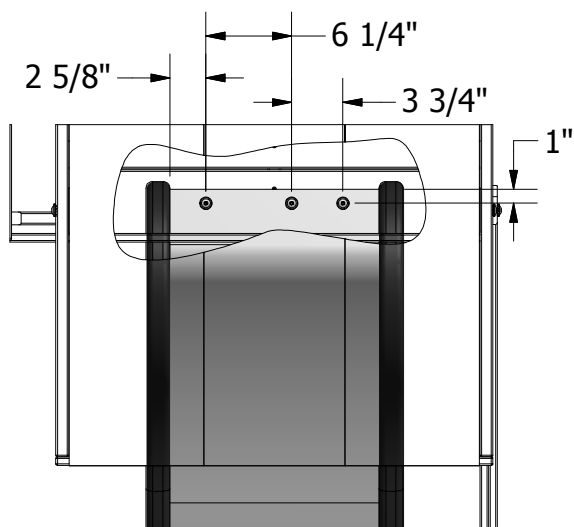
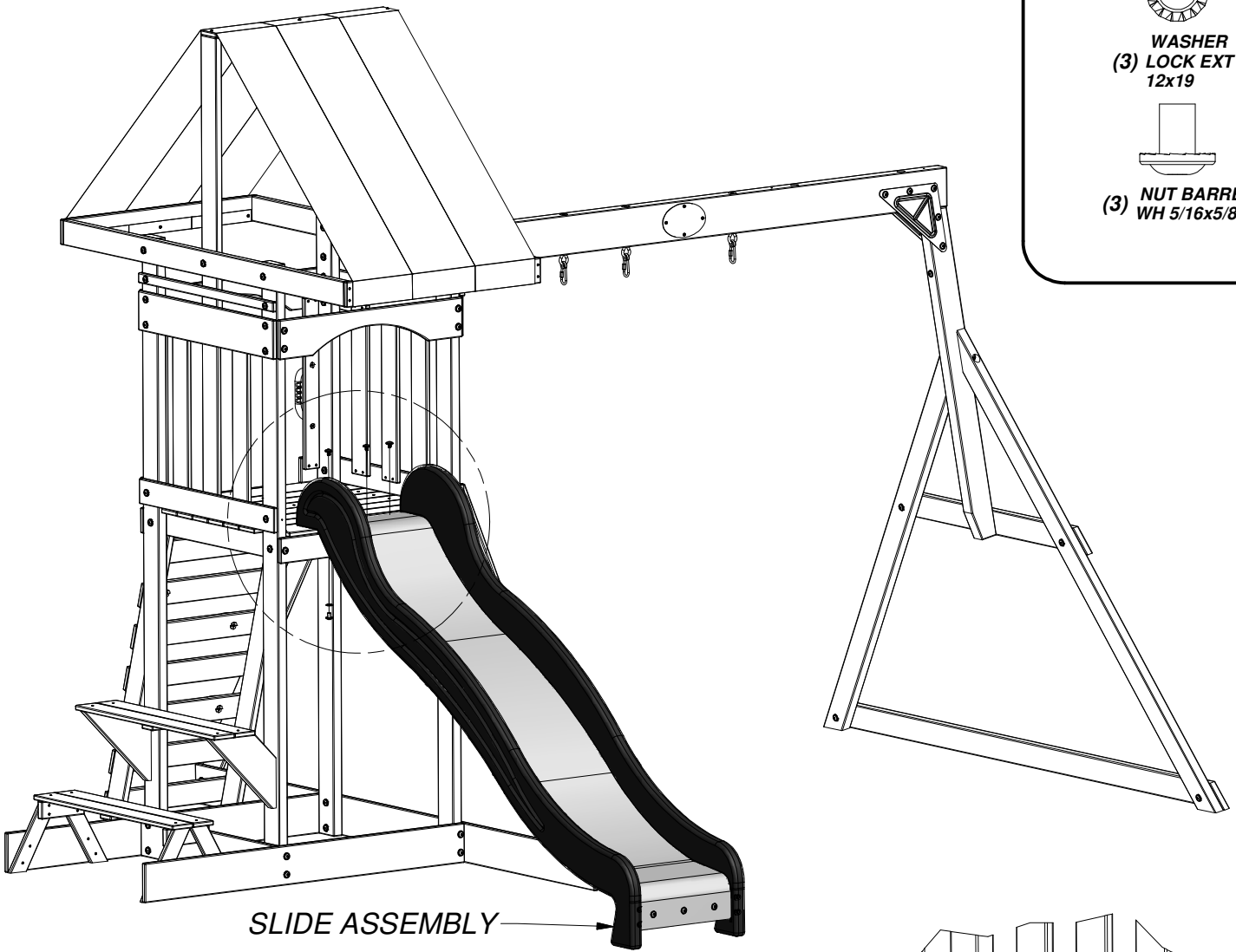
# STEP 29

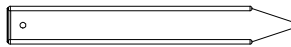
CENTER SLIDE ASSEMBLY IN OPENING, AS SHOWN.

USING HOLE PATTERN BELOW, PILOT DRILL (3) SLIDE ATTACHMENT HOLES IN SLIDE BED AND K5 OUTER FLOOR BOARD USING 3/8" BIT AND ATTACH SLIDE ASSEMBLY USING 1/2" BOLTS, LOCK WASHER AND 5/8" BARREL NUTS.

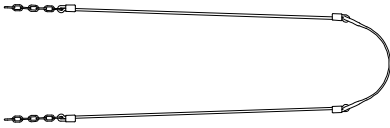


- (3) BOLT WH 5/16x1/2
- (3) WASHER LOCK EXT 12x19
- (3) NUT BARREL WH 5/16x5/8

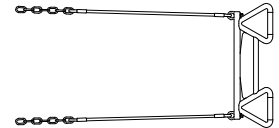




(6) KD - PLASTIC GROUND STAKE BROWN - A100179



(1) TQ - SWING SEAT WITH BLUE ROPE CHAIN - A100170



(1) KF - TRAPEZE WITH BLUE ROPE CHAIN - A100109

# Anchoring Instructions

**\*STAKES SHOULD BE PLACED IN CONCRETE\***

**NOTE:**

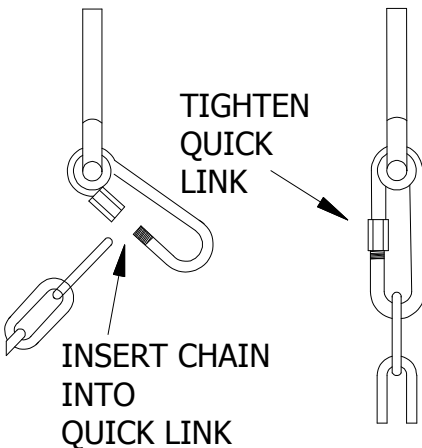
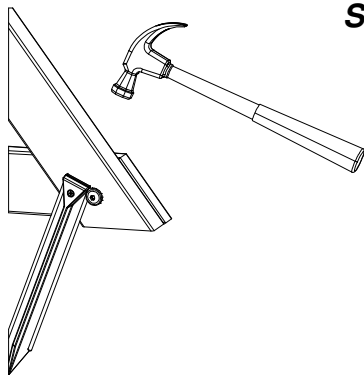
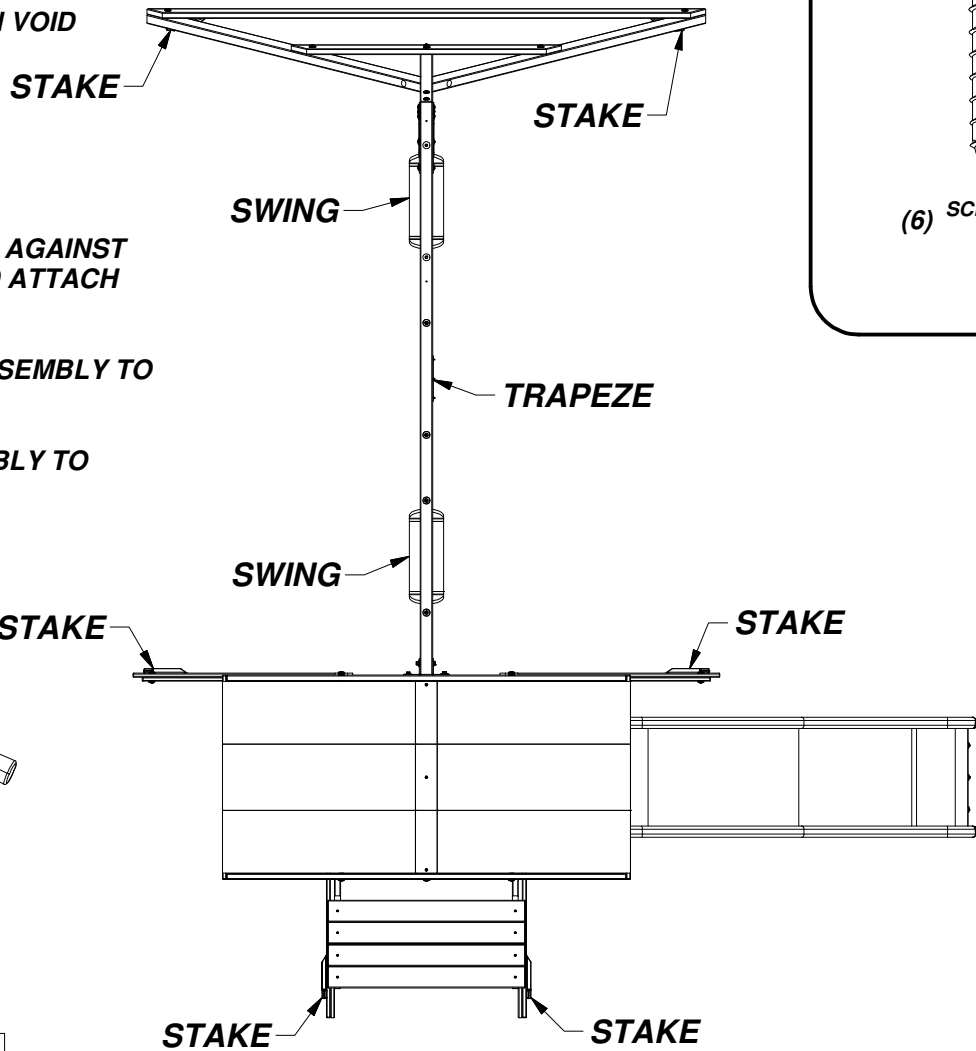
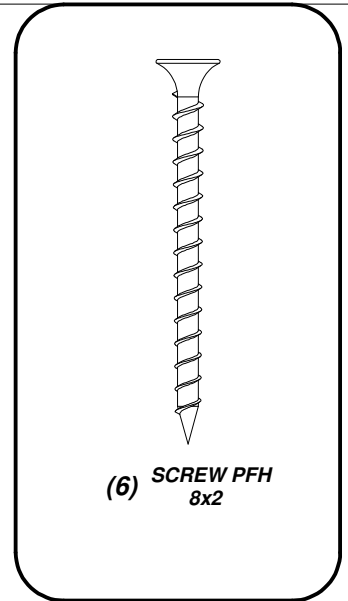
**FAILURE TO USE STAKES CAN VOID WARRANTY & CAUSE INJURY!**

**STEP 30**

**DRIVE STAKES INTO GROUND AGAINST BOARDS WHERE SHOWN AND ATTACH WITH 2" WOOD SCREWS.**

**ATTACH TQ SWING SEATS ASSEMBLY TO SWING BEAM ASSEMBLY.**

**ATTACH KF TRAPEZE ASSEMBLY TO SWING BEAM ASSEMBLY.**



**FINAL STEP**

**DOUBLE CHECK EVERY BOLT, SCREW AND NUT FOR TIGHTNESS. MAKE SURE EVERY BOARD IS SECURE AND MAKE SURE THE PLAYSET IS LEVEL.**

**ENJOY YOUR NEW PLAYSET!**

## Limited Warranty

This Limited Warranty by Backyard Discovery applies to products manufactured under the Backyard Discovery brand or its other brands including but not limited to Backyard Botanical, Adventure Playsets, and Leisure Time Products.

Backyard Discovery warrants that this product is free from defect in materials and workmanship for a period of one (1) year from the original date of purchase. This one (1) year warranty covers all parts including wood, hardware, and accessories. All wood carries a five (5) year pro-rated warranty against rot and decay. Refer to the schedule below for charges associated with replacement of parts under this Limited Warranty. In addition, Backyard Discovery will replace any parts within the first 30 days from date of purchase found to be missing from or damaged in the original packaging.

This warranty applies to the original owner and registrant and is **non-transferable**. Regular maintenance is required to assure maximum life and performance of this product and failure by the owner to maintain the product according to the maintenance requirements may void this warranty. Maintenance guidelines are provided in the Owner's Manual.

This Limited Warranty does not cover:

- Labor for any inspection
- Labor for replacement of any defective item(s)
- Incidental or consequential damages
- Cosmetic defects which do not affect performance or integrity of a part or the entire product
- Vandalism, improper use, failure due to loading or use beyond the capacities stated in the applicable Assembly Manual.
- Acts of nature including but not limited to wind, storms, hail, floods, excessive water exposure
- Improper installation including but not limited to installation on uneven, unlevel, or soft ground
- Minor twisting, warping, checking, or any other natural occurring properties of wood that do not affect performance or integrity

Backyard Discovery products have been designed for safety and quality. Any modifications made to the original product could damage the structural integrity of the unit leading to failure and possible injury. Modification voids any and all warranties and Backyard Discovery assumes no liability for any modified products or consequences resulting from failure of a modified product.

This product is warranted for RESIDENTIAL USE ONLY. Under no circumstance should a Backyard Discovery product be used in public settings. Such use may lead to product failure and potential injury. Any and all public use will void this warranty. Backyard Discovery disclaims all other representations and warranties of any kind, express or implied.

This Warranty gives you specific legal rights. You may have other rights as well which vary from state to state or province to province. This warranty excludes all consequential damages, however, some states do not allow the limitation or exclusion of consequential damages and therefore this limitation may not apply to you.

### Pro Rated Part Replacement Schedule

<u>Product Age</u>	<u>Customer Pays</u>
<b>All Parts</b>	
0-30 days from date of purchase	\$0 and free shipping
31 days to 1 year	\$0 + S&H
<b>Wood Rot and Decay Only</b>	
1 year	\$0 and free shipping
2 years	20% + S&H
3 years	40% + S&H
4 years	60% + S&H
5 years	80% + S&H
Over 5 years	100% + S&H