

## Planning Guide

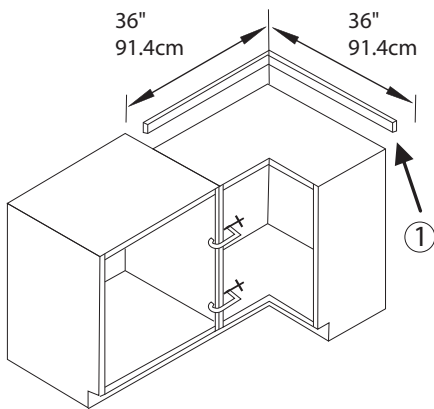
- Measure and note the ceiling height and any existing soffits.
- Measure and note all wall lengths.
- Check corner squareness at the floor level, at the top of the base cabinets, and at the top and bottom of wall cabinets to determine if you will have any areas that will require adjustments during cabinet installation.
- Measure and note the location of obstacles along each wall, recording their height, width, and depth from outside edge to outside edge, include doors, windows, outlets, vents, and pipe chases.
- Identify and note existing plumbing, electrical, and lighting center lines on all walls including:
  - Plumbing
  - Range hook-up
  - Light switches
  - Electrical outlets
  - Lighting fixtures
  - Phone jacks
  - Heating/air vents (including locations in the floor)

# Cabinetry Planning Grid

Measured in feet. Scale: each square represents 3 inches

	1'	2'	3'	4'	5'	6'	7'	8'	9'	10'	11'	12'	13'	14'	15'	16'	17'	18'
1'																		
2'																		
3'																		
4'																		
5'																		
6'																		
7'																		
8'																		
9'																		
10'																		
11'																		
12'																		
13'																		
14'																		

## Corner Base Cabinet Installation



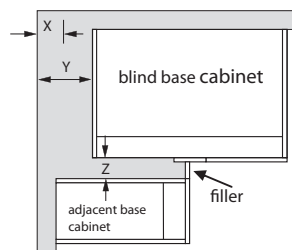
## Blind Base Cabinet Installation

Box Width	X		Y	Z	
	Min. Pull	Min. Pull W/ Hardware	Max. Pull	Min. Filler Required	Min. Filler Required W/ Hardware
36-in	3 7/8-in	5 3/8-in	9-in	1-in	2 1/2-in

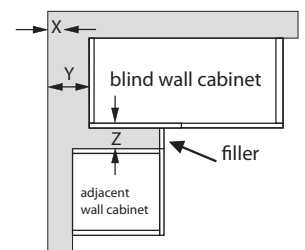
## Blind Wall Cabinet Installation

Box Width	X		Y	Z	
	Min. Pull	Min. Pull W/ Hardware	Max. Pull	Min. Filler Required	Min. Filler Required W/ Hardware
27-in	7/8-in	2 3/8-in	11 3/4-in	1-in	2 1/2-in

### Blind Base Installation



### Blind Wall Installation



\* Filler needed for proper cabinet installation