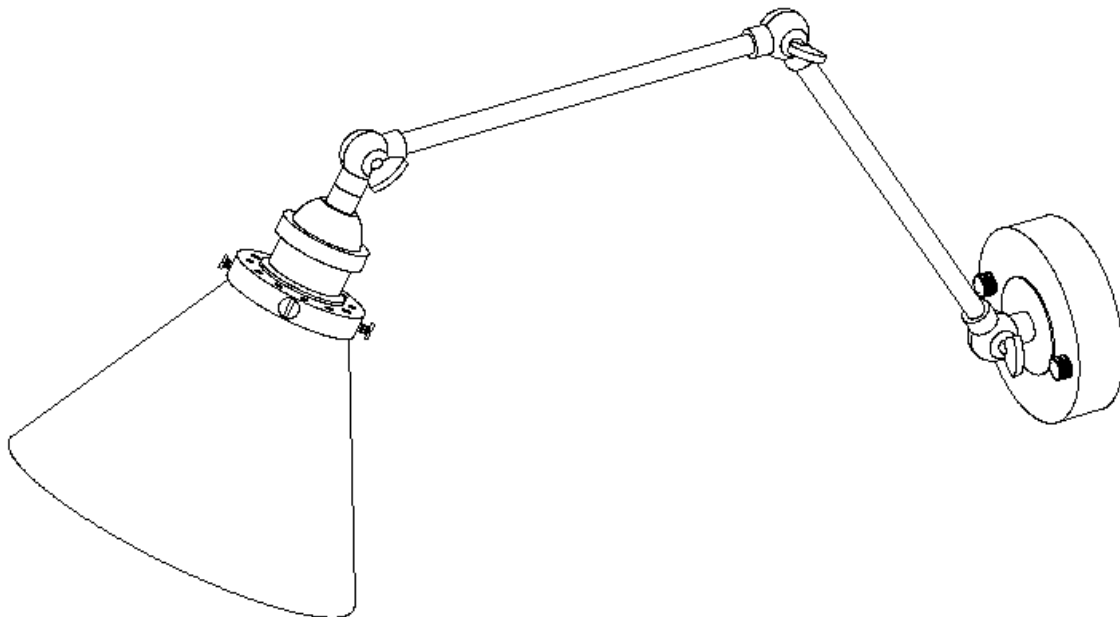


Item Number: A03469

WARNING (To reduce the risk of fire, electric shock, or injury to persons):


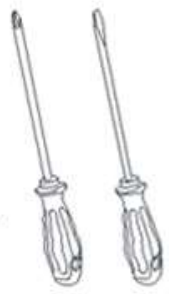

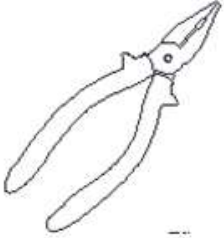
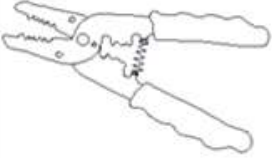
1. We suggest installation by a **licensed electrician**.
2. Please read the instruction carefully and save it as you may need it at later time.
3. Before you start, **NEVER** attempt any work without shutting off the electricity until the work is done. A). Go to the main fuse, or circuit breaker, box in your home. Place the main power switch in the “**OFF**” position. B). Place the wall switch in the “**OFF**” position.
4. Mounting surface should be clean, dry, flat, strong enough and 1/4” larger than the canopy on all side. Any gaps between the mounting surface and canopy exceeding 3/16” should be corrected as required.
5. Make sure that the ceiling or wall can stand the weight of the lamp before fixture.
6. Make sure the voltage you are using is **120V**. The maximum wattage is **60W** per bulb.
7. Keep the lamp away from acidic and basic objects in case of damaging the surface of the lamp.
8. When replacing bulb, you should turn off or unplug the lamp and you must wait until it is cool as bulbs get hot quickly.
9. The safety instructions appearing in this manual are not meant to cover all possible conditions that may occur. It must be understood that common sense, caution and care must be used with any electrical products.

IMAGE FOR FINISHED PRODUCT:



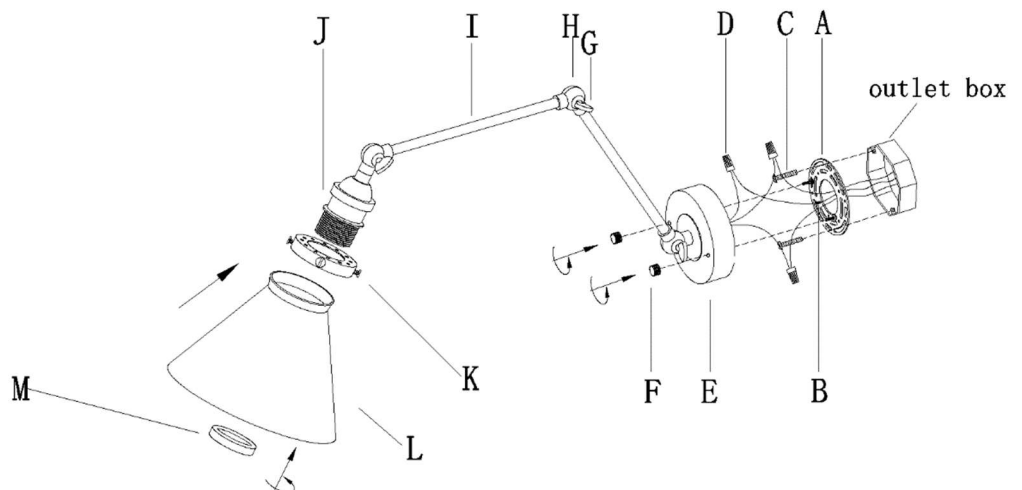
TOOLS REQUIRED (NOT INCLUDED):

Before doing assembly and installation please prepare the needed tools as below picture

| | | | | |
|---|---|---|--|---|
|  |  |  |  |  |
| Ladder | Phillips head, flat blade screwdriver | Electrical tape | Pliers | Wire cutter/Stripper |

PARTS TYPE & QTY INCLUDING:

- (A) Mounting plate (1)
- (B) Green ground screw (1)
- (E) Back plate (1)
- (F) Ball nut (2)
- (G) Stud (3)
- (H) Joint (3)
- (I) Arm (2)
- (J) Socket (1)
- (K) Decorative ring (1)
- (L) Shade (1)
- (M) Socket ring (1)



ACCESSORIES & QTY ENCLOSED:

- (C) Mounting screw (2)
- (D) Plastic wire connector (3)

ASSEMBLY & INSTALLATION INSTRUCTIONS:

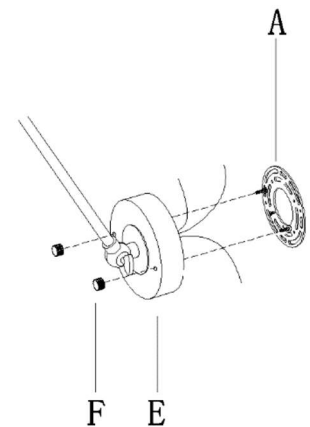
1. Carefully remove the fixture from the carton and check that all parts and accessories are included as shown in the above illustration
2. Turn off power

Before you start to make installation, NEVER attempt any work without shutting off the electricity until the work is done.

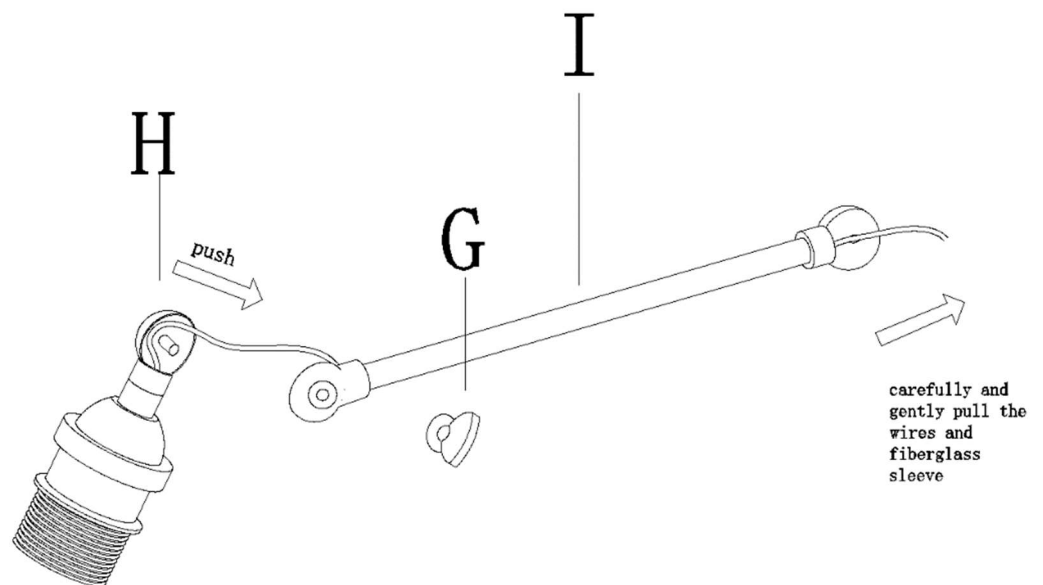
- A). Go to the main fuse, or circuit breaker, box in your home. Place the main power switch in the "OFF" position.
- B). Place the wall switch in the "OFF" position

3. Make installation

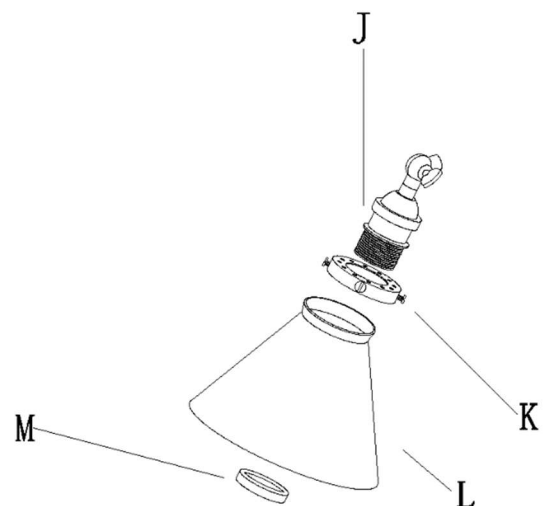
1) Unscrew the knob nuts (F) from backplate (E) then carefully remove the mounting plate (A) from backplate (E)



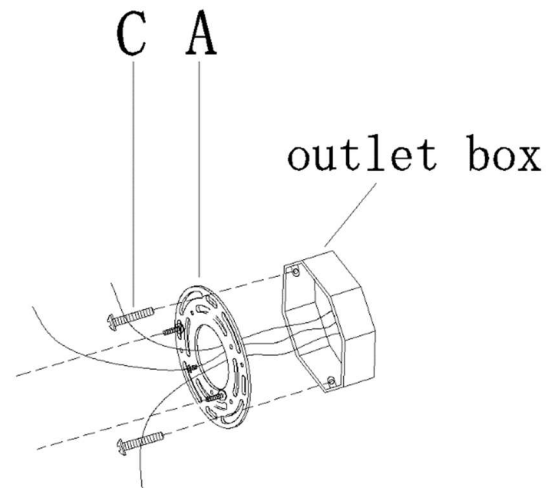
2) Carefully and gently pull the wires and fiberglass sleeve from another end of arm (I), meanwhile push the socket to get close to the joint. then lay wires in the cave of joint (H). And continue the step till the joints are combined together, then secure with the stud. Do the same to the middle joints and base joints to finish the arms assembled



3) Unscrew the studs from the decorative ring (K), then position decorative ring (K) and the metal shade (L) onto the socket (J), secure with the socket ring (M) and the studs.



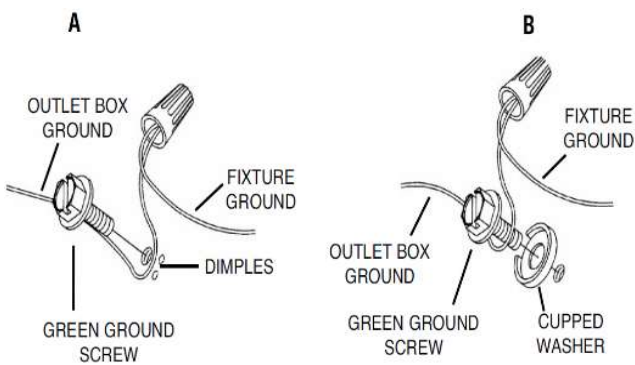
- 4) Carefully pass the wires from outlet box through the mounting plate(A) ,then attach the mounting plate (A) to outlet box with mounting screws (C)



- 5) Make wire connections

Connect wires as below wires connecting shown. **TAKE NOTE OF YOUR WIRE COLOR OF FIXTURE ,NEVER CONNECT WIRE TO GROUND WIRE**

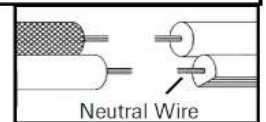
Connect ground wire according to below chart



Connect wires according to below chart

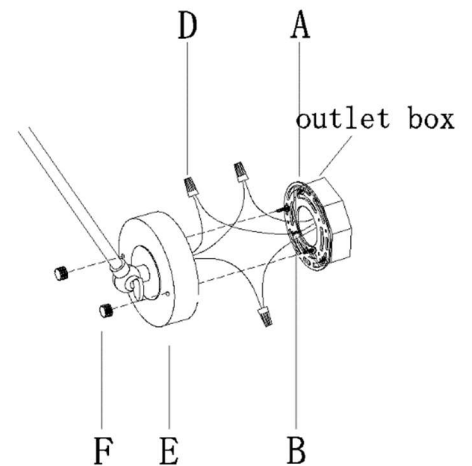
| Connect Black or Red Supply Wire to: | Connect White Supply Wire to: |
|---|---|
| Black | White |
| *Parallel cord (round & smooth) | *Parallel cord (square & ridged) |
| Clear, Brown, Gold or Black without tracer | Clear, Brown, Gold or Black with tracer |
| Insulated wire (other than green) with copper conductor | Insulated wire (other than green) with silver conductor |

*Note: When parallel wires (SPT I & SPT II) are used. The neutral wire is square shaped or ridged and the other wire will be round in shape or smooth (see illus.)



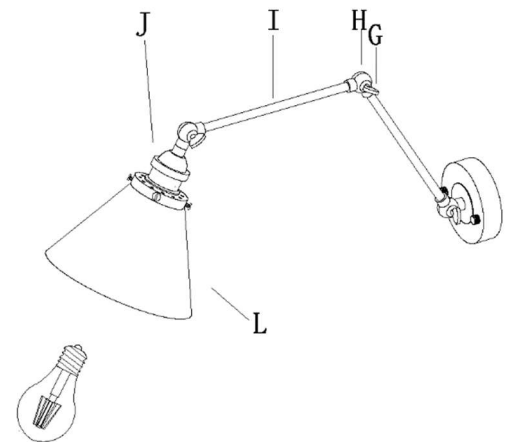
Twist plastic wire connector until wires are tightly joined together,wrap each connector with approved electrical tape for more secure connection and carefully tuck all wires into the outlet box

- 6) Put the back plate (E) onto the screws and secure with ball nuts (F)



7) Install bulb (Not included. Please do not exceed the maximum capacity recommended on the socket.)

Adjust the fixture to desired direction through unscrewing the stud (G). Once the desired direction achieved, tighten the stud (G).



4. Check everything is already installed properly, then you could turn on the light. Enjoy

CLEANING

To clean, wipe fixture with a soft cloth. Do not use abrasive materials such as scouring pads or powders, steel wool or abrasive paper.

ORDERING PARTS

Keep this sheet for future reference, and in case you need to order replacement parts. All parts for this fixture can be ordered from place of purchase. Be sure to use exact wording from illustration when ordering parts.