

**RENAISSANCE® 5' x 32" BATHING POOL**

Comfortable bathing design with form-fitted backrest and molded-in armrests

**Model 2732.002 Bathing Pool**

- Acrylic with fiberglass reinforcement
- Dual, molded-in arm rests
- Form-fitted backrest for comfort
- Wide corner deck storage areas at drain end
- Textured bottom tub floor helps prevent slips and falls
- Versatile island, peninsula, or alcove drop-in installation
- Optional easy-to-install acrylic apron and tile bead kit
- Deep Soak® bath drain allows 2" deeper tub fill for luxurious soaking

**Nominal Dimensions:**

60" x 32-3/4" x 19-3/4"  
(1524 x 832 x 502mm)

**Compliance Certifications -**

**Meets or Exceeds the Following Specifications:**

- ANSI CSA B45.5/IAPMO Z124

SEE REVERSE FOR ROUGHING-IN DIMENSIONS  
AND PRODUCT SPECIFICATIONS



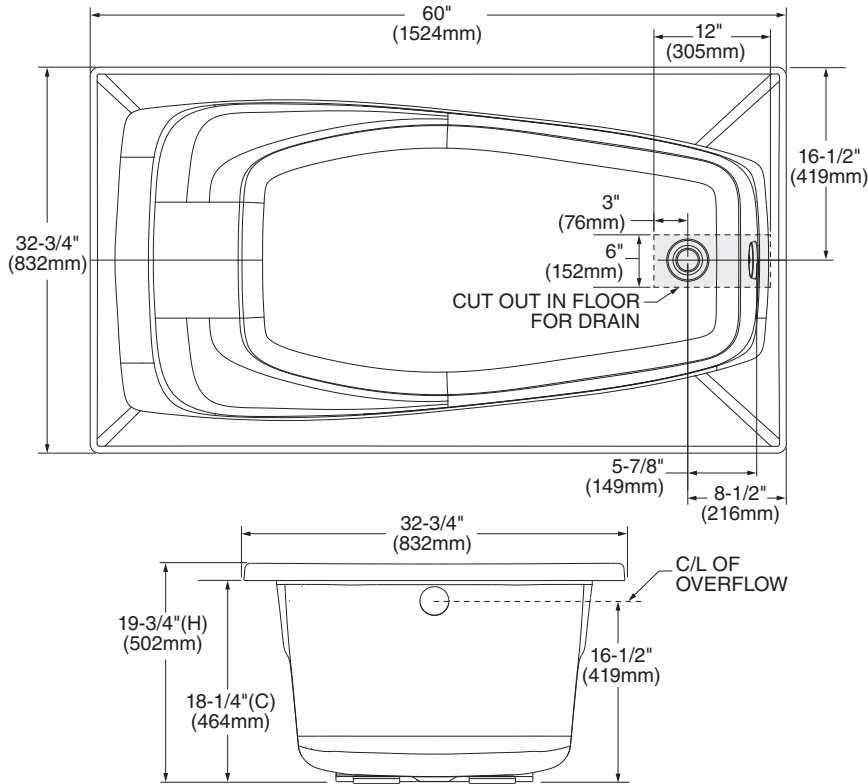
**Components Required:**

- Bath Filler\*\*: (specify finish)
- Bath Drain:

**Optional Components:**

- 5 Foot Apron: 9261.019.020
- Universal Tile Bead Kit: 751755-100
- Deep Soak Drain: 1599.500.020 (white)

\*\* See American Standard Faucet Selector



■ DIMENSIONS OF FIXTURES ARE NOMINAL AND MAY VARY WITHIN THE RANGE OF TOLERANCES ESTABLISHED BY ANSI STANDARDS CSA B45.5/IAPMO Z124.

<b>GENERAL SPECIFICATIONS FOR 2732 BATHING POOL</b>	
INSTALLED SIZE	60 x 32-3/4 x 19-3/4 In. (1524 x 832 x 502mm)
WEIGHT	55 Lbs. (25 Kg.)
WEIGHT w/WATER	524 Lbs. (237 Kg.)
GAL. TO OVERFLOW	55 Gal. (208 L.)
BATHING WELL AT SUMP	42-5/8 x 19-1/4 In. (1082mm x 489mm)
BATHING WELL AT RIM	52 x 26-1/2 In. (1321mm x 673mm)
WATER DEPTH TO OVERFLOW	13-3/4 In. (350mm)
FLOOR LOADING (PROJECTED AREA)	43 Lbs./Sq. Ft. (213 Kgs/Sq. m.)

**NOTES:**

BATH CAN BE INSTALLED EITHER ABOVE OR BELOW FLOOR LINE AS PIER, ISLAND, OR PENINSULA TYPE INSTALLATION. SUPPORT OF BATH BY SUMP BEDDING. SUPPORT AND ENCLOSING MATERIAL BY OTHERS.

■ REFER TO INSTALLATION INSTRUCTIONS SUPPLIED WITH TUB FOR ADDITIONAL INFORMATION.

OPTIONAL 3 WALL TILING BEAD. KIT AND APRON NO. 9260.018 AVAILABLE AND MUST BE ORDERED SEPARATELY.

FITTINGS NOT INCLUDED AND MUST BE ORDERED SEPARATELY.

PROVIDE SUITABLE REINFORCEMENT FOR ALL SUPPORTS.

**IMPORTANT:** Dimensions of fixtures are nominal and may vary within the range of tolerances established by ANSI Standards CSA B45/IAPMO Z124. These measurements are subject to change or cancellation. No responsibility is assumed for use of superseded or voided pages.