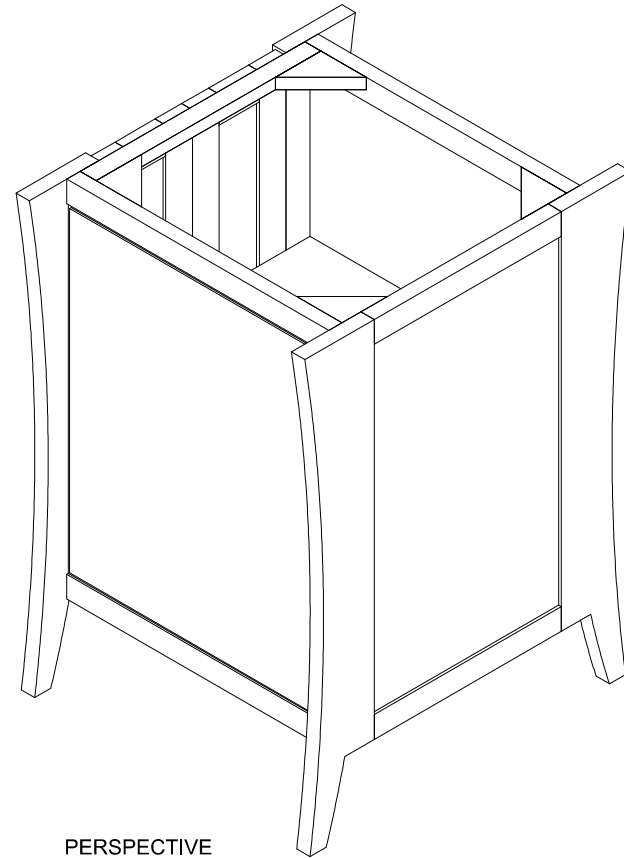


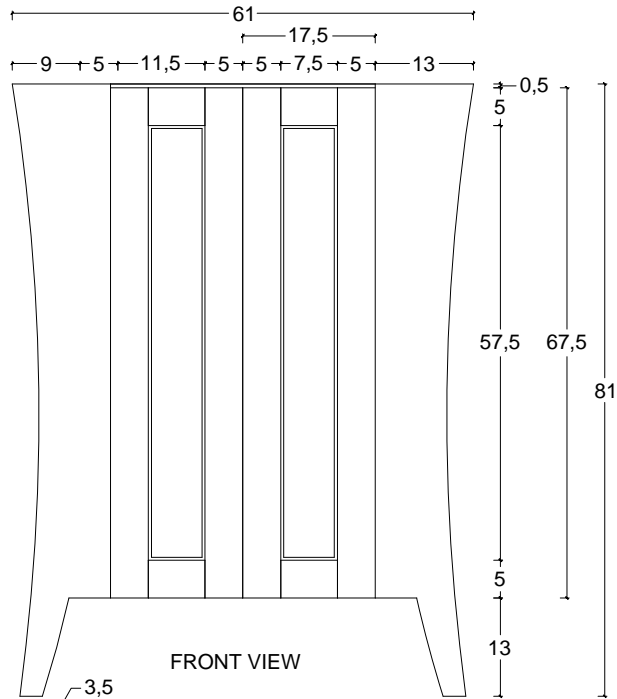
PERSPECTIVE
(FRONT)



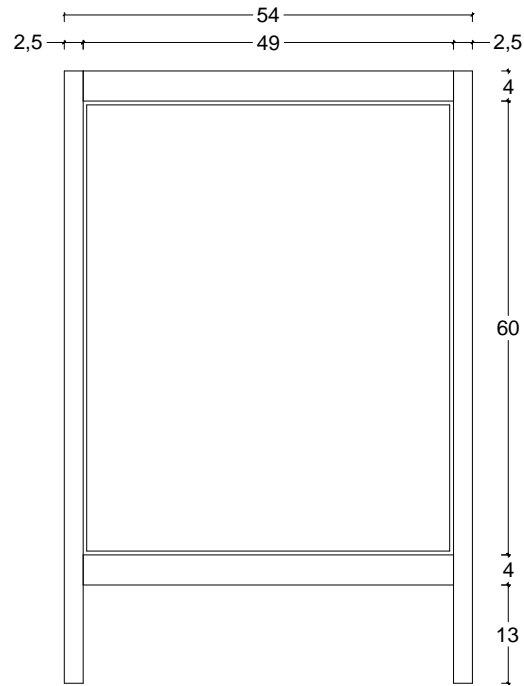
PERSPECTIVE
(BACK)

Confidential All Right Reserved. No manufacturing or distribution with out permission of E&T Horizons, USA

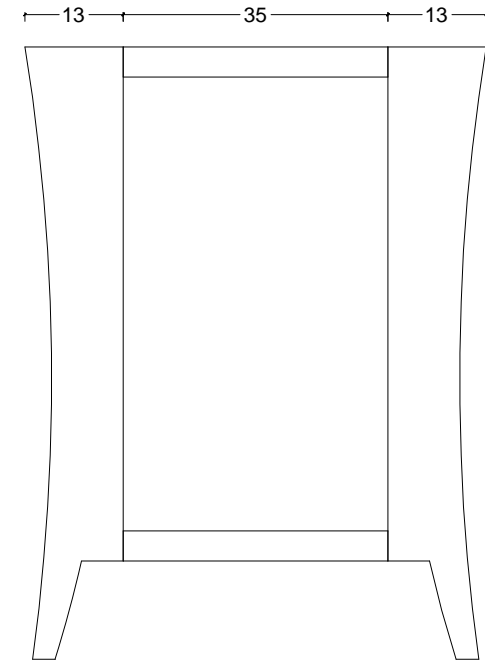
	DESCRIPTION :	SIZE :	REVIEWED BY :	PREPARED BY :	DATE :	REVISED DATE :	PAGE :
	WEDGE LEGS 24" W SOFT CLOSE ST-BT-24	61 * 54 * 81 Cm		E&T Horizons	04 NOV 2017		1



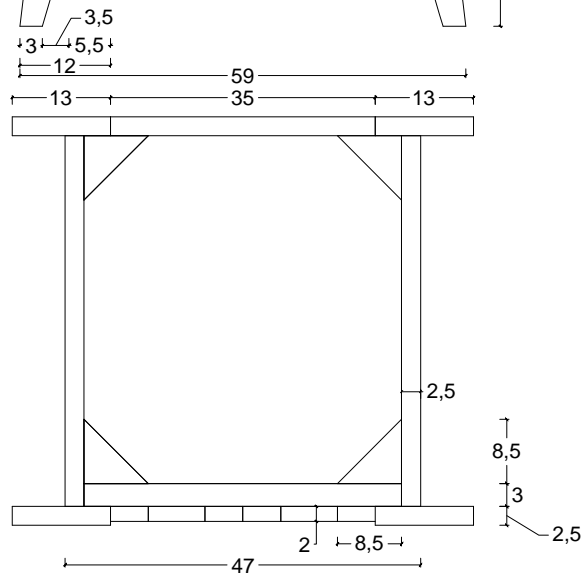
FRONT VIEW



SIDE VIEW



BACK VIEW



TOP VIEW

Confidential All Right Reserved. No manufacturing or distribution with out permission of E&T Horizons, USA

DESCRIPTION :	SIZE :	REVIEWED BY :	PREPARED BY :	DATE :	REVISED DATE :	PAGE :
WEDGE LEGS 24" W SOFT CLOSE ST-BT-24	61 * 54 * 81 Cm		E&T Horizons	04 NOV 2017		2