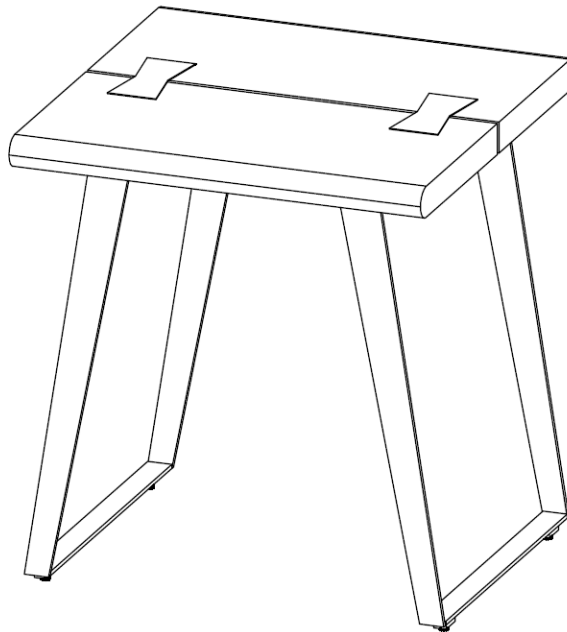


ASSEMBLY INSTRUCTIONS

NATURAL LIVE EDGE LOOK END TABLE WITH METAL BASE



Questions, problems, missing parts? Before returning to the store,
call Home Decorators Collection Customer Service.
8 a.m. – 7 p.m., EST, Monday – Friday, 9 a.m. – 6 p.m., EST, Saturday

1-800-998-7021

[HOMEDEPOT.COM/HOMEDECORATORS](https://www.homedepot.com/homedecorators)

THANK YOU

We appreciate the trust and confidence you have placed in Home Decorators Collection through the purchase of this natural live edge look end table with metal base. We strive to continually create quality products designed to enhance your home. Visit us online to see our full line of products available for your home improvement needs. Thank you for choosing Home Decorators Collection!

Table of Contents

Table of Contents	2
Safety Information.....	2
Warranty	2
What is Covered	2
What is Not Covered	2
Pre-assembly.....	3
Planning assembly	3
Tools required	3
Hardware Included	3

Package Contents	4
Assembly	5-6
Maintenance	7
Care and Cleaning	7

Safety Information



DANGER

- Keep small parts away from children and pets during assembly.
- Read and follow instructions carefully.



WARNING

- Read these instructions carefully and keep in a safe place.
- TO GUARANTEE THE SAFE USE OF THIS PRODUCT, FOLLOW THE WARNINGS, GUIDELINES AND RECOMMENDATIONS IN THIS MANUAL.
- Adult assembly required.
- Small parts may present choking hazard prior to assembly.
- Do not stand, step or climb on unit.



CAUTION

- Do not use power tools to assemble your furniture. Power tools may strip or damage parts/product.
- Do not overtighten connectors (screws, bolts, etc.). Overtightening can lead to product damage.
- Be sure to check all packing materials carefully for small parts that may have come loose inside the carton during shipment. If parts are missing, contact THE HOME DEPOT to obtain any missing parts.
- DO NOT USE SUBSTITUTE PARTS.
- This product should only be used on a flat, level surface.
- Assembly requires two people; assembly alone may cause injury.

Warranty

3 YEAR WARRANTY

WHAT IS COVERED

We guarantee this product to be free of manufacturing defects to the original purchaser for three years.

WHAT IS NOT COVERED

This warranty does not cover commercial use, acts of nature, and abusive use.

Pre-assembly

PLANNING ASSEMBLY

Two people are required for the assembly of this product and Keep children and pets away from the assembly area. Make sure that area is large enough to unpack, sort, and assemble the unit.



NOTE: Do not dispose of any packaging or contents of the shipping carton until assembly is completed to avoid accidentally discarding small parts or hardware.

TOOLS REQUIRED



Safety
Goggles

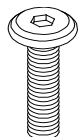


Level

HARDWARE INCLUDED



NOTE: Hardware not shown to actual size.



AA



BB



CC

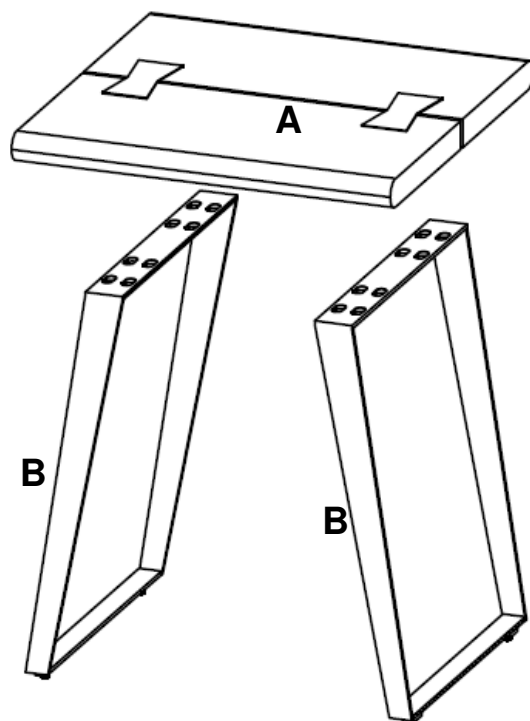


DD

Part	Description	Quantity
AA	Allen Bolt	16
BB	Washer	16
CC	Lock Washer	16
DD	Allen Key	1

Pre-assembly (continued)

PACKAGE CONTENTS

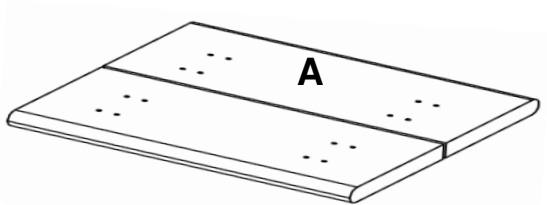


Part	Part Name	Quantity
A	Table Top	1
B	Leg	2

Assembly

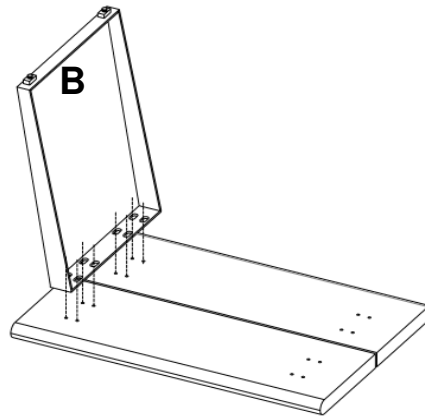
1 Flip the coffee table top

- Place the table top (A) upside down on a carpet or rug.



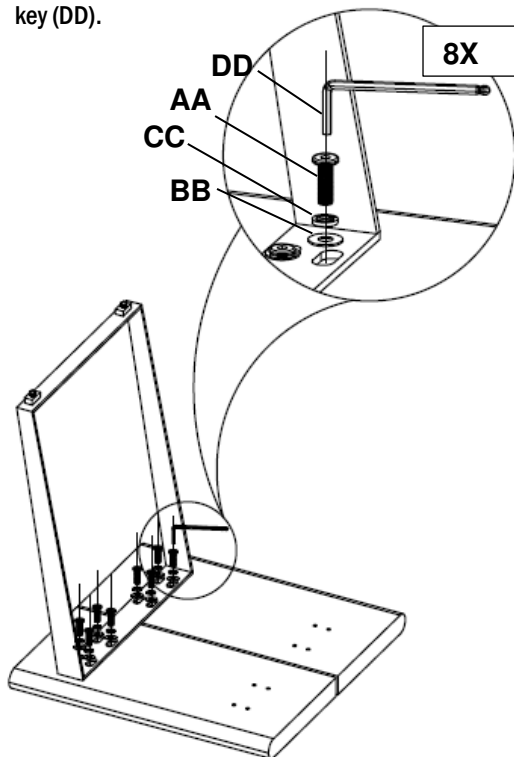
2 Place the leg

- Place the leg (B) with matching holes.



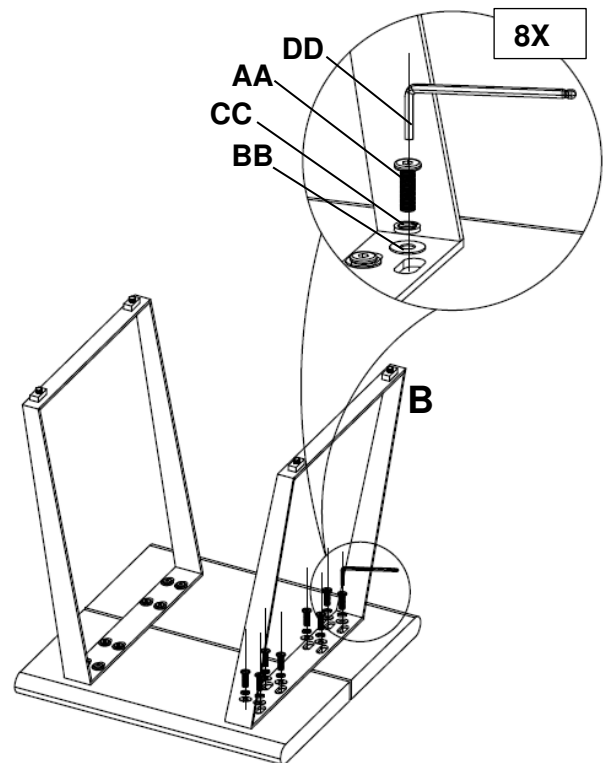
3 Attach the leg

- Secure the leg (B) to the table top (A) using bolts (AA), lock washers (CC), and washers (BB). Tighten the bolts with the Allen key (DD).



4 Complete the assembly

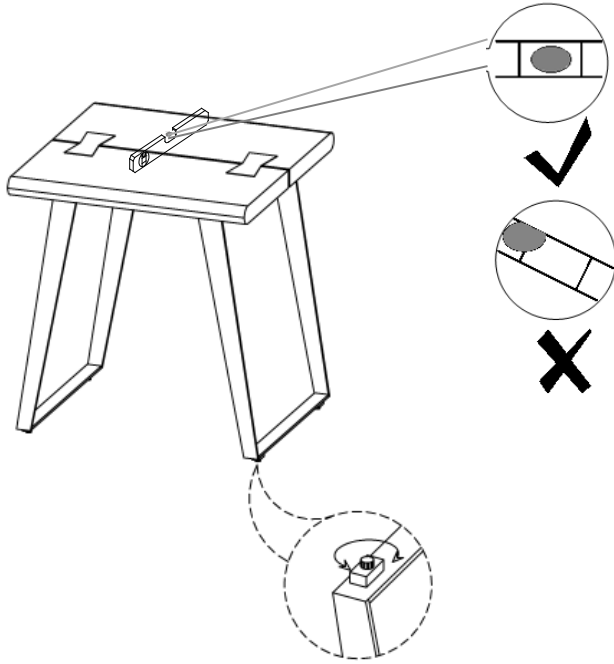
- Repeat steps 2 and 3 to attach the second leg (B).



Assembly (continued)

5 Turn the table right side up

- Place the coffee table in its upright position and adjust the leveler according to the floor.



Maintenance

- Keep the product away from direct heat & sunlight.
- Prolonged exposure to heat sources may cause scorching, or even cause color to fade.
- Regular vacuuming and light brushing helps to remove dirt and prevent soil buildup, which increases the appearance of wear.
- Hardware may loosen over time. Periodically check to make sure all connections are tight. Re-tighten if necessary.

Care and Cleaning

- Vacuum your product regularly. Small dust particles are very abrasive and can wear furniture prematurely.
- Never use harsh chemicals or solvents on your product as this may damage the surface.
- Marks and stains from pens, crayons and ink markers are difficult to remove. In the event that your product becomes permanently stained, we recommend that you consult a professional.

HOME
DECORATORS
COLLECTION®

Questions, problems, missing parts? Before returning to the store,
call Home Decorators Collection Customer Service
8 a.m. – 7 p.m., EST, Monday – Friday, 9 a.m. – 6 p.m., EST, Saturday

1-800-998-7021

HOMEDEPOT.COM/HOMEDECORATORS

Retain this manual for future use.