



Item # 1001 222 714  
Model # WG20

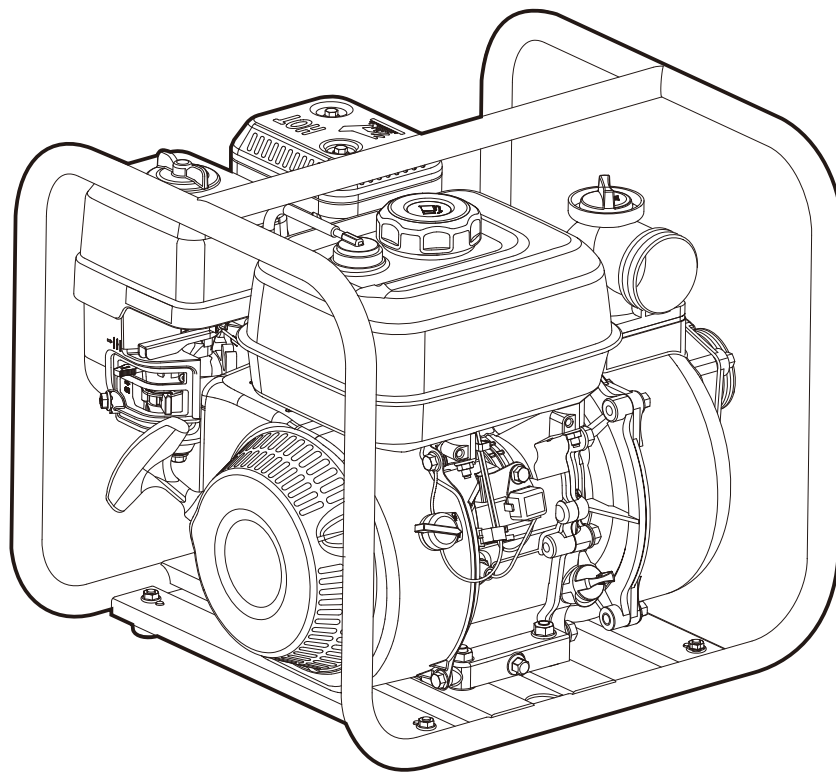
**EVERBILT**<sup>TM</sup>



# USE AND CARE GUIDE

---

## ENGINE DRIVE SELF-PRIMING PUMP



Questions, problems, missing parts? Before returning to the store,  
call Everbilt Customer Service  
8 a.m. - 6 p.m., EST, Monday-Friday

**1-844-883-1872**

**HOMEDEPOT.COM**

---

### THANK YOU

*We appreciate the trust and confidence you have placed in Everbilt through the purchase of this pump. We strive to continually create quality products designed to enhance your home. Visit us online to see our full line of products available for your home improvement needs. Thank you for choosing Everbilt!*

# Table of Contents

|                         |   |                                  |    |
|-------------------------|---|----------------------------------|----|
| Table of Contents.....  | 2 | Before Starting the Engine ..... | 6  |
| Safety Information..... | 2 | Engine Operation .....           | 7  |
| Warranty.....           | 2 | Repair and Maintenance .....     | 9  |
| Pre-Installation .....  | 3 | Troubleshooting.....             | 12 |
| Installation .....      | 4 | Service Parts .....              | 13 |
| Operation .....         | 5 |                                  |    |

# Safety Information



**WARNING:** Fire and explosion hazard. Gasoline can explode. Store gasoline away from the engine. Add gasoline to the engine only when the engine is off.



**WARNING:** Burn hazard. Hot surface. The engine gets very hot during operation. Do not touch the engine surfaces. Keep children away. Allow the engine to cool before moving it indoors.



**WARNING:** Deadly fumes. Carbon monoxide. Never run the engine in an enclosed space. Only use outdoors with plenty of ventilation.



**WARNING:** This product and related accessories contain chemicals known to the State of California to cause cancer, birth defects or other reproductive harm.



**IMPORTANT:** For best possible performance and continuous, satisfactory operation, read these instructions before installing your new pump. Should service be required, this manual can be a valuable guide, it should be kept near the installation for ready reference.

Ensure the ambient temperature of the water pump engine is at +5°C~+40°C.

# Warranty

The manufacturer warrants the products to be free from defects in materials and workmanship for a period of six months from date of purchase. This warranty applies only to the original consumer purchaser and only to products used in normal use and service. If within six months this product is found upon examination by the manufacturer to be defective in materials or workmanship, the manufacturer's only obligation, and your exclusive remedy, is the repair or replacement of the product at the manufacturer's discretion, provided that the product has not been damaged through misuse, abuse, accident, modifications, alterations, neglect or mishandling. Your original receipt of purchase is required to determine warranty eligibility.

The purchaser must pay all labor and shipping charges necessary to replace the product covered by this warranty.

This Limited Warranty does not cover products which have been damaged as a result of an accident, misuse, abuse, negligence, alteration, improper installation or maintenance, or failure to operate in accordance with the instructions supplied with the products, or operational failures caused by corrosion, rust, or other foreign materials in the system.

Requests for service under this warranty shall be made by returning the defective product to the manufacturer as soon as possible after the discovery of any alleged defect. The manufacturer will subsequently take corrective action as promptly as reasonably possible.

The manufacturer does not warrant and especially disclaims any warranty, whether express or implied, of fitness for a particular purpose, other than the warranty contained herein. This is the exclusive remedy and any liability for any and all indirect or consequential damages or expenses whatsoever is excluded.

Some states do not allow the exclusion or limitation of incidental or consequential damages or limitations on how long an implied warranty lasts, so the above limitations or exclusions may not apply to you. This warranty gives you specific legal rights and you may also have other rights which vary from state to state.

Contact the Customer Service Team at 1-844-883-1872 or visit [www.HomeDepot.com](http://www.HomeDepot.com).

# Pre-Installation

## APPLICATION

The pump is a clean water pump and cannot pump sewage and sea water. Please avoid silt, oil stain or other pollution liquid which will cause corrosion of the parts.

## PERFORMANCE

| SKU          | HP     | GPH of water @ Total Feet Of Lift |        |        |        |        | Max. Lift |
|--------------|--------|-----------------------------------|--------|--------|--------|--------|-----------|
|              |        | 0 ft.                             | 20 ft. | 40 ft. | 60 ft. | 80 ft. |           |
| 1001 222 714 | 5.5 HP | 150                               | 130    | 105    | 90     | 30     | 90 ft.    |

## SPECIFICATIONS

| Pump | Suction port diameter (in.)   | 2   | Engine | Model                   | GB200-3              |
|------|-------------------------------|-----|--------|-------------------------|----------------------|
|      | Discharge port diameter (in.) | 2   |        | Type                    | Air-cooled, 4-stroke |
|      | Suction head lift (ft.)       | 20  |        | Displacement (cc)       | 196                  |
|      | Total head lift (ft.)         | 90  |        | Rated output (kW-r/min) | 4.2/3600             |
|      | Discharge capacity (GPM)      | 150 |        | Ignition system         | Transistor Magneto   |

## TOOLS REQUIRED

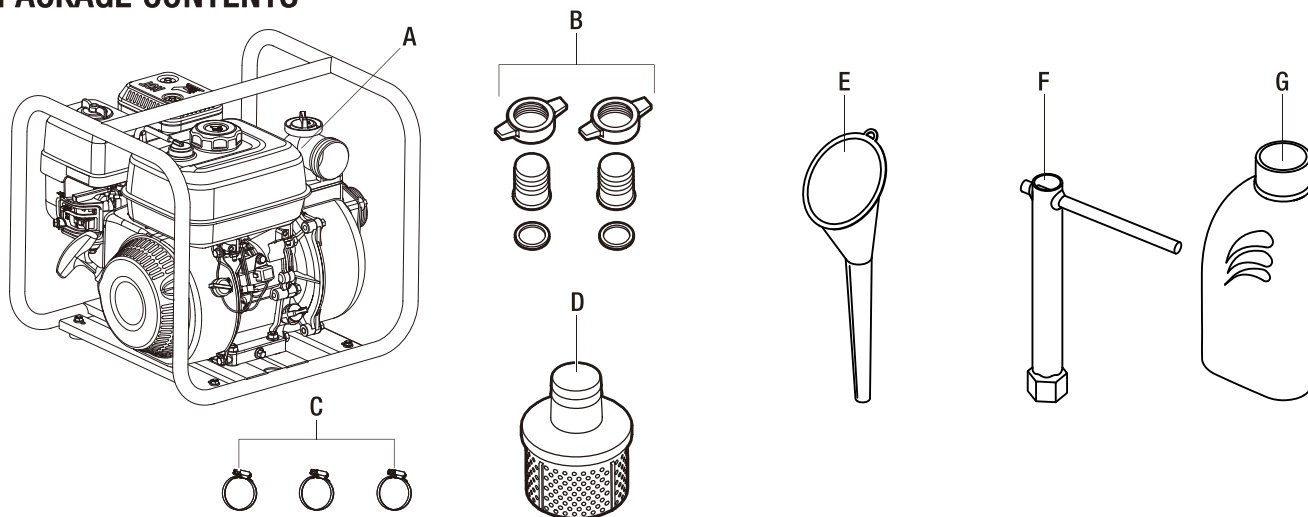


Flathead screwdriver



Phillips screwdriver

## PACKAGE CONTENTS



| Part | Description    | Quantity |
|------|----------------|----------|
| A    | Pump           | 1        |
| B    | Joint assembly | 2 sets   |
| C    | Clamp          | 3        |
| D    | Stainer        | 1        |

| Part | Description        | Quantity |
|------|--------------------|----------|
| E    | Funnel             | 1        |
| F    | Spark plug sockets | 1        |
| G    | Oil bot            | 1        |

# Installation

1. Place the unit as close to the water source as possible to minimize suction lift, obtain the best pumping performance, and aid in priming.

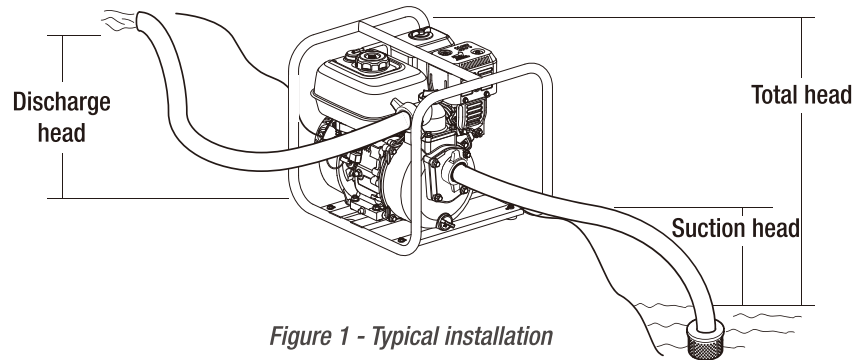


Figure 1 - Typical installation

2. For a permanent installation, mount the unit on a foundation that will support the weight of pump and engine and also provide stability while the pump is running. For most permanent installations, it is advisable to bolt the unit directly to the foundation.

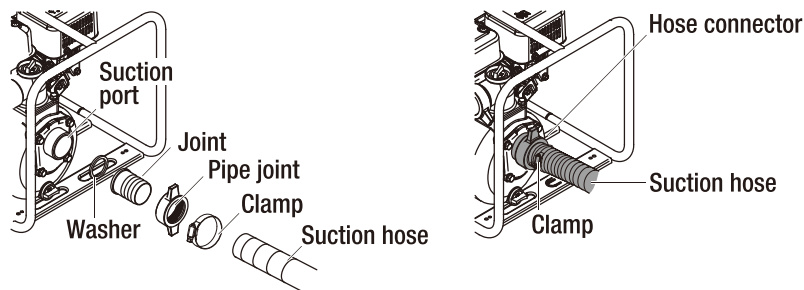


**NOTE:** Settling and/or shifting during operation can cause piping to place excessive strain on the pump and may damage the pump case. Set the pump on a hard level surface.

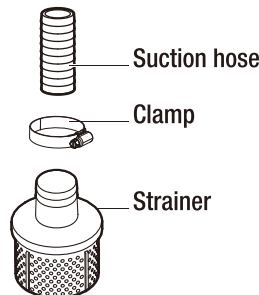
3. Connect suction hose (not included) to the pump suction. The hose must be rated to hold the suction pressure and prevent collapse while the pump is running.
4. Make the suction hose a continuous rise from the water source to the pump. High spots can trap air and also make priming difficult. Make sure all connections are tight and free of air leaks.



**NOTE:** Suction hose must be at least as large as the pump suction port in order for the pump to operate properly.



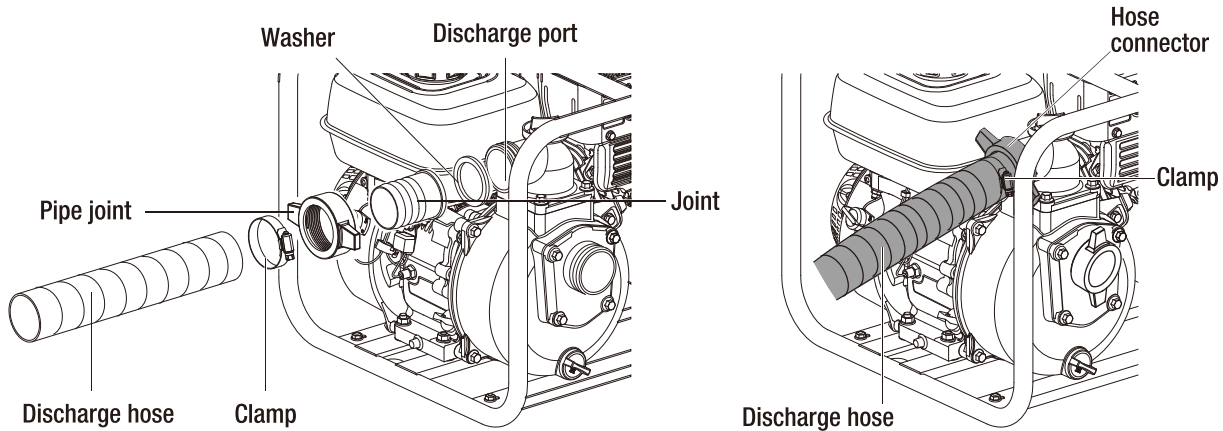
5. Install the strainer (provided with the pump) on the other end of the suction hose, and secure it with a hose clamp. The strainer will help to prevent the pump from becoming clogged or damaged by debris.



**WARNING:** Never operate the pump without the strainer installed.

## Installation (continued)

6. Connect discharge hose (not included) to the pump discharge port. It is best to use a short, large-diameter hose, because this will reduce fluid friction and improve pump performance. A long or small-diameter hose will increase fluid friction and reduce pump output.
7. Tighten the clamp securely to prevent the discharge hose from disconnecting under high pressure.



## INSTALLATION REQUIREMENTS

- Use reinforced hose to make the suction connection.
- Hose must be strong enough to not collapse during operation.
- Suction screen area must be at least four times suction pipe area.
- All suction hose must slope up toward the suction port.
- Support the hose and fittings to reduce strain on the pump case.
- Depth of suction port must be at least four (4) times the diameter of suction hose to avoid forming vortices.  
Example: 2" Pipe x 4 = 8" minimum depth

## Operation



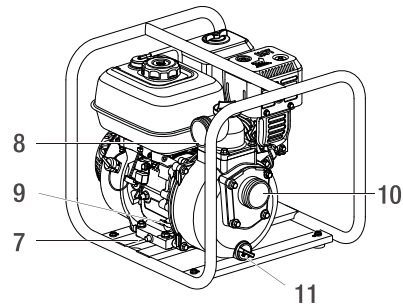
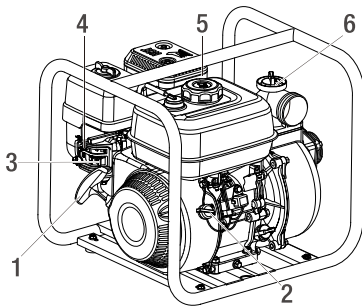
**NOTE:** Do not start or run the pump dry or damage to the mechanical seal will result.



**NOTE:** Add engine oil before startup.

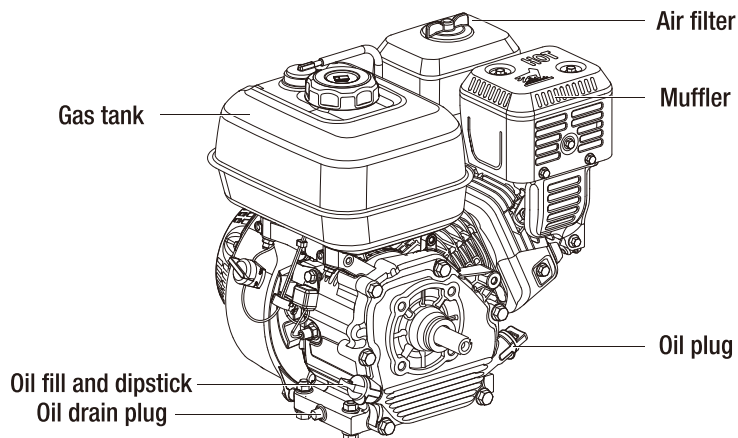
1. A self-priming pump only needs to be manually primed at the first start-up. Once primed, under normal conditions the pump will reprime automatically at each subsequent start-up. If the pump is used in portable applications and the water has been drained from the pump case, re-prime before start-up.
2. To prime, remove the water filler plug (6) from the top discharge port and fill the pump with water. Replace the plug and start the pump. The pump will require a few minutes to evacuate air from the suction line. After several minutes of operation, the pump will be fully primed and pumping water. Priming time will vary depending on the length and diameter of the suction line.
3. Refer to the Before you Start the Engine and Engine Operation sections of this manual for starting and operating instructions.

## Operation (continued)



- |                        |                              |                          |                    |
|------------------------|------------------------------|--------------------------|--------------------|
| 1. Recoil starter grip | 4. Choke lever               | 7. Oil drain plug        | 10. Suction port   |
| 2. Ignition switch     | 5. Fuel cap                  | 8. Discharge port        | 11. Pump drain cap |
| 3. Fuel valve lever    | 6. Priming water filler plug | 9. Oil fill and dipstick |                    |

## Before Starting the Engine

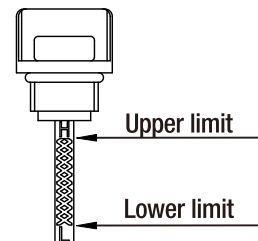


### CHECKING AND FILLING THE OIL

The engine is shipped without oil. It must be filled before starting the engine.

1. Fill oil by removing the fill cap and dipstick. Wipe off any excess oil from the dipstick.
2. Add recommended oil to the upper limit.
3. Check the oil level by pushing the cleaned dipstick into the oil fill opening. **DO NOT SCREW IT IN.** Remove the dipstick and inspect it. Add oil if needed.
4. Reinstall the cap and dipstick.

Oil capacity is 0.63 quarts (0.6 liter). Under normal conditions use 10W-30 oil. Use 10W-40 oil if the engine is to be run in temperatures over 90°F (32°C). The engine has a low-oil monitoring system. If the oil level drops too low, the system will automatically turn off the engine.

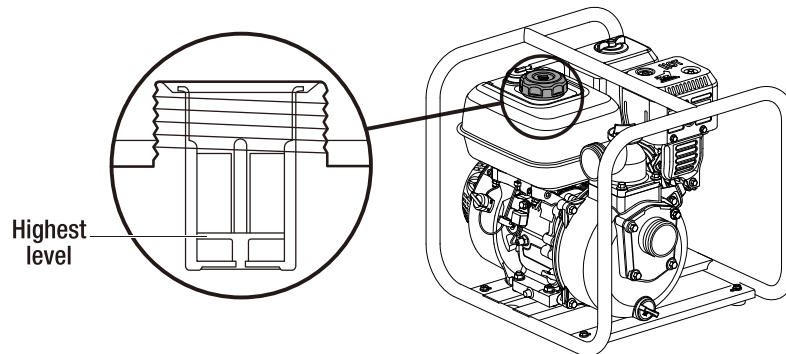


Scale mark of the oil level gauge

## Before Starting the Engine (continued)

### ADDING GASOLINE

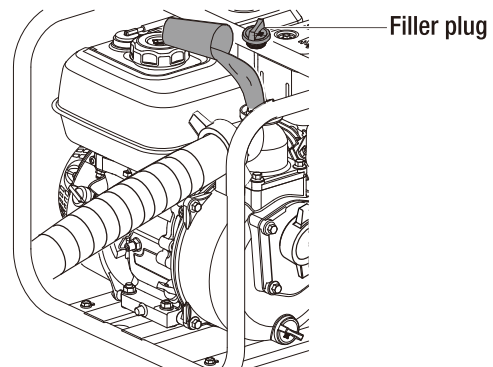
Remove the fuel cap and fill the fuel tank with clean fresh gasoline. This should be unleaded fuel that has an octane rating of 86 or higher. Do not fill the tank to overflowing. Clean up any spilled gasoline before starting the engine.



## Engine Operation

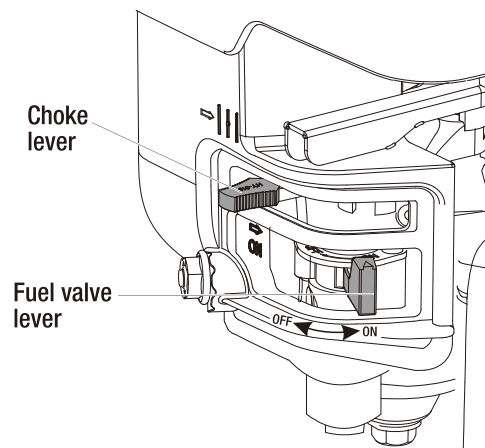
### FILL WATER

Before starting the engine, remove the filler plug from the pump chamber, and completely fill the pump chamber with water. Reinstall the filler plug and tighten it securely.



### OPENING THE FUEL VALVE

Move the fuel valve lever to the "ON" to allow fuel to the engine.



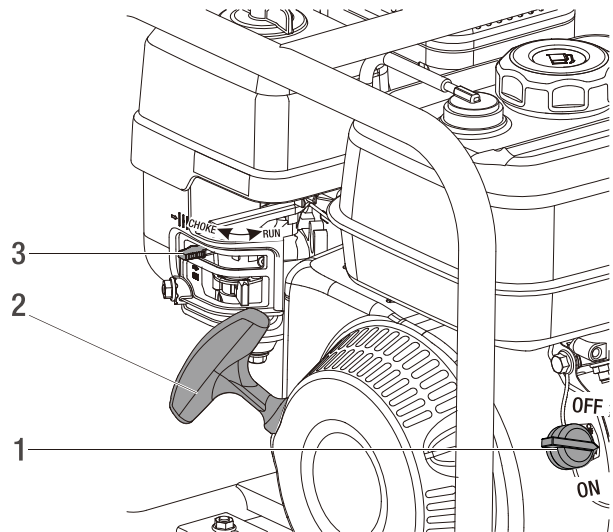
# Engine Operation

## TURNING THE ENGINE ON

- The ignition switch (1) controls the ignition. Move it to the “ON” position to start the engine.
- When starting a cold engine, move the choke lever (3) to the CHOKE(left).
- Pull the recoil starter grip (2) on the recoil starter.
- As the engine warms up move the choke lever the RUN(right).

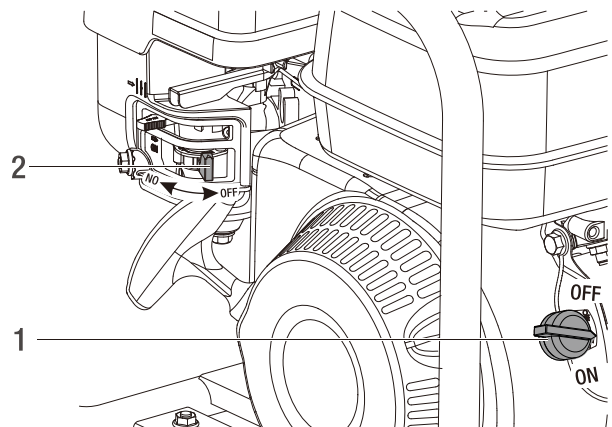
### NOTE:

1. Before starting a cold engine, you **MUST** move the choke lever(3) to the CHOKE(left). As the engine warms up, move it towards the RUN(right).
2. If start with warm engine(the engine has ran for a period), stay the choke lever(3) to the RUN(right).



## STOPPING THE ENGINE

- Stop the engine by turning the ignition switch (1) to “OFF”.
- Move the fuel valve lever (2) to OFF (left).





# Repair and Maintenance

Adjust and maintain the gasoline engine strictly in accordance with the maintenance methods and instructions listed in this manual.

## DAILY MAINTENANCE

The regular inspection and adjustment must be carried out to ensure the gasoline engine maintains its excellent performance. The regular maintenance also ensures a prolonged service life. See the table below for regular maintenance cycle.

| Item                              |                      | Maintenance Cycle                                   |                           |                            |                            |                           |                            |
|-----------------------------------|----------------------|---|---------------------------|----------------------------|----------------------------|---------------------------|----------------------------|
|                                   |                      | Each time of Use                                    | Every 1 month or 10 hours | Every 3 months of 20 hours | Every 6 months or 50 hours | Every 1 Year or 100 Hours | Every 2 Years or 200 Hours |
| Lubricating Oil                   | Check the oil level  | ■   |                           |                            |                            |                           |                            |
|                                   | Replacement          |   |                           | □                          | ■                          |                           |                            |
| Air Filter                        | Check                | ■   |                           |                            |                            |                           |                            |
|                                   | Cleaning             |   |                           | ■ <sup>a</sup>             |                            |                           |                            |
| Spark Plug                        | Check and adjustment |   |                           |                            | ■                          |                           |                            |
|                                   | Replacement          |   |                           |                            |                            |                           | ■                          |
| Spark extinguisher (optical part) | Cleaning             |   |                           |                            |                            | ■                         |                            |
| Bolt, nut, and other fasteners    | Check                | Screwing up if necessary                            |                           |                            |                            |                           |                            |
| Cooling fin                       | Check                |   |                           |                            | ■                          |                           |                            |
| Max. no-load speed                | Check and adjustment |   |                           |                            |                            | ■ <sup>b</sup>            |                            |
| Valve clearance                   | Check and adjustment |   |                           |                            |                            | ■ <sup>b</sup>            |                            |
| Combustion chamber                | Cleaning             | 200 hours later                                     |                           |                            |                            |                           |                            |
| Fuel strainer                     | Check                |   |                           |                            |                            | ■ <sup>b</sup>            |                            |
| Fuel tank                         | Check                |   |                           |                            |                            | ■ <sup>b</sup>            |                            |
| Fuel pipe                         | Check                | Every 2 years (replace when necessary) <sup>b</sup> |                           |                            |                            |                           |                            |

### Notes:

- Indicates maintenance interval of specified items.
- Indicates maintenance to be carried out after first operation.

With respect to gasoline engines for commercial purposes and under long-term operation, their maintenance intervals shall be appropriately determined.

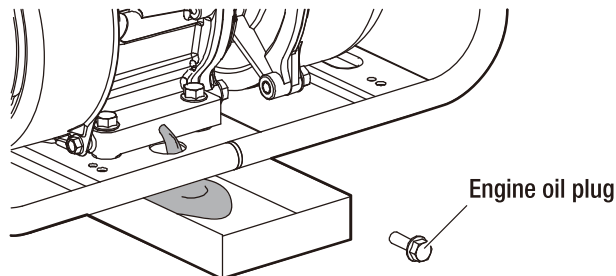
- a. Increase the maintenance interval if it is used in the dusty area.
- b. The maintenance of these items shall be conducted by maintenance service stations specially authorized by our company, unless the users have appropriate tools and the maintenance ability.

# Repair and Maintenance (continued)

## REPLACEMENT OF LUBRICATING OIL

Run the pump with water for five (5) minutes and then shut it down before replacing the engine's lubricating oil. This ensures the quick and complete release of the lubricating oil.

- Check if the oil tank cover is tightened.
- Unscrew the engine oil plug and tilt the engine towards the cylinder head cover, drain the oil into an appropriate container and then screw up the engine oil plug.
- Unscrew the oil fill and dipstick, fill the recommended lubricating oil through the oil filler and check the oil level (no more than 600 ml).



### Precautions:

- It is recommended to replace the lubricating oil when there is no or little fuel in the fuel tank in case of fuel overflowing from the fuel tank when the engine is tilted.
- In case of lubricating oil overflowing, make sure to wipe off the oil. Wash hands with soap and water or detergent after contacting the lubricating oil, and then wash hands with clean water.
- Please dispose the waste lubricating oil and containers with methods in compliance with environmental protection requirements. It is suggested to store the waste lubricating oil into a sealed container and deliver it to the local waste oil recycle bin for treatment. It is forbidden to directly throw it into the dustbin or pour it into water.

## MAINTENANCE OF AIR FILTER

The function of the air filter is to filtrate impurities and dust in the air so as to mix clean air with fuel for the sake of stable engine performance. The dirty air filter will make the impurities and oil stains cover the element of the air filter, reduce the air capacity required by the combustion of gasoline engine, and cause the disproportion of gas mixture, abnormal combustion and engine performance attenuation.



**DANGER:** Do not use gasoline or cleaning agent with low ignition point to clean the filtering element of the air filter, as a fire or explosion may occur.

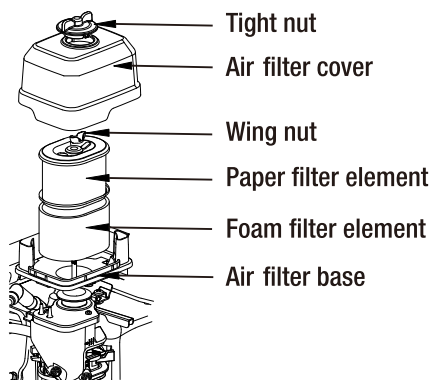


**WARNING:** Some solid impurities of high hardness directly into the combustion chamber of the engine will cause irretrievable fatal damage to the engine. Therefore, the maintenance frequency shall be increased if the engine is used at a place with high dust content.



**CAUTION:** It is strictly prohibited to operate the gasoline engine in the case of not installing the filtering element of the air filter as it may accelerate the wear and damage of the gasoline engine

- The air filter of the engine is of a double-element structure (foam + paper). For the purpose of inspection, remove the air filter casing and take out the filter element. The damaged filter element shall be duly replaced and usually replaced once during the maintenance.
- **Cleaning the foam filter element:** Wash the foam filter element with cleaning agent, swish it after cleaning with fresh water, and air dry before operation.
- **Cleaning the paper filter element:** Lightly beat the filter element several times, and blow air from the inside to the outside with compressed air (not exceeding 30 psi). Never use items such as a brush to clean the paper filter element.

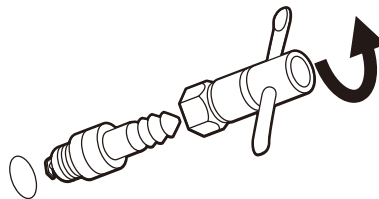


# Repair and Maintenance (continued)

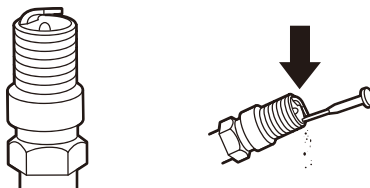
## MAINTENANCE OF SPARK PLUG (MODEL F7TC)

To ensure the normal operation of the engine, ensure the spark plug is always clean and properly adjusted as these steps show:

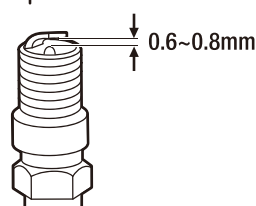
1. Remove the spark plug by twisting counterclockwise.



2. Gently remove any carbon deposits from the plug.



3. Ensure the clearance is between 0.6~0.8mm.

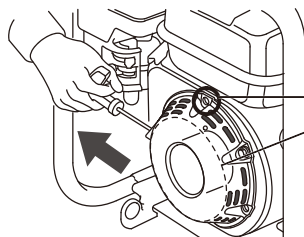


**WARNING:** The spark plug must be securely tightened in the engine. Otherwise, the combustion chamber will be not airtight during operation. The leakage of compressed air will reduce engine power and serious leakage will lead to engine failure.

## MAINTENANCE BEFORE A LONG-TERM SHUTDOWN

If the engine will not be used for a long period of time, perform the following maintenance steps on the engine before shutdown:

1. Drain the water in the pump body after operation, and store it indoor. Low temperature may cause frost crack of pump body.
2. Unscrew the fuel switch, unscrew the oil drain bolt at the bottom of the carburetor, and tighten the bolt after complete release of fuel in the fuel tank and carburetor.
3. Unscrew the oil drain bolt at the bottom of the crankcase to completely release the lubricating oil in the crankcase, and then tighten the oil drain bolt.
4. Perform the following maintenance steps on the engine cylinder:
  - Remove the spark plug.
  - Pour a teaspoon (5cc) of clean engine oil into the cylinder.
  - Pull the start handle several times to distribute the oil in the cylinder.
  - Reinstall the spark plug.
  - Pull the start handle slowly until resistance is felt and the notch on the starter pulley aligns with the hole at the top of the recoil starter cover. This will close the valves so moisture cannot enter the engine cylinder. Return the start handle gently.



Align the notch on the pulley with the hole at the top of the cover.

5. Wipe off the oil stain and dust on the external surface with a cleaning cloth and remove the dirt between the cooling fins, so as to keep the gasoline engine clean. After cleaning, store the engine in a clean, dry and ventilated location.

# Troubleshooting

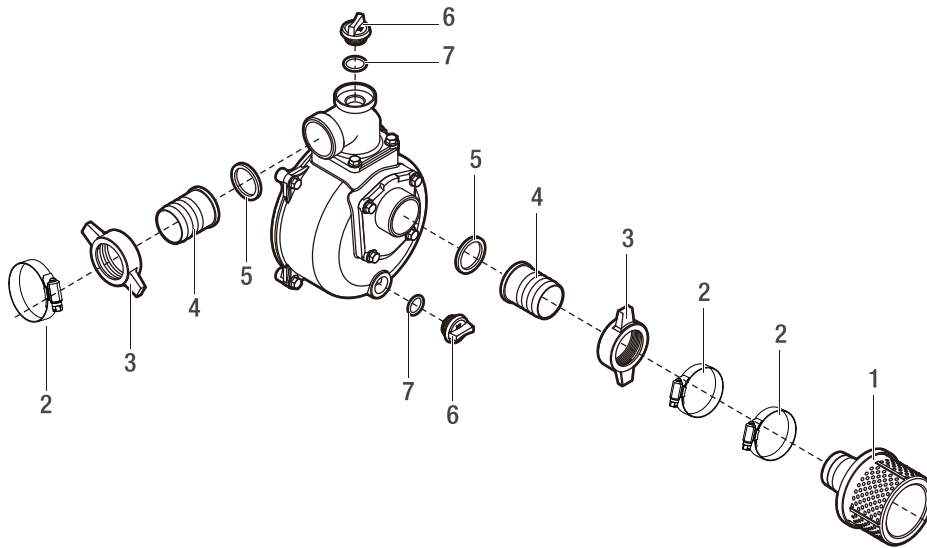


**CAUTION:** Do not disassemble this pump without the manufacturer's permission. The warranty does not cover unauthorized disassembly.

If the remedial actions in this table do not eliminate the faults or the faults encountered are unmentioned in this table, please contact Customer Service.

| Problem   | Probable Cause   | Resolution   |
|---|--|--|
| The engine experiences difficulty starting up, does not start up, or does not produce sufficient power. | Fuel is insufficient.  | Refill recommended fuel.   |
|   | On/off switch is not turned on.  | On/off switch is turned to "On" position.  |
|   | Choke is not closed.   | Close the choke.   |
|   | Too much carbon deposit in spark plug.   | Eliminate carbon deposit.  |
|   | Gap of spark plug is not correct.  | Adjust gap of spark plug to specified range.                                       |
|   | Spark plug is damaged.   | Replace spark plug.  |
|   | Use engine oil of poor quality or engine oil deteriorates.                                   | Replace engine oil.  |
|   | Overload or overheat.  | Check operating status.  |
|   | Engine oil is insufficient.  | Add appropriate volume of engine oil.  |
| The pump is either not pumping water or there is not enough pressure when running.                      | There is blockage in the filter.   | Remove the blockage.   |
|   | There is inadequate priming in the pump.   | Unscrew the water filling plug and fill with clean water.                          |
|   | Blockage, drop-out, leakage of water pipe, or too long or insufficient diameter of the pipe. | Check the water pipe.  |
|   | Water suction does not sink into water.  | Adjust the position of water suction, so that it is completely submerged in water. |
|   | Water suction pipe joint leaks.  | Check water pipe joint.  |
|   | The installation height of the water pump is too high.                                       | Decrease the installation height of the water pump.                                |

# Service Parts



| Part | Part Number    | Name       | Qty |
|------|----------------|------------|-----|
| 1    | 100022246      | Strainer   | 1   |
| 2    | 100123625      | Clamp      | 3   |
| 3    | 100030202      | Pipe joint | 2   |
| 4    | 100022201-0001 | Joint      | 2   |

| Part | Part Number | Name   | Qty |
|------|-------------|--------|-----|
| 5    | 100022187   | Washer | 2   |
| 6    | 100021938   | Plug   | 2   |
| 7    | 100021965   | O-ring | 2   |



Questions, problems, missing parts? Before returning to the store,  
call Everbilt Customer Service  
8 a.m. - 6 p.m., EST, Monday-Friday

**1-844-883-1872**

**HOMEDEPOT.COM**

Retain this manual for future use.



Núm. de artículo 1001 222 714

Núm. de modelo WG20

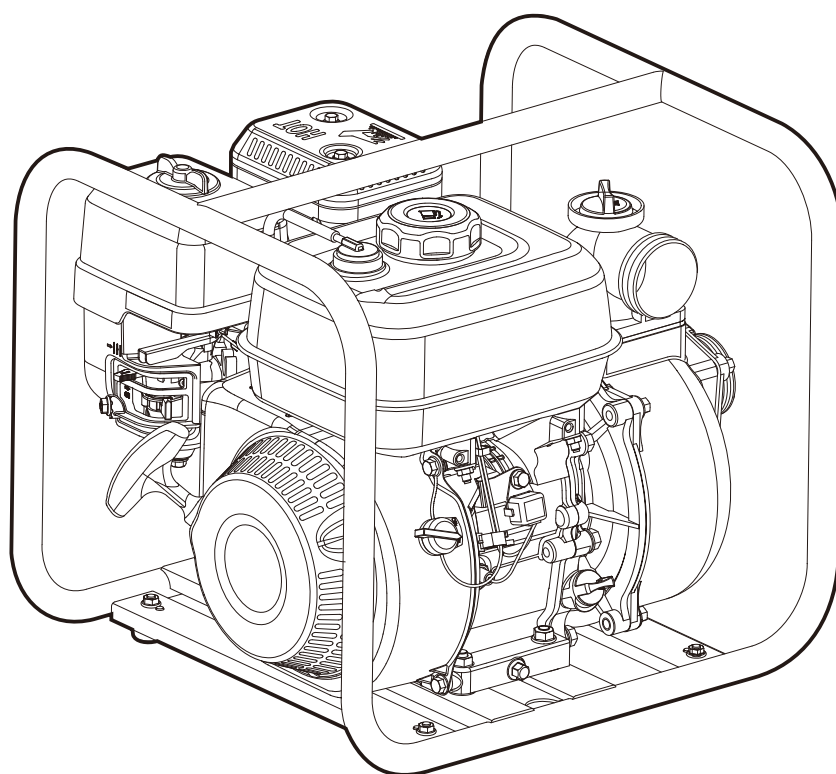
**EVERBILT**

TM



# GUÍA DE USO Y CUIDADO

## BOMBA DE AUTO CEBADO ACCIONADA POR MOTOR



¿Tiene preguntas, problemas, o faltan piezas? Antes de regresar a la tienda,  
llame a Servicio al Cliente de Everbilt  
de lunes a viernes de 8 a.m. a 6 p.m., hora local del Este

1-844-883-1872

HOMEDEPOT.COM

### **GRACIAS**

*Apreciamos la confianza que ha depositado en Everbilt por la compra de esta bomba. Nos esforzamos por crear continuamente productos de calidad diseñados para mejorar su hogar. Visítenos en internet para ver nuestra línea completa de productos disponibles para sus necesidades de mejorar su hogar. ¡Gracias por elegir a Everbilt!*

# Tabla de contenido

|                                |   |                                  |    |
|--------------------------------|---|----------------------------------|----|
| Tabla de contenido .....       | 2 | Antes de arrancar el motor ..... | 6  |
| Información de seguridad ..... | 2 | Operación del motor .....        | 8  |
| Garantía .....                 | 2 | Reparación y mantenimiento ..... | 9  |
| Pre-instalación .....          | 3 | Resolución de fallas .....       | 12 |
| Instalación .....              | 4 | Piezas de servicio .....         | 13 |
| Funcionamiento .....           | 5 |                                  |    |

## Información de seguridad



**ADVERTENCIA:** Peligro de incendio y explosión. La gasolina puede explotar. Guarde la gasolina lejos del motor. Agregue gasolina al motor solo cuando el motor esté apagado.



**ADVERTENCIA:** Peligro de explosión. Superficie caliente. El motor se pone muy caliente durante la operación. No toque la superficie del motor. Mantenga alejados a los niños. Deje que el motor se enfríe antes de moverlo a interiores.



**ADVERTENCIA:** Humos mortales. Monóxido de carbono. Nunca ponga a funcionar el motor en un espacio cerrado. Úselo únicamente en exteriores con bastante ventilación.



**ADVERTENCIA:** Este producto y los accesorios relacionados contienen sustancias químicas que el Estado de California sabe producen cáncer, defectos de nacimiento u otros daños reproductivos.



**IMPORTANTE:** Para un posible mejor desempeño y operación continua y satisfactoria, lea estas instrucciones antes de instalar su nueva bomba. En caso de que se requiera servicio, este manual puede ser una guía valiosa, debe mantenerse cerca de la instalación para una referencia rápida.

Asegúrese de que la temperatura ambiente del motor de la bomba de agua esté a +5°C~+40°C.

## Garantía

El fabricante garantiza que este producto está libre de defectos en materiales y mano de obra por un periodo de seis (6) meses a partir de la fecha de compra. Esta garantía aplica únicamente al comprador consumidor final y únicamente para los productos usados en condiciones de uso y servicio normal. Si en seis meses este producto se encuentra, luego de su revisión por parte del fabricante, que está defectuoso en materiales o mano de obra, la única obligación del fabricante y la única reparación, es reparar o reemplazar el producto a discreción del fabricante, siempre y cuando el producto no ha sido dañado por mal uso, abuso, accidente, modificaciones, alteraciones, negligencia o mal manejo. Es necesario su recibo de compra para determinar la elegibilidad de la garantía.

El comprador debe pagar todos los cargos por mano de obra y envío necesarios para reemplazar el producto cubierto por esta garantía.

Esta garantía no cubre productos que han sido dañados como resultado de un accidente, mal uso, abuso, negligencia, alteración, instalación o mantenimiento inadecuados, o no operarlo de acuerdo con las instrucciones suministradas con los productos, o fallas operativas causadas por corrosión, óxido, u otros materiales extraños en el sistema.

Las solicitudes para servicio bajo esta garantía se harán devolviendo el producto defectuoso al fabricante lo más pronto posible después del descubrimiento de cualquier presunto defecto. El fabricante posteriormente emprenderá acción correctiva tan pronto como sea razonablemente posible.

El fabricante no garantiza ni deniega específicamente ninguna garantía, sea expresa o implícita, o idoneidad para un propósito particular, que no sea la garantía contenida en el presente. Esta es la reparación exclusiva y están excluidos toda responsabilidad por cualquier y todo daño indirecto o consecuente o fueren lo que fueren los gastos

Algunos estados no permiten la exclusión o la limitación de los daños incidentales o consecuentes o limitaciones sobre la duración de la garantía implícita, por lo tanto, es posible que las exclusiones o las limitaciones antes indicadas no correspondan a usted. Esta garantía le otorga derechos legales específicos y también puede tener otros derechos que varían de un estado a otro.

Póngase en contacto con el Equipo de Servicio al Cliente llamando al 1-844-883-1872 o visite [www.HomeDepot.com](http://www.HomeDepot.com).



# Pre-instalación

## APLICACIÓN

La bomba es una bomba de agua limpia y no puede bombear aguas residuales ni agua de mar. Evite la arena, manchas de aceite u otro líquido contaminante que causará corrosión de las piezas.

## DESEMPEÑO

| SKU          | HP     | GPH de agua a pies totales de elevación |         |         |         |         | Elevación máxima |
|--------------|--------|---|---------|---------|---------|---------|------------------|
|              |        | 0 pies                                  | 20 pies | 40 pies | 60 pies | 80 pies |                  |
| 1001 222 714 | 5.5 HP | 150                                     | 130     | 105     | 90      | 20      | 90 pies          |

## ESPECIFICACIONES

| Bomba | Diámetro del puerto de succión (pulg.)       | G2 pulg. | Motor | Modelo                    | GB200-3                       |
|-------|--|----------|-------|---------------------------|-------------------------------|
|       | Diámetro del puerto de descarga (pulg.)      | G2 pulg. |       | Tipo                      | Enfriado por aire, 4 carreras |
|       | Levantamiento de la cabeza de succión (pies) | 20       |       | Desplazamiento (cc)       | 196                           |
|       | Levantamiento de la cabeza total (pies)      | 90       |       | Salida nominal (kW-r/min) | 4.2/3600                      |
|       | Capacidad de descarga (GPM)                  | 150      |       | Sistema de ignición       | Magneto del transistor        |

## HERRAMIENTAS REQUERIDAS

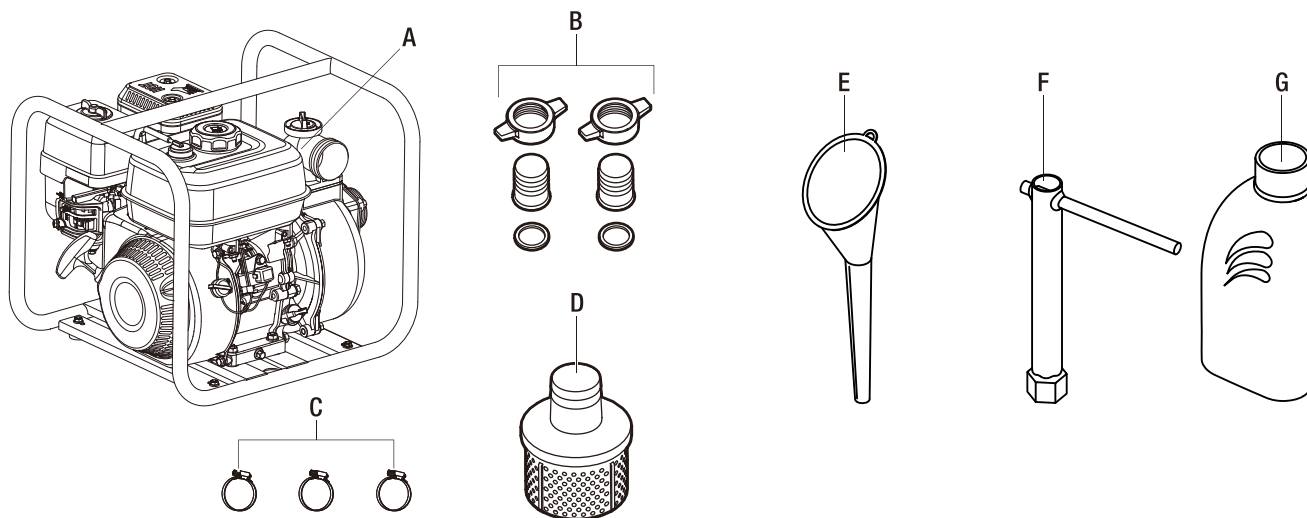


Destornillador de punta plana



Desarmador Phillips

## CONTENIDO DEL PAQUETE



| Pieza | Descripción         | Cantidad |
|-------|---------------------|----------|
| A     | Bomba               | 1        |
| B     | Ensamblaje de junta | 2 juegos |
| C     | Abrazadera          | 3        |
| D     | Filtro              | 1        |

| Pieza | Descripción      | Cantidad |
|-------|------------------|----------|
| E     | Embudo           | 1        |
| F     | Ranuras de bujía | 1        |
| G     | Bot de aceite    | 1        |

# Instalación

1. Coloque la unidad lo más cerca posible de la fuente de agua para minimizar el levantamiento de succión, obtener el mejor desempeño de bombeo y ayudar en el cebado. En la Figura 1 se muestra una instalación portátil típica.

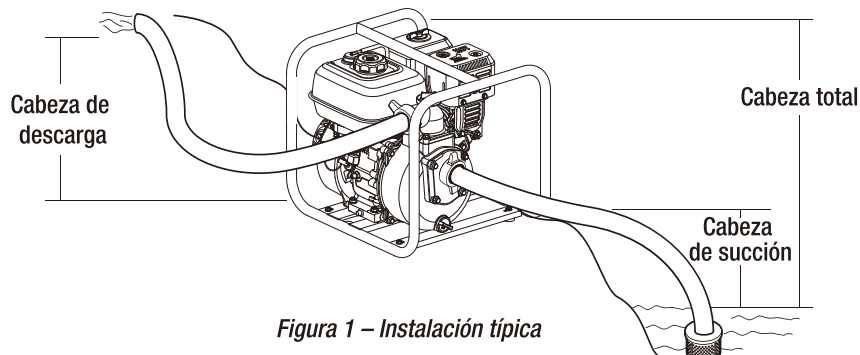


Figura 1 – Instalación típica

2. Para una instalación permanente, monte la unidad en una base que soporte el peso de la bomba y motor y también proporcione estabilidad mientras la bomba esté funcionando. Para la mayoría de instalaciones permanentes, se recomienda empernar la unidad directamente a la base.

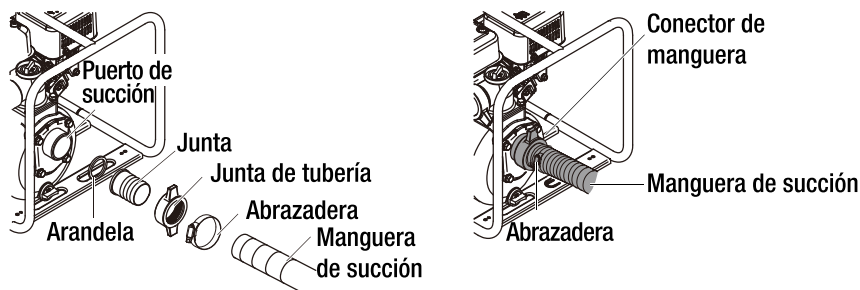


**NOTA:** El asentamiento y desplazamiento durante la operación puede hacer que la tubería coloque tensión excesiva en la bomba y puede dañar la cubierta de la bomba. Coloque la bomba sobre una superficie dura y nivelada.

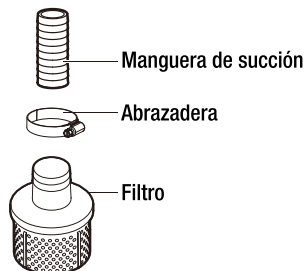
3. Conecte la manguera de succión (no incluida) en la succión de la bomba. La manguera debe tener capacidad nominal para soportar la presión de succión y evitar el colapso mientras la bomba está funcionando.
4. Haga que la manguera de succión ascienda continuamente de la fuente de agua a la bomba. Los sitios altos pueden atrapar aire y también volver difícil el cebado. Asegúrese de que las conexiones estén apretadas y que no hayan fugas de aire.



**NOTA:** La manguera de succión debe ser al menos tan grande como el puerto de succión de la bomba para que la bomba funcione adecuadamente.



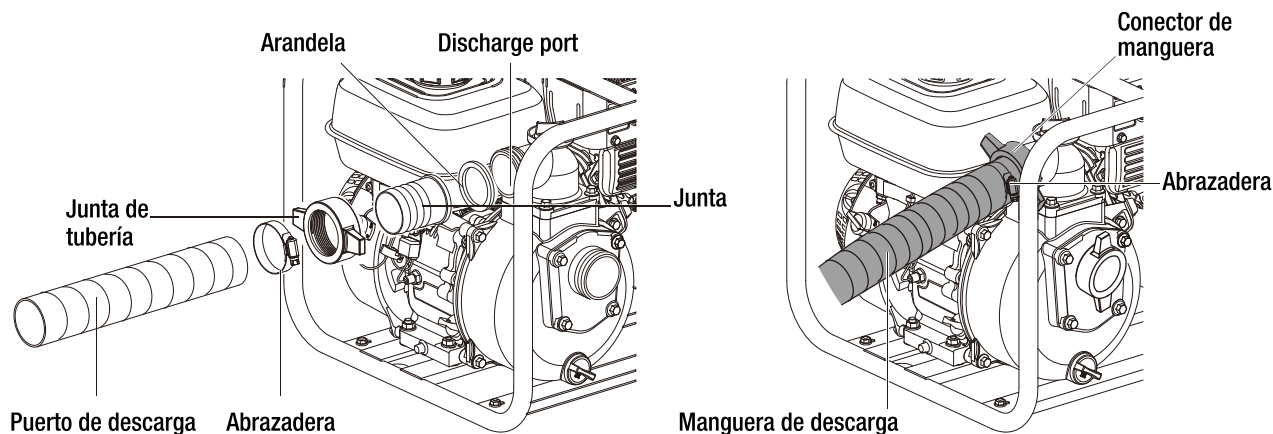
5. Instale el filtro (proporcionado con la bomba) en el otro extremo de la manguera de succión y asegúrelo con una abrazadera de manguera. El filtro ayudará a evitar que la bomba se obstruya o dañe por desechos.



**ADVERTENCIA:** Nunca opere la bomba sin tener instalado el filtro.

## Instalación (continuación)

6. Conecte la manguera de descarga (no incluida) en el puerto de descarga de la bomba. Es mejor usar una manguera corta de diámetro grande, porque esto reducirá la fricción del fluido y mejorará el desempeño de la bomba. Una manguera larga y de diámetro pequeño aumentará la fricción del fluido y reducirá la salida de la bomba.
7. Apriete con seguridad la abrazadera para evitar que la manguera de descarga se desconecte bajo alta presión.



## REQUERIMIENTOS DE INSTALACIÓN

- Use manguera reforzada para hacer la conexión de succión.
- La manguera debe ser suficientemente fuerte para no colapsar durante la operación.
- El área de la pantalla de succión debe ser al menos cuatro veces el área de la tubería de succión.
- Toda la manguera de succión debe ascender hacia el puerto de succión.
- Soporte la manguera y accesorios para reducir la tensión en la cubierta de la bomba.

La profundidad del puerto de succión debe ser al menos cuatro (4) veces el diámetro de la manguera de succión para evitar la formación de vórtices. Ejemplo: Tubería de 2 pulg. x 4 = 8 pulg. de profundidad mínima

## Funcionamiento



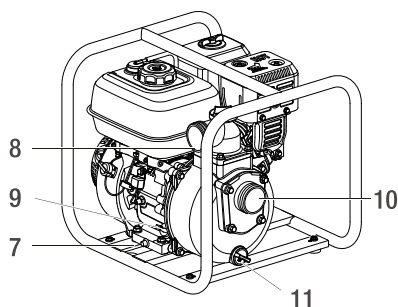
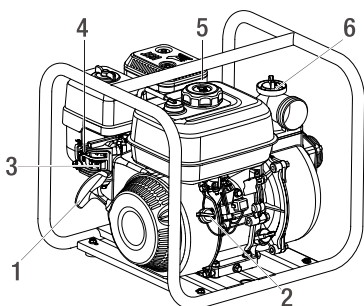
**NOTA:** No arranque ni haga funcionar la bomba seca o podrían resultar daños al sello mecánico.



**NOTA:** Agregue aceite de motor antes del arranque.

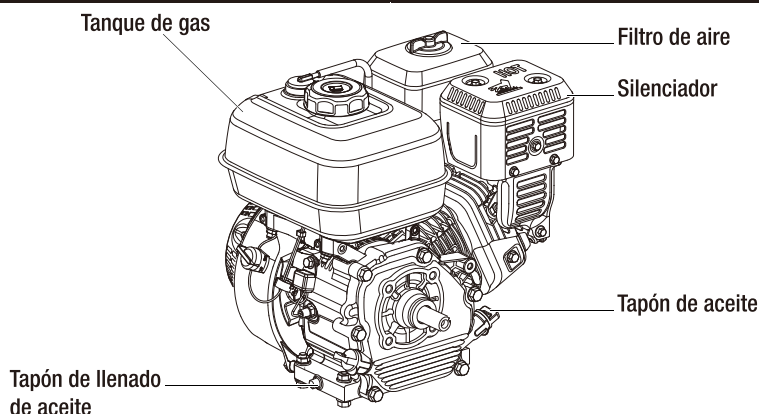
1. Una bomba de auto cebado solo necesita ser cebada manualmente en el primer arranque. Una vez cebada, bajo condiciones normales la bomba se volverá a cebar automáticamente en cada arranque posterior. Si la bomba se usa en aplicaciones portátiles y el agua se ha drenado de la cubierta de la bomba, vuelva a cebar antes del arranque.
2. Para cebar, retire el tapón de llenado de agua (6) del puerto de descarga superior y llene la bomba con agua. Vuelva a colocar el tapón y arranque la bomba. La bomba necesitará unos minutos para evacuar el aire de la línea de succión. Después de varios minutos de funcionamiento, la bomba estará completamente cebada y bombeando agua. El tiempo de cebado variará dependiendo de la longitud y diámetro de la línea de succión.
3. Consulte las secciones Antes de arrancar el motor y Operación del motor de este manual para obtener instrucciones de arranque y operación.

# Operación (continuación)



- |   |                                       |   |                                  |
|---|---------------------------------------|---|----------------------------------|
| 1. Manija de arranque retráctil         | 4. Palanca del ahogador               | 7. Tapón de drenaje de aceite           | 10. Puerto de succión            |
| 2. Interruptor de ignición              | 5. Tapón de combustible               | 8. Puerto de descarga                   | 11. Tapón de drenaje de la bomba |
| 3. Palanca de la válvula de combustible | 6. Tapón de llenado de agua de cebado | 9. Llenado de aceite y varilla de nivel |                                  |

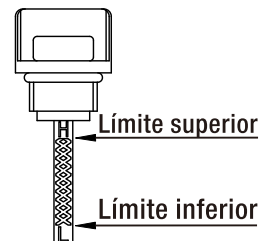
## Antes de arrancar el motor



## REVISIÓN Y LLENADO DEL ACEITE

El motor se envía sin aceite. Debe ser llenado antes de arrancar el motor.

1. Agregue aceite quitando la tapa de llenado y la varilla de nivel. Limpie cualquier exceso de aceite de la varilla de nivel.
2. Agregue aceite recomendado al límite superior de aceite.
3. Revise el nivel del aceite introduciendo la varilla de nivel limpia en la abertura de llenado. **NO LA ATORNILLE.** Extraiga la varilla de nivel e inspecciónela. Agregue aceite si es necesario.
4. Vuelva a instalar la tapa y la varilla de nivel.



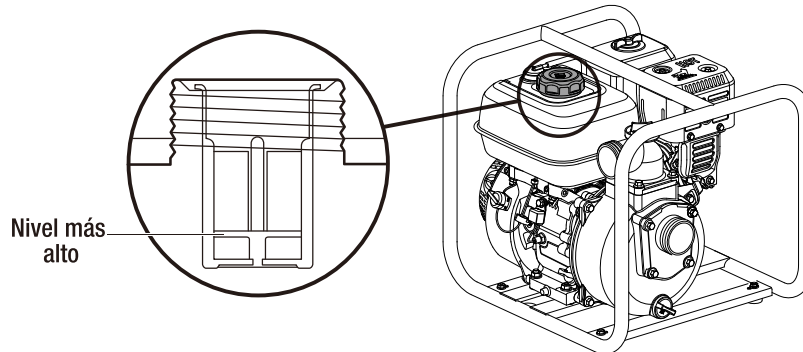
La capacidad de aceite es de 0.63 cuartos (0.6 litros). Bajo condiciones normales use aceite 10W-30. Use aceite 10W-40 si el motor va a funcionar a temperaturas mayores de 90°F (32°C). El motor tiene un sistema de monitoreo de bajo nivel de aceite. Si el nivel del aceite baja demasiado, el sistema apagará automáticamente el motor.

Marca de la escala del indicador de nivel de aceite

## Antes de arrancar el motor (continuación)

### CÓMO AGREGAR GASOLINA

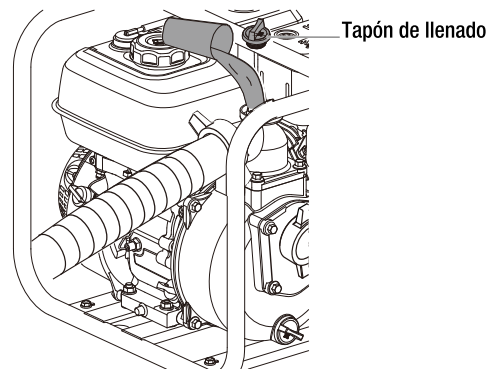
Retire la tapa de combustible y llene el tanque de combustible con gasolina fresca y limpia. Esta debe ser combustible libre de plomo que tenga un octanaje de 86 o mayor. No rebose el tanque. Limpie toda gasolina derramada antes de arrancar el motor.



## Operación del motor

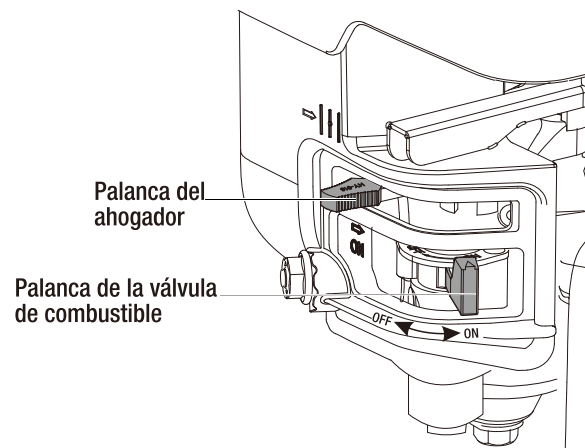
### LLENADO DE AGUA

Antes de arrancar el motor, retire el tapón de llenado de la cámara de la bomba y llene completamente la cámara de la bomba con agua. Instale de nuevo el tapón y apriételo con seguridad.



### CÓMO ABRIR LA VÁLVULA DE COMBUSTIBLE

Mueva la palanca de la válvula de combustible hacia la derecha para permitir que el combustible entre al motor.



# Operación del motor

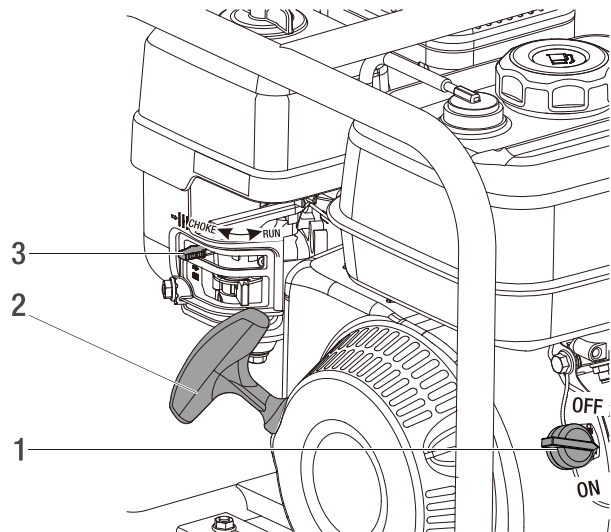
## CÓMO ENCENDER EL MOTOR

- El interruptor de encendido (1) controla el encendido. Muévela a la posición "ON" para arrancar el motor. Al arrancar un motor en frío, mueva la palanca de estrangulación (3) a CHOKE (izquierda).
- Tire de la garra de arrancador de rebobinado (2) en el arranque de rebobinado.
- A medida que el motor se calienta, mueva la palanca de estrangulación a RUN (derecha).

### NOTA :

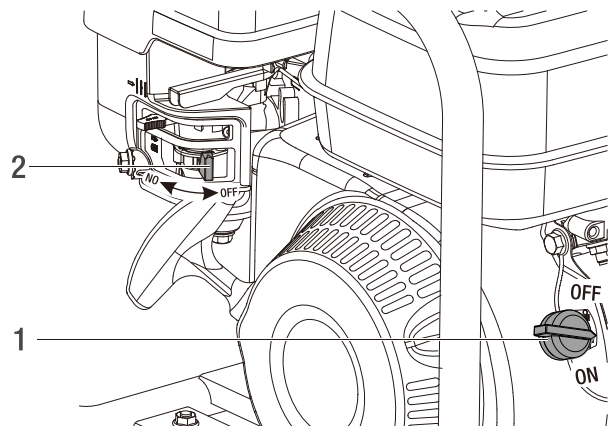


1. Antes de arrancar el motor en frío, DEBE mover la palanca de estrangulación (3) a CHOKE (izquierda). A medida que el motor se calienta, muévela hacia el RUN (derecha).
2. Si empieza con el motor cálido (el motor se ha funcionado durante un período), permanezca la palanca de estrangulación (3) en RUN (derecha).



## CÓMO PARAR EL MOTOR

- Pare el motor girando el interruptor de ignición (1) a la posición OFF.
- Mueva la palanca de la válvula de combustible (2) a la posición OFF (izquierda).



# Reparación y mantenimiento

Ajuste y mantenga el motor a gasolina estrictamente de acuerdo a los métodos e instrucciones de mantenimiento enumerados en este manual.

## MANTENIMIENTO DIARIO

La inspección y ajuste regular se debe llevar a cabo para garantizar que el motor a gasolina conserve su desempeño excelente. El mantenimiento regular también garantiza una vida de servicio prolongada. Vea la tabla a continuación para consultar el ciclo de mantenimiento regular.

| Artículo                           |                           | Ciclo de mantenimiento                                  |                       |                         |                         |                        |                         |
|------------------------------------|---------------------------|---|-----------------------|-------------------------|-------------------------|------------------------|-------------------------|
|                                    |                           | Cada vez que se use                                     | Cada 1 mes o 10 horas | Cada 3 meses o 20 horas | Cada 6 meses o 50 horas | Cada 1 año o 100 horas | Cada 2 años o 200 horas |
| Aceite lubricante                  | Revise el nivel de aceite | ■   |                       |                         |                         |                        |                         |
|                                    | Reemplazo                 |   |                       | □                       | ■                       |                        |                         |
| Filtro de aire                     | Revisar                   | ■   |                       |                         |                         |                        |                         |
|                                    | Limpieza                  |   |                       | ■ <sup>a</sup>          |                         |                        |                         |
| Bujías                             | Revisar y ajustar         |   |                       |                         | ■                       |                        |                         |
|                                    | Reemplazar                |   |                       |                         |                         |                        | ■                       |
| Extintor de chispas (pieza óptica) | Limpieza                  |   |                       |                         |                         | ■                      |                         |
| Perno, tuerca y otros sujetadores  | Revisar                   | Atornillar si es necesario                              |                       |                         |                         |                        |                         |
| Alerón de enfriamiento             | Revisar                   |   |                       |                         | ■                       |                        |                         |
| Máx. velocidad sin carga           | Revisar y ajustar         |   |                       |                         |                         | ■ <sup>b</sup>         |                         |
| Holgura de la válvula              | Revisar y ajustar         |   |                       |                         |                         | ■ <sup>b</sup>         |                         |
| Cámara de combustión               | Limpieza                  | 200 horas después                                       |                       |                         |                         |                        |                         |
| Filtro de combustible              | Revisar                   |   |                       |                         |                         | ■ <sup>b</sup>         |                         |
| Tanque de combustible              | Revisar                   |   |                       |                         |                         | ■ <sup>b</sup>         |                         |
| Tubería de combustible             | Revisar                   | Cada 2 años (cambiar cuando sea necesario) <sup>b</sup> |                       |                         |                         |                        |                         |

Notas:

■ Indica intervalo de mantenimiento de artículos especificados.

□ Indica que el mantenimiento debe llevarse a cabo después de la primera operación.

Con respecto a motores a gasolina para fines comerciales y bajo operación de largo plazo, sus intervalos de mantenimiento deben determinarse apropiadamente.

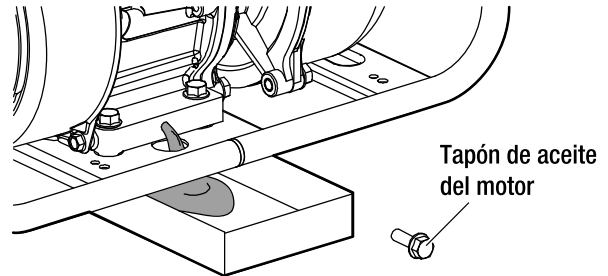
- Aumente el intervalo de mantenimiento si es usado en áreas de mucho polvo.
- El mantenimiento de estos artículos será realizado por estaciones de servicio de mantenimiento especialmente autorizadas por nuestra compañía, a menos que los usuarios tengan herramientas apropiadas y la capacidad para dar mantenimiento.

# Reparación y mantenimiento (continuación)

## REEMPLAZO DEL ACEITE LUBRICANTE

Ponga a funcionar la bomba con agua durante cinco (5) minutos y luego apáguela antes de reemplazar el aceite lubricante del motor. Esto garantiza la liberación rápida y completa del aceite lubricante.

- Compruebe que la cubierta del tanque de aceite está apretada.
- Desatornille el tapón de aceite del motor e incline el motor hacia la cubierta del cabezal del cilindro, drene el aceite en un recipiente adecuado y luego atornille el tapón de aceite del motor.
- Desatornille el tapón de llenado de aceite y la varilla de nivel, llene con el aceite lubricante recomendado a través del llenador de aceite y verifique el nivel de aceite (no más de 600 ml).



### Precauciones:

- Se recomienda reemplazar el aceite lubricante cuando no haya o haya poco combustible en el tanque de combustible en caso de que rebose combustible del tanque de combustible cuando el motor está inclinado.
- En caso de rebose del aceite lubricante, asegúrese de limpiar el aceite. Lávese las manos con agua y jabón o detergente después del contacto con aceite lubricante, y luego enjuáguese las manos con agua limpia.
- Descarte el aceite lubricante desechado y los recipientes con métodos que estén en cumplimiento de los requerimientos de protección ambiental. Se sugiere almacenar el aceite lubricante desechado en un recipiente sellado y entregarlo al contenedor de reciclado de aceite de desecho local para su tratamiento. Está prohibido tirar directamente al cubo de la basura o verterlo en agua.

## MANTENIMIENTO DEL FILTRO DE AIRE

La función del filtro de aire es filtrar las impurezas y el polvo en el aire para mezclar aire limpio con combustible en beneficio del desempeño estable del motor. El filtro de aire sucio hará que las impurezas y manchas de aceite cubran el elemento del filtro de aire, reduzca la capacidad de aire requerida por la combustión del motor a gasolina, y cause la desproporción de mezcla de gas, combustión anormal y atenuación del desempeño del motor.



**PELIGRO:** No use gasolina ni agente limpiador con alto punto de ignición para limpiar el elemento filtrante del filtro de aire, ya que puede ocurrir una explosión o incendio.

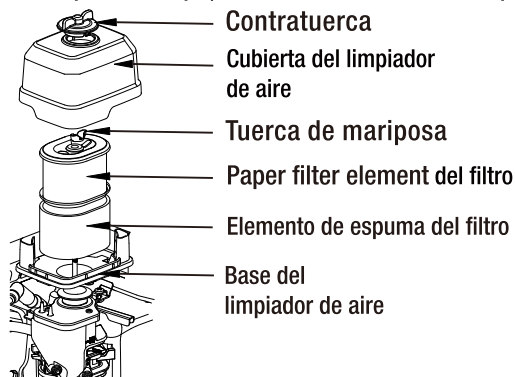


**ADVERTENCIA:** Algunas impurezas sólidas de alta dureza directamente en la cámara de combustión del motor causarán daño fatal irrecuperable al motor. Por tanto, la frecuencia de mantenimiento se aumentará si el motor es usado en un lugar con alto contenido de polvo.



**PRECAUCIÓN:** Está estrictamente prohibido operar el motor a gasolina en el caso de no instalar el elemento filtrante del filtro de aire ya que puede acelerar el desgaste y dañar el motor a gasolina.

- El filtro de aire del motor tiene una estructura de doble elemento (espuma y papel). Para el fin de inspección, retire la carcasa del filtro de aire y saque el elemento del filtro. El elemento dañado del filtro deberá reemplazarse debidamente y reemplazarse generalmente una vez durante el mantenimiento.
- **Limpieza del elemento de espuma del filtro:** Lave el elemento de espuma del filtro con agente limpiador, enjuáguelo con agua limpia después de la limpieza y aire seco antes de la operación.
- **Limpieza del elemento de papel del filtro:** Golpee ligeramente el elemento de papel del filtro varias veces, y sople aire desde el interior al exterior con aire comprimido (que no supere las 30 psi). Nunca use artículos como cepillos para limpiar el elemento de papel del filtro.



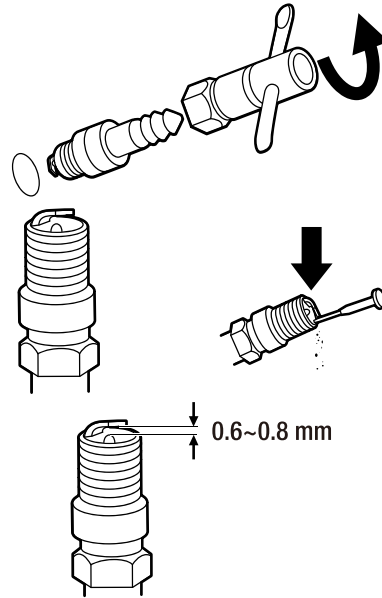


# Reparación y mantenimiento (continuación)

## MANTENIMIENTO DE LAS BUJÍAS (MODELO F6RTC)

Para garantizar el funcionamiento normal del motor, asegúrese de que las bujías estén siempre limpias y ajustadas adecuadamente como lo muestran estos pasos:

1. Retire la bujía girándola hacia la izquierda
2. Retire con suavidad cualquier depósito de carbón de la bujía.
3. Asegúrese de que la holgura esté entre 0.6~0.8mm.

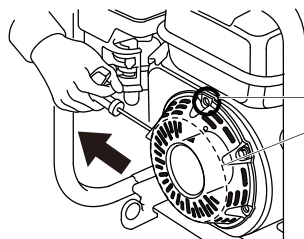


**ADVERTENCIA:** Las bujías deben estar apretadas con seguridad en el motor. De lo contrario, la cámara de combustión no estará hermética durante la operación. La fuga de aire comprimido reducirá la potencia del motor y las fugas serias conducirán a fallo del motor.

## MANTENIMIENTO ANTES DE UN APAGADO DE LARGO PLAZO

Si el motor no se va a usar durante un periodo largo de tiempo, realice los siguientes pasos de mantenimiento en el motor antes de apagarlo:

1. Desatornille el interruptor del combustible, desatornille el perno del drenaje de aceite en el fondo del carburador, y apriete el perno después de la liberación completa de combustible en el tanque de combustible y carburador.
2. Desatornille el perno del drenaje de aceite en el fondo del cárter para liberar completamente el aceite lubricante en el cárter y luego apriete el perno del drenaje de aceite.
3. Realice los siguientes pasos de mantenimiento en el cilindro del motor:
  - Retire la bujía.
  - Vierta una cucharadita (5cc) de aceite de motor limpio en el cilindro.
  - Hale la manija de arranque varias veces para distribuir el aceite en el cilindro.
  - Vuelva a colocar la bujía.
  - Hale la manija de arranque lentamente hasta que se sienta resistencia y la ranura en la polea de arranque se alinee con el agujero en la parte superior de la cubierta del arranque retráctil. Esto cerrará las válvulas para que la humedad no ingrese en el cilindro del motor. Regrese la manija de arranque suavemente.



Alinee la ranura en la polea con el agujero en la parte superior de la cubierta.

4. Limpie las manchas de aceite y el polvo en la superficie externa con un paño de limpieza y retire la suciedad entre los alerones de enfriamiento para mantener limpio el motor a gasolina. Después de la limpieza, guarde el motor en un lugar limpio, seco y ventilado.

# Resolución de fallas

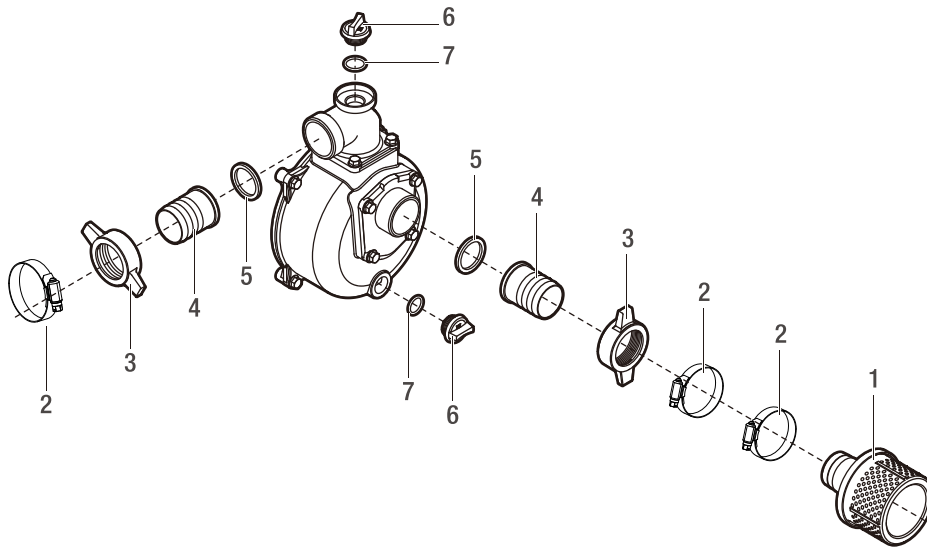


**PRECAUCIÓN:** No desmonte esta bomba sin el permiso del fabricante. La garantía no cubre desmontaje no autorizado.

Si las acciones correctivas en esta tabla no eliminan las fallas o las fallas encontradas no se mencionan en esta tabla, comuníquese con Servicio al cliente.

| Problema   | Causa probable  | Solución   |
|--|---|--|
| El motor arranca con dificultad, no arranca o no produce suficiente potencia.        | El combustible no es suficiente.  | Rellene con combustible recomendado.   |
|  | El interruptor On/off está encendido.   | El interruptor On/off está en la posición "On".  |
|  | El ahogador no está cerrado.  | Cierre el ahogador.  |
|  | Demasiado depósito de carbón en la bujía.   | Elimine el depósito de carbón.   |
|  | La separación de la bujía no es la correcta.  | Ajuste la separación de la bujía al rango especificado.                                  |
|  | La bujía está dañada.   | Cambie la bujía.   |
|  | Uso de aceite de motor de mala calidad o el aceite del motor se deteriora.                            | Cambie el aceite del motor.  |
|  | Sobrecarga o sobrecalentamiento   | Revise el estado de funcionamiento.  |
|  | El aceite del motor es insuficiente.  | Agregue un volumen apropiado de aceite de motor.   |
| La bomba no está bombeando agua o no hay suficiente presión cuando está funcionando. | Hay bloqueo en el filtro.   | Elimine el bloqueo.  |
|  | Hay cebado inadecuado en la bomba.  | Desatornille el tapón de llenado de agua y llene con agua limpia.                        |
|  | Bloqueo, reducción, fuga de la tubería de agua, o tubería demasiado larga o de diámetro insuficiente. | Revise la tubería de agua.   |
|  | La succión de agua no se hunde en el agua.  | Ajuste la posición de la succión de agua, para que esté completamente sumergida en agua. |
|  | La junta de la tubería de succión de agua tiene fugas.  | Revise la junta de la tubería de agua.   |
|  | La altura de instalación de la bomba de agua es demasiado alta.                                       | Disminuya la altura de instalación de la bomba de agua.                                  |

# Piezas de servicio



| Pieza | Número de pieza | Nombre           | Cantidad |
|-------|-----------------|------------------|----------|
| 1     | 100022246       | Filtro           | 1        |
| 2     | 100022225       | Abrazadera       | 3        |
| 3     | 100030202       | Junta de tubería | 2        |
| 4     | 100022201-0001  | Junta            | 2        |

| Pieza | Número de pieza | Nombre   | Cantidad |
|-------|-----------------|----------|----------|
| 5     | 100022187       | Arandela | 2        |
| 6     | 100021938       | Clavija  | 2        |
| 7     | 100021965       | Anillo O | 2        |



¿Tiene preguntas, problemas, o faltan piezas? Antes de regresar a la tienda,  
llame a Servicio al Cliente de Everbilt  
de lunes a viernes de 8 a.m. a 6 p.m., hora local del Este

**1-844-883-1872**

**HOMEDEPOT.COM**

Conserve este manual para uso futuro.