

ELKAY® SPECIFICATIONS

Gourmet® Undermount Single Bowl Sink with Apron Model ELUHF2520

GENERAL

Highest quality sink, with integral apron, formed of #18 (1.2mm) gauge, type 304 (18-8) nickel bearing stainless steel. Undermount.

DESIGN FEATURES

Bowl Depth: 7-7/8" (200mm).

Apron Height: 8" (203mm).

Coved Corners: 1-3/4" (44mm).

Finish: Exposed surfaces are hand blended to a Lustrous Highlighted Satin finish.

Underside: Underside of sink is fully protected by heavy duty Sound Guard™ undercoating to reduce condensation and dampen sound.

OTHER

Drain Opening: 3-1/2" (89mm).

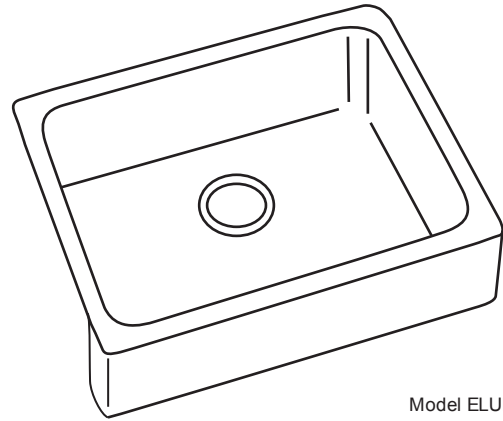
NOTE: All Elkay undermount sinks are designed to affix to the underside of any solid surface countertop.

Installation: See illustrated profile below.

Sink complies with ASME A112.19.3-2008 / CSA B45.4-08



These sinks are listed by the International Association of Plumbing and Mechanical Officials as meeting the requirements of the Uniform Plumbing Code.



Model ELUHF2520

OPTIONAL ACCESSORIES

Bottom Grid: LKWOBG2115SS

Cutting Board: CB1516

Drain: LK99

Rinsing Basket: LKW RB2115SS, LKWERBSS

Utensil Caddy for Rinsing Basket: LKWUCSS

Mounting Clip: LKUC LIP8



SINK PACKAGE(S)

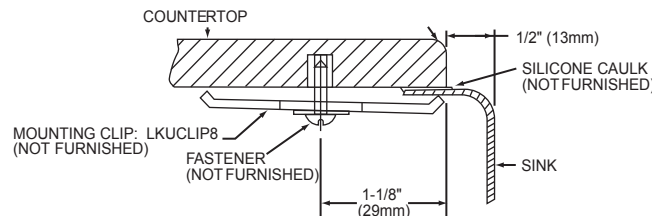
MODEL	SINK	BOTTOM GRID	QTY	DRAIN	QTY
ELUHF2520DBG	ELUHF2520	LKWOBG2115SS	1	LK99	1

SINK DIMENSIONS*

Model Number	Overall		Inside Bowl			Minimum Cabinet Size
	L	W	L	W	D	
ELUHF2520	25 (635mm)	20 1/2 (521mm)	21 (533mm)	15 3/4 (400mm)	7 7/8 (200mm)	30 (762mm)

*Length is left to right. Width is front to back.

**Installation Profile of
ELUHF Single Bowl Model**
Elkay recommends ELUHF sinks are installed with a 1/2" (13mm) reveal as shown.



SEE NEXT PAGE FOR PRODUCT DIMENSIONS.

In keeping with our policy of continuing product improvement, Elkay reserves the right to change product specifications without notice. Please visit elkayusa.com for most current version of Elkay product specification sheets.

This specification describes an Elkay product with design, quality and functional benefits to the user. When making a comparison of other producers' offerings, be certain these features are not overlooked.

Elkay

elkayusa.com

2222 Camden Court
Oak Brook, IL 60523

Printed in U.S.A.
©2010 Elkay

(Rev. 01/10) 1-143D

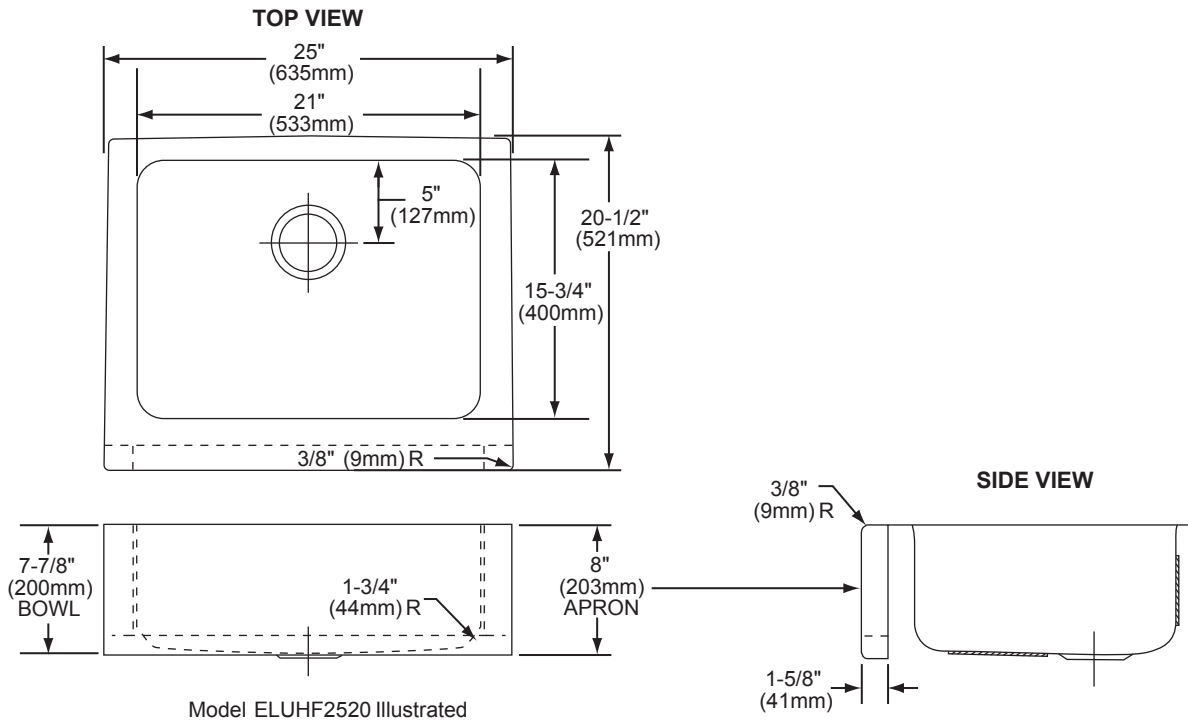
ELKAY® SPECIFICATIONS

Gourmet® Undermount Single Bowl Sink with Apron Model ELUHF2520

SINK DIMENSIONS*

Model Number	Overall		Inside Bowl			Minimum Cabinet Size
	L	W	L	W	D	
ELUHF2520	25 (635mm)	20 ¹ / ₂ (521mm)	21 (533mm)	15 ³ / ₄ (400mm)	7 ⁷ / ₈ (200mm)	30 (762mm)

*Length is left to right. Width is front to back.



In keeping with our policy of continuing product improvement, Elkay reserves the right to change product specifications without notice. Please visit elkayusa.com for most current version of Elkay product specification sheets.

This specification describes an Elkay product with design, quality and functional benefits to the user. When making a comparison of other producers' offerings, be certain these features are not overlooked.