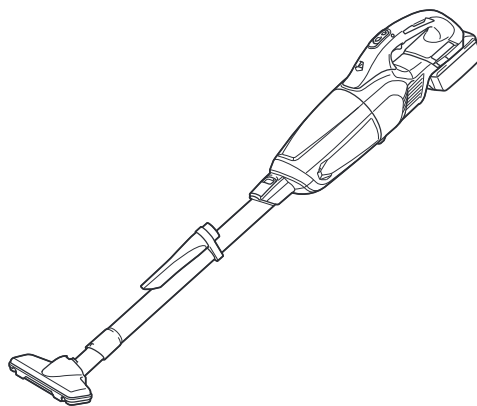


INSTRUCTION MANUAL  
MANUAL DE INSTRUCCIONES



# Cordless Cleaner Aspiradora Inalámbrica

**XLC03**



**IMPORTANT:** Read Before Using.

**IMPORTANTE:** Lea antes de usar.

## SPECIFICATIONS

Model:	XLC03
Capacity	750 mL
Continuous use (with battery BL1830B)	Approx. 20 min
Overall length	1,016 mm (40")
Rated voltage	D.C. 18 V
Net weight	1.2 - 1.6 kg (2.7 - 3.5 lbs)

- Due to our continuing program of research and development, the specifications herein are subject to change without notice.
- Specifications may differ from country to country.
- The weight does not include accessories but battery cartridge(s). The lightest and heaviest combination weight of the appliance and battery cartridge(s) are shown in the table.

## Applicable battery cartridge and charger

Battery cartridge	BL1815N / BL1820B / BL1830 / BL1830B / BL1840B / BL1850B / BL1860B
Charger	DC18RC / DC18RD / DC18RE / DC18SD / DC18SE / DC18SF

- Some of the battery cartridges and chargers listed above may not be available depending on your region of residence.

**⚠WARNING:** Only use the battery cartridges and chargers listed above. Use of any other battery cartridges and chargers may cause injury and/or fire.

## SAFETY WARNINGS

## IMPORTANT SAFETY INSTRUCTIONS

When using an electrical appliance, basic precautions should always be followed, including the following:

**READ ALL INSTRUCTIONS BEFORE USING THIS APPLIANCE.**

## WARNING

To reduce the risk of fire, electric shock or injury:

1. Do not leave appliance when battery fitted. Remove battery from appliance when not in use and before servicing.
2. Do not use on wet surfaces. Do not expose to rain. Store indoors.
3. Do not allow to be used as a toy. Close attention is necessary when used by or near children.
4. Use only as described in this manual. Use only manufacturer's recommended attachments.
5. Do not use with damaged battery. If appliance is not working as it should, has been dropped, damaged, left outdoors, or dropped into water, return it to a service center.
6. Do not handle appliance with wet hands.
7. Do not put any object into openings. Do not use with any opening blocked; keep free of dust, lint, hair, and anything that

- may reduce air flow.
8. **Keep hair, loose clothing, fingers, and all parts of body away from openings and moving parts.**
  9. **Turn off all controls before removing the battery cartridge.**
  10. **Use extra care when cleaning on stairs.**
  11. **Do not use to pick up flammable or combustible liquids, such as gasoline, or use in areas where they may be present.**
  12. **Do not pick up anything that is burning or smoking, such as cigarettes, matches, or hot ashes.**
  13. **Do not use without dust bag and/or filters in place.**
  14. **Do not charge the battery outdoors.**
  15. **Prevent unintentional starting. Ensure the switch is in the off-position before connecting to battery pack, picking up or carrying the appliance.** Carrying the appliance with your finger on the switch or energizing appliance that have the switch on invites accidents.
  16. **Disconnect the battery pack from the appliance before making any adjustments, changing accessories, or storing appliance.** Such preventive safety measures reduce the risk of starting the appliance accidentally.
  17. **Recharge only with the charger specified by the manufacturer.** A charger that is suitable for one type of battery pack may create a risk of fire when used with another battery pack.
  18. **Use appliances only with specifically designated battery packs.** Use of any other battery packs may create a risk of injury and fire.
  19. **When battery pack is not in use, keep it away from other metal objects, like paper clips, coins, keys, nails, screws or other small metal objects, that can make a connection from one terminal to another.** Shorting the battery terminals together may cause burns or a fire.
  20. **Under abusive conditions, liquid may be ejected from the battery; avoid contact. If contact accidentally occurs, flush with water. If liquid contacts eyes, additionally seek medical help.** Liquid ejected from the battery may cause irritation or burns.
  21. **Do not use a battery pack or appliance that is damaged or modified. Damaged or modified batteries may exhibit unpredictable behaviour resulting in fire, explosion or risk of injury.**
  22. **Do not expose a battery pack or appliance to fire or excessive temperature. Exposure to fire or temperature above 130 °C may cause explosion.**
  23. **Follow all charging instructions and do not charge the battery pack or appliance outside of the temperature range specified in the instructions.** Charging improperly or at temperatures outside of the specified range may damage the battery and increase the risk of fire.
  24. **Have servicing performed by a qualified repair person using only identical replacement parts.** This will ensure that the safety of the product is maintained.
  25. **Do not modify or attempt to repair the appliance or the battery pack except as indicated in the instructions for use and care.**

## SAVE THESE INSTRUCTIONS.

### ADDITIONAL SAFETY RULES

This appliance is intended for household use.

1. **Read this instruction manual and the charger instruction manual carefully before use.**
2. **Do not vacuum the following:**
  - **Flammable liquid (kerosene, gasoline, solvents such as benzene, thinner, etc.)**
  - **Hot substances that are burning or smoking (cigarettes, matches, incense sticks, candles, hot ashes), sparks and metal dust generated by cutting**

or grinding metal, etc.

- Flammable material (toner, paint, spray, etc.)
- Foam like carpet cleaning agent, etc. (they may cause explosion or fire)
- Explosive or pyrophoric substances (nitroglycerin, aluminum, magnesium, titanium, zinc, red phosphorus, yellow phosphorus, celluloid, etc. and their dust, gas or steam)
- Sharp objects (glass, cutlery, wood splinter, metal, stone, nail, razor, push pin, etc.)
- Solidifying and conductive fine powder (metal or carbon powder)
- Dehumidifier
- Large amount of powder (flour, fire extinguisher powder, etc.)
- Substances that cause toxic symptoms
- Aggressive chemicals (acid, leach, etc.)
- Liquid or damp garbage, including vomit and excreta
- Asbestos
- Pesticides

Such action may cause fire, injury and/or property damage.


To reduce your exposure to these chemicals, always wear approved respiratory protection such as dust masks that are specially designed to filter out microscopic particles. Direct the exhaust air away from your face and body.

3. Stop operation immediately if you notice anything abnormal.
4. If you drop or strike the cleaner, check it carefully for cracks or damage before operation.
5. Do not bring close to stoves or other heat sources.
6. Do not block the intake hole or vent holes.

## SAVE THESE INSTRUCTIONS.

### Symbols

The followings show the symbols used for tool.

v	volts
	direct current

## Important safety instructions for battery cartridge

1. Before using battery cartridge, read all instructions and cautionary markings on (1) battery charger, (2) battery, and (3) product using battery.
2. Do not disassemble battery cartridge.
3. If operating time has become excessively shorter, stop operating immediately. It may result in a risk of overheating, possible burns and even an explosion.
4. If electrolyte gets into your eyes, rinse them out with clear water and seek medical attention right away. It may result in loss of your eyesight.
5. Do not short the battery cartridge:
  - (1) Do not touch the terminals with any conductive material.
  - (2) Avoid storing battery cartridge in a container with other metal objects such as nails, coins, etc.
  - (3) Do not expose battery cartridge to water or rain.

A battery short can cause a large current flow, overheating, possible burns and even a breakdown.
6. Do not store the tool and battery cartridge in locations where the temperature may reach or exceed 50 °C (122 °F).
7. Do not incinerate the battery cartridge even if it is severely damaged or is completely worn out. The battery cartridge can explode in a fire.

8. Be careful not to drop or strike battery.
9. Do not use a damaged battery.
10. The contained lithium-ion batteries are subject to the Dangerous Goods Legislation requirements. For commercial transports e.g. by third parties, forwarding agents, special requirement on packaging and labeling must be observed. For preparation of the item being shipped, consulting an expert for hazardous material is required. Please also observe possibly more detailed national regulations. Tape or mask off open contacts and pack up the battery in such a manner that it cannot move around in the packaging.
11. Follow your local regulations relating to disposal of battery.
12. Use the batteries only with the products specified by Makita. Installing the batteries to non-compliant products may result in a fire, excessive heat, explosion, or leak of electrolyte.

## SAVE THESE INSTRUCTIONS.

**CAUTION:** Only use genuine Makita batteries. Use of non-genuine Makita batteries, or batteries that have been altered, may result in the battery bursting causing fires, personal injury and damage. It will also void the Makita warranty for the Makita tool and charger.

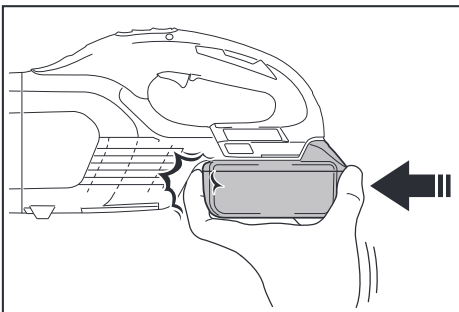
### Tips for maintaining maximum battery life

1. Charge the battery cartridge before completely discharged. Always stop tool operation and charge the battery cartridge when you notice less tool power.
2. Never recharge a fully charged battery cartridge. Overcharging shortens the battery service life.
3. Charge the battery cartridge with room temperature at 10 °C - 40 °C (50 °F - 104 °F). Let a hot battery cartridge cool down before charging it.
4. Charge the battery cartridge if you do not use it for a long period (more than six months).

## FUNCTIONAL DESCRIPTION

**CAUTION:** Always be sure that the tool is switched off and the battery cartridge is removed before adjusting or checking function on the tool.

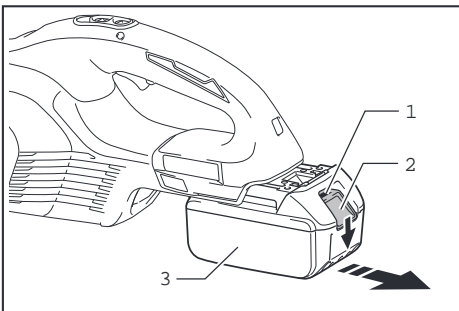
**CAUTION:** Take care not to trap finger(s) between cleaner and battery as shown in diagram when loading battery. Trapping finger(s) may cause injury.



### Installing or removing battery cartridge

**CAUTION:** Always switch off the tool before installing or removing of the battery cartridge.

**CAUTION:** Hold the tool and the battery cartridge firmly when installing or removing battery cartridge. Failure to hold the tool and the battery cartridge firmly may cause them to slip off your hands and result in damage to the tool and battery cartridge and a personal injury.



► 1. Red indicator 2. Button 3. Battery cartridge

To remove the battery cartridge, slide it from the tool while sliding the button on the front of the cartridge.

To install the battery cartridge, align the tongue on the battery cartridge with the groove in the housing and slip it into place. Insert it all the way until it locks in place with a little click. If you can see the red indicator on the upper side of the button, it is not locked completely.

**CAUTION:** Always install the battery cartridge fully until the red indicator cannot be seen. If not, it may accidentally fall out of the tool, causing injury to you or someone around you.

**CAUTION:** Do not install the battery cartridge forcibly. If the cartridge does not slide in easily, it is not being inserted correctly.

### Battery protection system

The tool is equipped with a tool/battery protection system. This system automatically cuts off power to the motor to extend tool and battery life. The tool will automatically stop during operation if the tool or battery is placed under one of the following conditions.

#### Overloaded:

The tool is operated in a manner that causes it to draw an abnormally high current.

In this situation, turn the tool off and stop the application that caused the tool to become overloaded. Then turn the tool on to restart.

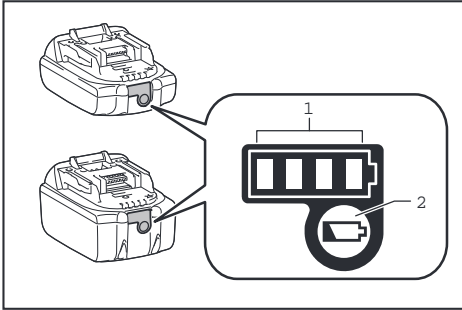
If the tool does not start, the battery is overheated. In this situation, let the battery cool before turning the tool on again.

#### Low battery voltage:

The remaining battery capacity is too low and the tool will not operate. In this situation, remove and recharge the battery.

### Indicating the remaining battery capacity

Only for battery cartridges with the indicator



► 1. Indicator lamps 2. Check button

Press the check button on the battery cartridge to indicate the remaining battery capacity. The indicator lamps light up for a few seconds.

Indicator lamps			Remaining capacity
Lighted	Off	Blinking	
■ ■ ■ ■			75% to 100%
■ ■ ■ □			50% to 75%
■ ■ □ □			25% to 50%

Indicator lamps			Remaining capacity
Lighted	Off	Blinking	
■ □ □ □			0% to 25%
■ □ □ □			Charge the battery.
■ ■ □ □			The battery may have malfunctioned.
□ □ ■ ■			

**NOTE:** Depending on the conditions of use and the ambient temperature, the indication may differ slightly from the actual capacity.

### Switch action

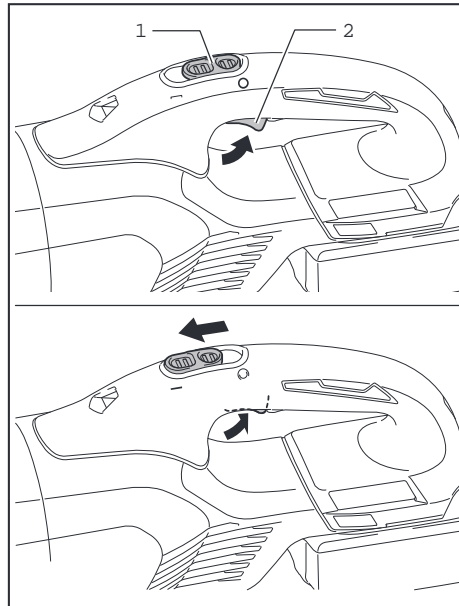
**CAUTION:** Before installing the battery cartridge into the tool, set the slide switch to "O" side and check that the switch trigger actuates properly and returns to the "OFF" position when released.

#### When the slide switch is set to "O" side:

To start the tool, simply pull the switch trigger. Release the switch trigger to stop.

#### When the slide switch is set to "I" side:

While the slide switch is set to "I" side, the switch trigger is pulled automatically and the cleaner continues actuating. To stop the cleaner, set the slide switch to "O" side and release the switch trigger.

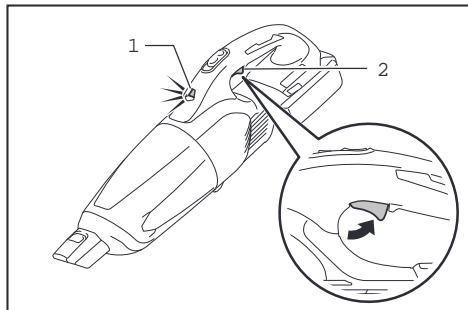


► 1. Slide switch 2. Switch trigger

## Lighting up the lamp

**CAUTION:** Do not look in the light or see the source of light directly.

To turn on the lamp, pull the switch trigger. During the tool actuating, the lamp turns on. Release the switch to turn off the lamp. When the remaining battery capacity gets low, the lamp starts blinking.



► 1. Lamp 2. Switch trigger

**NOTE:** The timing, at which the lamp starts blinking, depends on the temperature at work place and the battery cartridge conditions.

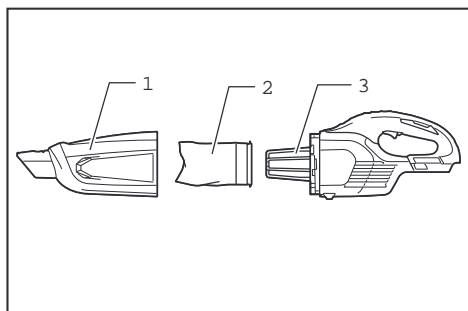
## ASSEMBLY

**CAUTION:** Always be sure that the tool is switched off and the battery cartridge is removed before carrying out any work on the tool.

### Parts description

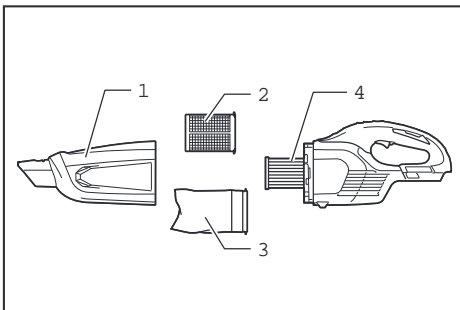
*Optional accessory*

### High performance filter and stay and sponge filter



► 1. Capsule 2. High performance filter 3. Stay and sponge filter

## Prefilter or high performance filter and HEPA filter

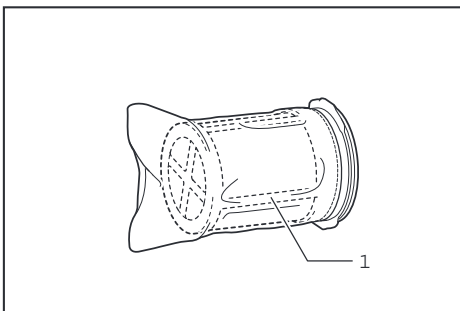


► 1. Capsule 2. Prefilter 3. High performance filter 4. HEPA filter

**NOTICE:** Do not use the high performance filter with the filter (optional accessory). The high performance filter may become unremovable from the cleaner.

**NOTE:** When using the optional prefilter and filter with the HEPA filter, use only the prefilter over the HEPA filter. If you use prefilter and filter with the HEPA filter at the same time, the suction power may be reduced.

**NOTE:** When using the HEPA filter with the high performance filter, use the high performance filter with the stay.



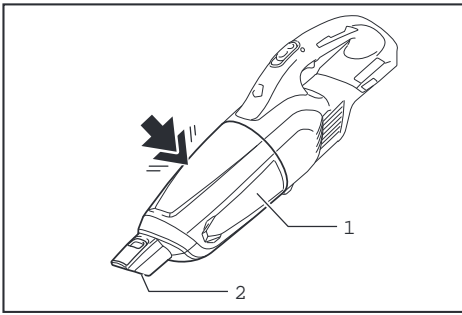
► 1. Stay

## Disposing of dust

**CAUTION:** Empty the cleaner before it becomes too full, or the suction force weakens.

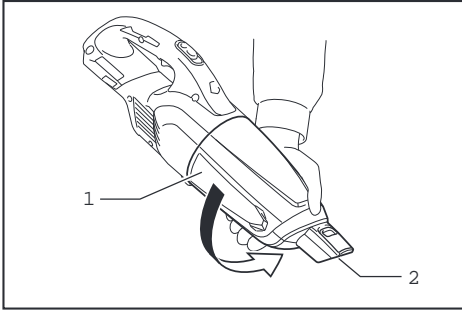
**CAUTION:** Be sure to empty the inside of the cleaner itself of dust. Failure to do so may cause the filter to be clogged or the motor to be damaged.

In order to drop dust sticking on the filter in the capsule, tap the capsule 4 or 5 times with your hand.



► 1. Capsule 2. Suction inlet

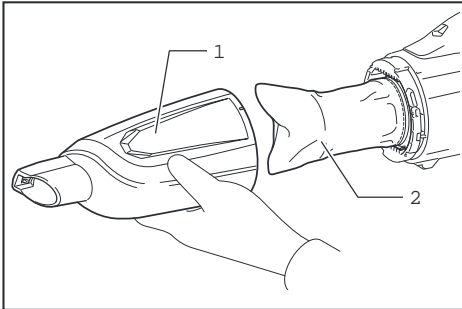
Point suction inlet downwards, turn capsule in direction of arrow in diagram, and disconnect capsule slowly and straight.



► 1. Capsule 2. Suction inlet

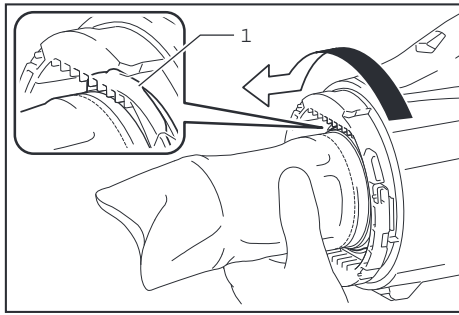
**NOTE:** Dust may spill out when capsule is opened, so be sure to set a garbage bag beneath capsule.

Remove accumulated dust from the inside of capsule and high performance filter.



► 1. Capsule 2. High performance filter

Twist high performance filter in direction of arrow to unfasten securing lip from cleaner unit and then pull off the filter.



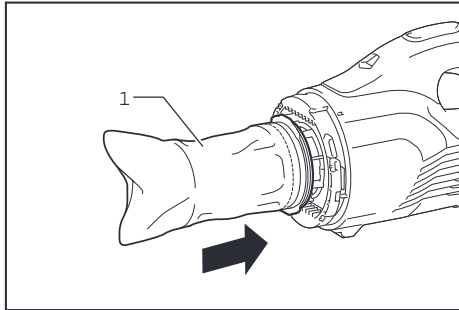
► 1. Securing lip

**NOTE:** When using the prefilter, also follow the procedure above.

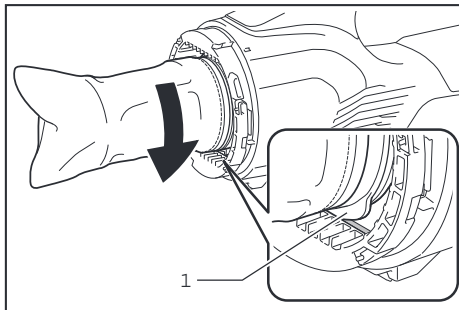
Clean out the fine dust and lightly tap to dislodge dust from high performance filter.

### Reassembly

Connect high performance filter. At this time, make sure to twist high performance filter so that securing lip is firmly locked into the cleaner unit.



► 1. High performance filter

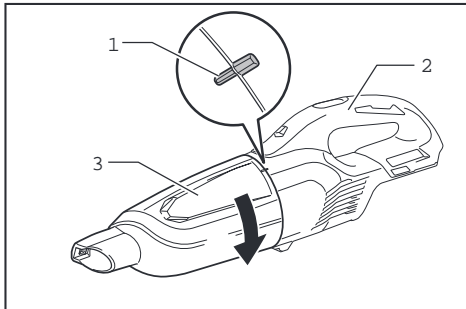


► 1. Securing lip



**NOTICE:** Always be sure to check that high performance filter is loaded correctly prior to using cleaner. If they are not loaded correctly, dust will get into the motor housing, and cause motor failure. If the problem as described later occurs, high performance filter is not loaded correctly. Reload them correctly to rectify problem.

Attach the capsule. Align the mark on capsule with the mark on the handle and then firmly twist capsule in the direction of arrow until it is secured.

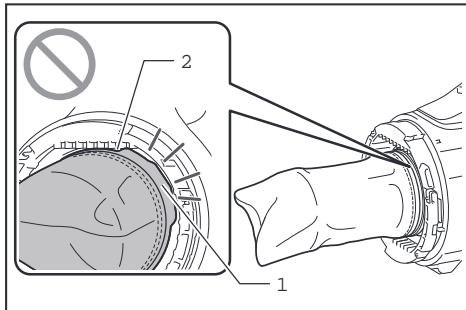


► 1. Mark 2. Handle 3. Capsule

**NOTE:** Always remove dust ahead of time, as suction power will be reduced if there is too much dust in cleaner.

### Problem Examples

The securing lip of high performance filter is not firmly locked into groove of cleaner housing.



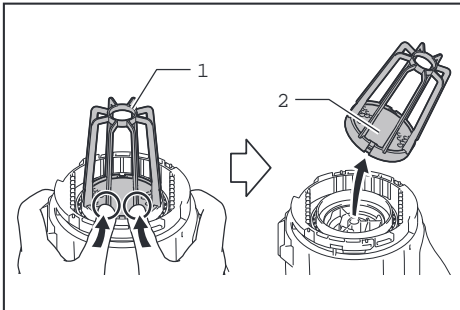
► 1. Securing lip 2. Groove of cleaner housing

## Installing or removing stay / HEPA filter

### Optional accessory

#### For the stay and sponge filter

To remove the stay, push up the bottom part of pillars of the stay with your fingers and release its groove from the protrusion on the cleaner. After that, remove the sponge filter.

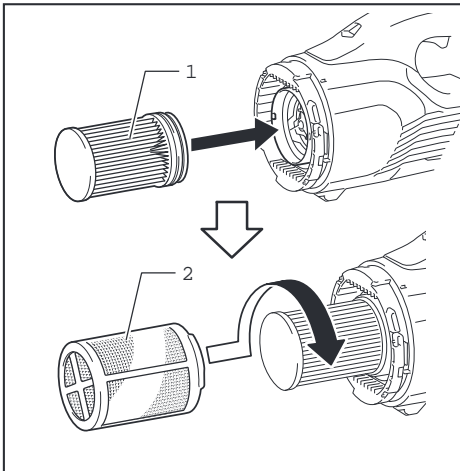


► 1. Stay 2. Sponge filter

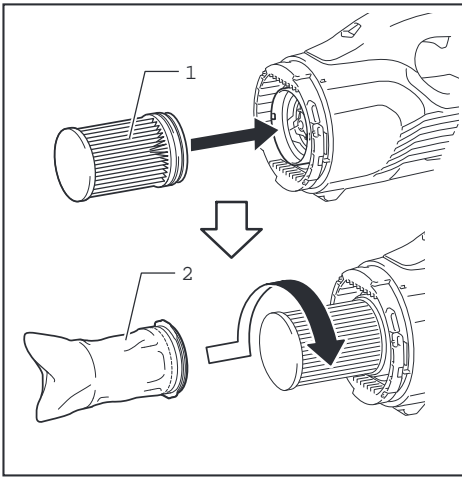
To install, align the grooves on the stay with the protrusion on the cleaner and push until it clicks. Insert the sponge filter between the pillars and set it in the original position.

#### For the HEPA filter

When installing the HEPA filter, fit the groove of the HEPA filter with the protrusion on the cleaner. Then, put the prefilter or the high performance filter on the HEPA filter and twist it to secure. To remove, follow the installation procedure in reverse.



► 1. HEPA filter 2. Prefilter



► 1. HEPA filter 2. High performance filter

## OPERATION

**CAUTION:** Do not move your face close to the air vent when operating the cleaner. If foreign objects are blown into eyes, it may result in personal injury.

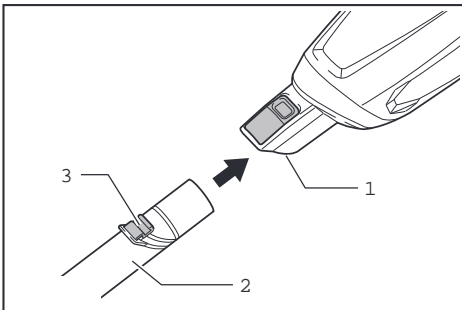
### Installing or removing the cleaner attachment

**CAUTION:** After installing attachment, check if it is securely installed. If the attachment is installed imperfectly, it may come off and cause personal injury.

**CAUTION:** Be careful not to hit your hand on the wall etc. when removing the attachment.

### When using the extension wand with lock function

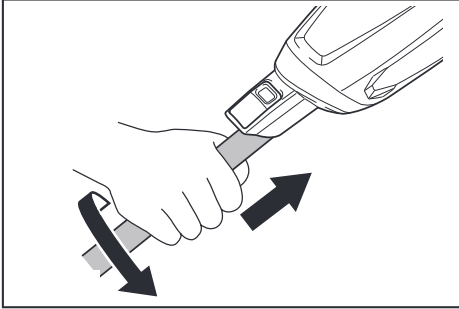
To install the extension wand, insert it to the suction inlet of the cleaner until it clicks. Make sure that the extension wand is locked.



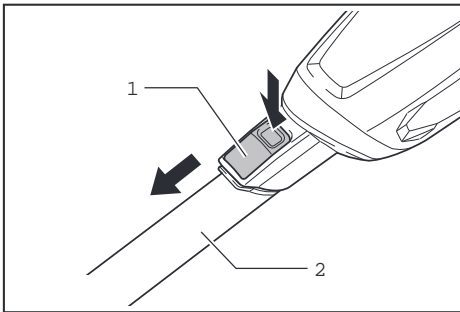
► 1. Suction inlet 2. Extension wand 3. Hook

**NOTE:** When installing the extension wand, be sure to align the release button with the hook on the extension wand. If they are not aligned, the wand will not be locked and may come off from the cleaner.

**NOTE:** When installing the extension wand without lock function (optional accessory), twist and insert it to the suction inlet of the cleaner in direction of the arrow. To disconnect, twist and remove it also in direction of the arrow.



To remove, pull the extension wand while pushing the release button.

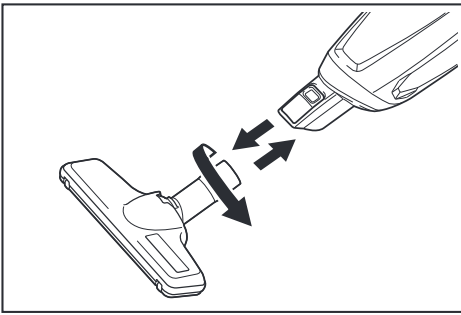


► 1. Release button 2. Extension wand

### When using the nozzle

**CAUTION:** To connect the nozzle, twist and insert it in direction of the arrow to secure the connection during use. To disconnect the attachment, twist and extract it also in direction of the arrow. If the nozzle is twisted in the opposite direction, the capsule may become loose.

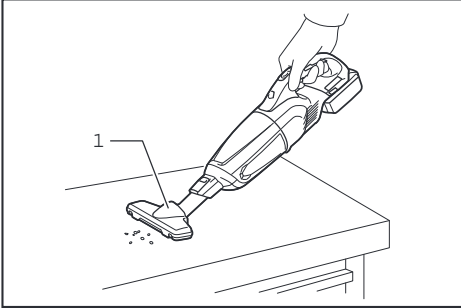
To install the nozzle, twist and insert it securely to the suction inlet of the cleaner or the end of extension wand. To disconnect, twist and remove it.



## Cleaning (Suction)

### Nozzle

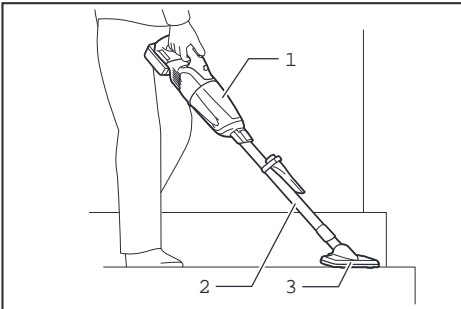
Attach the nozzle to clean off tables, desks, furniture, etc. The nozzle slips on easily.



► 1. Nozzle

### Nozzle + Extension wand (Straight pipe)

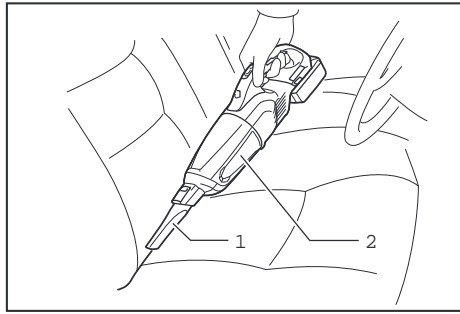
The extension wand fits in between the nozzle and the cleaner itself. This arrangement is convenient for cleaning a floor in a standing position.



► 1. Cleaner body 2. Extension wand 3. Nozzle

### Corner nozzle

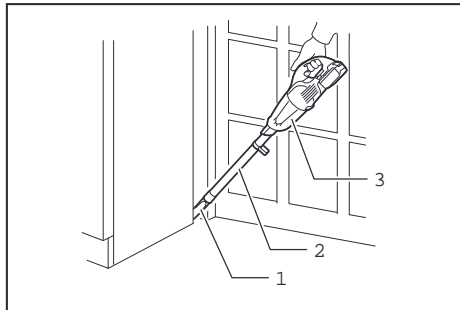
Fit on the corner nozzle for cleaning corners and crevices of a car or furniture.



► 1. Corner nozzle 2. Cleaner body

### Corner nozzle + Extension wand (Straight pipe)

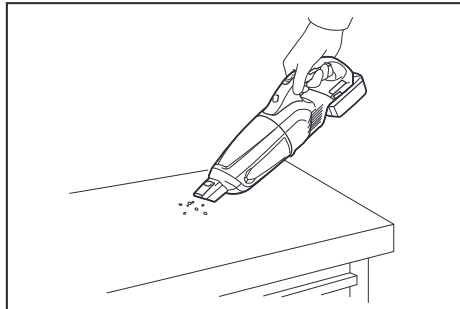
In tight quarters where the cleaner itself cannot squeeze in, or in high places hard to reach, use this arrangement.



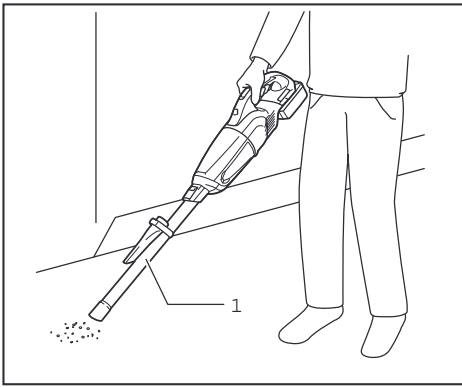
► 1. Corner nozzle 2. Extension wand 3. Cleaner body

### Cleaning without nozzle

You can pick up powder and dust without nozzle.



For picking up dust on a floor in a standing position, it is convenient to attach the extension wand to the cleaner.



► 1. Extension wand

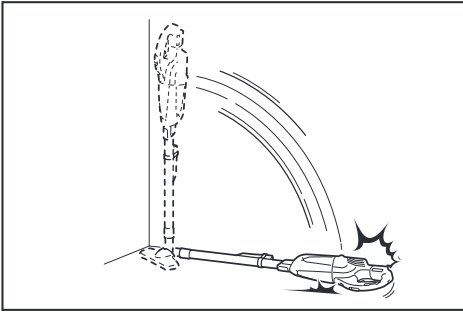
## MAINTENANCE

**CAUTION:** Always be sure that the tool is switched off and the battery cartridge is removed before attempting to perform inspection or maintenance.

To maintain product SAFETY and RELIABILITY, repairs, any other maintenance or adjustment should be performed by Makita Authorized or Factory Service Centers, always using Makita replacement parts.

### After use

**NOTICE:** Putting the cleaner against the wall without any other support cause the cleaner to fall down and be damaged.



## Cleaning

**NOTICE:** Never use gasoline, benzine, thinner, alcohol or the like. Discoloration, deformation or cracks may result.

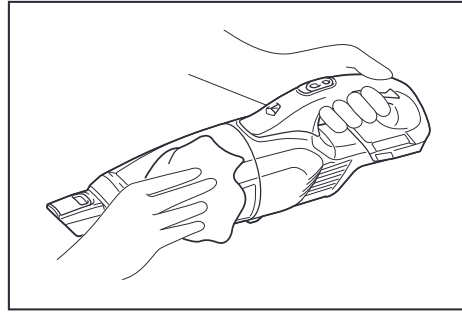
**NOTICE:** Do not blow dust sticking on the cleaner and filters by air duster. It brings dust into the housing and causes failure.

**NOTICE:** After washing filters, dry them thoroughly before use. Insufficiently dried filters may cause poor suction and shorten the service life of the motor.

**NOTICE:** After cleaning filters and sponge filter, be sure to re-install them before use. If you use the cleaner without filters and sponge filter, dust comes into the motor housing and cause malfunction.

## Cleaner body

From time to time wipe off the outside (cleaner body) of the cleaner using a cloth dampened in soapy water. Clean out also the suction opening and filter mounting area.



## High performance filter

Wash the filter in soapy water when it is clogged with dust and the cleaner power becomes weak. Dry it out thoroughly before use.



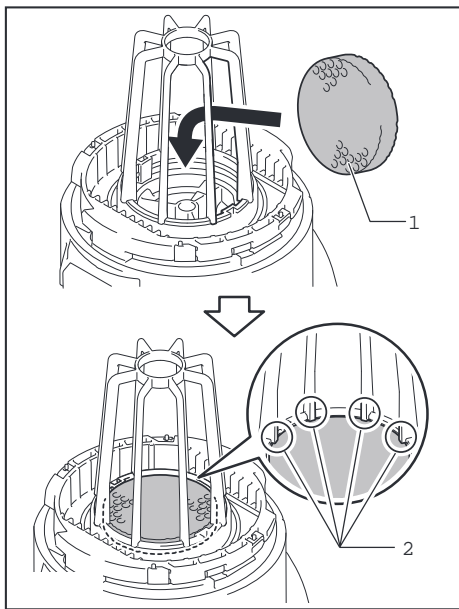
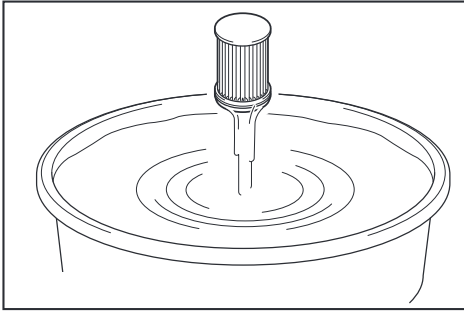
## HEPA filter

### Optional accessory

**NOTICE:** Do not rub or scratch the HEPA filter with hard objects such as a brush and a paddle.

Clogged HEPA filter cause poor suction performance. Clean out the filter from time to time.

Occasionally wash the HEPA filter in water, rinse and dry thoroughly in the shade before use. Never wash the filter in a washing machine.



► 1. Sponge filter 2. Bottom edge of pillar

## Sponge filter

When the sponge filter becomes dirty, clean it as follows.

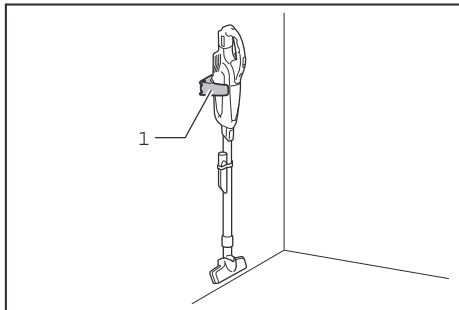
1. Remove the filter.
2. Pull out the sponge filter from between the pillars.
3. Clean the sponge filter by tapping or washing. If you wash it, dry it out thoroughly before use.
4. Insert the sponge filter between the pillars and set it in the original position. Make sure that each bottom edge of the pillar holds down the sponge filter, and there is no gap between the sponge filter and suction opening.

## Wall mount for cordless cleaner

### Optional accessory

**NOTE:** The screw to mount the holder is not included. Prepare a screw which fits with the material to screw into.

Attach the wall mount for cordless cleaner to a hard wooden wall, beam or column, where the wall mount for cordless cleaner can be firmly secured. Always be sure that the wall mount for cordless cleaner is securely attached before hanging the cleaner.



► 1. Wall mount for cordless cleaner

**CAUTION:** Do not hang the cleaner to the wall mount violently or hang other appliances than the cleaner.

## Troubleshooting

Before asking for repairs, check the following points.

Symptom	Area to be investigated	Fixing method
Weak suction power	Is the capsule full of dust?	Empty the capsule of dust.
	Is the filter clogged?	Clean or wash the filter.
	Is the battery cartridge exhausted ?	Charge the battery cartridge.
Not working	Is the battery cartridge exhausted ?	Charge the battery cartridge.

**⚠ CAUTION: Do not attempt to repair the cleaner by yourself.**

## OPTIONAL ACCESSORIES

**⚠ CAUTION: These accessories or attachments are recommended for use with your Makita tool specified in this manual.** The use of any other accessories or attachments might present a risk of injury to persons. Only use accessory or attachment for its stated purpose.

If you need any assistance for more details regarding these accessories, ask your local Makita Service Center.

- Extension wand (Straight pipe)
- Nozzle
- Nozzle for carpet
- Shelf brush
- Corner nozzle
- Round brush
- Flexible hose
- Filter
- Prefilter
- High performance filter
- HEPA filter
- Makita genuine battery and charger
- Free nozzle
- Seat nozzle
- Crevice nozzle
- Wall mount for cordless cleaner

**NOTE:** Some items in the list may be included in the tool package as standard accessories. They may differ from country to country.

## MAKITA LIMITED WARRANTY

Please refer to the annexed warranty sheet for the most current warranty terms applicable to this product. If annexed warranty sheet is not available, refer to the warranty details set forth at below website for your respective country.

United States of America: [www.makitatools.com](http://www.makitatools.com)

Canada: [www.makita.ca](http://www.makita.ca)

Other countries: [www.makita.com](http://www.makita.com)

## ESPECIFICACIONES

Modelo:	XLC03
Capacidad	750 ml
Uso continuo (con batería BL1830B)	Aprox. 20 min.
Longitud total	1 016 mm (40")
Tensión nominal	18 V c.c.
Peso neto	1,2 kg - 1,6 kg (2,7 lbs - 3,5 lbs)

- Debido a nuestro continuo programa de investigación y desarrollo, las especificaciones aquí incluidas están sujetas a cambio sin previo aviso.
- Las especificaciones pueden variar de país a país.
- El peso incluye el o los cartuchos de batería, pero no los accesorios. La combinación de menor y mayor peso del aparato y del o los cartuchos de batería se muestra en la tabla.

## Cartucho de batería y cargador aplicables

Cartucho de batería	BL1815N / BL1820B / BL1830 / BL1830B / BL1840B / BL1850B / BL1860B
Cargador	DC18RC / DC18RD / DC18RE / DC18SD / DC18SE / DC18SF

- Algunos de los cartuchos de batería y cargadores enumerados arriba podrían no estar disponibles dependiendo de su área de residencia.

**⚠ ADVERTENCIA:** Use únicamente los cartuchos de batería y los cargadores indicados arriba. El uso de cualquier otro cartucho de batería y cargador podría ocasionar una lesión y/o un incendio.

## ADVERTENCIAS DE SEGURIDAD

## INSTRUCCIONES IMPORTANTES DE SEGURIDAD

Al usar cualquier aparato eléctrico, siempre deben seguirse las precauciones básicas, incluyendo las siguientes:

## GUARDE ESTAS INSTRUCCIONES.

## ADVERTENCIA

Para reducir el riesgo de incendio, descarga eléctrica o lesión:

1. No deje el aparato con la batería puesta. Retire la batería del aparato

cuando no lo vaya a utilizar y antes de dar servicio de mantenimiento.

2. No lo utilice sobre superficies húmedas. No lo exponga a la lluvia. Almacénelo en interiores.
3. No permita que sea utilizado como un juguete. Supervise de cerca cuando lo utilicen niños o se utilice cerca de ellos.
4. Utilícelo solamente como se describe en este manual. Sólo use aditamentos recomendados por el fabricante.
5. No lo utilice con una batería dañada. Si el aparato no está funcionando como debiera, se ha dejado caer, se ha dañado, se ha dejado a la intemperie o ha caído sobre agua, llévelo a un centro de servicio.
6. No manipule el aparato con las manos mojadas.
7. No introduzca ningún objeto en las aberturas. No lo utilice con ninguna abertura bloqueada; manténgalo libre de polvo, pelusa, cabello y cualquier objeto que pueda reducir el flujo de aire.

8. **Mantenga el cabello, la ropa holgada, los dedos y todas las partes del cuerpo lejos de las aberturas y piezas móviles.**
9. **Apague todos los controles antes de retirar el cartucho de batería.**
10. **Tenga especial cuidado cuando limpie en escaleras.**
11. **No lo utilice para recoger líquidos inflamables o combustibles, tal como gasolina, ni en áreas donde puedan estar presentes.**
12. **No recoja nada que se esté quemando o desprenda humo, tal como cigarrillos, fósforos o cenizas calientes.**
13. **No lo utilice sin la bolsa recolectora de polvo y/o los filtros colocados en su lugar.**
14. **No cargue la batería en exteriores.**
15. **Evite una puesta en marcha accidental. Asegúrese de que el interruptor esté en la posición apagada antes de conectar el paquete de baterías, levantar el aparato o cargarlo.** Cargar el aparato con su dedo en el interruptor o pasar energía al aparato con el interruptor encendido puede propiciar accidentes.
16. **Desconecte el paquete de baterías del aparato antes de hacer cualquier ajuste, cambiar accesorios o almacenar el aparato.** Estas medidas de seguridad preventivas reducen el riesgo de poner en marcha el aparato accidentalmente.
17. **Recargue sólo con el cargador especificado por el fabricante.** Un cargador que es adecuado para un solo tipo de paquete de baterías puede generar riesgo de incendio al ser utilizado con otro paquete de baterías.
18. **Use los aparatos únicamente con los paquetes de baterías designados específicamente para ellos.** El uso de otros paquetes de baterías puede generar riesgo de lesiones e incendio.
19. **Cuando no se esté usando el paquete de baterías, guárdelo lejos de otros objetos metálicos tales como sujetapapeles (clips), monedas, llaves, clavos, tornillos u otros objetos metálicos pequeños que puedan crear una conexión entre una terminal y otra.** Ocasionar un cortocircuito en las terminales de la batería puede provocar quemaduras o incendios.
20. **En condiciones de mal uso, podría escapar líquido de la batería; evite tocarlo. Si lo toca accidentalmente, enjuague con agua. Si el líquido entra en contacto con los ojos, solicite adicionalmente atención médica.** El líquido expulsado de la batería puede causar irritación o quemaduras.
21. **No utilice un paquete de baterías o aparato que esté dañado o haya sido modificado.** Las baterías dañadas o modificadas podrían comportarse de manera impredecible causando un incendio, explosión o riesgo de lesión.
22. **No exponga un paquete de baterías o aparato al fuego o a una temperatura excesiva.** La exposición al fuego a una temperatura superior a 130 °C podría causar una explosión.
23. **Siga todas las instrucciones relativas a la carga y no cargue el paquete de baterías o el aparato fuera del rango de temperatura especificado en las instrucciones.** Cargar de manera inapropiada o a temperaturas fuera del rango especificado podría dañar la batería e incrementar el riesgo de incendio.
24. **Pida que el servicio lo realice un técnico en reparaciones calificado y que utilice únicamente piezas de repuesto idénticas a las originales.** Esto garantizará que se mantenga la seguridad del producto.
25. **No modifique ni intente reparar el aparato ni el paquete de baterías salvo como se indique en las instrucciones para el uso y cuidado.**

## **GUARDE ESTAS INSTRUCCIONES.**



# REGLAS DE SEGURIDAD ADICIONALES

Este aparato está diseñado para un uso doméstico solamente.

1. Lea cuidadosamente este manual de instrucciones y el manual de instrucciones del cargador antes de usar el aparato.
2. No aspire los siguientes elementos:
  - Líquidos inflamables (queroseno, gasolina, disolventes como bencina, diluyentes, etc.)
  - Sustancias calientes que están ardiendo o echando humo (cigarrillos, cerillas, palitos de incienso, velas, cenizas calientes), chispas y polvo metálico generados por el corte o el lijado de metales, etc.
  - Materiales inflamables (tóner, pinturas, aerosoles, etc.)
  - Espumas, como limpiadores de alfombras, etc. (pueden causar explosiones o incendios)
  - Sustancias explosivas o pirofóricas (nitroglicerina, aluminio, magnesio, titanio, zinc, fósforo rojo, fósforo amarillo, celuloide, etc., y su polvo, gases o vapores)
  - Objetos afilados (cristal, cubiertos, astillas de madera, metales, piedras, clavos, cuchillas, tachuelas, etc.)
  - Polvo fino conductor y solidificante (polvo metálico o de carbono)
  - Deshumidificador
  - Grandes cantidades de polvo (harina, polvo de extintor de incendios, etc.)
  - Sustancias que causan síntomas tóxicos
  - Productos químicos agresivos (ácidos, lixiviados, etc.)

- Basura líquida o húmeda, incluyendo vómitos y heces
- Asbesto
- Pesticidas

Tal acción podría ocasionar un incendio, lesiones y/o daños materiales.


Para reducir la exposición a estas sustancias químicas, utilice un equipo de protección respiratoria aprobado, tal como las máscaras contra polvo que están especialmente diseñadas para filtrar partículas microscópicas. No apunte la salida de aire a la cara y al cuerpo.

3. Detenga la operación de inmediato si nota algo anormal.
4. Si deja caer o golpea la aspiradora, verifique cuidadosamente si hay grietas o daños antes de la operación.
5. No la acerque a estufas ni a otras fuentes de calor.
6. No obstruya el orificio de flujo de entrada ni los orificios de ventilación.
7. Este aparato no se destina para utilizarse por personas (incluyendo niños) cuyas capacidades físicas, sensoriales o mentales sean diferentes o estén reducidas o carezcan de experiencia o de conocimiento, a menos que dichas personas reciban una supervisión o capacitación para el funcionamiento del aparato por una persona responsable de su seguridad.
8. Los niños deben supervisarse para asegurar que ellos no empleen los aparatos como juguete.

## GUARDE ESTAS INSTRUCCIONES.

### Símbolos

A continuación se muestran los símbolos utilizados para la herramienta.

v	volts o voltios
	corriente directa o continua

# Instrucciones importantes de seguridad para el cartucho de batería

1. Antes de utilizar el cartucho de batería, lea todas las instrucciones e indicaciones de precaución en el (1) el cargador de batería, (2) la batería, y (3) el producto con el que se utiliza la batería.
2. No desarme el cartucho de batería.
3. Si el tiempo de operación se ha acortado en exceso, deje de operar de inmediato. Podría correrse el riesgo de sobrecalentamiento, posibles quemaduras e incluso explosión.
4. En caso de que ingresen electrolitos en sus ojos, enjuáguelos bien con agua limpia y consulte de inmediato a un médico. Esto podría ocasionar pérdida de visión.
5. Evite cortocircuitar el cartucho de batería:
  - (1) No toque las terminales con ningún material conductor.
  - (2) Evite guardar el cartucho de batería en un cajón junto con otros objetos metálicos, tales como clavos, monedas, etc.
  - (3) No exponga el cartucho de batería al agua o la lluvia.

Un cortocircuito en la batería puede causar un flujo grande de corriente, sobrecalentamiento, posibles quemaduras e incluso una descompostura.
6. No guarde la herramienta ni el cartucho de batería en lugares donde la temperatura pueda alcanzar o exceder los 50°C (122°F).
7. Nunca incinere el cartucho de batería incluso en el caso de que esté dañado seriamente o ya no sirva en absoluto. El cartucho de batería puede explotar si se tira al fuego.
8. Tenga cuidado de no dejar caer ni golpear la batería.
9. No use una batería dañada.

10. Las baterías de ión de litio están sujetas a los requisitos reglamentarios en materia de bienes peligrosos. Para el transporte comercial, por ej., mediante terceros o agentes de transporte, se deben tomar en cuenta los requisitos especiales relativos al empaque y el etiquetado. Para efectuar los preparativos del artículo que se va a enviar, se requiere consultar a un experto en materiales peligrosos. Si es posible, consulte además otras regulaciones nacionales más detalladas. Pegue o cubra con cinta adhesiva los contactos abiertos y empaque la batería de manera que ésta no pueda moverse dentro del paquete.
11. Siga las regulaciones locales relacionadas al desecho de las baterías.
12. Utilice las baterías únicamente con los productos especificados por Makita. Instalar las baterías en productos que no cumplen con los requisitos podría ocasionar un incendio, un calentamiento excesivo, una explosión o una fuga de electrolito.

## GUARDE ESTAS INSTRUCCIONES.

**⚠PRECAUCIÓN:** Utilice únicamente baterías originales de Makita. El uso de baterías no originales de Makita, o de baterías alteradas, puede ocasionar que las baterías exploten causando un incendio, lesiones personales y daños. Asimismo, esto invalidará la garantía de Makita para la herramienta y el cargador Makita.

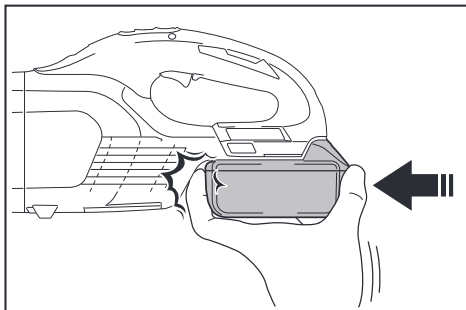
### Consejos para alargar al máximo la vida útil de la batería

1. Cargue el cartucho de batería antes de que se descargue completamente. Pare siempre la operación y cargue el cartucho de batería cuando note menos potencia en la herramienta.
2. No cargue nunca un cartucho de batería que esté completamente cargado. La sobrecarga acortará la vida de servicio de la batería.
3. Cargue el cartucho de batería a una temperatura ambiente de 10 °C - 40 °C (50 °F - 104 °F). Si un cartucho de batería está caliente, déjelo enfriar antes de cargarlo.
4. Cargue el cartucho de batería si no va a utilizarlo durante un período prolongado (más de seis meses).

## DESCRIPCIÓN DEL FUNCIONAMIENTO

**⚠PRECAUCIÓN:** Asegúrese siempre de que la herramienta esté apagada y el cartucho de batería haya sido extraído antes de realizar cualquier ajuste o comprobación en la herramienta.

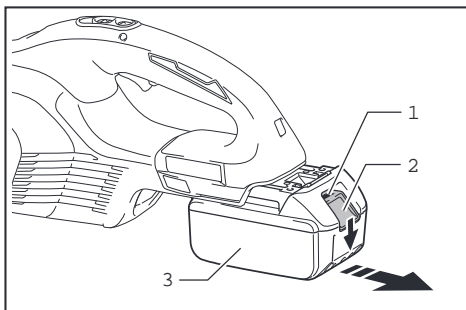
**⚠PRECAUCIÓN:** Tenga cuidado de que su(s) dedo(s) no quede(n) atrapado(s) entre la aspiradora y la batería, tal como se ilustra en el diagrama, al momento de colocar la batería. Si su(s) dedo(s) quedara(n) atrapado(s) podría(n) resultar lesionado(s).



## Instalación o extracción del cartucho de batería

**⚠PRECAUCIÓN:** Apague siempre la herramienta antes de colocar o quitar el cartucho de batería.

**⚠PRECAUCIÓN:** Sujete la herramienta y el cartucho de la batería con firmeza al colocar o quitar el cartucho de batería. Si no se sujeta con firmeza la herramienta y el cartucho de batería, puede ocasionar que se resbalen de sus manos causando daños a la herramienta y al cartucho de batería, así como lesiones a la persona.



► 1. Indicador rojo 2. Botón 3. Cartucho de batería

Para quitar el cartucho de batería, deslícelo de la herramienta mientras desliza el botón sobre la parte delantera del cartucho.

Para colocar el cartucho de batería, alinee la lengüeta sobre el cartucho de batería con la ranura en la carcasa y deslice en su lugar. Inserte por completo hasta que se fije en su lugar con un pequeño clic. Si puede ver el indicador rojo del lado superior del botón, esto indica que no ha quedado fijo por completo.

**⚠PRECAUCIÓN:** Introduzca siempre completamente el cartucho de batería hasta que el indicador rojo no pueda verse. Si no, podría accidentalmente salirse de la herramienta y caer al suelo causando una lesión a usted o alguien a su alrededor.

**⚠PRECAUCIÓN:** No instale el cartucho de batería a la fuerza. Si el cartucho no se desliza al interior fácilmente, se debe a que no está siendo insertado correctamente.

## Sistema de protección de batería

La herramienta está equipada con un sistema de protección para la herramienta/batería. Este sistema corta automáticamente la alimentación al motor para prolongar la vida de la herramienta y la batería. La herramienta se detendrá automáticamente durante la operación si la herramienta o la batería se someten a una de las siguientes condiciones.

### Sobrecarga:

La herramienta se está utilizando de una manera que causa que consuma una cantidad de corriente inusualmente alta.

En este caso, apague la herramienta y detenga la aplicación que causó que la herramienta se sobrecargara. Luego encienda la herramienta para reiniciarla.

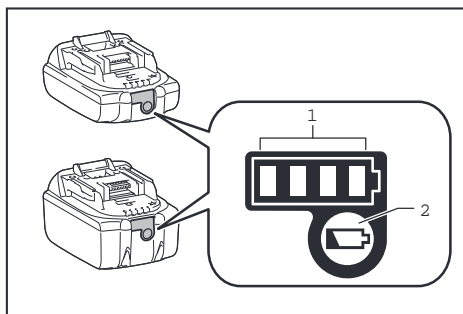
Si la herramienta no arranca, significa que la batería se sobrecalentó. En este caso, espere a que la batería se enfríe antes de volver a encender la herramienta.

### Bajo voltaje de la batería:

La capacidad restante de la batería es demasiado baja y la herramienta no funcionará. En este caso, extraiga la batería y vuelva a cargarla.

## Indicación de la capacidad restante de la batería

*Únicamente para cartuchos de batería con el indicador*



► 1. Luces indicadoras 2. Botón de verificación

Oprima el botón de verificación en el cartucho de la batería para que indique la capacidad restante de la batería. Las luces indicadoras se iluminarán por algunos segundos.

Luces indicadoras			Capacidad restante
Iluminadas	Apagadas	Parpadeando	
■ ■ ■ ■			75% a 100%
■ ■ ■ □			50% a 75%
■ ■ □ □			25% a 50%
■ □ □ □			0% a 25%
▣ □ □ □			Cargar la batería.
■ ■ □ □		↑ ↓	La batería pudo haber funcionado mal.

**NOTA:** Dependiendo de las condiciones de uso y la temperatura ambiente, la indicación podrá diferir ligeramente de la capacidad real.

### Accionamiento del interruptor

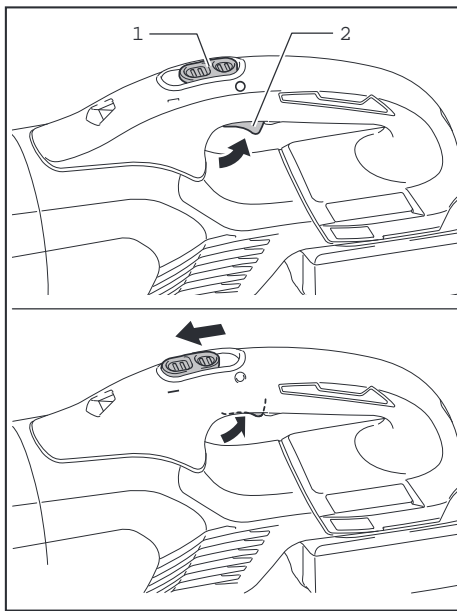
**⚠PRECAUCIÓN:** Antes de instalar el cartucho de batería en la herramienta, ponga el interruptor deslizable en el lado "O" y compruebe que el gatillo interruptor se accione debidamente y que regrese a la posición "OFF" (apagado) una vez que se suelte.

**Cuando el interruptor deslizable se pone en el lado "O":**

Para poner en marcha la herramienta, simplemente jale el gatillo interruptor. Para detenerla, suelte el gatillo interruptor.

**Cuando el interruptor deslizable se pone en el lado "I":**

Mientras el interruptor deslizable se pone en el lado "I", el gatillo interruptor se jala automáticamente y la aspiradora continúa activada. Para detener la aspiradora, ponga el gatillo interruptor en el lado "O" y libere el gatillo interruptor.



► 1. Interruptor deslizable 2. Gatillo interruptor

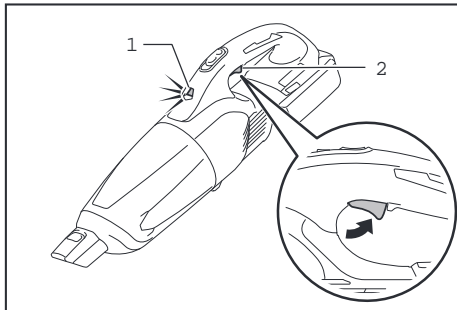
### Encendido de la lámpara

**⚠PRECAUCIÓN:** No mire a la luz ni vea a la fuente de luz directamente.

Para encender la lámpara, jale el gatillo interruptor. Durante la puesta en marcha de la herramienta, la lámpara se encenderá.

Suelte el interruptor para apagar la lámpara.

Cuando la capacidad restante de la batería esté baja, la lámpara comenzará a parpadear.



► 1. Luz 2. Gatillo interruptor

**NOTA:** El momento en el que la lámpara comenzará a parpadear dependerá de la temperatura en el lugar de trabajo y de las condiciones del cartucho de batería.

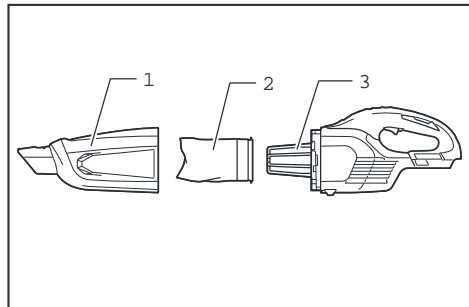
# MONTAJE

**⚠PRECAUCIÓN:** Asegúrese siempre de que la herramienta esté apagada y el cartucho de batería haya sido extraído antes de realizar cualquier trabajo en la misma.

## Descripción de las piezas

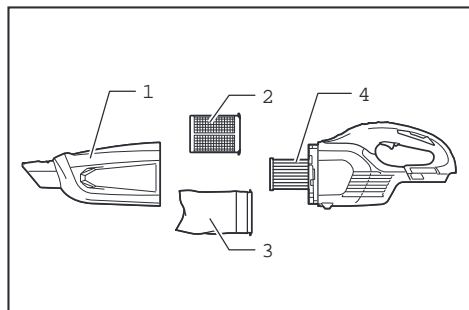
*Accesorio opcional*

### Filtro de alto rendimiento y retenedor y filtro de esponja



- 1. Cápsula 2. Filtro de alto rendimiento  
3. Retenedor y filtro de esponja

### Prefiltro o filtro de alto rendimiento y filtro HEPA

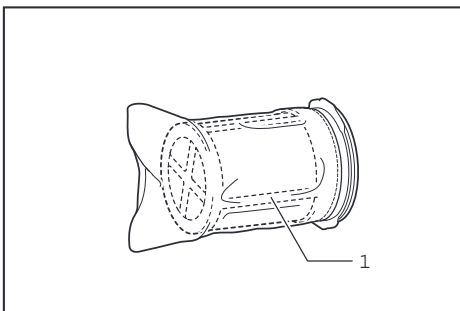


- 1. Cápsula 2. Prefiltro 3. Filtro de alto rendimiento  
4. Filtro HEPA

**AVISO:** No utilice el filtro de alto rendimiento con el filtro (accesorio opcional). El filtro de alto rendimiento podría no ser retirado de la aspiradora.

**NOTA:** Cuando use el prefiltro y el filtro opcionales con el filtro HEPA, use solo el prefiltro sobre el filtro HEPA. Si usa el prefiltro y el filtro con el filtro HEPA al mismo tiempo, es posible que la potencia de succión disminuya.

**NOTA:** Cuando use el filtro HEPA con el filtro de alto rendimiento, use el filtro de alto rendimiento con el retenedor.



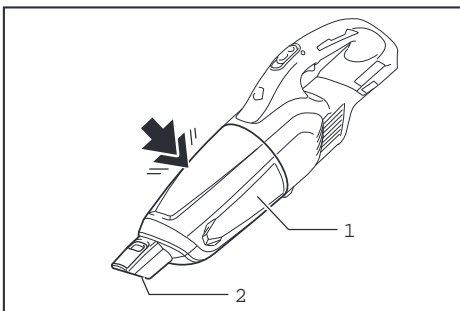
- 1. Retenedor

## Eliminación del polvo

**⚠PRECAUCIÓN:** Vacíe la aspiradora antes de que se llene, o la fuerza de succión se debilitará.

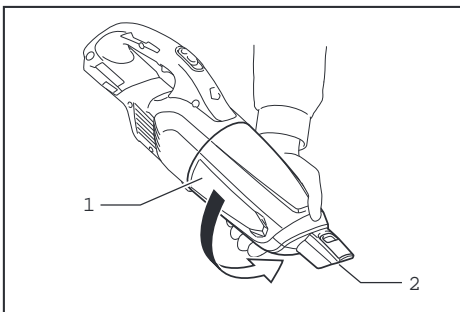
**⚠PRECAUCIÓN:** Asegúrese de vaciar el polvo que haya dentro de la misma aspiradora. El no hacerlo podría causar que el filtro se tape o que el motor se dañe.

Para eliminar el polvo que quede pegado sobre el filtro en la cápsula, dé un golpe ligero a la cápsula unas 4 o 5 veces con su mano.



- 1. Cápsula 2. Entrada de succión

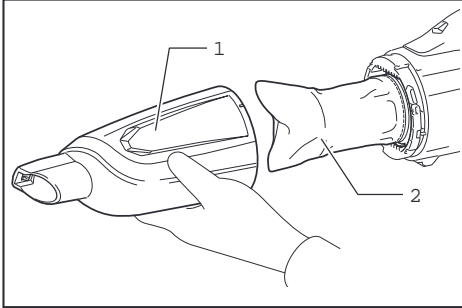
Dirija la entrada de succión hacia abajo, gire la cápsula en la dirección de la flecha en el diagrama y desconecte la cápsula lentamente y en línea recta.



- 1. Cápsula 2. Entrada de succión

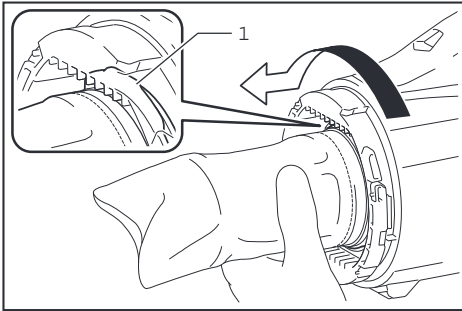
**NOTA:** Es posible que se derrame polvo al abrir la cápsula, por lo que deberá asegurarse de colocar una bolsa de basura por debajo de la cápsula.

Elimine el polvo acumulado en el interior de la cápsula y del filtro de alto rendimiento.



► 1. Cápsula 2. Filtro de alto rendimiento

Enrosque el filtro de alto rendimiento en la dirección de la flecha para desabrochar el reborde de fijación de la unidad de la aspiradora y luego saque el filtro.



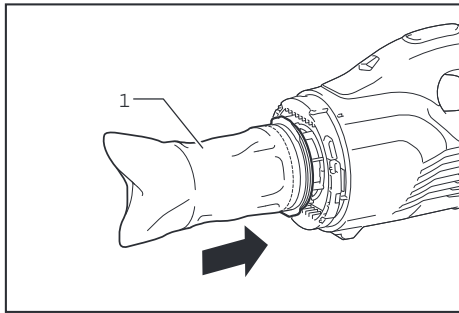
► 1. Reborde de fijación

**NOTA:** Cuando utilice el prefiltro, siga también el procedimiento anterior.

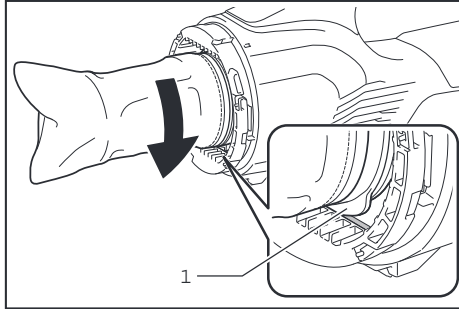
Limpie el polvo fino y golpee ligeramente para desprender el polvo del filtro de alto rendimiento.

## Reensamble

Conecte el filtro de alto rendimiento. En este momento, asegúrese de enroscar el filtro de alto rendimiento de tal manera que el reborde de fijación quede firmemente bloqueado en la unidad de la aspiradora.



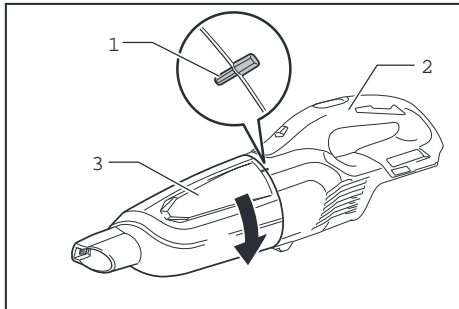
► 1. Filtro de alto rendimiento



► 1. Reborde de fijación

**AVISO:** Asegúrese siempre de verificar que el filtro de alto rendimiento esté cargado correctamente antes de usar la aspiradora. Si no están correctamente puestos, el polvo se introducirá a la carcasa del motor causando daños en el mismo. Si se presenta el problema como se describe más adelante, el filtro de alto rendimiento no se pondrá correctamente. Vuélvalos a colocar correctamente para corregir el problema.

Conecte la cápsula. Alinee la marca en la cápsula con la marca en el mango y luego gire firmemente la cápsula en la dirección de la flecha hasta que quede asegurada.

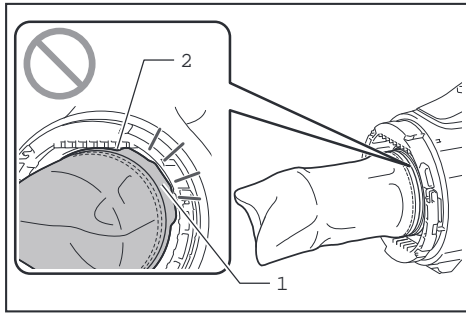


► 1. Marca 2. Mango 3. Cápsula

**NOTA:** Siempre elimine el polvo con antelación, ya que el poder de succión será menor si hay demasiado polvo en la aspiradora.

## Ejemplos de problemas

El reborde de fijación del filtro de alto rendimiento no está firmemente bloqueado en la ranura de la carcasa de la aspiradora de la aspiradora.



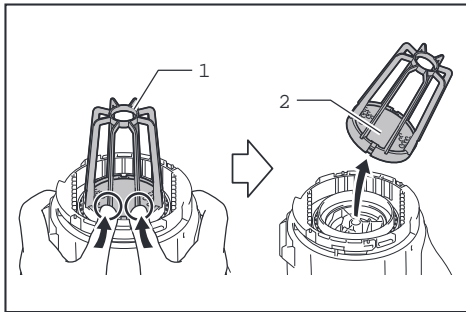
► 1. Reborde de fijación 2. Ranura de la carcasa de la aspiradora

## Instalación o extracción del retenedor/filtro HEPA

*Accesorio opcional*

### Para el retenedor y filtro de esponja

Para extraer el retenedor, empuje hacia arriba la parte inferior de los pilares del retenedor con sus dedos y libere su ranura de la parte saliente de la aspiradora. Después de esto, extraiga el filtro de esponja.

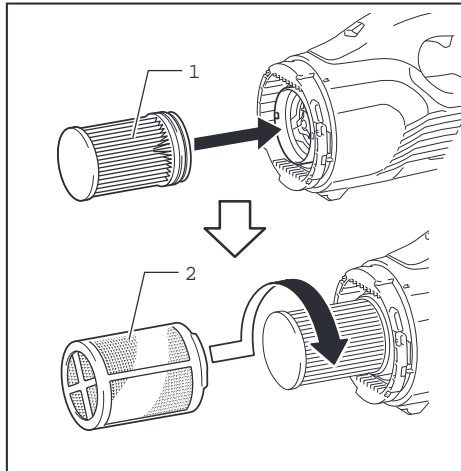


► 1. Retenedor 2. Filtro de esponja

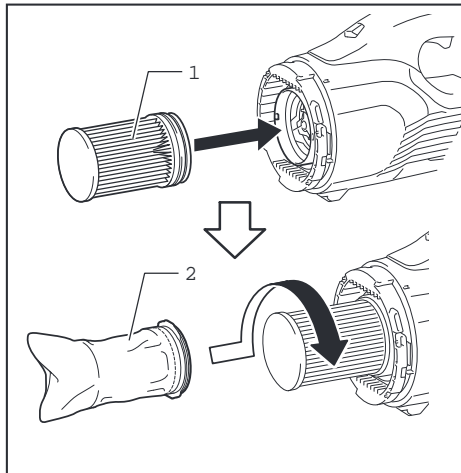
Para instalar, alinee las ranuras sobre el retenedor con la parte saliente en la aspiradora, luego empuje hasta que haga clic. Inserte el filtro de esponja entre los pilares y colóquelo en la posición original.

## Para el filtro HEPA

Cuando instale el filtro HEPA, acomode la ranura del filtro HEPA con la parte saliente sobre la aspiradora. Luego, coloque el prefiltro o el filtro de alto rendimiento en el filtro HEPA y gírelo para asegurarlo. Para extraerlo, siga el procedimiento de instalación en orden inverso.



► 1. Filtro HEPA 2. Prefiltro



► 1. Filtro HEPA 2. Filtro de alto rendimiento

## OPERACIÓN

**⚠PRECAUCIÓN:** No ponga la cara cerca de la abertura de ventilación cuando utilice la aspiradora. Si las partículas sopladas se introducen en los ojos, podrían causar lesiones.

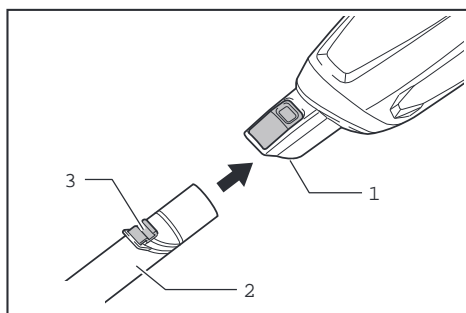
### Instalación o desinstalación del aditamento para aspiradora

**⚠PRECAUCIÓN:** Después de instalar el aditamento, verifique si está bien instalado. Si el aditamento no está instalado perfectamente bien, éste podría salirse y ocasionar una lesión.

**⚠PRECAUCIÓN:** Cuando extraiga el aditamento, tenga cuidado de no golpear su mano contra el muro, etc.

### Cuando se utiliza el tubo de extensión con la función de bloqueo

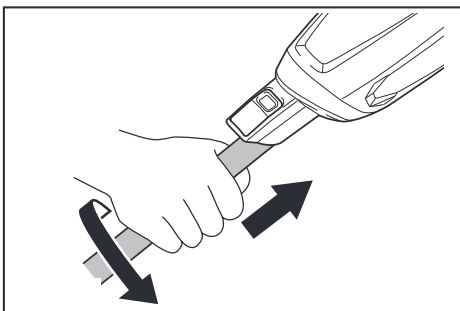
Para instalar el tubo de extensión, insértelo en la entrada de succión de la aspiradora hasta que haga clic. Asegúrese de que el tubo de extensión quede asegurado.



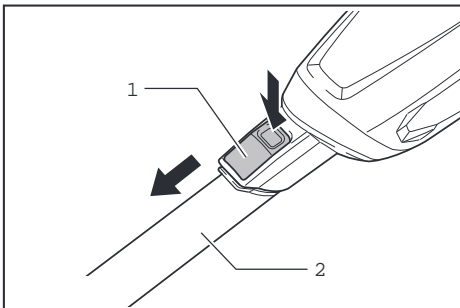
- 1. Entrada de succión 2. Tubo de extensión  
3. Gancho

**NOTA:** Cuando instale el tubo de extensión, asegúrese de alinear el botón de liberación con el gancho sobre el tubo de extensión. Si no están alineados, el tubo no se bloqueará y puede salirse de la aspiradora.

**NOTA:** Cuando instale el tubo de extensión sin la función de bloqueo (accesorio opcional), gírelo e insértelo en la entrada de succión de la aspiradora en la dirección de la flecha. Para desconectar, gire y extráigalo también en la dirección de la flecha.



Para extraerlo, jale el tubo de extensión oprimiendo simultáneamente el botón de liberación.

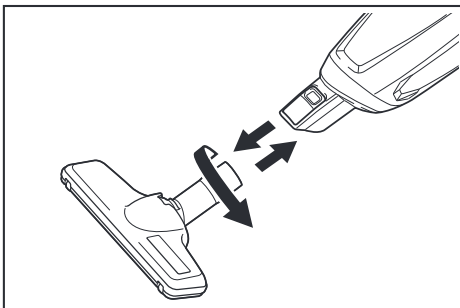


- 1. Botón de liberación 2. Tubo de extensión

### Cuando se utilice la boquilla

**⚠PRECAUCIÓN:** Para conectar la boquilla, enrósque e insértela en la dirección de la flecha para asegurar la conexión durante el uso. Para desconectar el aditamento, gírelo y extráigalo también en la dirección de la flecha. Si la boquilla se enrósca en la dirección opuesta, la cápsula podría quedar suelta.

Para instalar la boquilla, enrósquela e insértela firmemente en la entrada de succión de la aspiradora o en el extremo del tubo de extensión. Para desconectarlo, retírelo girándolo.

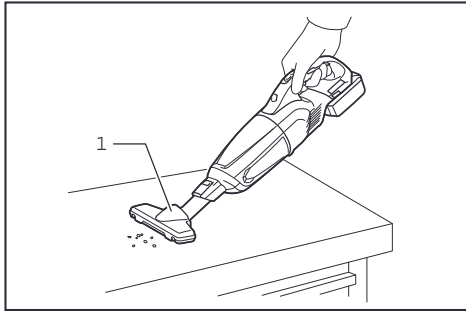




## Aspirado (succión)

### Boquilla

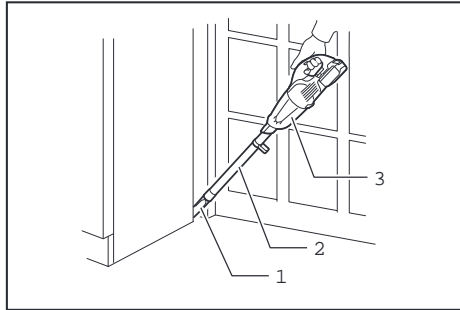
Coloque la boquilla para aspirar mesas, escritorios, muebles, etc. La boquilla se pone fácilmente.



► 1. Boquilla

### Boquilla para esquinas + Tubo de extensión (tubo recto)

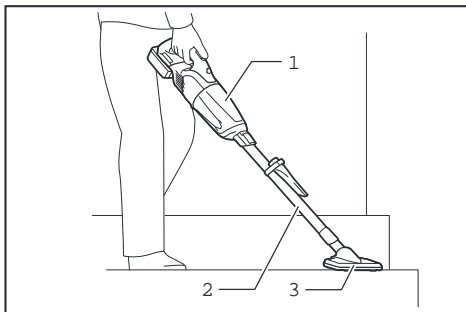
Utilice esta modalidad para espacios estrechos donde la misma aspiradora no quepa, o en lugares elevados difíciles de alcanzar.



► 1. Boquilla para esquinas 2. Tubo de extensión  
3. Cuerpo de la aspiradora

### Boquilla + Tubo de extensión (tubo recto)

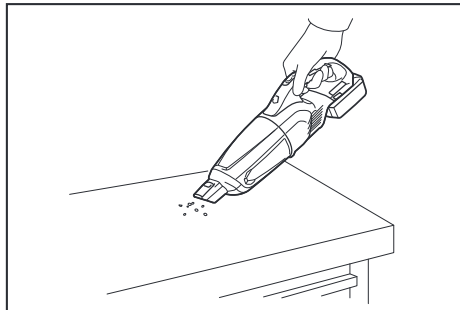
El tubo de extensión se coloca entre la boquilla y la aspiradora misma. Esta modalidad resulta conveniente para aspirar un piso estando de pie.



► 1. Cuerpo de la aspiradora 2. Tubo de extensión  
3. Boquilla

### Aspirado sin boquilla

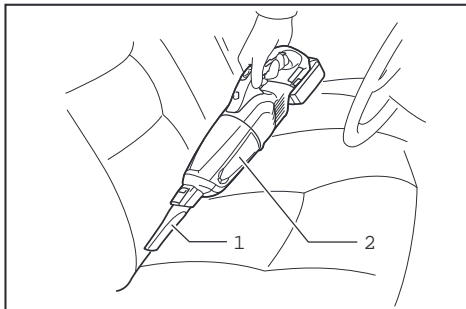
Puede aspirar el polvo sin el uso de la boquilla.



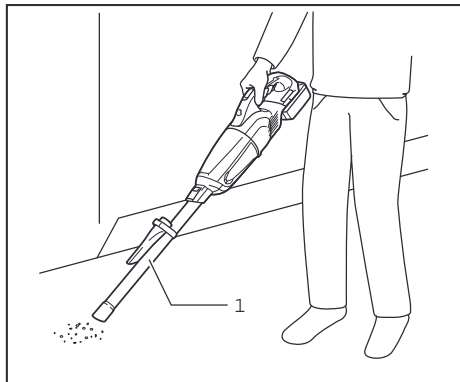
Para recoger polvo en un piso en posición de pie, es conveniente colocar el tubo de extensión en la aspiradora.

### Boquilla para esquinas

Coloque la boquilla para esquinas para aspirar esquinas y huecos en autos y muebles.



► 1. Boquilla para esquinas 2. Cuerpo de la aspiradora



► 1. Tubo de extensión

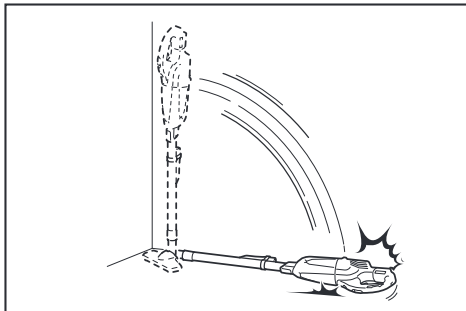
## MANTENIMIENTO

**PRECAUCIÓN:** Asegúrese siempre de que la herramienta esté apagada y el cartucho de batería extraído antes de intentar realizar una inspección o mantenimiento.

Para mantener la SEGURIDAD y CONFIABILIDAD del producto, las reparaciones y cualquier otro mantenimiento o ajuste deben ser realizados por los centros de servicio autorizados por Makita o de fábrica, utilizando siempre repuestos Makita.

### Después del uso

**AVISO:** El colocar la aspiradora contra la pared sin que haya ningún otro soporte podría ocasionar que la aspiradora se cayera y se dañara.



### Limpieza

**AVISO:** Nunca use gasolina, bencina, diluyente (tíner), alcohol o sustancias similares. Puede que esto ocasione grietas o descoloramiento.

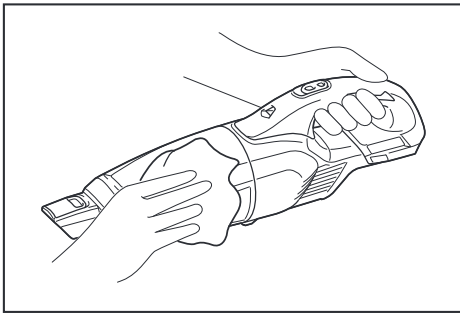
**AVISO:** No use un soplador de aire con el fin de eliminar el polvo adherido en la aspiradora y en los filtros. Esto introduciría polvo en la carcasa pudiendo causar daños.

**AVISO:** Después de lavar los filtros, séquelos completamente antes de usarlos. Si los filtros no están completamente secos la succión podría ser deficiente y la vida útil del motor podría reducirse.

**AVISO:** Después de limpiar los filtros y el filtro de esponja, asegúrese de volverlos a instalar antes del uso. Si utiliza la aspiradora sin los filtros y el filtro de esponja, el polvo entrará a la carcasa del motor causando daños en el mismo.

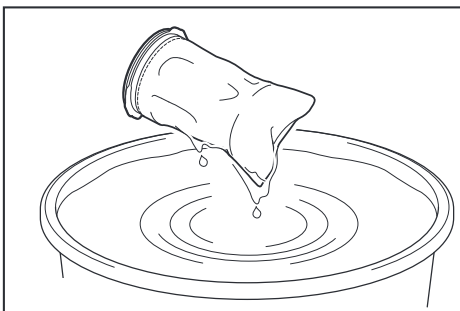
### Cuerpo de la aspiradora

De vez en cuando, limpie el exterior (cuerpo) de la aspiradora usando un paño húmedo y agua enjabonada. Asimismo, limpie la abertura de succión y el área donde va instalado el filtro.



### Filtro de alto rendimiento

Lave el filtro en agua enjabonada cuando éste se haya tapado con el polvo y disminuya la potencia de la aspiradora. Déjelo secar por completo antes de usarlo.



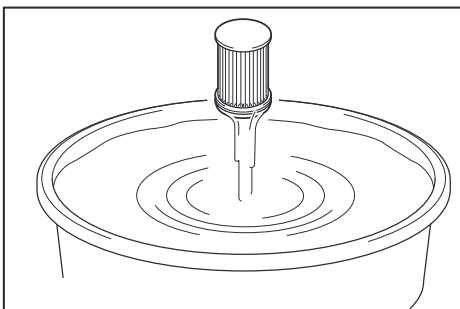
### Filtro HEPA

#### Accesorio opcional

**AVISO:** No frote ni raye el filtro HEPA con objetos duros tales como un cepillo o una pala.

La obstrucción del filtro HEPA hace que el desempeño de la succión sea deficiente. Limpie el filtro de vez en cuando.

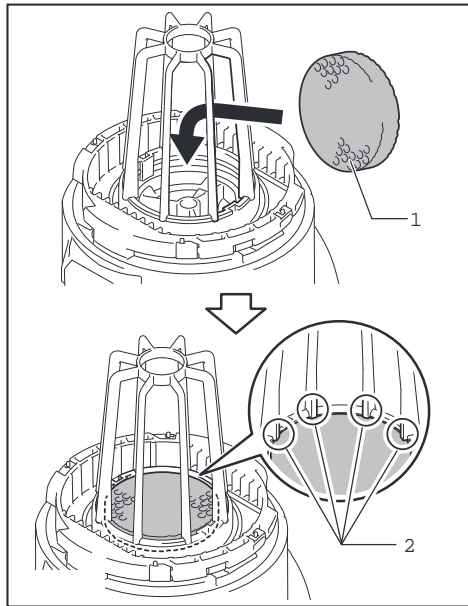
De vez en cuando, lave el filtro HEPA con agua, enjuáguelo y séquelo bien a la sombra antes de usarlo. Nunca lave el filtro en la lavadora.



## Filtro de esponja

Cuando el filtro de esponja se ensucie, límpielo como se indica a continuación.

1. Retire el filtro.
2. Jale hacia afuera el filtro de esponja de entre los pilares.
3. Limpie el filtro de esponja mediante golpecitos o lavándolo. Si lo lava, déjelo secar por completo antes de usarlo.
4. Inserte el filtro de esponja entre los pilares y colóquelo en la posición original. Asegúrese de que el borde inferior de cada pilar mantenga sujetado el filtro de esponja y que no haya ningún espacio entre el filtro de esponja y la abertura de succión.



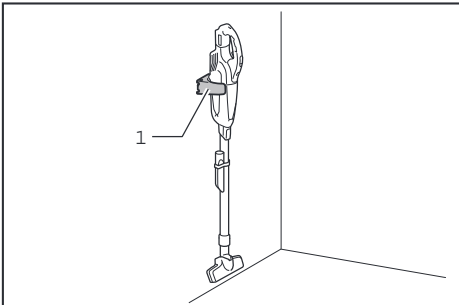
► 1. Filtro de esponja 2. Borde inferior del pilar

## Montaje de pared para la aspiradora inalámbrica

### Accesorio opcional

**NOTA:** El tornillo para instalar el soporte no está incluido. Prepare un tornillo que sea apto para el material donde va a atornillarse.

Fije el montaje de pared para la aspiradora inalámbrica en una pared, travesaño o columna de madera resistente donde el montaje de pared para la aspiradora inalámbrica quede firmemente asegurado. Asegúrese siempre de que el montaje de pared para la aspiradora inalámbrica esté firmemente asegurado antes de colgar la aspiradora.



► 1. Montaje de pared para la aspiradora inalámbrica

**⚠PRECAUCIÓN:** No cuelgue la aspiradora en el montaje de pared forzosamente ni cuelgue otros aparatos que no sean la aspiradora.

## Detección y solución de problemas

Antes de solicitar una reparación, verifique los siguientes puntos.

Sintoma	Área a ser investigada	Método de solución
Potencia de succión deficiente	¿La cápsula está llena de polvo?	Vacíe el polvo de la cápsula.
	¿El filtro está tapado?	Limpie o lave el filtro.
	¿El cartucho de batería se ha agotado?	Cargue el cartucho de batería.
No funciona	¿El cartucho de batería se ha agotado?	Cargue el cartucho de batería.

**⚠PRECAUCIÓN:** No intente reparar la aspiradora por su cuenta.

## ACCESORIOS OPCIONALES

**⚠PRECAUCIÓN:** Estos accesorios o aditamentos están recomendados para utilizarse con su herramienta Makita especificada en este manual. El empleo de cualquier otro accesorio o aditamento puede conllevar el riesgo de lesiones personales. Utilice los accesorios o aditamentos solamente para su fin establecido.

Si necesita cualquier ayuda para más detalles en relación con estos accesorios, pregunte a su centro de servicio local Makita.

- Tubo de extensión (tubo recto)
- Boquilla
- Boquilla para alfombra
- Cepillo para estantes
- Boquilla para esquinas
- Cepillo redondo
- Manguera flexible
- Filtro
- Prefiltro
- Filtro de alto rendimiento
- Filtro HEPA
- Batería y cargador originales de Makita
- Boquilla amplia
- Boquilla para asientos
- Boquilla para huecos
- Montaje de pared para la aspiradora inalámbrica

**NOTA:** Algunos de los artículos en la lista pueden incluirse en el paquete de la herramienta como accesorios estándar. Éstos pueden variar de país a país.

## GARANTÍA LIMITADA DE MAKITA

### Ésta Garantía no aplica para México

Consulte la hoja de la garantía anexa para ver los términos más vigentes de la garantía aplicable a este producto. En caso de no disponer de esta hoja de garantía anexa, consulte los detalles sobre la garantía descritos en el sitio web de su país respectivo indicado a continuación.

Estados Unidos de América: [www.makitatools.com](http://www.makitatools.com)

Canadá: [www.makita.ca](http://www.makita.ca)

Otros países: [www.makita.com](http://www.makita.com)







< USA only >

# WARNING

Some dust created by power sanding, sawing, grinding, drilling, and other construction activities contains chemicals known to the State of California to cause cancer, birth defects or other reproductive harm. Some examples of these chemicals are:

- lead from lead-based paints,
- crystalline silica from bricks and cement and other masonry products, and
- arsenic and chromium from chemically-treated lumber.

Your risk from these exposures varies, depending on how often you do this type of work. To reduce your exposure to these chemicals: work in a well ventilated area, and work with approved safety equipment, such as those dust masks that are specially designed to filter out microscopic particles.

< Sólo en los Estados Unidos >

# ADVERTENCIA

Algunos polvos creados por el lijado, aserrado, esmerilado, taladrado y otras actividades de la construcción contienen sustancias químicas reconocidas por el Estado de California como causantes de cáncer, defectos de nacimiento y otros peligros de reproducción. Algunos ejemplos de estos productos químicos son:

- plomo de pinturas a base de plomo,
- sílice cristalino de ladrillos y cemento y otros productos de albañilería, y
- arsénico y cromo de maderas tratadas químicamente.

El riesgo al que se expone varía, dependiendo de la frecuencia con la que realice este tipo de trabajo. Para reducir la exposición a estos productos químicos: trabaje en un área bien ventilada y póngase el equipo de seguridad indicado, tal como las máscaras contra polvo que están especialmente diseñadas para filtrar partículas microscópicas.

## Makita Corporation

3-11-8, Sumiyoshi-cho,  
Anjo, Aichi 446-8502 Japan

[www.makita.com](http://www.makita.com)

885705-948  
XLC03-1  
EN, ESMX  
20190208