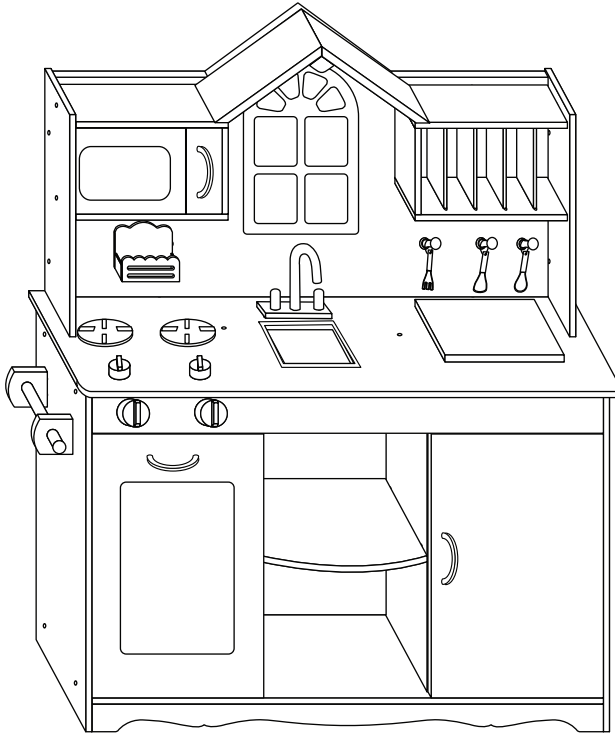


COSTWAY[®]



USER'S MANUAL

Kitchen Playset TY322434

THIS INSTRUCTION BOOKLET CONTAINS **IMPORTANT** SAFETY INFORMATION. PLEASE READ AND KEEP FOR FUTURE REFERENCE.

Please give us a chance to make it right and do better!

Contact our friendly customer service department for help first.

Replacements for missing or damaged parts will be shipped ASAP!

Follow Costway

Visit us: www.costway.com



Contact Us!

Do NOT return this item.

Contact our friendly customer service department for help first.



Before You Start

Please read all instructions carefully and keep it for future reference.

General Security Warning

Caution: The Product is not suitable for the children under 3 years

Danger: Keep all small parts and packaging materials for this product away from babies and children, otherwise they may pose a choking hazard.

Danger: Lack of attachment may cause a risk of tipping.



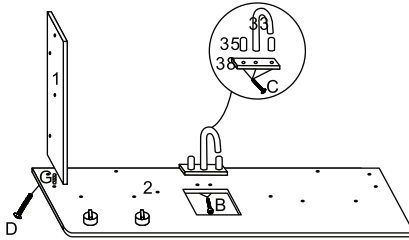
WARNING:
CHOKING HAZARD-Small parts.
Not for children under 3 years.

Warning for Assembly

- △ Construction only by adults
- △ Remove all Packaging, separate and count all parts and hardware.
- △ Read through each step carefully and follow the proper order.
- △ We recommend that, where possible, all items are assembled near to the area in which they will be placed in use, to avoid moving the product unnecessarily once assembled.
- △ Ensure a secure surface during construction, and place the product always on a flat, steady and stable surface.

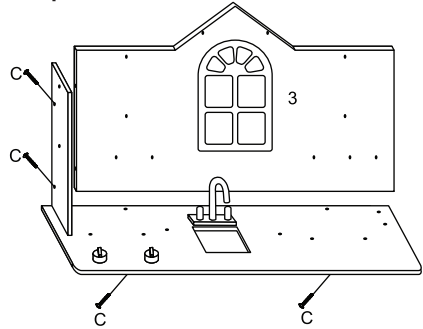
 1: 1PC	 2: 1PC		 3: 1PC						
 4: 1PC	 5: 1PC	 6: 1PC	 7: 1PC	 8: 1PC	 9: 1PC	 10: 1PC	 11: 1PC	 12: 4PCS	
 13: 1PC	 14: 1PC	 15: 1PC	 16: 1PC	 17: 1PC	 18: 1PC	 19: 1PC	 20: 1PC		
 21: 1PC	 22: 1PC		 23: 2PCS	 24: 1PC	 25: 1PC	 26: 1PC	 27: 1PC	 28: 1PC	
 29: 1PC	 30: 1PC	 31: 1PC	 32: 1PC	 33: 1PC	 34: 1PC	 35: 2PCS	 36: 2PCS	 37: 3PCS	 40: 1PC
 38: 1PC	 39: 1PC	 41	 A: 4PCS	 B: 7PCS	 C: 23PCS	 D: 22PCS	 E: 4PCS	 L	
 F: 16PCS	 G: 14PCS	 H: 14PCS	 I: 3PCS	 J: 6PCS	 K: 2PCS				

Step 1



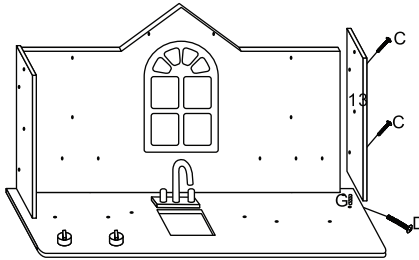
Insert the G(wooden dowel) in NO.1 panel, then use the D screws to lock No.1 and No.2 panel, use C screws to lock No.33 and 35 to No.38, finally, use B screws to lock taps on No.2 panel.

Step 2



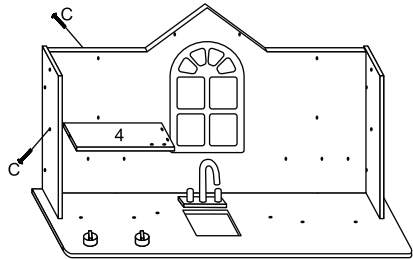
Use C screws to fix No.1 on No.3, use C screws to fix No.3 on No.2.

Step 3



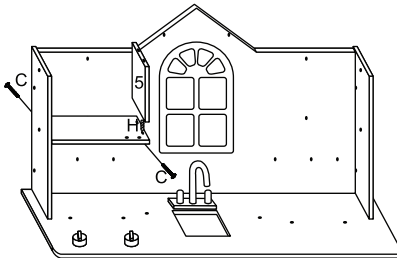
Insert the G(wooden dowel) in NO.13 panel, use D screws fixed on NO.2 panel, use C screws fixed on NO.13 panel to No.3 panel.

Step 4



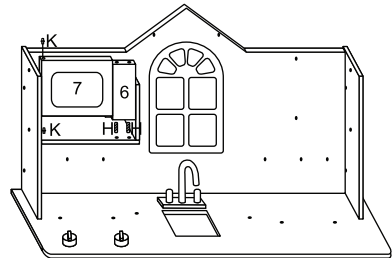
Use C screw fixed No.4 panel to No.1 and No.3 panel.

Step 5



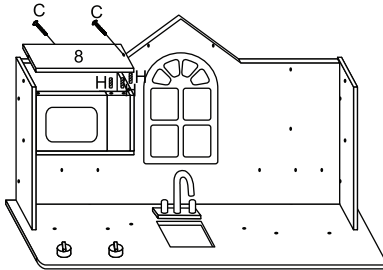
Insert the H(wooden dowel) to No.5 panel, use C screws fixed on No.4 panel.

Step 6



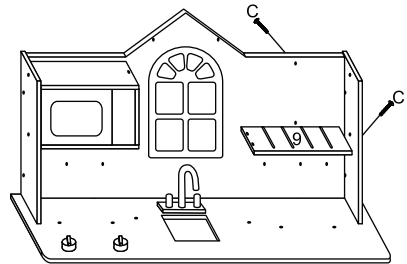
Insert K (hinges) to No 6 and No.7 panel.

Step 7



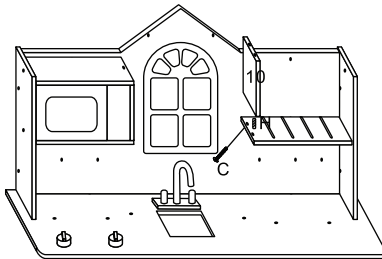
Use C screws fixed on No.8 panel.

Step 8



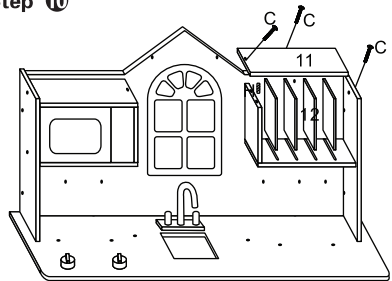
Use C screws fixed on No.9 panel.

Step 9



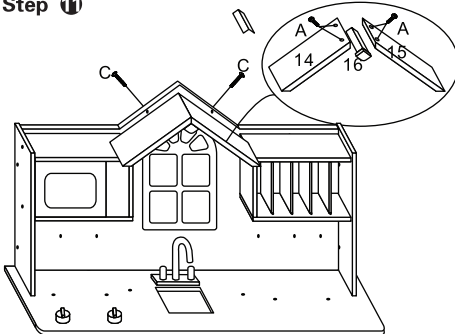
Insert H(wooden dowel) to No.10 panel,
use C screws fixed on No.9 panel.

Step 10



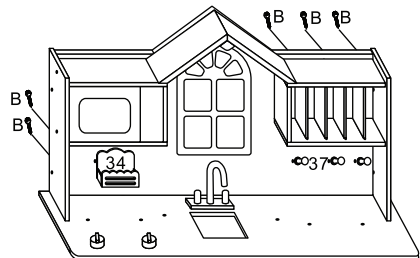
Insert 4pcs No.12 to No.9 panel groove,
use C screws fixed on No.11 panel.

Step 11



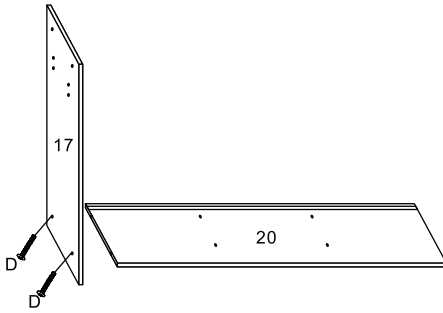
Use C screws fixed on No.14 and No.15 panel
to No.3 panel, use A screws fixed on No.16
panel.

Step 12



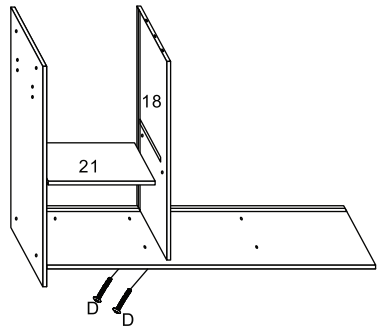
Use B screws fixed on No.34 to No.3 panel,
use B screws fixed on 3pcs No.37 to No.3
panel. Now finished the upper half of kitchen.

Step 13



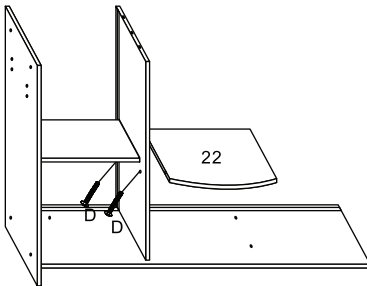
Use D screws fixed on NO.17 panel to No.20 panel.

Step 14



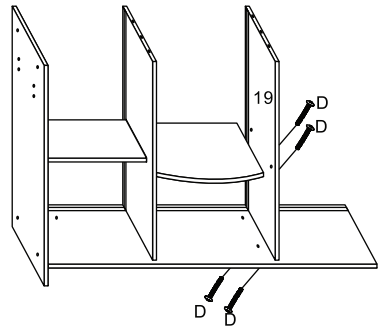
Use D screws fixed on No.18 panel to No.20 panel insert No.21 panel to groove of No.17 and No.18 panel.

Step 15



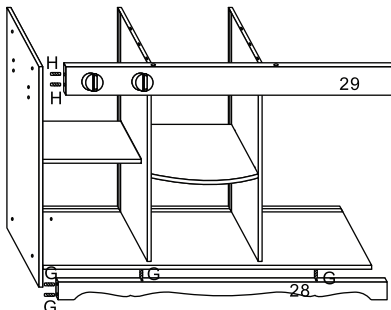
Use D screws fixed on NO.22 panel to No.18 panel.

Step 16



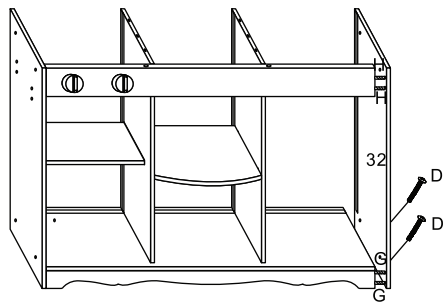
Use D screws fixed on No.19 panel to No.18 and No.20 panel.

Step 17



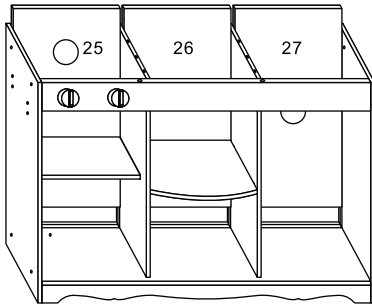
Insert H(wooden dowel) to No.28 and No.29 panel joint to No.20 panel.

Step 18



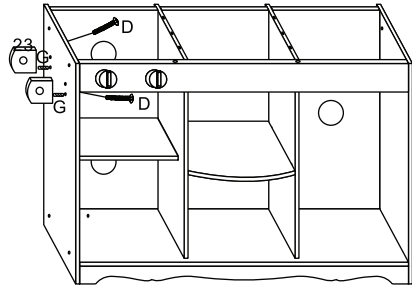
Use D screws fixed on No.32 panel to No.20 panel.

Step 19



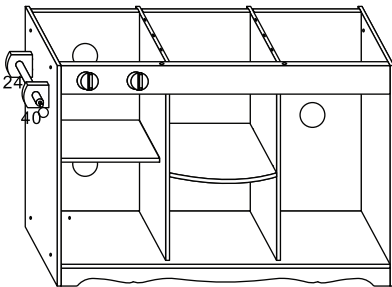
Insert No.25.26.27 panel to backside.

Step 20



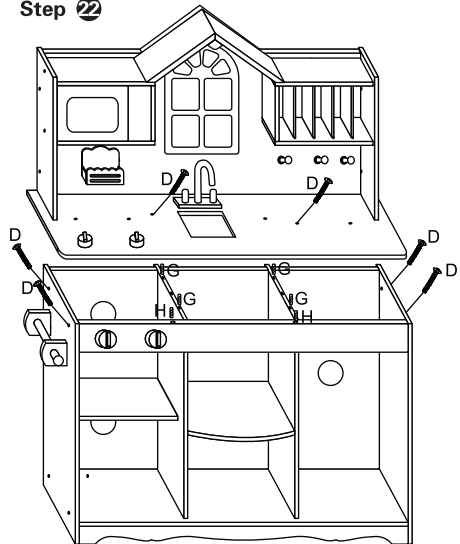
Insert G(wooden dowel) to No.23 panel, use D screws fixed on No.17 panel.

Step 21



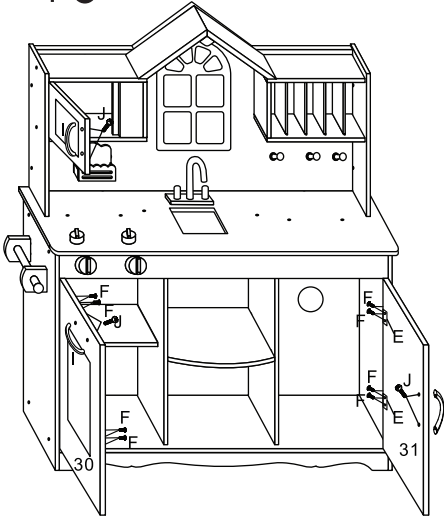
Insert No.24(bar) to No.23 panel use No.40 round screw to lock it.

Step 22



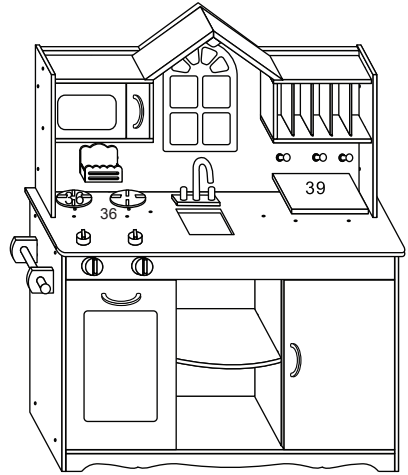
Insert G(wooden dowel) to No.18 and No.19 panel, use D screws fixed on the kitchen.

Step 23



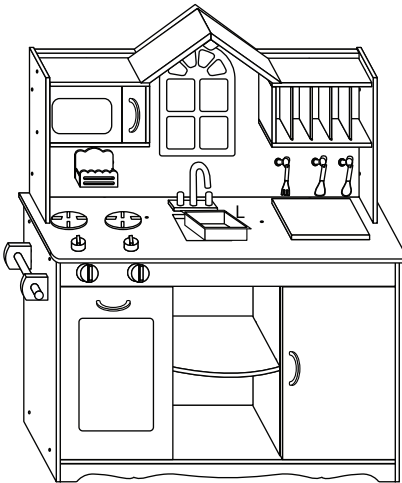
Use j screws fixed handles on No.7,30,31 panels, use E screws fixed F(hinges) on door and side board.

Step 24



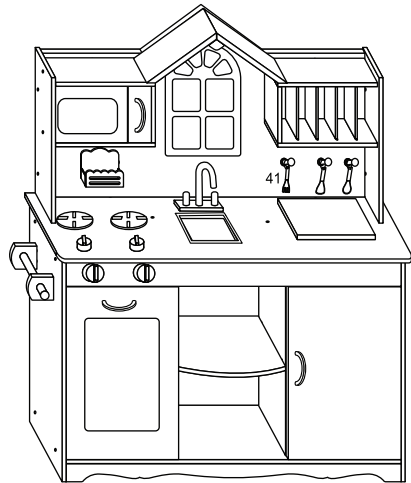
Insert No.36 and No.39 on counter-table.

Step 25



Put L (sink) in counter-table.

Step 26



Hangs the No.41 (forks) on kitchen finished the kitchen assembly.

Welcome to visit our website and purchase our quality products!

Your suggestions and comments for COSTWAY are really important to us!
We sincerely solicit you to go back to our shop and leave a good rating in just a simple click. It would be quite encouraging if you could kindly do so like below:

★★★★★ Great products so far

February 24, 2019

Great products so far. Fast delivery, easy setup, and working without any issues.

With your inspiring rating, COSTWAY will be more consistent to offer you EASY SHOPPING EXPERIENCE, GOOD PRODUCTS and EFFICIENT SERVICE!

US office: Fontana, California

UK office: Ipswich



- * Reward Points
- * Exclusive Customer Service
- * Personalized Recommendations
- * Permanent Shopping Cart
- * Order History

5 Star Rating



We would like to extend our heartfelt thanks to all of our customers for taking time to assemble this product and giving us valuable feedbacks.

THANK
YOU
☺

