

#### Features

- 33-inch minimum base cabinet width.
- Acid-resistant enamel finish.
- Tile-in or metal frame installation.
- Double (equal) compartment.
- Three faucet holes with one accessory hole to the right.
- 32" (813 mm) x 21" (533 mm)

#### Material

- KOHLER® enameled cast iron.

#### Recommended Accessories

- K-9000 P-Trap
- K-6539 Drainboard with Sink Rack
- K-6377 Sponge Caddy
- K-6378 Kitchen Brush Caddy
- K-6379 Kitchen Squeegee

#### Optional Accessories

- K-6601 Metal Frame
- K-8801 Sink Strainer



#### Codes/Standards





ASME A112.19.1/CSA B45.2

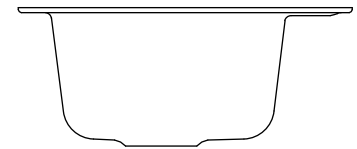
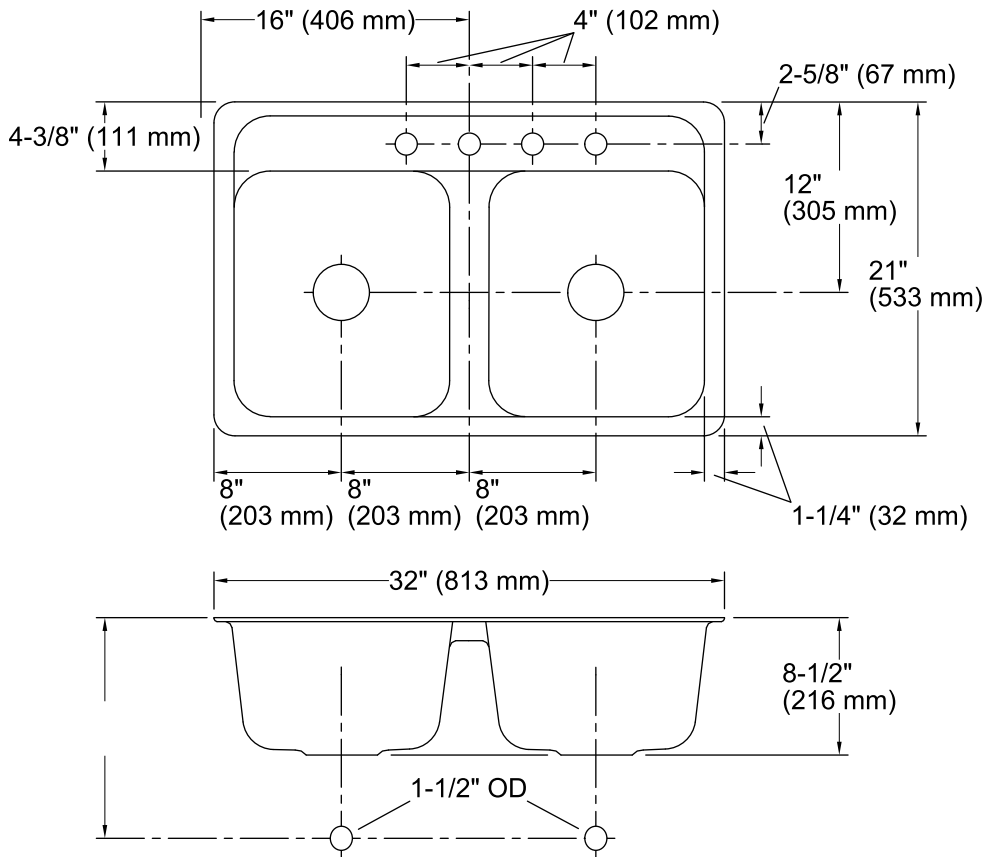
#### KOHLER® Enameled Cast Iron Kitchen Sink Lifetime Limited Warranty

See website for detailed warranty information.

#### Available Color/Finishes

*Color tiles intended for reference only.*

Color	Code	Description
	0	White
	96	Biscuit
	47	Almond
	7	Black Black™



## Technical Information

All product dimensions are nominal.

- Bowl configuration: Double equal  
 Installation: Tile-in/Flush-mount  
 Bowl area (Left): Length: 14" (356 mm)  
 Width: 15" (381 mm)  
 Bowl depth: 8" (203 mm)  
 Bowl area (Right): Length: 14" (356 mm)  
 Width: 15" (381 mm)  
 Bowl depth: 8" (203 mm)  
 Number of deck holes: 4  
 Faucet hole(s): 1-3/8" (35 mm)  
 Drain hole: 1-1/2" (38 mm)

## Notes

Install this product according to the installation instructions.