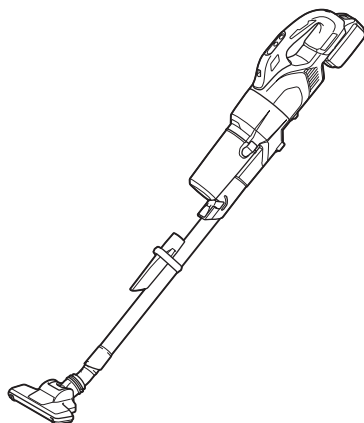


**INSTRUCTION MANUAL
MANUAL DE INSTRUCCIONES**



Cordless Cleaner Aspiradora Inalámbrica

XLC11



IMPORTANT: Read Before Using.

IMPORTANTE: Lea antes de usar.

SPECIFICATIONS

| | | |
|---|-----------------------|------------------------------|
| Model: | | XLC11 |
| Capacity | | 250 mL |
| Continuous use (with battery BL1830B) | 1 (Quiet mode) | Approx. 38 min |
| | 2 (Normal speed mode) | Approx. 21 min |
| | 3 (High speed mode) | Approx. 15 min |
| | 4 (Max speed mode) | Approx. 8 min |
| Overall length (with pipe, nozzle, and battery BL1830B) | | 1,106 mm (43-1/2") |
| Rated voltage | | D.C. 18 V |
| Net weight | | 1.6 - 2.0 kg (3.5 - 4.4 lbs) |

- Due to our continuing program of research and development, the specifications herein are subject to change without notice.
- Specifications may differ from country to country.
- The weight does not include accessories but battery cartridge(s). The lightest and heaviest combination weight of the appliance and battery cartridge(s) are shown in the table.

Applicable battery cartridge and charger

| | |
|-------------------|---|
| Battery cartridge | BL1815N / BL1820B / BL1830B / BL1840B / BL1850B / BL1860B |
| Charger | DC18RC / DC18RD / DC18RE / DC18SD / DC18SE / DC18SF / DC18SH / DC18WC |

- Some of the battery cartridges and chargers listed above may not be available depending on your region of residence.

⚠WARNING: Only use the battery cartridges and chargers listed above. Use of any other battery cartridges and chargers may cause injury and/or fire.

SAFETY WARNINGS

IMPORTANT SAFETY INSTRUCTIONS

When using an electrical appliance, basic precautions should always be followed, including the following:

**READ ALL
INSTRUCTIONS
BEFORE USING
THIS APPLIANCE.**

WARNING

To reduce the risk of fire, electric shock or injury:

1. **Do not leave appliance when battery fitted. Remove battery from appliance when not in use and before servicing.**
2. **Do not use on wet surfaces. Do not expose to rain. Store indoors.**
3. **Do not allow to be used as a toy. Close attention is necessary when used by or near children.**
4. **Use only as described in this manual. Use only manufacturer's recommended attachments.**
5. **Do not use with damaged battery. If appliance is not working as it should, has been dropped, damaged, left outdoors, or dropped into water, return it to a service center.**

6. **Do not handle appliance with wet hands.**
7. **Do not put any object into openings. Do not use with any opening blocked; keep free of dust, lint, hair, and anything that may reduce air flow.**
8. **Keep hair, loose clothing, fingers, and all parts of body away from openings and moving parts.**
9. **Turn off all controls before removing the battery cartridge.**
10. **Use extra care when cleaning on stairs.**
11. **Do not use to pick up flammable or combustible liquids, such as gasoline, or use in areas where they may be present.**
12. **Do not pick up anything that is burning or smoking, such as cigarettes, matches, or hot ashes.**
13. **Do not use without dust bag and/or filters in place.**
14. **Do not charge the battery outdoors.**
15. **Prevent unintentional starting. Ensure the switch is in the off-position before connecting to battery pack, picking up or carrying the appliance.** Carrying the appliance with your finger on the switch or energizing appliance that have the switch on invites accidents.
16. **Disconnect the battery pack from the appliance before making any adjustments, changing accessories, or storing appliance.** Such preventive safety measures reduce the risk of starting the appliance accidentally.
17. **Recharge only with the charger specified by the manufacturer.** A charger that is suitable for one type of battery pack may create a risk of fire when used with another battery pack.
18. **Use appliances only with specifically designated battery packs.** Use of any other battery packs may create a risk of injury and fire.
19. **When battery pack is not in use, keep it away from other metal objects, like paper clips, coins, keys, nails, screws or other small metal objects, that can make a connection from one terminal to another.** Shorting the battery terminals together may cause burns or a fire.
20. **Under abusive conditions, liquid may be ejected from the battery; avoid contact. If contact accidentally occurs, flush with water. If liquid contacts eyes, additionally seek medical help.** Liquid ejected from the battery may cause irritation or burns.
21. **Do not use a battery pack or appliance that is damaged or modified. Damaged or modified batteries may exhibit unpredictable behaviour resulting in fire, explosion or risk of injury.**
22. **Do not expose a battery pack or appliance to fire or excessive temperature. Exposure to fire or temperature above 130 °C may cause explosion.**
23. **Follow all charging instructions and do not charge the battery pack or appliance outside of the temperature range specified in the instructions.** Charging improperly or at temperatures outside of the specified range may damage the battery and increase the risk of fire.
24. **Have servicing performed by a qualified repair person using only identical replacement parts.** This will ensure that the safety of the product is maintained.
25. **Do not modify or attempt to repair the appliance or the battery pack except as indicated in the instructions for use and care.**

SAVE THESE INSTRUCTIONS. ADDITIONAL SAFETY RULES

This appliance is intended for commercial use.

1. **Read this instruction manual and the charger instruction manual carefully before use.**

2. **Do not pick up the following materials:**

- Hot substances that are burning or smoking (cigarettes, matches, incense sticks, candles, hot ashes), sparks and metal dust generated by cutting or grinding metal, etc.
- Flammable liquid (kerosene, gasoline, solvents such as benzine, thinner, etc.)
- Flammable material (toner, paint, spray, etc.)
- Explosive or pyrophoric substances (nitroglycerin, aluminum, magnesium, titanium, zinc, red phosphorus, yellow phosphorus, celluloid, etc. and their dust, gas or steam)
- Liquid, oil, wet dirt or damp garbage, including vomit and excreta
- Hard pieces with sharp edges (wood chips, metals, stones, glasses, nails, pins, razors or cutlery)
- Solidifying and conductive fine powder (metal or carbon powder)
- Foam like carpet cleaning agent, etc. (they may cause explosion or fire)
- Large amount of powder (flour, fire extinguisher powder, etc.)
- Substances that cause toxic symptoms
- Aggressive chemicals (acid, alkali, etc.)
- Fine binding powder such as cement
- Fine particle like concrete dust
- Desiccants
- Asbestos
- Pesticides

Such action may cause fire, injury and/or property damage.

To reduce your exposure to these chemicals, always wear approved respiratory protection such as dust masks that are specially designed to filter out microscopic particles. Direct the exhaust air away from your face and body.

3. **Stop operation immediately if you notice anything abnormal.**

4. If you drop or strike the cleaner, check it carefully for cracks or damage before operation.
5. Do not bring close to stoves or other heat sources.
6. Do not block the intake hole or vent holes.

SAVE THESE INSTRUCTIONS.

Symbols

The followings show the symbols used for tool.

| | |
|---|----------------|
| v | volts |
| ⋯ | direct current |

Important safety instructions for battery cartridge

1. Before using battery cartridge, read all instructions and cautionary markings on (1) battery charger, (2) battery, and (3) product using battery.
2. Do not disassemble or tamper with the battery cartridge. It may result in a fire, excessive heat, or explosion.
3. If operating time has become excessively shorter, stop operating immediately. It may result in a risk of overheating, possible burns and even an explosion.
4. If electrolyte gets into your eyes, rinse them out with clear water and seek medical attention right away. It may result in loss of your eyesight.
5. Do not short the battery cartridge:
 - (1) Do not touch the terminals with any conductive material.
 - (2) Avoid storing battery cartridge in a container with other metal objects such as nails, coins, etc.
 - (3) Do not expose battery cartridge to water or rain.

- A battery short can cause a large current flow, overheating, possible burns and even a breakdown.
6. **Do not store and use the tool and battery cartridge in locations where the temperature may reach or exceed 50 °C (122 °F).**
 7. **Do not incinerate the battery cartridge even if it is severely damaged or is completely worn out. The battery cartridge can explode in a fire.**
 8. **Do not nail, cut, crush, throw, drop the battery cartridge, or hit against a hard object to the battery cartridge.** Such conduct may result in a fire, excessive heat, or explosion.
 9. **Do not use a damaged battery.**
 10. **The contained lithium-ion batteries are subject to the Dangerous Goods Legislation requirements.** For commercial transports e.g. by third parties, forwarding agents, special requirement on packaging and labeling must be observed. For preparation of the item being shipped, consulting an expert for hazardous material is required. **Please also observe possibly more detailed national regulations.** Tape or mask off open contacts and pack up the battery in such a manner that it cannot move around in the packaging.
 11. **When disposing the battery cartridge, remove it from the tool and dispose of it in a safe place. Follow your local regulations relating to disposal of battery.**
 12. **Use the batteries only with the products specified by Makita.** Installing the batteries to non-compliant products may result in a fire, excessive heat, explosion, or leak of electrolyte.
 13. **If the tool is not used for a long period of time, the battery must be removed from the tool.**
 14. **During and after use, the battery cartridge may take on heat which can cause burns or low temperature burns. Pay attention to the handling of hot battery cartridges.**
 15. **Do not touch the terminal of the tool immediately after use as it may get hot enough to cause burns.**
 16. **Do not allow chips, dust, or soil stuck into the terminals, holes, and grooves of the battery cartridge.** It may cause heating, catching fire, burst and malfunction of the tool or battery cartridge, resulting in burns or personal injury.
 17. **Unless the tool supports the use near high-voltage electrical power lines, do not use the battery cartridge near a high-voltage electrical power lines.** It may result in a malfunction or breakdown of the tool or battery cartridge.
 18. **Keep the battery away from children.**

SAVE THESE INSTRUCTIONS.

⚠ CAUTION: Only use genuine Makita batteries. Use of non-genuine Makita batteries, or batteries that have been altered, may result in the battery bursting causing fires, personal injury and damage. It will also void the Makita warranty for the Makita tool and charger.

Tips for maintaining maximum battery life

1. **Charge the battery cartridge before completely discharged. Always stop tool operation and charge the battery cartridge when you notice less tool power.**
2. **Never recharge a fully charged battery cartridge. Overcharging shortens the battery service life.**
3. **Charge the battery cartridge with room temperature at 10 °C - 40 °C (50 °F - 104 °F). Let a hot battery cartridge cool down before charging it.**
4. **When not using the battery cartridge, remove it from the tool or the charger.**
5. **Charge the battery cartridge if you do not use it for a long period (more than six months).**

FUNCTIONAL DESCRIPTION

CAUTION: Always be sure that the tool is switched off and the battery cartridge is removed before adjusting or checking function on the tool.

CAUTION: Take care not to trap finger(s) between cleaner and battery as shown in diagram when loading battery. Trapping finger(s) may cause injury.

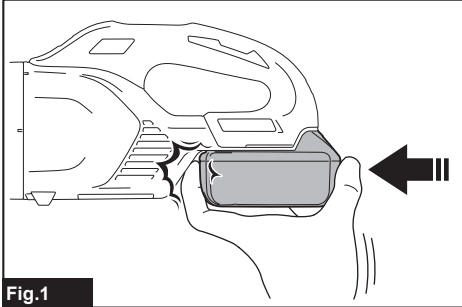


Fig.1

Installing or removing battery cartridge

CAUTION: Always switch off the tool before installing or removing of the battery cartridge.

CAUTION: Hold the tool and the battery cartridge firmly when installing or removing battery cartridge. Failure to hold the tool and the battery cartridge firmly may cause them to slip off your hands and result in damage to the tool and battery cartridge and a personal injury.

To remove the battery cartridge, slide it from the tool while sliding the button on the front of the cartridge.

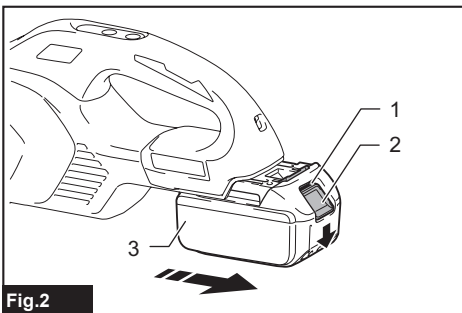


Fig.2

► 1. Red indicator 2. Button 3. Battery cartridge

To install the battery cartridge, align the tongue on the battery cartridge with the groove in the housing and slip it into place. Insert it all the way until it locks in place with a little click. If you can see the red indicator as shown in the figure, it is not locked completely.

CAUTION: Always install the battery cartridge fully until the red indicator cannot be seen. If not, it may accidentally fall out of the tool, causing injury to you or someone around you.

CAUTION: Do not install the battery cartridge forcibly. If the cartridge does not slide in easily, it is not being inserted correctly.

Tool / battery protection system

The tool is equipped with tool/battery protection system. This system automatically cuts off power to the motor to extend tool and battery life. The tool will automatically stop during operation if the tool or battery is placed under one of the following conditions.

Overloaded:

The tool/battery is operated in a manner that causes it to draw an abnormally high current. In this situation, turn the tool off and stop the application that caused the tool to become overloaded. Then turn the tool on to restart.

Overheated:

The tool/battery is overheated. In this situation, let the tool/battery cool before turning the tool on again.

Low battery voltage:

The remaining battery capacity is too low and the tool will not operate. In this situation, remove and recharge the battery.

Protections against other causes:

Protection system is also designed for other causes that could damage the tool and allows the tool to stop automatically. Take all the following steps to clear the causes, when the tool has been brought to a temporary halt or stop in operation.

1. Turn the tool off, and then turn it on again to restart.
2. Charge the battery(ies) or replace it/them with recharged battery(ies).
3. Let the tool and battery(ies) cool down.

If no improvement can be found by restoring protection system, then contact your local Makita Service Center.

Indicating the remaining battery capacity

Only for battery cartridges with the indicator

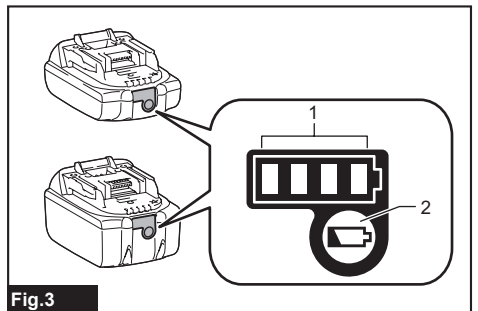


Fig.3

► 1. Indicator lamps 2. Check button

Press the check button on the battery cartridge to indicate the remaining battery capacity. The indicator lamps light up for a few seconds.

| Indicator lamps | | | Remaining capacity |
|-----------------|---------|----------|-------------------------------------|
| Lighted | Off | Blinking | |
| ■ | □ | ▧ | 75% to 100% |
| ■ ■ ■ ■ | | | 50% to 75% |
| ■ ■ | □ □ | | 25% to 50% |
| ■ | □ □ □ □ | | 0% to 25% |
| ▧ | □ □ □ □ | | Charge the battery. |
| ■ ■ □ □ | ↑ ↓ | ■ ■ | The battery may have malfunctioned. |

NOTE: Depending on the conditions of use and the ambient temperature, the indication may differ slightly from the actual capacity.

NOTE: The first (far left) indicator lamp will blink when the battery protection system works.

Switch action

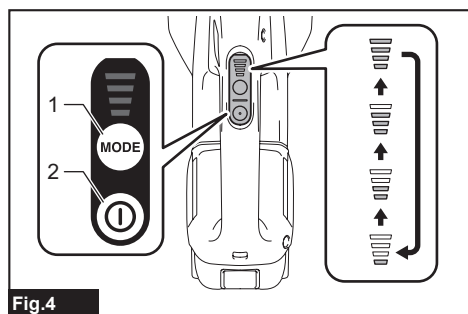


Fig.4

- 1. Suction power change button 2. ON/OFF button

To start the cleaner, simply push the ON/OFF button. To switch off, push the ON/OFF button again. You can change the suction power of the cleaner in four steps by pushing the suction power change button. Each push on this button repeats the Quiet/Normal/High/Max mode in a cycle.

| Level | Indication | Mode |
|-------|------------|-------------------|
| 1 | ▮ | Quiet mode |
| 2 | ▮▮ | Normal speed mode |
| 3 | ▮▮▮ | High speed mode |
| 4 | ▮▮▮▮ | Max speed mode |

NOTE: You can change the suction power before turning on the cleaner.

NOTE: The cleaner starts the operation with the same suction power as the last operation.

Lighting up the lamp

CAUTION: Do not look in the light or see the source of light directly.

To turn on the lamp, push the suction power change button. The lamp goes off in approximately 10 seconds. While the cleaner is running, the lamp turns on. The lamp goes out approximately 10 seconds after stopping operation.

NOTE: When the remaining battery capacity gets low, the lamp starts blinking. The timing, at which the lamp starts blinking depends on the temperature at work place and the battery cartridge conditions.

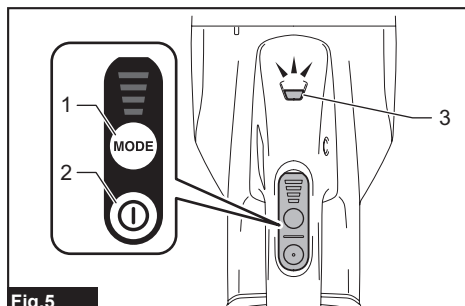


Fig.5

- 1. Suction power change button 2. ON/OFF button 3. Lamp

PARTS DESCRIPTION

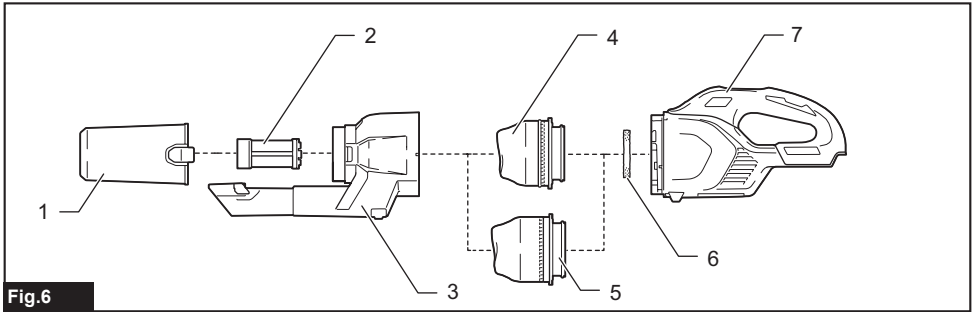


Fig.6

| | | | | | | | |
|---|--|---|--------------|---|--------------|---|--|
| 1 | 250 mL dust case | 2 | Mesh filter | 3 | Cyclone body | 4 | High performance filter (Filter frame in gray color) |
| 5 | HEPA filter (Filter frame in white color) (Optional accessory) | 6 | Sponge sheet | 7 | Cleaner body | - | - |

ASSEMBLY

CAUTION: Always be sure that the tool is switched off and the battery cartridge is removed before carrying out any work on the tool.

NOTICE: Make sure all the attachments and components are secured in place properly before use.

Installing and removing cleaner attachments

CAUTION: After installing attachments, check if they are securely installed. If the attachments are installed imperfectly, they may come off and cause personal injury.

CAUTION: Be careful not to hit your hand on the wall etc. when removing the attachments.

When using attachment with lock function

To install attachment, insert it to the suction inlet of the cleaner until it clicks. Make sure that the attachment is locked.

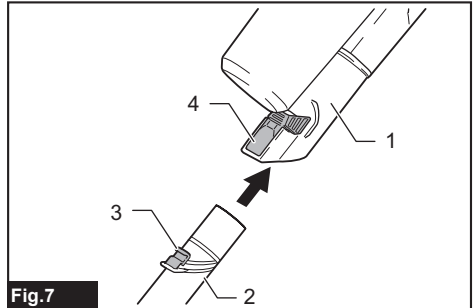


Fig.7

- ▶ 1. Suction inlet 2. Attachment with lock function
- 3. Hook 4. Release button

NOTICE: When installing the attachment with lock function, be sure to align the release button on the cleaner with the hook on the attachment. If they are not aligned, the attachment will not be locked and may come off from the cleaner.

To remove attachment, pull it off the cleaner while pressing and holding the arms of the release button.

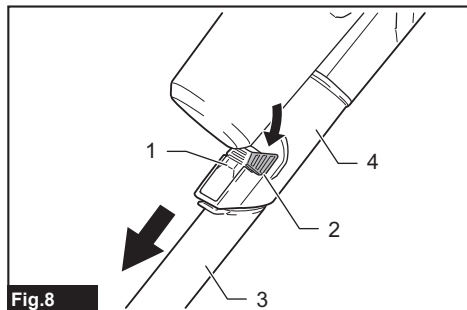


Fig.8

- ▶ 1. Release button 2. Arm of release button
- 3. Attachment with lock function 4. Suction inlet

When using attachment without lock function

NOTICE: To install attachment without lock function, insert it into the suction inlet of the cleaner by twisting it as shown in the figure. To detach attachment, release it from the cleaner by twisting it as shown in the figure. Avoid twisting the attachment in the direction opposite to the arrow in the figure as it may loosen the cyclone unit.

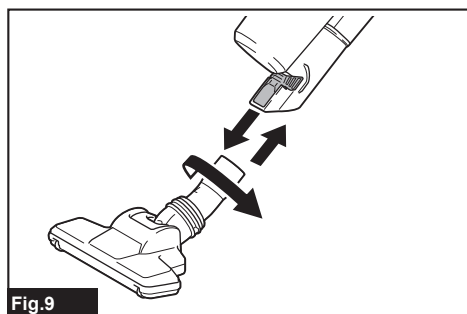


Fig.9

OPERATION

CAUTION: Do not move your face close to the air vent when operating the cleaner. If foreign objects are blown into eyes, it may result in personal injury.

NOTICE: Avoid using the cleaner in a horizontal or upward facing position. It may otherwise cause the mesh filter to become clogged.

NOTICE: Always use the cleaner with filters installed. Using the cleaner without filters may result in a motor malfunction.

NOTICE: Empty the dust case in the cyclone unit when dust has accumulated. Continuing use will result in weakened suction force.

The cyclone unit helps reduce the amount of dust that enters into the cleaner, enhancing the suction performance with simple and easy dust disposing.

Cleaning (Suction)

Nozzle

Attach the nozzle to clean off tables, desks, furniture, etc. The nozzle slips on easily.

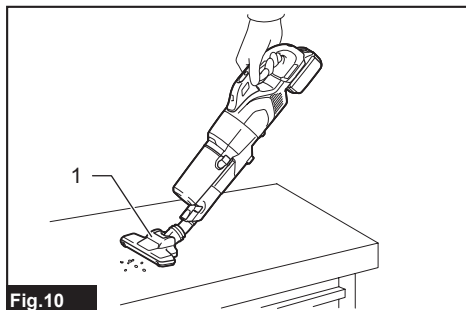


Fig.10

- ▶ 1. Nozzle

Nozzle + Extension wand (Straight pipe)

The extension wand fits in between the nozzle and the cleaner itself. This arrangement is convenient for cleaning a floor in a standing position.

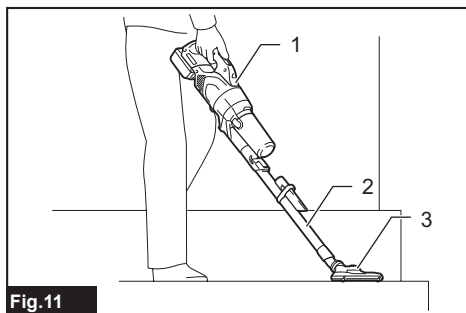


Fig.11

- ▶ 1. Cleaner body 2. Extension wand (Straight pipe)
- 3. Nozzle

Sash nozzle

Fit on the sash nozzle for cleaning corners and crevices of a car or furniture.

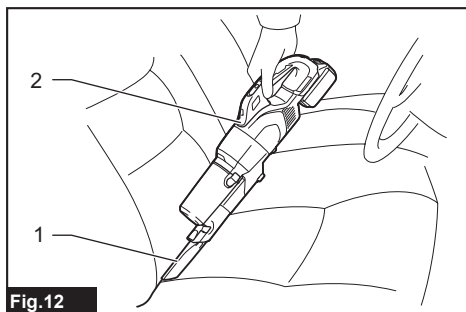


Fig.12

- ▶ 1. Sash nozzle 2. Cleaner body

You can store the sash nozzle in the nozzle holder.

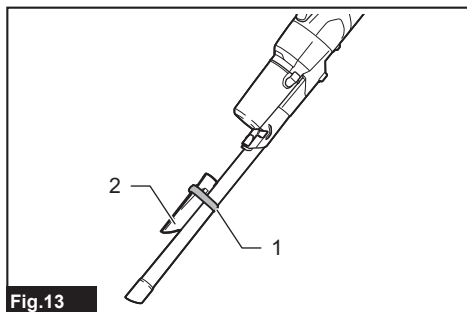


Fig.13

- 1. Nozzle holder 2. Sash nozzle

CAUTION: Be careful not to trap finger(s) between the sash nozzle and the nozzle holder. Trapping finger(s) may cause injury.

Sash nozzle + Extension wand (Straight pipe)

In tight quarters where the cleaner itself cannot squeeze in, or in high places hard to reach, use this arrangement.

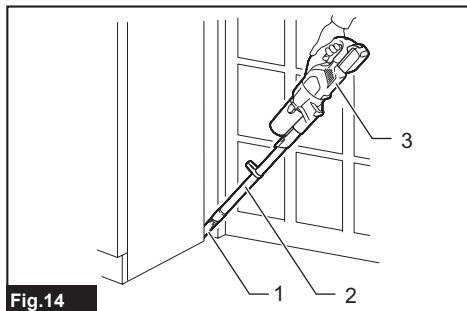


Fig.14

- 1. Sash nozzle 2. Extension wand (Straight pipe)
3. Cleaner body

Cleaning without nozzle

You can pick up powder and dust without nozzle.

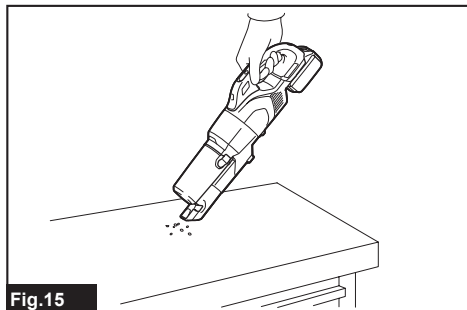


Fig.15

For picking up dust on a floor in a standing position, it is convenient to attach the extension wand to the cleaner.

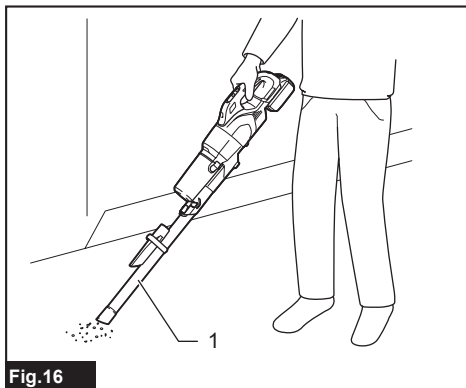


Fig.16

- 1. Extension wand (Straight pipe)

Disposing of dust

CAUTION: Empty the dust case before it becomes too full, or the suction force weakens.

CAUTION: Be careful not to trap finger(s) between the dust case and cyclone body when reassembling.

Dispose of accumulated dust as follows before it exceeds the dust disposal line.

1. Point the cleaner head downwards, hold the dust case firmly, and then pull it apart from the cyclone body while pressing and holding the release buttons on both sides of the dust case.

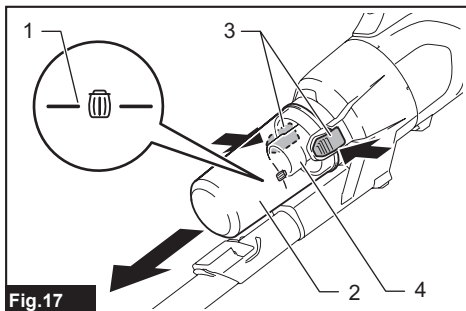


Fig.17

- 1. Dust disposal line 2. Dust case 3. Release buttons 4. Mesh filter

- Empty the dust case and clean the adhered dust off the mesh filter.

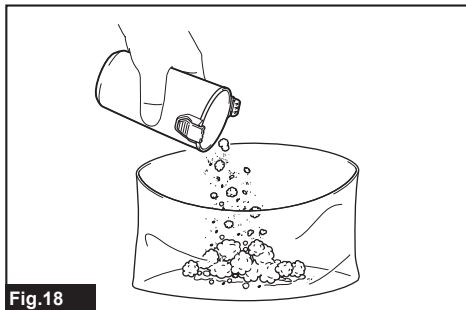


Fig.18

- Place the dust case back onto the cyclone body to secure it in place with clicks.

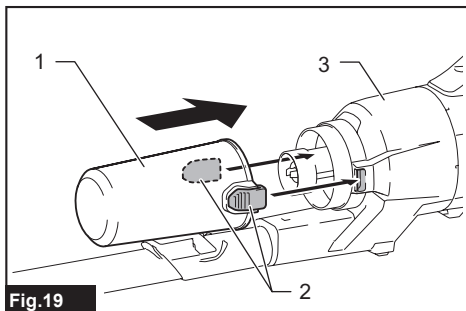


Fig.19

- 1. Dust case 2. Release buttons 3. Cyclone body

CAUTION: The dust may fly up when disposed out of the dust case. Be careful not to let the dust get into your eyes.

NOTICE: When the dust case becomes dirty, remove and wash it with water. Dry the dust case thoroughly before reassembly and use.

NOTICE: Make sure all the attachments and components are secured in place properly before use.

NOTICE: If the suction force does not recover even after disposing of the dust and cleaning the mesh filter, check whether dust has accumulated inside the cyclone body or clogging has occurred.

MAINTENANCE

CAUTION: Always be sure that the tool is switched off and the battery cartridge is removed before attempting to perform inspection or maintenance.

NOTICE: Never use gasoline, benzine, thinner, alcohol or the like. Discoloration, deformation or cracks may result.

To maintain product SAFETY and RELIABILITY, repairs, any other maintenance or adjustment should be performed by Makita Authorized or Factory Service Centers, always using Makita replacement parts.

After use

CAUTION: Putting the cleaner against the wall without any other support may cause the cleaner to fall down, resulting in personal injury or damage to the cleaner.

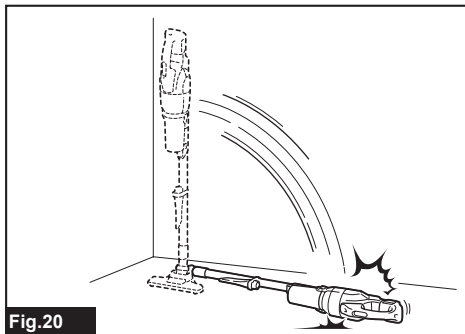


Fig.20

Regular maintenance

NOTICE: Clean the filters in the cyclone unit when they become clogged. Continuing use in the clogged condition may result in heating or motor malfunction.

NOTICE: Do not blow dust sticking on the cleaner and filters by air duster. It brings dust into the housing and causes failure.

Routine maintenance is required to restore normal operating conditions.

Cleaner body

Wipe off the outside (cleaner body) of the cleaner using a cloth dampened in soapy water, and clean out the suction openings.

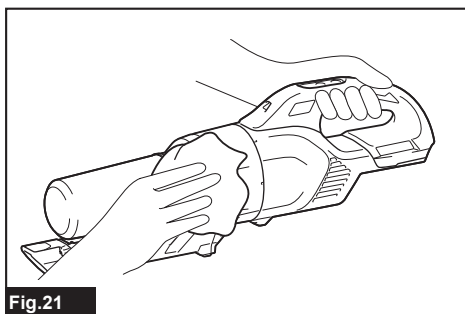


Fig.21

Cyclone unit and filters

NOTICE: Dust off and clean out inside the cyclone unit and filters, when suction performance becomes less effective regardless of the amount of dust collected in the dust case.

NOTICE: After washing filters, dry them thoroughly before use. Insufficiently dried filters may cause poor suction and shorten the service life of the motor.

NOTICE: After cleaning filters and sponge sheet, be sure to re-install them before use. If you use the cleaner without filters and sponge sheet, dust comes into the motor housing and causes malfunction.

Cyclone unit

1. Tap the cyclone unit several times with your hand to remove dust adhering to the inner surface of the cyclone unit and filter.

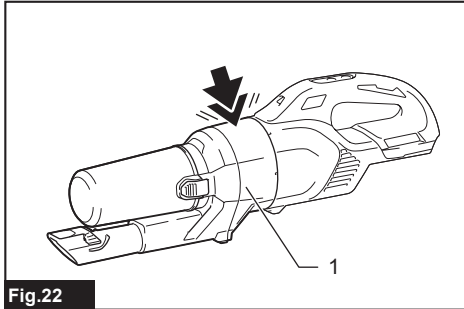


Fig.22

► 1. Cyclone unit

2. With the suction inlet pointing downwards, turn the cyclone unit as shown in the figure aligning the pointer on the cyclone unit with that on the cleaner body to disengage the lock. Then detach the cyclone unit from the cleaner body slowly and straightly.

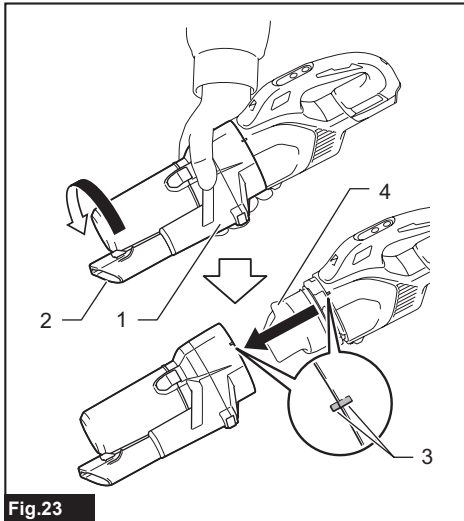


Fig.23

► 1. Cyclone unit 2. Suction inlet 3. Pointers 4. Filter

NOTE: Dust may fly out when the cyclone unit is disassembled. It is recommended to place a garbage bag underneath the cyclone unit.

3. Dust off inside the cyclone unit and filter.

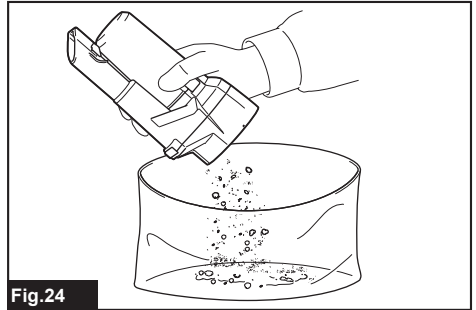


Fig.24

4. Place the cyclone unit back onto the cleaner body, aligning the pointer on the cyclone unit with that on the cleaner body. Then turn the cyclone unit as shown in the figure until it is secured in place.

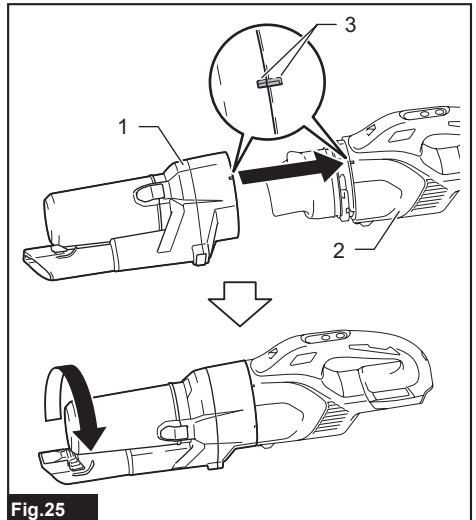


Fig.25

► 1. Cyclone unit 2. Cleaner body 3. Pointers

High performance filter

1. Disassemble the cyclone unit from the cleaner body.
2. Hold the mounting end of high performance filter and pull it apart from the cleaner body.

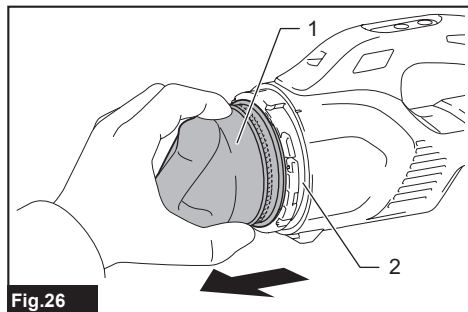


Fig.26

- 1. High performance filter 2. Cleaner body

3. Wipe and shake dust off the high performance filter by hand.



Fig.27

4. Wash the high performance filter in soapy water when it is clogged with dust and dirt. Dry it out thoroughly in the shade before use.

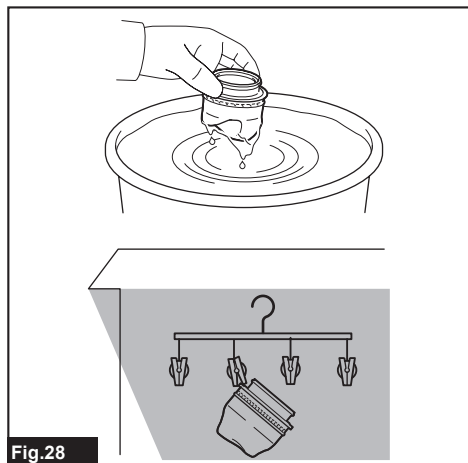


Fig.28

NOTE: Avoid fastening the attachment end (rubber sealing ring) of high performance filter when hanging it up for drying.

5. Hold the mounting end of high performance filter and squeeze it back into the cleaner body.

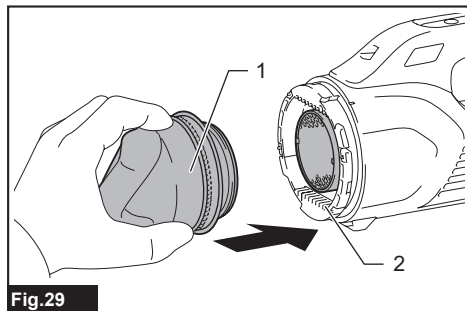


Fig.29

- 1. High performance filter 2. Cleaner body

HEPA filter

Optional accessory

NOTICE: Do not rub or scratch the HEPA filter with hard objects such as a brush and a paddle.

1. Disassemble the cyclone unit from the cleaner body.
2. Hold the mounting end of HEPA filter (covered with high performance prefilter) and pull it apart from the cleaner body.

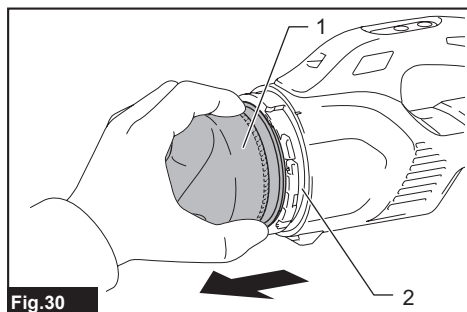


Fig.30

- 1. HEPA filter (covered with high performance prefilter) 2. Cleaner body

3. Disassemble the high performance prefilter from the HEPA filter by hand twisting.

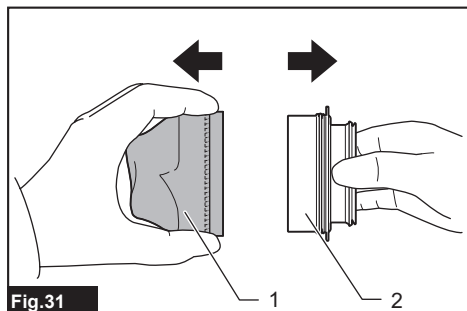


Fig.31

- 1. High performance prefilter 2. HEPA filter

4. Wipe and shake dust off the high performance prefilter and HEPA filter by hand.

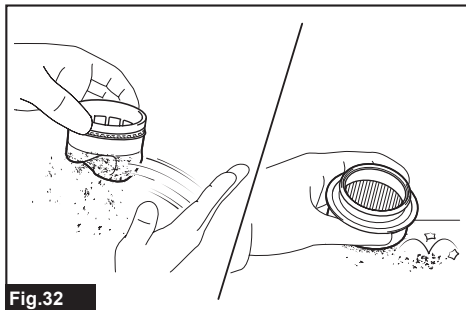


Fig.32

5. Wash the high performance prefilter and HEPA filter in soapy water. Rinse and dry them thoroughly in the shade before use.

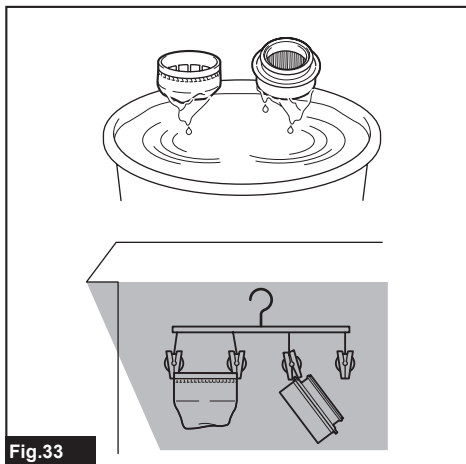


Fig.33

NOTE: Avoid fastening the attachment end (rubber sealing ring) of HEPA filter when hanging it up for drying.

6. Attach the high performance prefilter onto the HEPA filter.

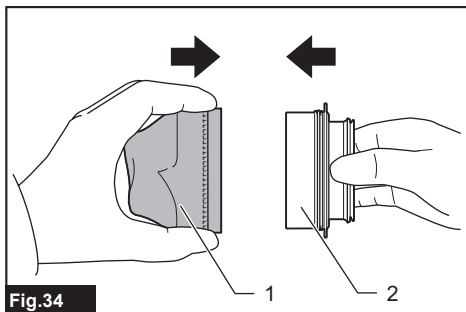


Fig.34

1. High performance prefilter 2. HEPA filter

7. Hold the mounting end of HEPA filter (covered with high performance prefilter) and squeeze it back into the cleaner body.

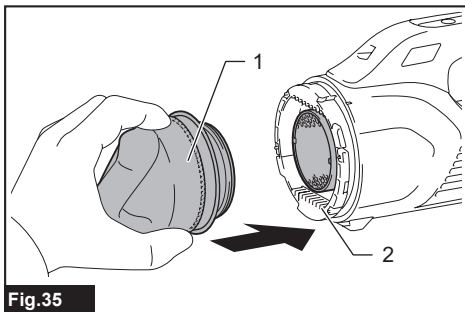


Fig.35

1. HEPA filter (covered with the high performance prefilter) 2. Cleaner body

Sponge sheet

1. Disassemble the cyclone unit from the cleaner body.
2. Hold the mounting end of filter and pull it apart from the cleaner body.

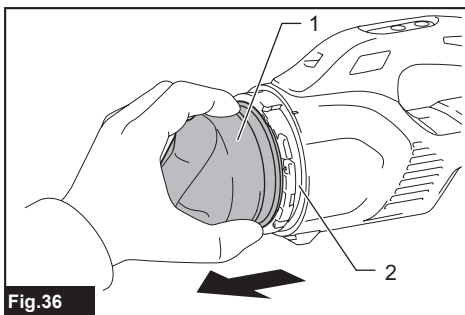


Fig.36

1. Filter 2. Cleaner body

3. Pull the sponge sheet off from the suction opening.

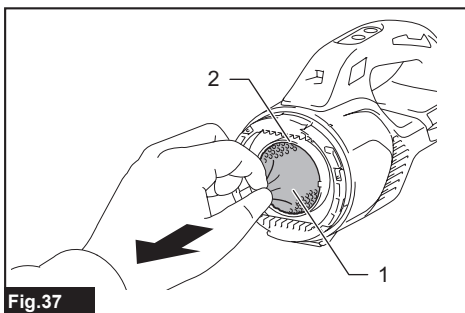


Fig.37

1. Sponge sheet 2. Suction opening

4. Wipe and shake dust off the sponge sheet by hand.

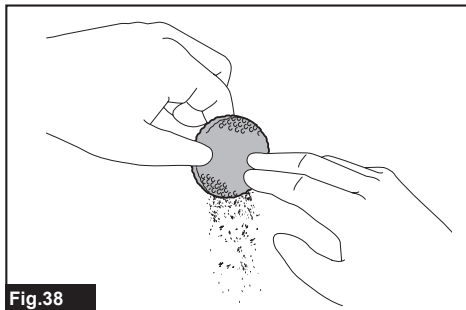


Fig.38

5. Wash the sponge sheet in soapy water when it is clogged with dust and dirt. Dry it out thoroughly in the shade before use.

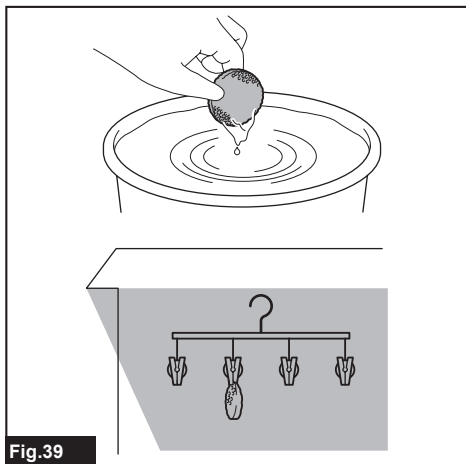


Fig.39

6. Place the sponge sheet back in the original position. Make sure that the left and right edges of the sponge sheet are secured with stoppers and no gap between the sponge sheet and suction opening.

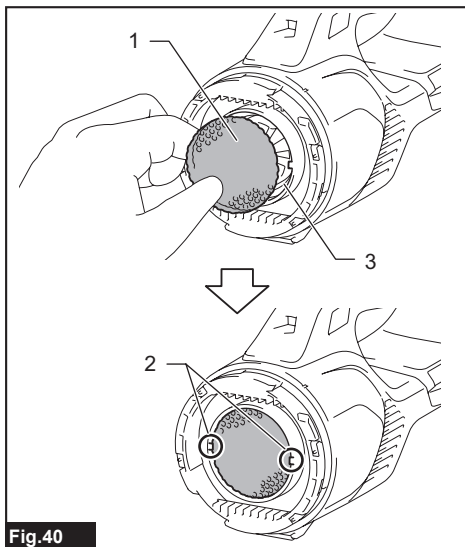


Fig.40

- 1. Sponge sheet 2. Stopper 3. Suction opening

7. Hold the mounting end of filter and squeeze it back into the cleaner body.

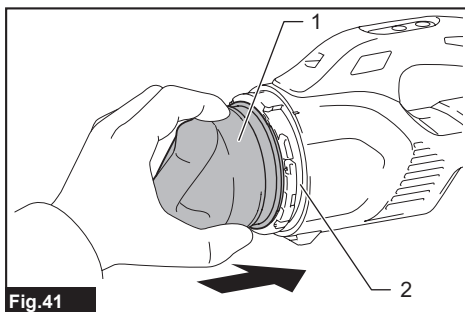


Fig.41

- 1. Filter 2. Cleaner body

Condition-based maintenance

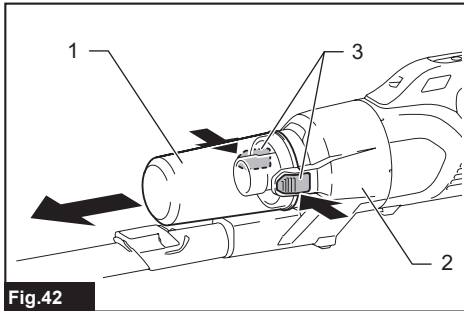
NOTICE: Clean the mesh filter in the cyclone unit when they become clogged. Continuing use in the clogged condition may result in heating or motor malfunction.

Deep and spot cleaning needs to be carried out according to your tool performance.

Mesh filter

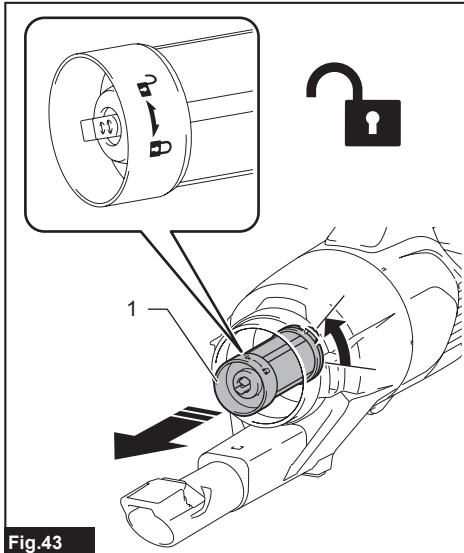
Clean up the mesh filter placed in the cyclone unit when no suggested improvement on suction performance has been found after completing regular maintenance.

1. Hold the dust case firmly and pull it apart from the cyclone body while pressing and holding the release buttons on both sides of the dust case.



► 1. Dust case 2. Cyclone body 3. Release buttons

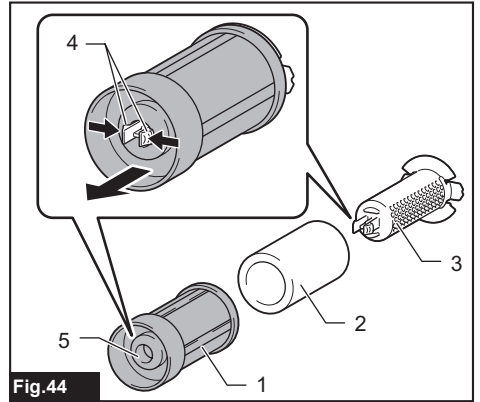
2. Turn the mesh filter as shown in the figure to disengage the lock. Then detach it from the cyclone body.



► 1. Mesh filter

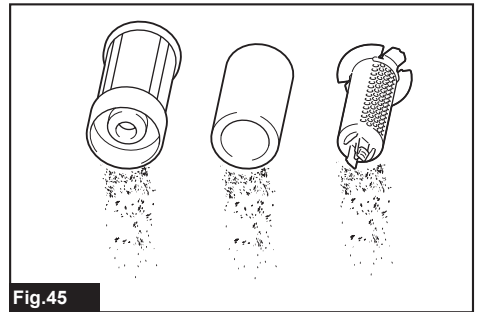
3. Disassemble the mesh filter into three components: prefilter, tubular sponge filter and mesh pipe.

- i Squeeze the guide stoppers on top of the mesh pipe together.
- ii Pass the guide stoppers down through the guide hole on top of the prefilter.
- iii Pull the prefilter along the tubular sponge filter and mesh pipe.
- iv Remove the tubular sponge filter from the mesh pipe.



► 1. Prefilter 2. Tubular sponge filter 3. Mesh pipe
4. Guide stoppers 5. Guide hole

4. Wipe and shake dust off the filters and mesh pipe by hand.



5. Wash the filters and mesh pipe in soapy water when they are clogged with dust and dirt. Dry them out thoroughly in the shade before use.

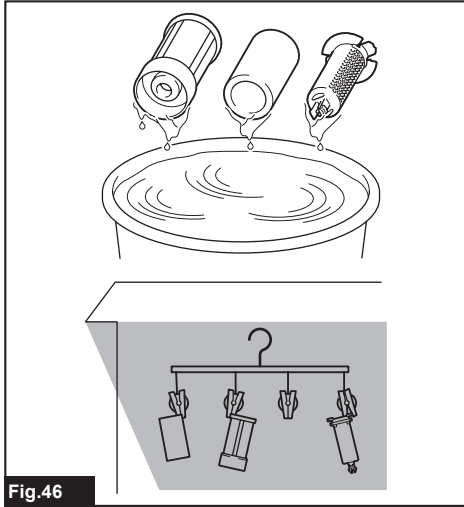


Fig.46

6. Reassemble the mesh filter.

- i Insert the tubular sponge filter into the prefilter.
- ii Insert the mesh pipe into the tubular sponge filter and prefilter, passing the guide stoppers on top of the mesh pipe through the guide hole on top of the prefilter.
- iii Push the mesh pipe through the tubular sponge filter and prefilter until it lock in place with a click.

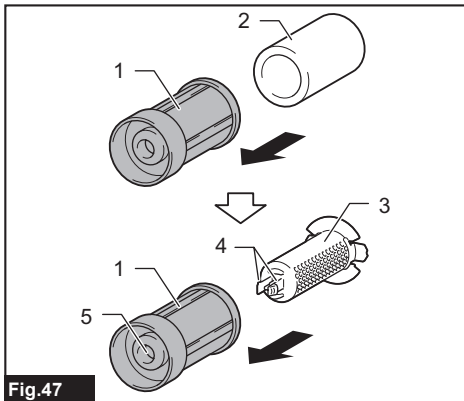


Fig.47

- ▶ 1. Prefilter 2. Tubular sponge filter 3. Mesh pipe
- 4. Guide stoppers 5. Guide hole

7. Attach the mesh filter back into the cyclone body aligning the hooks on the mesh filter with the ports on the suction outlet of the cyclone body. Turn the mesh filter as shown in the figure until the hooks are locked with a click. Make sure that the mesh filter is installed securely.

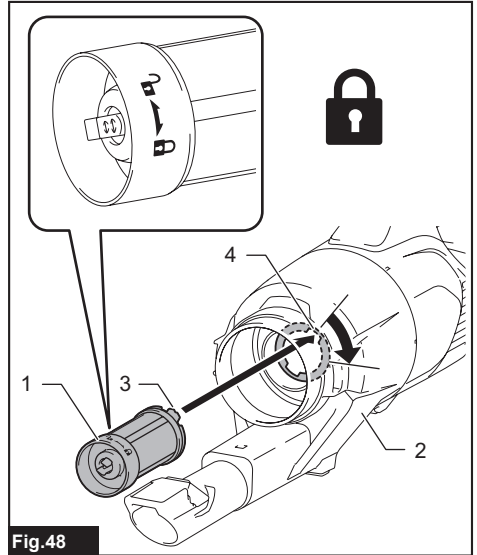


Fig.48

- ▶ 1. Mesh filter 2. Cyclone body 3. Hook 4. Port

Air channels in cyclone unit

Incoming foreign substance may block the air channels in the cyclone unit and laden air flows. Remove any obstacles in the air path if the suction performance is being affected remarkably.

- 1. Disassemble the cyclone unit into three components: dust case, mesh filter and cyclone body.

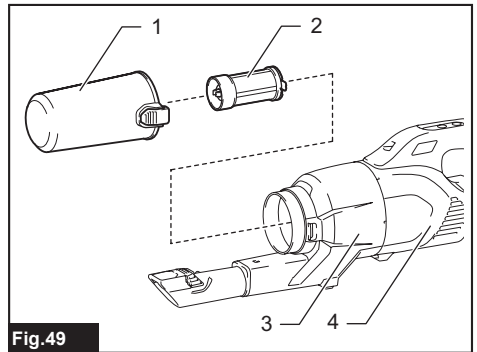


Fig.49

- ▶ 1. Dust case 2. Mesh filter 3. Cyclone body
- 4. Cleaner body

2. Press and hold the guide stopper on the inlet pipe down through the locking hole on the cyclone body using the hand tool with a point. Then detach the inlet pipe from the cyclone body.

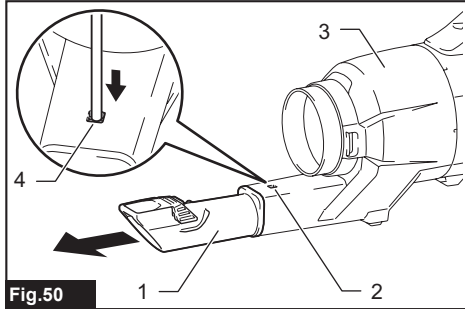


Fig.50

► 1. Inlet pipe 2. Guide stopper 3. Cyclone body
4. Locking hole

3. Clean off any substance found in the air channels.

Foreign substance is likely to get stuck around an incoming air port.

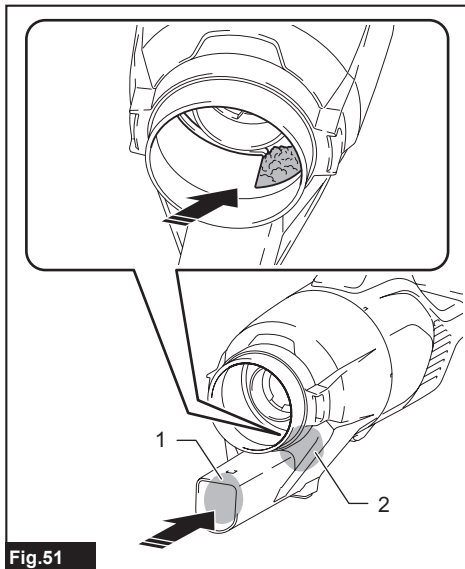


Fig.51

► 1. Suction inlet 2. Incoming air port

4. Insert the inlet pipe back in place until it is securely locked.

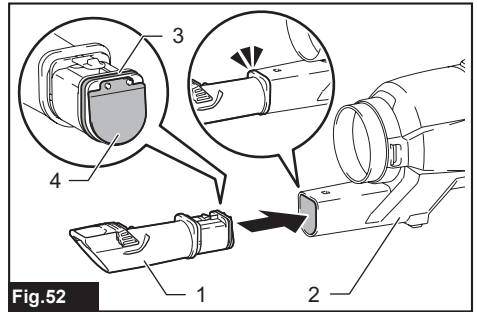


Fig.52

► 1. Inlet pipe 2. Cyclone body 3. O-ring 4. Flap valve

NOTICE: Be sure that the O-ring and flap valve are securely in place before reassembly. Suction performance can be affected if the cyclone unit is operated without the O-ring and flap valve in place.

5. Reassemble the cyclone unit, and attach it onto the cleaner body.

Troubleshooting

Before asking for repairs, check the following points.

| Symptom | Area to be investigated | Fixing method |
|---------------------|---|---|
| Weak suction power | Is dust case or inside cyclone unit full of dust? | Empty dust case or inside cyclone unit. |
| | Are filters clogged? | Dust down or wash high performance filter/HEPA filter/sponge sheet/mesh filter. |
| | Anything to block incoming air channels? | Clean any dust and objects out of air openings and channels. |
| | Is battery cartridge discharged? | Charge battery cartridge. |
| Not working | Is battery cartridge discharged? | Charge battery cartridge. |
| Noise and vibration | Are filters clogged? | Dust down or wash high performance filter/HEPA filter/sponge sheet/mesh filter. |
| | Anything to block openings or holes? | Clean any dust and objects out of nozzles, pipes and air openings. |
| | Is suction inlet of nozzle or pipe closed? | Uncover and open suction inlet of nozzle and pipe. |

⚠ CAUTION: Do not attempt to repair the cleaner by yourself.

OPTIONAL ACCESSORIES

⚠ CAUTION: These accessories or attachments are recommended for use with your Makita tool specified in this manual. The use of any other accessories or attachments might present a risk of injury to persons. Only use accessory or attachment for its stated purpose.

If you need any assistance for more details regarding these accessories, ask your local Makita Service Center.

- Extension wand (Straight pipe)
- Nozzle
- Nozzle for carpet
- Shelf brush
- Sash nozzle
- Round brush
- Flexible hose
- High performance filter
- HEPA filter
- Seat nozzle
- Crevice nozzle
- Cyclone unit
- Tool bag
- Makita genuine battery and charger

NOTE: Some items in the list may be included in the tool package as standard accessories. They may differ from country to country.

MAKITA LIMITED WARRANTY

Please refer to the annexed warranty sheet for the most current warranty terms applicable to this product. If annexed warranty sheet is not available, refer to the warranty details set forth at below website for your respective country.

United States of America: www.makitatools.com

Canada: www.makita.ca

Other countries: www.makita.com

ESPECIFICACIONES

| | | |
|---|---------------------------|-------------------------------------|
| Modelo: | | XLC11 |
| Capacidad | | 250 ml |
| Uso continuo (con batería BL1830B) | 1 (Modo silencioso) | Aprox. 38 min |
| | 2 (Modo velocidad normal) | Aprox. 21 min |
| | 3 (Modo velocidad alta) | Aprox. 15 min |
| | 4 (Modo velocidad máxima) | Aprox. 8 min |
| Longitud total (con tubo, boquilla y batería BL1830B) | | 1 106 mm (43-1/2") |
| Tensión nominal | | 18 V c.c. |
| Peso neto | | 1,6 kg - 2,0 kg (3,5 lbs - 4,4 lbs) |

- Debido a nuestro continuo programa de investigación y desarrollo, las especificaciones aquí incluidas están sujetas a cambio sin previo aviso.
- Las especificaciones pueden variar de país a país.
- El peso incluye el o los cartuchos de batería, pero no los accesorios. La combinación de menor y mayor peso del aparato y del o los cartuchos de batería se muestra en la tabla.

Cartucho de batería y cargador aplicables

| | |
|---------------------|---|
| Cartucho de batería | BL1815N / BL1820B / BL1830B / BL1840B / BL1850B / BL1860B |
| Cargador | DC18RC / DC18RD / DC18RE / DC18SD / DC18SE / DC18SF / DC18SH / DC18WC |

- Algunos de los cartuchos de batería y cargadores enumerados arriba podrían no estar disponibles dependiendo de su área de residencia.

⚠ ADVERTENCIA: Use únicamente los cartuchos de batería y los cargadores indicados arriba. El uso de cualquier otro cartucho de batería y cargador podría ocasionar una lesión y/o un incendio.

ADVERTENCIAS DE SEGURIDAD

INSTRUCCIONES IMPORTANTES DE SEGURIDAD

Al usar cualquier aparato eléctrico, siempre deben seguirse las precauciones básicas, incluyendo las siguientes:

GUARDE ESTAS INSTRUCCIONES.

ADVERTENCIA

Para reducir el riesgo de incendio, descarga eléctrica o lesión:

1. No deje el aparato con la batería puesta. Retire la batería del aparato cuando no lo vaya a utilizar y antes de dar servicio de mantenimiento.
2. No lo utilice sobre superficies húmedas. No lo exponga a la lluvia. Almacénelo en interiores.
3. No permita que sea utilizado como un juguete. Supervise de cerca cuando lo utilicen niños o se utilice cerca de ellos.
4. Utilícelo solamente como se describe en este manual. Sólo use aditamentos recomendados por el fabricante.

5. **No lo utilice con una batería dañada. Si el aparato no está funcionando como debiera, se ha dejado caer, se ha dañado, se ha dejado a la intemperie o ha caído sobre agua, llévelo a un centro de servicio.**
6. **No manipule el aparato con las manos mojadas.**
7. **No introduzca ningún objeto en las aberturas. No lo utilice con ninguna abertura bloqueada; manténgalo libre de polvo, pelusa, cabello y cualquier objeto que pueda reducir el flujo de aire.**
8. **Mantenga el cabello, la ropa holgada, los dedos y todas las partes del cuerpo lejos de las aberturas y piezas móviles.**
9. **Apague todos los controles antes de retirar el cartucho de batería.**
10. **Tenga especial cuidado cuando limpie en escaleras.**
11. **No lo utilice para recoger líquidos inflamables o combustibles, tal como gasolina, ni en áreas donde puedan estar presentes.**
12. **No recoja nada que se esté quemando o desprenda humo, tal como cigarros, fósforos o cenizas calientes.**
13. **No lo utilice sin la bolsa recolectora de polvo y/o los filtros colocados en su lugar.**
14. **No cargue la batería en exteriores.**
15. **Evite una puesta en marcha accidental. Asegúrese de que el interruptor esté en la posición apagada antes de conectar el paquete de baterías, levantar el aparato o cargarlo. Cargar el aparato con su dedo en el interruptor o pasar energía al aparato con el interruptor encendido pueden propiciar accidentes.**
16. **Desconecte el paquete de baterías del aparato antes de hacer cualquier ajuste, cambiar accesorios o almacenar el aparato. Estas medidas de seguridad preventivas reducen el riesgo de poner en marcha el aparato accidentalmente.**
17. **Recargue sólo con el cargador especificado por el fabricante. Un cargador que es adecuado para un solo tipo de paquete de baterías puede generar riesgo de incendio al ser utilizado con otro paquete de baterías.**
18. **Use los aparatos únicamente con los paquetes de baterías designados específicamente para ellos. El uso de otros paquetes de baterías puede generar riesgo de lesiones e incendio.**
19. **Cuando no se esté usando el paquete de baterías, guárdelo lejos de otros objetos metálicos tales como sujetapapeles (clips), monedas, llaves, clavos, tornillos u otros objetos metálicos pequeños que puedan crear una conexión entre una terminal y otra. Ocasionar un cortocircuito en las terminales de la batería puede provocar quemaduras o incendios.**
20. **En condiciones de mal uso, podría escapar líquido de la batería; evite tocarlo. Si lo toca accidentalmente, enjuague con agua. Si el líquido entra en contacto con los ojos, solicite adicionalmente atención médica. El líquido expulsado de la batería puede causar irritación o quemaduras.**
21. **No utilice un paquete de baterías o aparato que esté dañado o haya sido modificado. Las baterías dañadas o modificadas podrían comportarse de manera impredecible causando un incendio, explosión o riesgo de lesión.**
22. **No exponga un paquete de baterías o aparato al fuego o a una temperatura excesiva. La exposición al fuego a una temperatura superior a 130 °C podría causar una explosión.**
23. **Siga todas las instrucciones relativas a la carga y no cargue el paquete de baterías o el aparato fuera del rango de temperatura especificado en las instrucciones. Cargar de manera inapropiada o a temperaturas fuera del rango especificado podría dañar la batería e incrementar el riesgo de incendio.**

24. Pida que el servicio lo realice un técnico en reparaciones calificado y que utilice únicamente piezas de repuesto idénticas a las originales. Esto garantizará que se mantenga la seguridad del producto.
25. No modifique ni intente reparar el aparato ni el paquete de baterías salvo como se indique en las instrucciones para el uso y cuidado.

GUARDE ESTAS INSTRUCCIONES.

REGLAS DE SEGURIDAD ADICIONALES

Este aparato está diseñado para uso comercial.

1. Lea cuidadosamente este manual de instrucciones y el manual de instrucciones del cargador antes de usar el aparato.
2. No recoja los siguientes materiales:
 - Sustancias calientes que están ardiendo o echando humo (cigarrillos, cerillas, palitos de incienso, velas, cenizas calientes), chispas y polvo metálico generados por el corte o el lijado de metales, etc.
 - Líquidos inflamables (queroseno, gasolina, disolventes como bencina, diluyentes, etc.)
 - Materiales inflamables (tóner, pinturas, aerosoles, etc.)
 - Sustancias explosivas o pirofóricas (nitroglicerina, aluminio, magnesio, titanio, zinc, fósforo rojo, fósforo amarillo, celuloide, etc., y su polvo, gases o vapores)
 - Líquido, aceite, suciedad mojada o basura húmeda, incluyendo vómitos y heces
 - Piezas duras con bordes filosos (astillas de madera, metales, piedras, vidrios, clavos, alfileres, navajas o cuchillería)

- Polvo fino conductor y solidificante (polvo metálico o de carbono)
- Espumas, como limpiadores de alfombras, etc. (pueden causar explosiones o incendios)
- Grandes cantidades de polvo (harina, polvo de extintor de incendios, etc.)
- Sustancias que causan síntomas tóxicos
- Productos químicos agresivos (ácidos, alcalinos, etc.)
- Polvo aglutinante fino, como el cemento
- Partículas diminutas como las del polvo de concreto
- Desecantes
- Asbesto
- Pesticidas

Tal acción podría ocasionar un incendio, lesiones o daños materiales.

Para reducir la exposición a estas sustancias químicas, siempre utilice un equipo de protección respiratoria aprobado, tal como las máscaras contra polvo que están especialmente diseñadas para filtrar partículas microscópicas. No apunte la salida de aire a la cara y al cuerpo.

3. Detenga la operación de inmediato si nota algo anormal.
4. Si deja caer o golpea la aspiradora, verifique cuidadosamente si hay grietas o daños antes de la operación.
5. No la acerque a estufas ni a otras fuentes de calor.
6. No obstruya el orificio de flujo de entrada ni los orificios de ventilación.
7. Este aparato no se destina para utilizarse por personas (incluyendo niños) cuyas capacidades físicas, sensoriales o mentales sean diferentes o estén reducidas o carezcan de experiencia o de conocimiento, a menos que dichas personas reciban una supervisión o capacitación para el funcionamiento del aparato por una persona responsable de su seguridad.

8. Los niños deben supervisarse para asegurar que ellos no empleen los aparatos como juguete.

GUARDE ESTAS INSTRUCCIONES.

Símbolos

A continuación se muestran los símbolos utilizados para la herramienta.

| | |
|-------------|------------------------------|
| v | volts o voltios |
| — — — | corriente directa o continua |

Instrucciones importantes de seguridad para el cartucho de batería

1. Antes de utilizar el cartucho de batería, lea todas las instrucciones e indicaciones de precaución en el (1) el cargador de batería, (2) la batería, y (3) el producto con el que se utiliza la batería.
2. No desarme ni modifique el cartucho de batería. Podría ocurrir un incendio, calor excesivo o una explosión.
3. Si el tiempo de operación se ha acortado en exceso, deje de operar de inmediato. Podría correrse el riesgo de sobrecalentamiento, posibles quemaduras e incluso explosión.
4. En caso de que ingresen electrolitos en sus ojos, enjuáguelos bien con agua limpia y consulte de inmediato a un médico. Esto podría ocasionar pérdida de visión.
5. Evite cortocircuitar el cartucho de batería:
 - (1) No toque las terminales con ningún material conductor.
 - (2) Evite guardar el cartucho de batería en un cajón junto con otros objetos metálicos, tales como clavos, monedas, etc.
 - (3) No exponga el cartucho de batería al agua o la lluvia.

Un cortocircuito en la batería puede causar un flujo grande de corriente, sobrecalentamiento, posibles quemaduras e incluso una descompostura.
6. No guarde ni utilice la herramienta y el cartucho de batería en lugares donde la temperatura pueda alcanzar o exceder los 50 °C (122 °F).
7. Nunca incinere el cartucho de batería incluso en el caso de que esté dañado seriamente o ya no sirva en absoluto. El cartucho de batería puede explotar si se tira al fuego.
8. No clave, corte, aplaste, lance o deje caer el cartucho de batería, ni golpee un objeto sólido contra el cartucho de batería. Dicha acción podría resultar en un incendio, calor excesivo o en una explosión.
9. No use una batería dañada.
10. Las baterías de ión de litio están sujetas a los requisitos reglamentarios en materia de bienes peligrosos. Para el transporte comercial, por ej., mediante terceros o agentes de transporte, se deben tomar en cuenta los requisitos especiales relativos al empaque y el etiquetado. Para efectuar los preparativos del artículo que se va a enviar, se requiere consultar a un experto en materiales peligrosos. Si es posible, consulte además otras regulaciones nacionales más detalladas. Pegue o cubra con cinta adhesiva los contactos abiertos y empaque la batería de manera que ésta no pueda moverse dentro del paquete.
11. Para deshacerse del cartucho de batería, sáquelo de la herramienta y deséchelo en un lugar seguro. Siga las regulaciones locales relacionadas al desecho de las baterías.

12. **Utilice las baterías únicamente con los productos especificados por Makita.** Instalar las baterías en productos que no cumplen con los requisitos podría ocasionar un incendio, un calentamiento excesivo, una explosión o una fuga de electrolito.
13. **Siga las regulaciones locales relacionadas al desecho de las baterías.**
14. **El cartucho de batería podría absorber calor durante y después de su uso, lo que ocasionaría quemaduras o quemaduras a baja temperatura.** Tenga cuidado con la manipulación de los cartuchos de batería que estén calientes.
15. **No toque el terminal de la herramienta inmediatamente después de su uso, ya que el mismo podría estar lo suficientemente caliente como para provocar quemaduras.**
16. **No permita que las rebabas, el polvo o la tierra queden atrapados en los terminales, orificios y ranuras del cartucho de batería.** Podría provocar calentamiento, incendio, explosión y mal funcionamiento de la herramienta o del cartucho de batería, lo que resultaría en quemaduras o lesiones personales.
17. **No utilice el cartucho de batería cerca de cables eléctricos de alto voltaje, a menos que la herramienta sea compatible con el uso cercano a estos cables eléctricos de alto voltaje.** Esto podría ocasionar una avería o descompostura de la herramienta o del cartucho de batería.
18. **Mantenga la batería alejada de los niños.**

GUARDE ESTAS INSTRUCCIONES.

⚠️ PRECAUCIÓN: Utilice únicamente baterías originales de Makita. El uso de baterías no originales de Makita, o de baterías alteradas, puede ocasionar que las baterías exploten causando un incendio, lesiones personales y daños. Asimismo, esto invalidará la garantía de Makita para la herramienta y el cargador Makita.

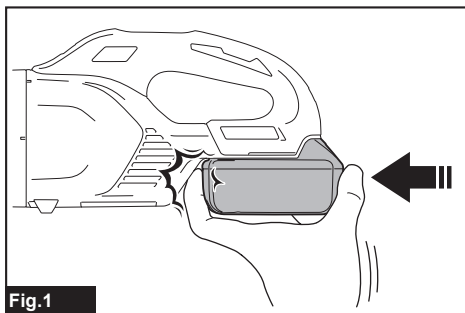
Consejos para alargar al máximo la vida útil de la batería

1. **Cargue el cartucho de batería antes de que se descargue completamente.** Pare siempre la operación y cargue el cartucho de batería cuando note menos potencia en la herramienta.
2. **No cargue nunca un cartucho de batería que esté completamente cargado.** La sobrecarga acortará la vida de servicio de la batería.
3. **Cargue el cartucho de batería a una temperatura ambiente de 10 °C - 40 °C (50 °F - 104 °F).** Si un cartucho de batería está caliente, déjelo enfriar antes de cargarlo.
4. **Cuando no utilice el cartucho de batería, sáquelo de la herramienta o del cargador.**
5. **Cargue el cartucho de batería si no va a utilizarlo durante un período prolongado (más de seis meses).**

DESCRIPCIÓN DEL FUNCIONAMIENTO

⚠️ PRECAUCIÓN: Asegúrese siempre de que la herramienta esté apagada y el cartucho de batería haya sido extraído antes de realizar cualquier ajuste o comprobación en la herramienta.

⚠️ PRECAUCIÓN: Tenga cuidado de que su(s) dedo(s) no quede(n) atrapado(s) entre la aspiradora y la batería, tal como se ilustra en el diagrama, al momento de colocar la batería. Si su(s) dedo(s) quedara(n) atrapado(s) podría(n) resultar lesionado(s).



Instalación o extracción del cartucho de batería

⚠️ PRECAUCIÓN: Apague siempre la herramienta antes de colocar o quitar el cartucho de batería.

⚠️ PRECAUCIÓN: Sujete la herramienta y el cartucho de la batería con firmeza al colocar o quitar el cartucho de batería. Si no se sujeta con firmeza la herramienta y el cartucho de batería, puede ocasionar que se resbalen de sus manos causando daños a la herramienta y al cartucho de batería, así como lesiones a la persona.

Para quitar el cartucho de batería, deslícelo de la herramienta mientras desliza el botón sobre la parte delantera del cartucho.

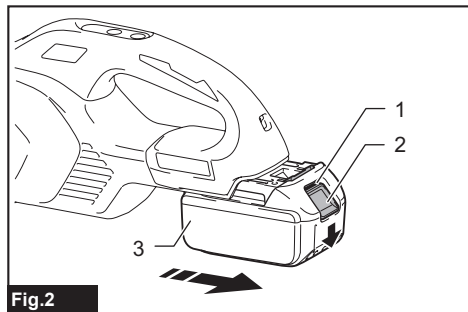


Fig.2

► 1. Indicador rojo 2. Botón 3. Cartucho de batería

Para instalar el cartucho de batería, alinee la lengüeta sobre el cartucho de batería con la ranura en la carcasa y deslícela hasta su lugar. Insértelo por completo hasta que se fije en su lugar con un pequeño clic. Si puede ver el indicador rojo como se muestra en la ilustración, este no ha quedado asegurado por completo.

⚠PRECAUCIÓN: Introduzca siempre completamente el cartucho de batería hasta que el indicador rojo no pueda verse. Si no, podría accidentalmente salirse de la herramienta y caer al suelo causando una lesión a usted o alguien a su alrededor.

⚠PRECAUCIÓN: No instale el cartucho de batería a la fuerza. Si el cartucho no se desliza al interior fácilmente, se debe a que no está siendo insertado correctamente.

Sistema de protección para la herramienta/batería

La herramienta está equipada con un sistema de protección para la herramienta/batería. Este sistema corta automáticamente la alimentación al motor para prolongar la vida de la herramienta y la batería. La herramienta se detendrá automáticamente durante la operación si la herramienta o la batería se someten a una de las siguientes condiciones.

Sobrecarga:

La herramienta/batería se utilizan de una manera que causa que se consuma una cantidad de corriente inusualmente alta.

En este caso, apague la herramienta y detenga la aplicación que causó que la herramienta se sobrecargara. Luego encienda la herramienta para reiniciarla.

Sobrecalentada:

La herramienta/batería se sobrecalientan. En este caso, permita que la herramienta/batería se enfrién antes de volver a encender la herramienta.

Bajo voltaje de la batería:

La capacidad restante de la batería es demasiado baja y la herramienta no funcionará. En este caso, extraiga la batería y vuelva a cargarla.

Protección contra otras causas:

El sistema de protección también está diseñado para otras causas que podrían dañar la herramienta, y permite que la herramienta se detenga automáticamente. Siga todos los pasos a continuación para eliminar las causas cuando la herramienta se haya detenido temporalmente o se haya detenido durante el funcionamiento.

1. Apague la herramienta, y luego enciéndala nuevamente para reiniciarla.
2. Cargue la(s) batería(s) o reemplácela(s) con batería(s) recargada(s).
3. Deje que la herramienta y la(s) batería(s) se enfrién.

Si no hay ninguna mejora al restaurar el sistema de protección, comuníquese con su centro local de servicio Makita.

Indicación de la capacidad restante de la batería

Únicamente para cartuchos de batería con el indicador

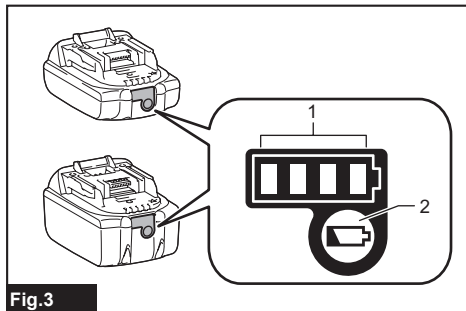


Fig.3

► 1. Luces indicadoras 2. Botón de verificación

Oprima el botón de verificación en el cartucho de la batería para que indique la capacidad restante de la batería. Las luces indicadoras se iluminarán por algunos segundos.

| Luces indicadoras | | | Capacidad restante |
|-------------------|----------|-------------|---------------------------------------|
| Iluminadas | Apagadas | Parpadeando | |
| ■ ■ ■ ■ | | | 75% a 100% |
| ■ ■ ■ □ | | | 50% a 75% |
| ■ ■ □ □ | | | 25% a 50% |
| ■ □ □ □ | | | 0% a 25% |
| ▬ □ □ □ | | | Cargar la batería. |
| ■ □ □ □ | | | La batería pudo haber funcionado mal. |
| □ □ ■ ■ | | | |

NOTA: Dependiendo de las condiciones de uso y la temperatura ambiente, la indicación podrá diferir ligeramente de la capacidad real.

NOTA: La primera luz indicadora (extrema izquierda) parpadeará cuando el sistema de protección de batería esté en funcionamiento.

Accionamiento del interruptor

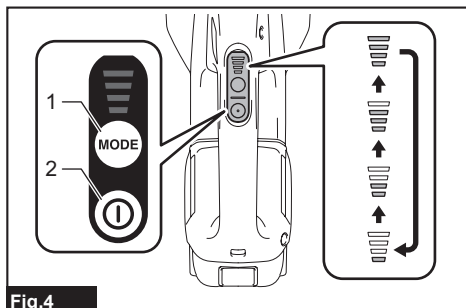


Fig.4

- 1. Botón de cambio de potencia de succión 2. Botón de encendido/apagado

Para poner en marcha la aspiradora, simplemente oprima el botón de encendido/apagado. Para apagarla, oprima el botón de encendido/apagado nuevamente. Usted puede cambiar la potencia de succión de la aspiradora en cuatro pasos presionando el botón de cambio de potencia de succión. Cada pulsación de este botón repite el modo Silencioso / Vel. normal / Vel. alta/ Vel. máxima en un ciclo.

| Nivel | Indicación | Modo |
|-------|--------------|-----------------------|
| 1 | ▬▬▬▬ | Modo silencioso |
| 2 | ▬▬▬▬▬▬ | Modo velocidad normal |
| 3 | ▬▬▬▬▬▬▬▬ | Modo velocidad alta |
| 4 | ▬▬▬▬▬▬▬▬▬▬▬▬ | Modo velocidad máxima |

NOTA: Puede cambiar la potencia de succión antes de encender la aspiradora.

NOTA: La aspiradora inicia la operación con la misma potencia de succión que la última operación.

Encendido de la lámpara

⚠PRECAUCIÓN: No mire a la luz ni vea a la fuente de luz directamente.

Para encender la lámpara, oprima el botón de cambio de potencia de succión. La lámpara se apaga en aproximadamente 10 segundos.

Mientras la aspiradora está funcionando, la lámpara estará encendida.

La lámpara se apagará aproximadamente 10 segundos después de detener la operación.

NOTA: Cuando la capacidad restante de la batería esté baja, la lámpara comenzará a parpadear. El momento en el que la lámpara comenzará a parpadear dependerá de la temperatura en el lugar de trabajo y de las condiciones del cartucho de batería.

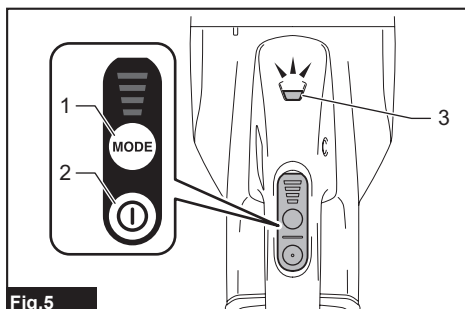


Fig.5

- 1. Botón de cambio de potencia de succión 2. Botón de encendido/apagado 3. Luz

DESCRIPCIÓN DE LAS PIEZAS

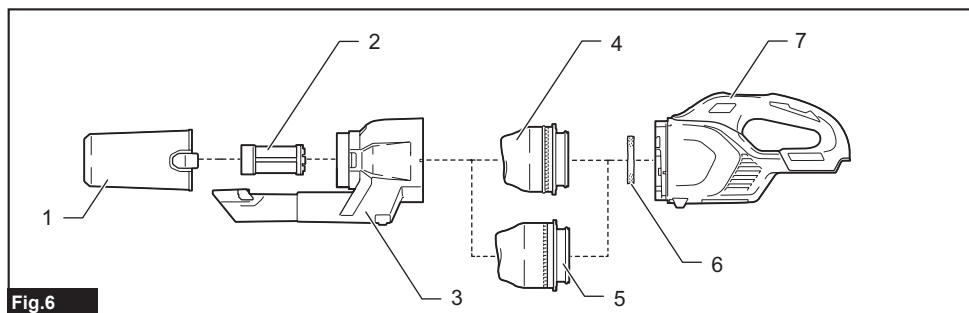


Fig.6

| | | | | | | | |
|---|--|---|-------------------|---|-------------------------|---|--|
| 1 | Caja para polvo de 250 ml | 2 | Filtro de malla | 3 | Cuerpo ciclónico | 4 | Filtro de alto rendimiento (bastidor del filtro en color gris) |
| 5 | Filtro HEPA (bastidor del filtro en color blanco) (accesorio opcional) | 6 | Lámina de esponja | 7 | Cuerpo de la aspiradora | - | - |

MONTAJE

⚠PRECAUCIÓN: Asegúrese siempre de que la herramienta esté apagada y el cartucho de batería haya sido extraído antes de realizar cualquier trabajo en la misma.

AVISO: Asegúrese de que todos los accesorios y componentes estén asegurados en su lugar correctamente antes de usarlos.

Instalación y desinstalación de los aditamentos para aspiradora

⚠PRECAUCIÓN: Después de instalar los aditamentos, verifique si están bien instalados. Si los aditamentos no están instalados perfectamente bien, estos podrían salirse y ocasionar una lesión.

⚠PRECAUCIÓN: Cuando extraiga los aditamentos, tenga cuidado de no golpear su mano contra el muro, etc.

Cuando se utiliza el aditamento con la función de bloqueo

Para instalar el aditamento, insértelo en la entrada de succión de la aspiradora hasta que haga clic. Asegúrese de que el aditamento quede asegurado.

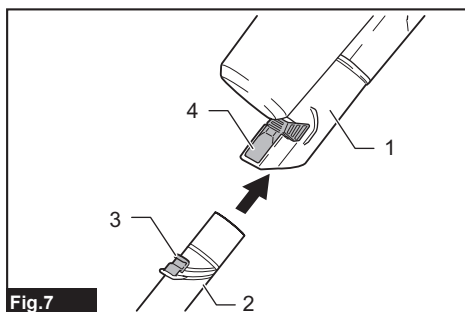


Fig.7

► 1. Entrada de succión 2. Aditamento con la función de bloqueo 3. Gancho 4. Botón de liberación

AVISO: Cuando instale el aditamento con función de bloqueo, asegúrese de alinear el botón de liberación de la aspiradora con el gancho del aditamento. Si no están alineados, el aditamento no se bloqueará y podría salirse de la aspiradora.

Para quitar el accesorio, sáquelo de la aspiradora mientras presiona y sostiene los brazos del botón de liberación.

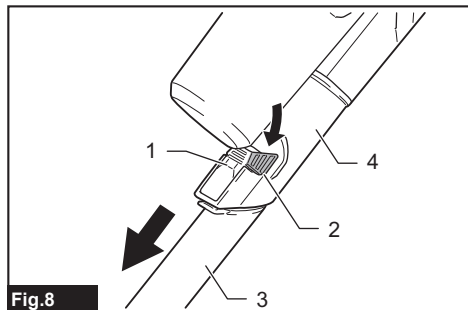


Fig.8

► 1. Botón de liberación 2. Brazo del botón de liberación 3. Aditamento con la función de bloqueo 4. Entrada de succión

Cuando se utiliza el aditamento sin la función de bloqueo

AVISO: Para instalar el accesorio sin función de bloqueo, insértelo en la entrada de succión de la aspiradora, girándolo como se muestra en la figura. Para quitar el accesorio, libérela de la aspiradora, girándolo como se muestra en la figura. Evite girar el accesorio en la dirección opuesta a la flecha en la figura, ya que podría aflojar la unidad ciclónica.

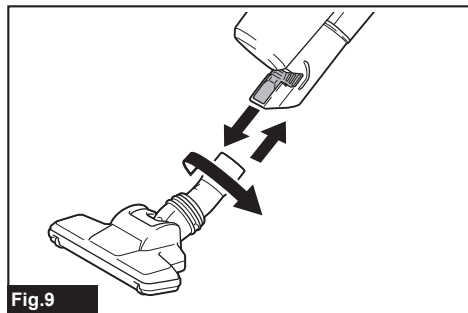


Fig.9

OPERACIÓN

⚠PRECAUCIÓN: No ponga la cara cerca de la abertura de ventilación cuando utilice la aspiradora. Si las partículas sopladadas se introducen en los ojos, podrían causar lesiones.

AVISO: Evite usar la aspiradora en posición horizontal o hacia arriba. De lo contrario, podría ocasionar que el filtro de malla se obstruya.

AVISO: Utilice siempre la aspiradora con los filtros instalados. Si se utiliza la aspiradora sin filtros, se podría ocasionar una avería del motor.

AVISO: Vacíe la caja para polvo en la unidad ciclónica cuando se haya acumulado polvo. El uso continuo en esas circunstancias debilitará la fuerza de succión.

La unidad ciclónica ayuda a reducir la cantidad de polvo que ingresa a la aspiradora, mejorando el desempeño de succión con una eliminación simple y fácil del polvo.

Aspirado (succión)

Boquilla

Coloque la boquilla para aspirar mesas, escritorios, muebles, etc. La boquilla se pone fácilmente.

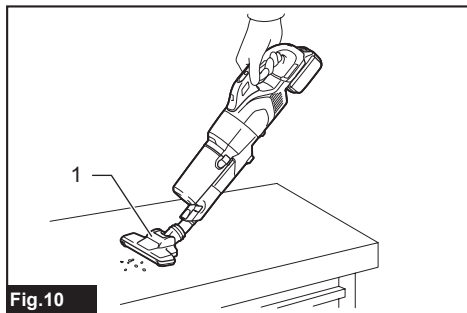


Fig.10

► 1. Boquilla

Boquilla + Tubo de extensión (tubo recto)

El tubo de extensión se coloca entre la boquilla y la aspiradora misma. Esta modalidad resulta conveniente para aspirar un piso estando de pie.

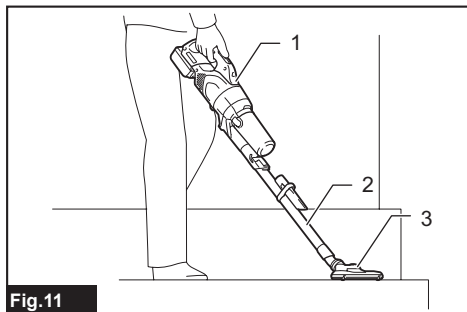


Fig.11

► 1. Cuerpo de la aspiradora 2. Tubo de extensión (tubo recto) 3. Boquilla

Boquilla para bastidores

Coloque la boquilla para bastidores para aspirar esquinas y huecos en autos y muebles.

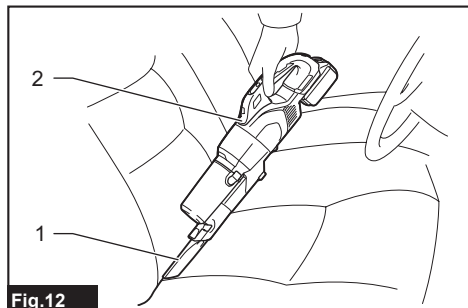


Fig.12

► 1. Boquilla para bastidores 2. Cuerpo de la aspiradora

Usted puede guardar la boquilla para bastidores en el sujetaboquillas.

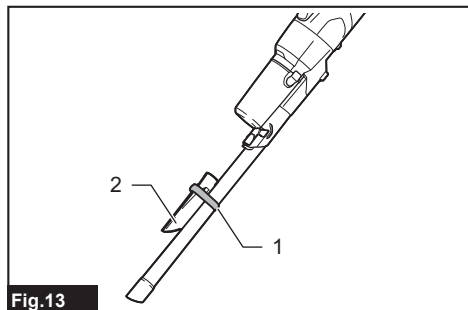


Fig.13

► 1. Sujetaboquillas 2. Boquilla para bastidores

⚠PRECAUCIÓN: Tenga cuidado de que su(s) dedo(s) no quede(n) atrapado(s) entre la boquilla para bastidores y el sujetaboquillas. Si su(s) dedo(s) quedara(n) atrapado(s) podría(n) resultar lesionado(s).

Boquilla para bastidores + tubo de extensión (tubo recto)

Utilice esta modalidad para espacios estrechos donde la misma aspiradora no quepa, o en lugares elevados difíciles de alcanzar.

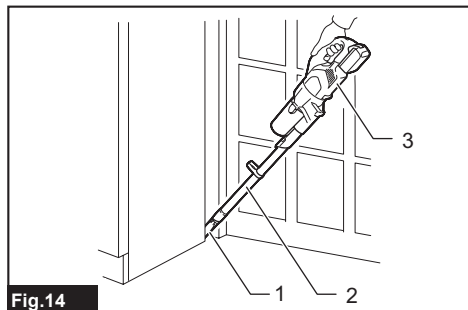


Fig.14

► 1. Boquilla para bastidores 2. Tubo de extensión (tubo recto) 3. Cuerpo de la aspiradora

Aspirado sin boquilla

Puede aspirar el polvo sin el uso de la boquilla.

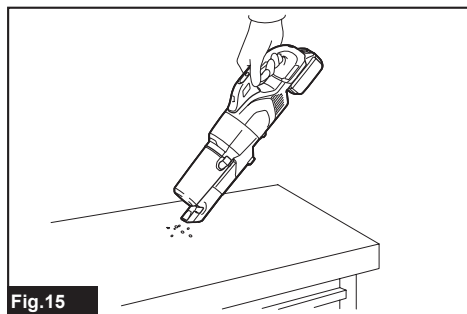


Fig.15

Para recoger polvo en un piso en posición de pie, es conveniente colocar el tubo de extensión en la aspiradora.

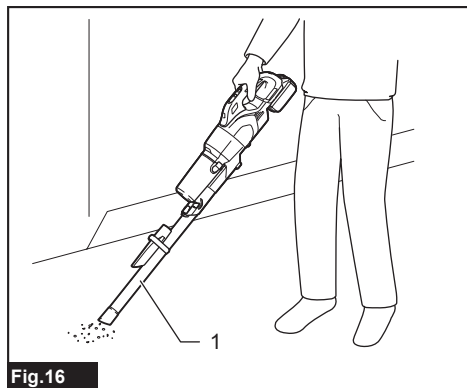


Fig.16

► 1. Tubo de extensión (tubo recto)

Eliminación del polvo

⚠PRECAUCIÓN: Vacíe la aspiradora antes de que se llene, o la fuerza de succión se debilitará.

⚠PRECAUCIÓN: Tenga cuidado de no pillarse los dedos entre la caja para polvo y el cuerpo ciclónico cuando vuelva a ensamblarla.

Deseche el polvo acumulado de la siguiente manera, antes de que exceda la línea indicadora de eliminación de polvo.

1. Apunte el cabezal de la aspiradora hacia abajo, sujete la caja para polvo firmemente y luego sepárela del cuerpo ciclónico mientras presiona y mantiene presionados los botones de liberación a ambos lados de la caja para polvo.

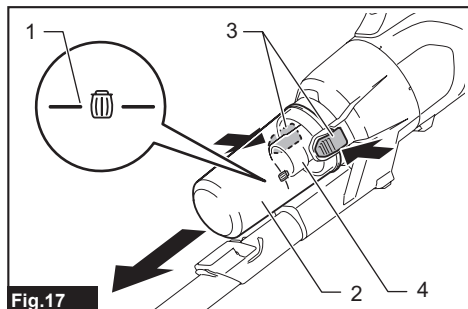


Fig.17

1. Línea indicadora de eliminación de polvo 2. Caja para polvo 3. Botones de liberación 4. Filtro de malla

2. Vacíe la caja para polvo y limpie el polvo adherido del filtro de malla.

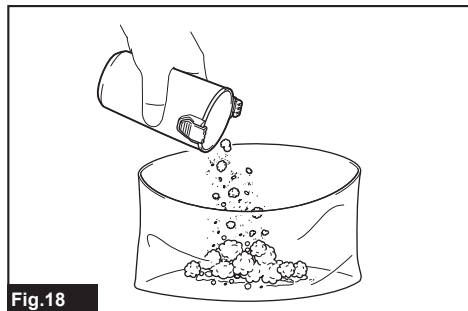


Fig.18

3. Vuelva a colocar la caja para polvo en el cuerpo ciclónico para asegurarla en su lugar cuando se escuchan clics.

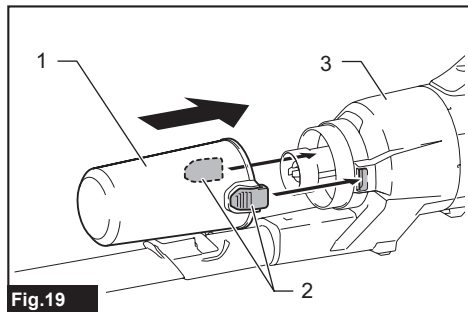


Fig.19

1. Caja para polvo 2. Botones de liberación 3. Cuerpo ciclónico

PRECAUCIÓN: El polvo podría salir volando cuando se desecha de la caja para polvo. Tenga cuidado de que el polvo no alcance sus ojos.

AVISO: Cuando la caja para polvo se ensucie, extraígalas y lávelas con agua. Seque bien la caja para polvo antes de volver a montarla y utilizarla.

AVISO: Asegúrese de que todos los accesorios y componentes estén asegurados en su lugar correctamente antes de usarlos.

AVISO: Si la fuerza de succión no se recupera incluso después de desechar el polvo y de limpiar el filtro de malla, verifique si se ha acumulado polvo dentro del cuerpo ciclónico o si hay obstrucción.

MANTENIMIENTO

PRECAUCIÓN: Asegúrese siempre de que la herramienta esté apagada y el cartucho de batería extraído antes de intentar realizar una inspección o mantenimiento.

AVISO: Nunca use gasolina, bencina, diluyente (tiner), alcohol o sustancias similares. Puede que esto ocasione grietas o descoloramiento.

Para mantener la SEGURIDAD y CONFIABILIDAD del producto, las reparaciones y cualquier otro mantenimiento o ajuste deben ser realizados por los centros de servicio autorizados por Makita o de fábrica, utilizando siempre repuestos Makita.

Después del uso

PRECAUCIÓN: El colocar la aspiradora contra la pared sin que haya ningún otro soporte podría ocasionar que la aspiradora se cayera, lo que resultaría en una lesión personal o en un daño a la aspiradora.

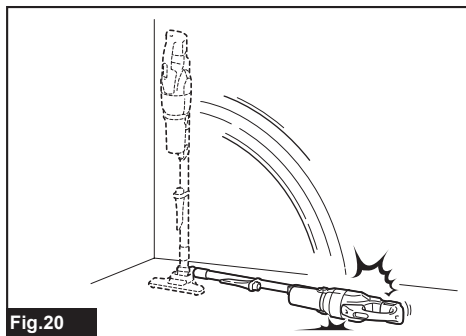


Fig.20

Mantenimiento regular

AVISO: Limpie los filtros de la unidad ciclónica cuando se obstruyan. El uso continuo en la condición obstruida podría provocar su calentamiento o avería del motor.

AVISO: No use un soplador de aire con el fin de eliminar el polvo adherido en la aspiradora y en los filtros. Esto introduciría polvo en la carcasa pudiendo causar daños.

Se requiere un mantenimiento de rutina para restaurar las condiciones normales de funcionamiento.

Cuerpo de la aspiradora

Limpie el exterior (cuerpo de la aspiradora) usando un paño húmedo y agua enjabonada, así como las aberturas de succión.

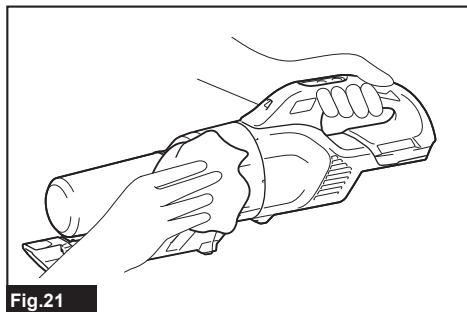


Fig.21

Unidad ciclónica y filtros

AVISO: Quite el polvo y limpie el interior de la unidad ciclónica y los filtros, cuando el desempeño de succión sea menos efectivo, independientemente de la cantidad de polvo acumulado en la caja para polvo.

AVISO: Después de lavar los filtros, séquelos completamente antes de usarlos. Si los filtros no están completamente secos la succión podría ser deficiente y la vida útil del motor podría reducirse.

AVISO: Después de limpiar los filtros y el filtro de esponja, asegúrese de volver a instalarlos antes del uso. Si utiliza la aspiradora sin los filtros y la lámina de esponja, el polvo entrará a la carcasa del motor y causará daños en el mismo.

Unidad ciclónica

1. Golpee la unidad ciclónica varias veces con la mano para eliminar el polvo adherido a la superficie interna de la unidad ciclónica y el filtro.

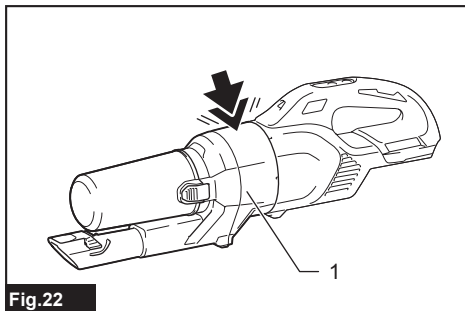


Fig.22

► 1. Unidad ciclónica

2. Con la entrada de succión apuntando hacia abajo, gire la unidad ciclónica como se muestra en la figura alineando el indicador de la unidad ciclónica con el del cuerpo de la aspiradora para desacoplar el seguro. Luego, separe la unidad ciclónica del cuerpo de la aspiradora lentamente y en forma recta.

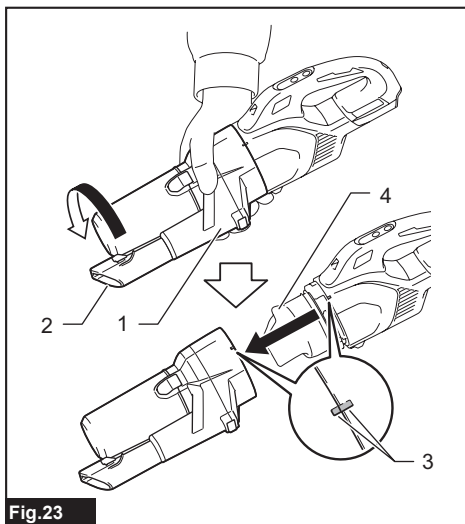


Fig.23

► 1. Unidad ciclónica 2. Entrada de succión
3. Indicadores 4. Filtro

NOTA: El polvo podría salir despedido cuando se desmonta la unidad ciclónica. Se recomienda colocar una bolsa de basura debajo de la unidad ciclónica.

3. Sacuda el polvo dentro de la unidad ciclónica y del filtro.

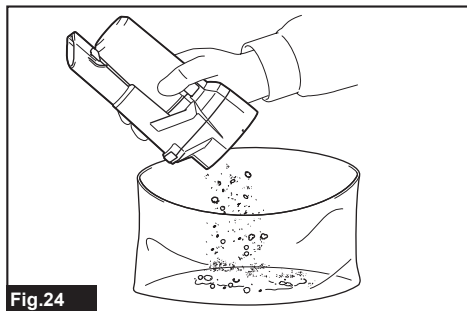


Fig.24

4. Coloque la unidad ciclónica nuevamente sobre el cuerpo de la aspiradora, alineando el indicador de la unidad ciclónica con el del cuerpo de la aspiradora. Luego, gire la unidad ciclónica como se muestra en la figura hasta que quede asegurada en su lugar.

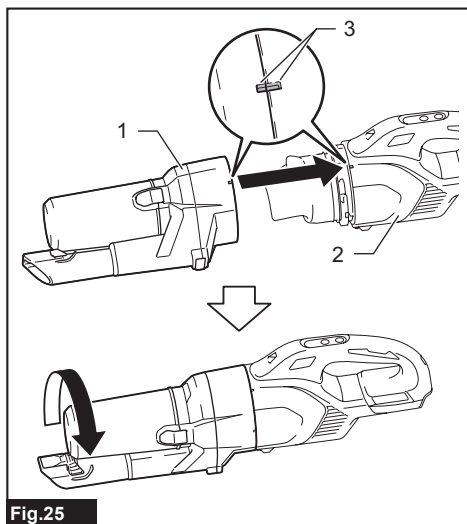


Fig.25

1. Unidad ciclónica 2. Cuerpo de la aspiradora 3. Indicadores

Filtro de alto rendimiento

1. Desmonte la unidad ciclónica del cuerpo de la aspiradora.
2. Sostenga el extremo de montaje del filtro de alto rendimiento, y sepárelo del cuerpo de la aspiradora.

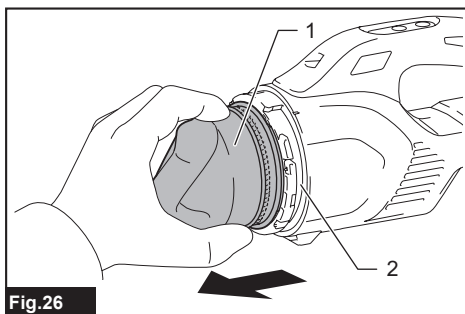


Fig.26

1. Filtro de alto rendimiento 2. Cuerpo de la aspiradora

3. Limpie y sacuda el polvo del filtro de alto rendimiento manualmente.



Fig.27

4. Lave el filtro de alto rendimiento en agua enjabonada cuando este se haya tapado con el polvo y suciedad. Déjelo secar por completo a la sombra antes de usarlo.

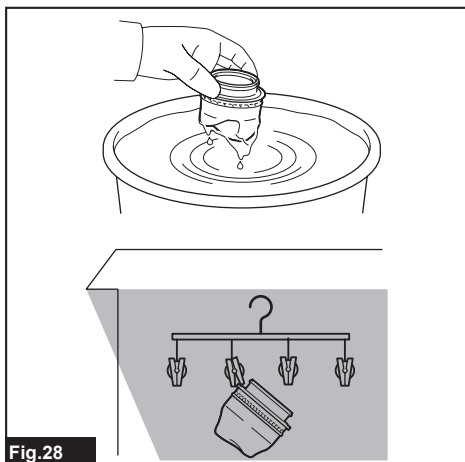


Fig.28

NOTA: Evite sujetar el extremo del accesorio (anillo de sellado de goma) del filtro de alto rendimiento cuando lo cuelgue para secarlo.

- Sostenga el extremo de montaje del filtro de alto rendimiento, y méntalo nuevamente dentro del cuerpo de la aspiradora.

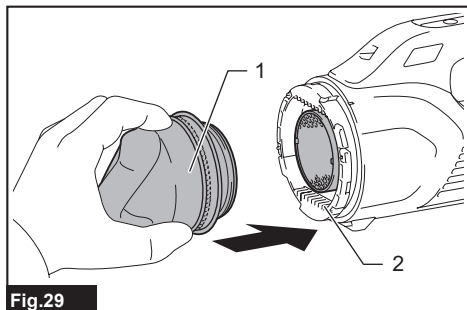


Fig.29

- 1. Filtro de alto rendimiento 2. Cuerpo de la aspiradora

Filtro HEPA

Accesorio opcional

AVISO: No frote ni raye el filtro HEPA con objetos duros tales como un cepillo o una pala.

- Desmonte la unidad ciclónica del cuerpo de la aspiradora.
- Sostenga el extremo de montaje del filtro HEPA (cubierto con el prefiltro de alto rendimiento), y sepárelo del cuerpo de la aspiradora.

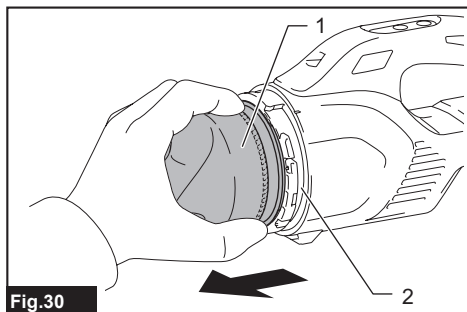


Fig.30

- 1. Filtro HEPA (cubierto con el prefiltro de alto rendimiento) 2. Cuerpo de la aspiradora

- Desmonte el prefiltro de alto rendimiento del filtro HEPA girándolo con la mano.

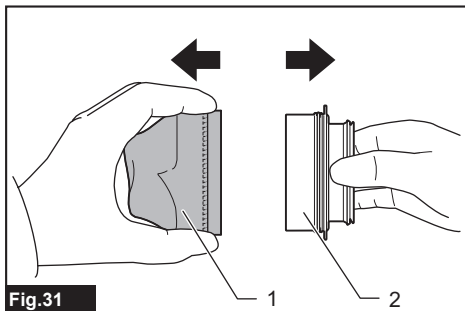


Fig.31

- 1. Prefiltro de alto rendimiento 2. Filtro HEPA

- Limpe y sacuda el polvo del prefiltro de alto rendimiento y el filtro HEPA manualmente.

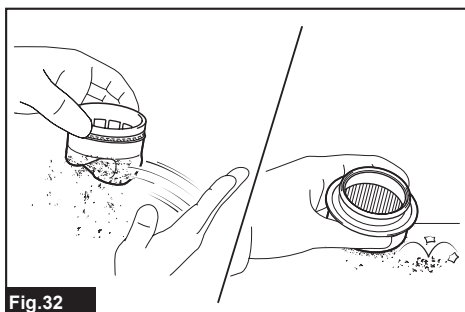


Fig.32

- Lave el prefiltro de alto rendimiento y el filtro HEPA en agua enjabonada. Enjuague y déjelos secar por completo a la sombra antes de usarlos.

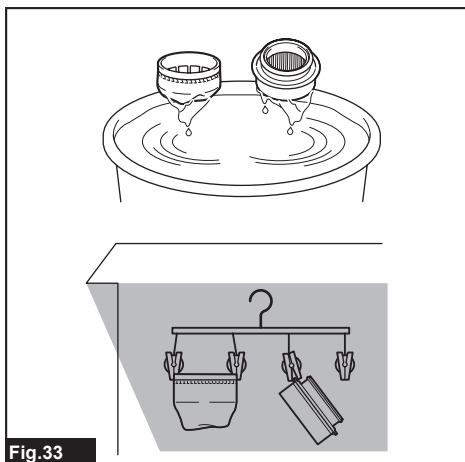
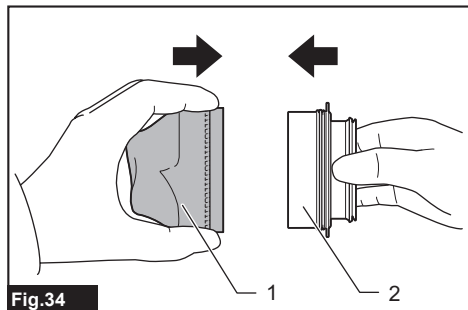


Fig.33

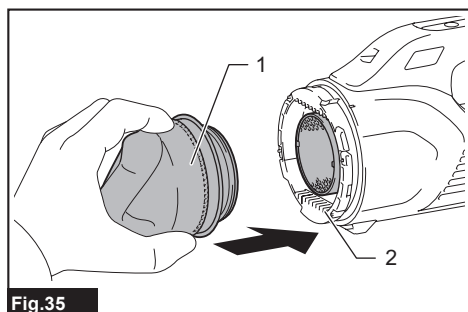
NOTA: Evite sujetar el extremo del accesorio (anillo de sellado de goma) del filtro HEPA cuando lo cuelgue para secarlo.

6. Coloque el prefiltro de alto rendimiento sobre el filtro HEPA.



► 1. Prefiltro de alto rendimiento 2. Filtro HEPA

7. Sostenga el extremo de montaje del filtro HEPA (cubierto con el prefiltro de alto rendimiento), y méntalo nuevamente dentro del cuerpo de la aspiradora.

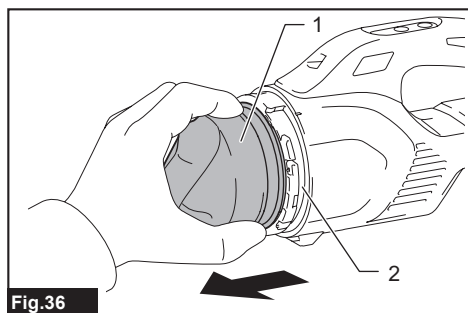


► 1. Filtro HEPA (cubierto con el prefiltro de alto rendimiento) 2. Cuerpo de la aspiradora

Lámina de esponja

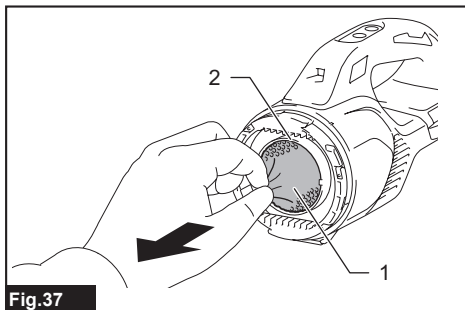
1. Desmonte la unidad ciclónica del cuerpo de la aspiradora.

2. Sostenga el extremo de montaje del filtro, y sepárelo del cuerpo de la aspiradora.



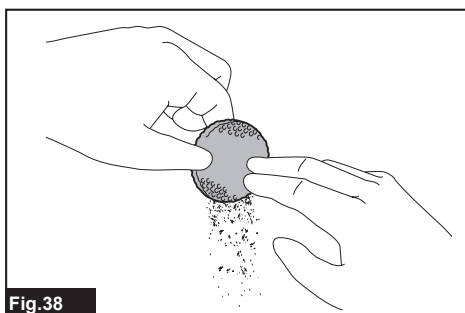
► 1. Filtro 2. Cuerpo de la aspiradora

3. Retire la lámina de esponja de la abertura de succión.

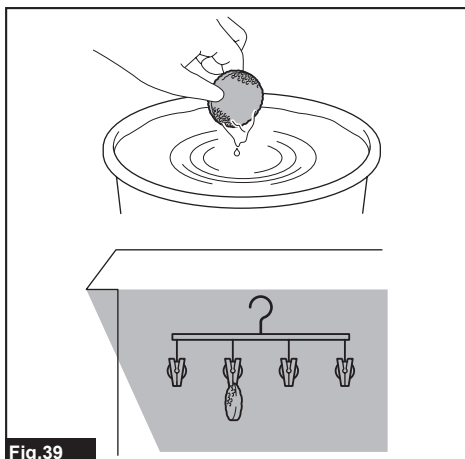


► 1. Lámina de esponja 2. Abertura de succión

4. Limpie y sacuda el polvo de la lámina de esponja con la mano.



5. Lave la lámina de esponja en agua jabonada cuando esta se haya tapado con el polvo y suciedad. Déjelo secar por completo a la sombra antes de usarlo.



6. Vuelva a colocar la lámina de esponja en su posición original. Asegúrese de que los bordes izquierdo y derecho de la lámina de esponja estén asegurados con topes, y que no haya espacios entre la lámina de esponja y la abertura de succión.

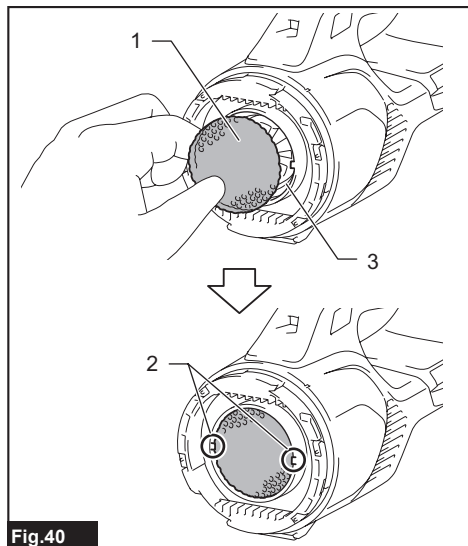


Fig.40

- 1. Lámina de esponja 2. Tope 3. Abertura de succión

7. Sostenga el extremo de montaje del filtro, y métalo nuevamente dentro del cuerpo de la aspiradora.

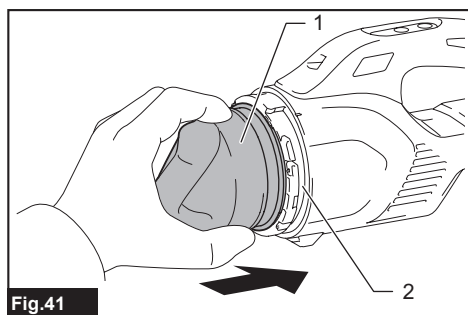


Fig.41

- 1. Filtro 2. Cuerpo de la aspiradora

Mantenimiento según la condición

AVISO: Limpie el filtro de malla de la unidad ciclónica cuando se obstruya. El uso continuo en la condición obstruida podría provocar su calentamiento o avería del motor.

Debe realizarse una limpieza profunda y puntual de acuerdo con el desempeño de su herramienta.

Filtro de malla

Cuando la caja para polvo se ensucia o el filtro de malla se obstruye, quítelos y lávelos con agua. (Consulte la sección "Eliminación del polvo" para el procedimiento de eliminación).

1. Sujete la caja para polvo firmemente y sepárela del cuerpo ciclónico mientras presiona y mantiene presionados los botones de liberación a ambos lados de la caja para polvo.

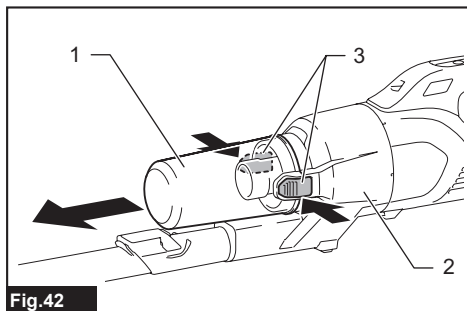


Fig.42

- 1. Caja para polvo 2. Cuerpo ciclónico 3. Botones de liberación

2. Gire el filtro de malla como se muestra en la figura para desacoplar el seguro. Luego, desmóntelo del cuerpo ciclónico.

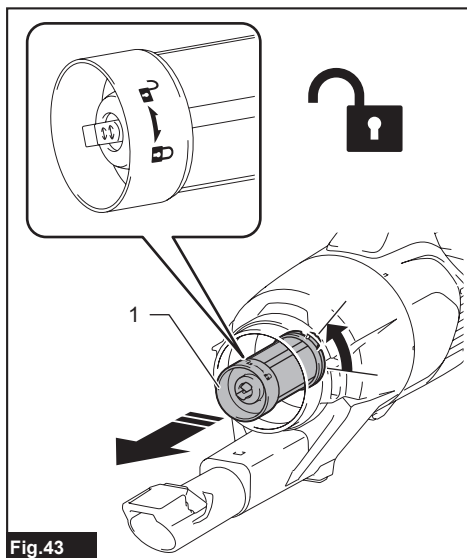


Fig.43

- 1. Filtro de malla

3. Desmonte el filtro de malla en tres componentes: prefiltro, filtro de esponja tubular y tubo de malla.

i Apriete juntos los topes de guía de la parte superior del tubo de malla.

ii Pase los topes de guía hacia abajo a través del orificio guía de la parte superior del prefiltro.

iii Tire del prefiltro a lo largo del filtro de esponja tubular y el tubo de malla.

iv Retire el filtro de esponja tubular del tubo de malla.

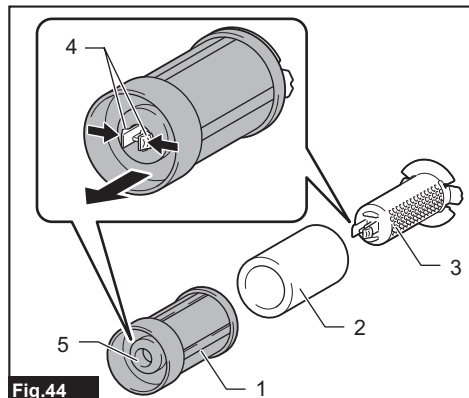


Fig.44

► 1. Prefiltro 2. Filtro de esponja tubular 3. Tubo de malla 4. Topes de guía 5. Orificio guía

4. Limpie y sacuda el polvo de los filtros y del tubo de malla con la mano.

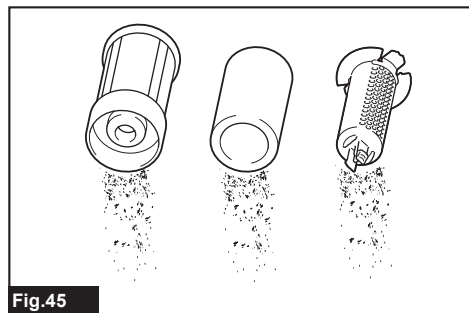


Fig.45

5. Lave los filtros y el tubo de malla con agua enjabonada cuando estén obstruidos con polvo y suciedad. Déjelos secar por completo a la sombra antes de usarlos.

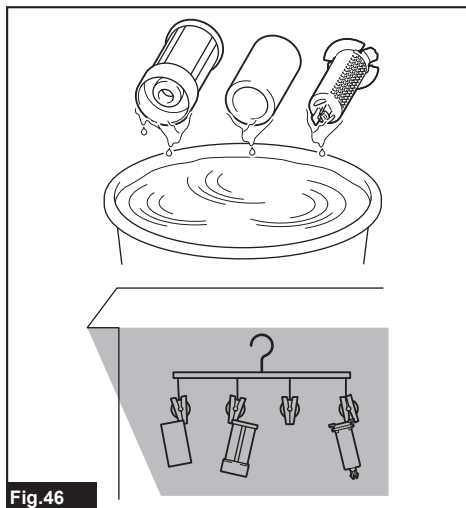


Fig.46

6. Vuelva a montar el filtro de malla.

i Inserte el filtro de esponja tubular dentro del prefiltro.

ii Inserte el tubo de malla dentro del filtro de esponja tubular y el prefiltro, pasando los topes de guía de la parte superior del tubo de malla a través del orificio guía de la parte superior del prefiltro.

iii Empuje el tubo de malla a través del filtro de esponja tubular y el prefiltro hasta que encaje en su lugar con un clic.

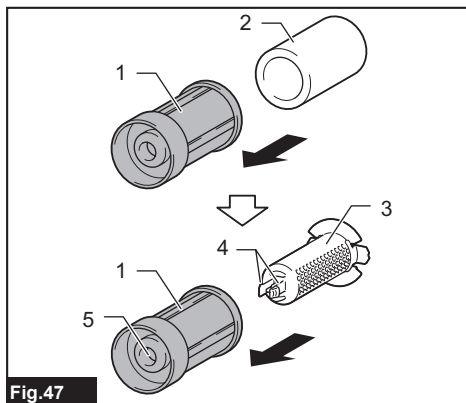


Fig.47

► 1. Prefiltro 2. Filtro de esponja tubular 3. Tubo de malla 4. Topes de guía 5. Orificio guía

7. Vuelva a colocar el filtro de malla en dentro del cuerpo ciclónico, alineando los ganchos del filtro de malla con los puertos de la salida de succión del cuerpo ciclónico. Gire el filtro de malla como se muestra en la figura hasta que los ganchos se bloqueen con un clic. Asegúrese de que el filtro de malla se instale firmemente.

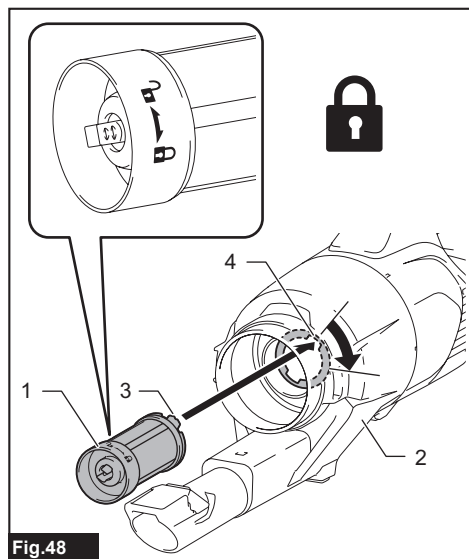


Fig.48

- 1. Filtro de malla 2. Cuerpo ciclónico 3. Gancho
4. Puerto

Canales de aire en la unidad ciclónica

Sustancias extrañas entrantes podrían bloquear los canales de aire en la unidad ciclónica y los flujos de aire cargado. Elimine cualquier obstáculo en la trayectoria del aire si el desempeño de succión se ve afectado de manera marcada.

1. Desmonte la unidad ciclónica en tres componentes: caja para polvo, filtro de malla y cuerpo ciclónico.

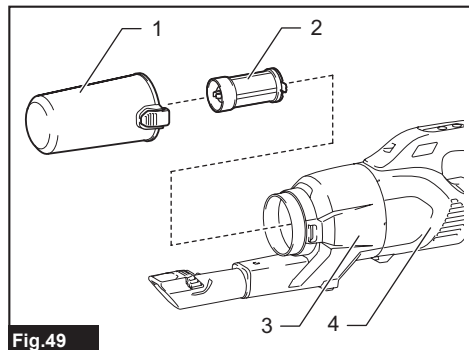


Fig.49

- 1. Caja para polvo 2. Filtro de malla 3. Cuerpo ciclónico 4. Cuerpo de la aspiradora

2. Presione y mantenga presionado el tope de guía del tubo de entrada hacia abajo a través del orificio de bloqueo del cuerpo ciclónico usando la herramienta manual con punta. Luego, desmonte el tubo de entrada del cuerpo ciclónico.

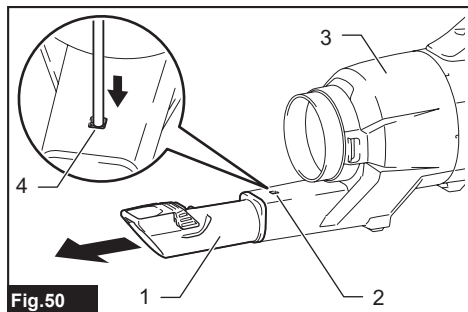


Fig.50

- 1. Tubo de entrada 2. Tope de guía 3. Cuerpo ciclónico 4. Orificio de bloqueo

3. Limpie cualquier sustancia que encuentre en los canales de aire.

Es probable que una sustancia extraña se atasque alrededor de un puerto de aire entrante.

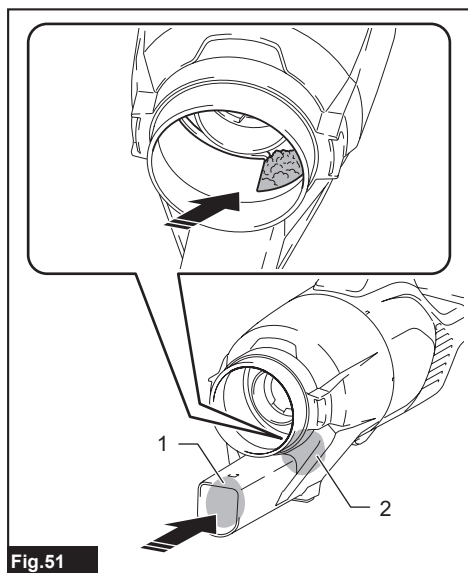


Fig.51

- 1. Entrada de succión 2. Puerto de aire entrante

4. Inserte el tubo de entrada de nuevo en su lugar hasta que quede bloqueado de forma segura.

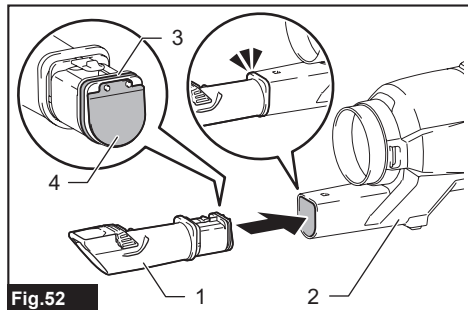


Fig.52

- 1. Tubo de entrada 2. Cuerpo ciclónico 3. Junta tórica 4. Válvula de lengüeta

AVISO: Asegúrese de que la junta tórica y la válvula de lengüeta estén firmemente en su lugar antes de volver a ensamblar. El desempeño de succión puede verse afectado si la unidad ciclónica se opera sin la junta tórica y la válvula de lengüeta en su lugar.

5. Vuelva a ensamblar la unidad ciclónica, y fíjala al cuerpo de la aspiradora.

Detección y solución de problemas

Antes de solicitar una reparación, verifique los siguientes puntos.

| Síntoma | Área a ser investigada | Método de solución |
|--------------------------------|---|--|
| Potencia de succión deficiente | ¿La caja para polvo o el interior de la unidad ciclónica están llenos de polvo? | Vacíe la caja para polvo o el interior de la unidad ciclónica. |
| | ¿Los filtros están obstruidos? | Sacuda o lave el filtro de alto rendimiento / filtro HEPA / lámina de esponja / filtro de malla. |
| | ¿Algo bloquea los canales de aire entrante? | Limpie el polvo y los objetos de las aberturas y canales de aire. |
| | ¿El cartucho de batería se ha descargado? | Cargue el cartucho de batería. |
| No funciona | ¿El cartucho de batería se ha descargado? | Cargue el cartucho de batería. |
| Ruido y vibración | ¿Los filtros están obstruidos? | Sacuda o lave el filtro de alto rendimiento / filtro HEPA / lámina de esponja / filtro de malla. |
| | ¿Algo bloquea las aberturas u orificios? | Limpie el polvo y los objetos de las boquillas, tubos y aberturas de aire. |
| | ¿La entrada de succión de la boquilla o el tubo está cerrada? | Destape y abra la entrada de succión de la boquilla y el tubo. |

PRECAUCIÓN: No intente reparar la aspiradora por su cuenta.

ACCESORIOS OPCIONALES

PRECAUCIÓN: Estos accesorios o aditamentos están recomendados para utilizarse con su herramienta Makita especificada en este manual. El empleo de cualquier otro accesorio o aditamento puede conllevar el riesgo de lesiones personales. Utilice los accesorios o aditamentos solamente para su fin establecido.

Si necesita cualquier ayuda para más detalles en relación con estos accesorios, pregunte a su centro de servicio local Makita.

- Tubo de extensión (tubo recto)
- Boquilla
- Boquilla para alfombra

- Cepillo para estantes
- Boquilla para bastidores
- Cepillo redondo
- Manguera flexible
- Filtro de alto rendimiento
- Filtro HEPA
- Boquilla para asientos
- Boquilla para huecos
- Unidad ciclónica
- Bolsa de herramientas
- Batería y cargador originales de Makita

NOTA: Algunos de los artículos en la lista pueden incluirse en el paquete de la herramienta como accesorios estándar. Éstos pueden variar de país a país.

GARANTÍA LIMITADA DE MAKITA

Ésta Garantía no aplica para México

Consulte la hoja de la garantía anexa para ver los términos más vigentes de la garantía aplicable a este producto. En caso de no disponer de esta hoja de garantía anexa, consulte los detalles sobre la garantía descritos en el sitio web de su país respectivo indicado a continuación.

Estados Unidos de América: www.makitatools.com

Canadá: www.makita.ca

Otros países: www.makita.com

< USA only >

WARNING

Some dust created by power sanding, sawing, grinding, drilling, and other construction activities contains chemicals known to the State of California to cause cancer, birth defects or other reproductive harm. Some examples of these chemicals are:

- lead from lead-based paints,
- crystalline silica from bricks and cement and other masonry products, and
- arsenic and chromium from chemically-treated lumber.

Your risk from these exposures varies, depending on how often you do this type of work. To reduce your exposure to these chemicals: work in a well ventilated area, and work with approved safety equipment, such as those dust masks that are specially designed to filter out microscopic particles.

< Sólo en los Estados Unidos >

ADVERTENCIA

Algunos polvos creados por el lijado, aserrado, esmerilado, taladrado y otras actividades de la construcción contienen sustancias químicas reconocidas por el Estado de California como causantes de cáncer, defectos de nacimiento y otros peligros de reproducción. Algunos ejemplos de estos productos químicos son:

- plomo de pinturas a base de plomo,
- sílice cristalino de ladrillos y cemento y otros productos de albañilería, y
- arsénico y cromo de maderas tratadas químicamente.

El riesgo al que se expone varía, dependiendo de la frecuencia con la que realice este tipo de trabajo. Para reducir la exposición a estos productos químicos: trabaje en un área bien ventilada y póngase el equipo de seguridad indicado, tal como las máscaras contra polvo que están especialmente diseñadas para filtrar partículas microscópicas.

Makita Corporation

3-11-8, Sumiyoshi-cho,
Anjo, Aichi 446-8502 Japan

www.makita.com

885A27-942
XLC11-1
EN, ESMX
20221112