

Whirlpool® Side by Side Refrigerator

PRODUCT MODEL NUMBERS

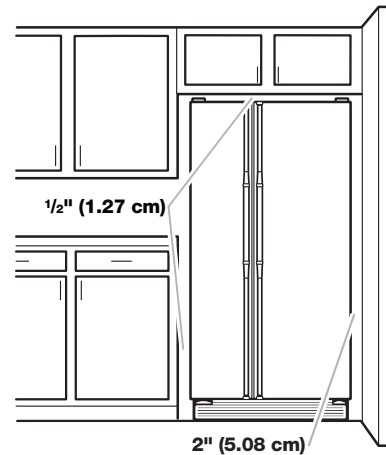
WRS315SDHT	WRS315SDHW
WRS315SDHM	WRS315SDHB
WRS315SNHB	WRS315SNHW
WRS315SNHM	WRS312SNHB
WRS312SNHW	WRS335SDHM
WRS335SDHW	WRS335SDHB
WRS311SDHB	WRS311SDHM
WRS311SDHW	WRS311SDHT
WRS321SDHB	WRS321SDHZ
WRS321SDHW	WRS321SDHV
WRS555SIHB	WRS555SIHZ
WRS555SIHW	WRS555SIHB
WRSA15SNHZ	WRSA15SNHN
WRS331SDHM	WRS331SDHW
WRS331SDHB	WRS325SDHB
WRS325SDHZ	WRS325SDHW
WRS325SDHV	

Electrical: A 115-volt, 60-Hz, AC-only, 15- or 20-amp fused, grounded electrical supply is required. It is recommended that a separate circuit serving only your refrigerator be provided. Use an outlet that cannot be turned off by a switch. Do not use an extension cord.

Water: A cold water supply with water pressure of between 30 and 120 psi (207 and 827 kPa) is required to operate the water dispenser and ice maker. If you have questions about your water pressure, call a licensed, qualified plumber.

Reverse Osmosis Water Supply: The pressure of the water supply coming out of a reverse osmosis system going to the water inlet valve of the refrigerator needs to be between 30 and 120 psi (207 and 827 kPa).

LOCATION REQUIREMENTS

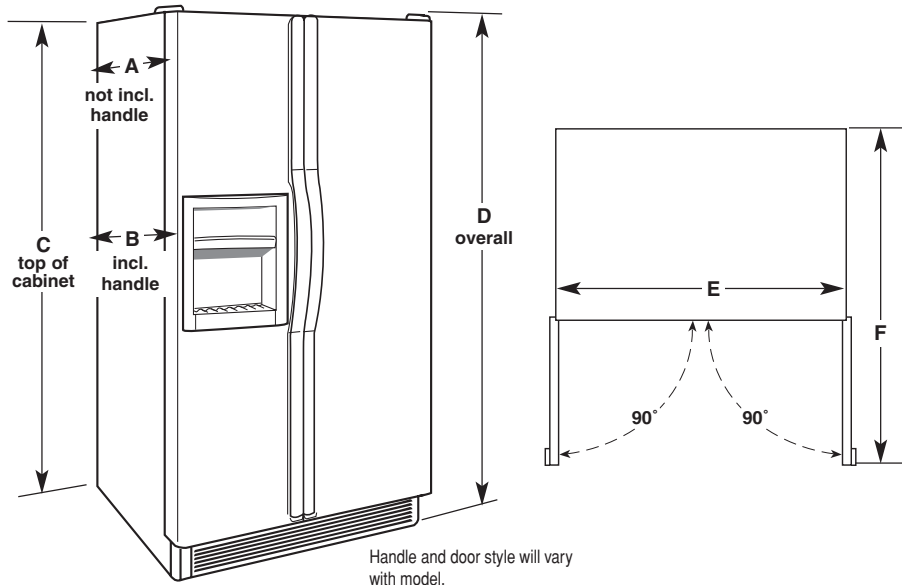


To ensure proper ventilation for your refrigerator, allow for 1/2" (1.27 cm) of space on each side and at the top. Allow for 1" (2.54 cm) of space behind the refrigerator. If your refrigerator has an ice maker, allow extra space at the back for the water line connections. When installing your refrigerator next to a fixed wall, leave a 2" (5.08 cm) minimum space on each side (depending on your model) to allow the doors to swing open.

NOTES:

- This refrigerator is intended for use in a location where the temperature ranges from a minimum of 55°F (13°C) to a maximum of 110°F (43°C). The preferred room temperature range for optimum performance, which reduces electricity usage and provides superior cooling, is between 60°F (15°C) and 90°F (32°C). It is recommended that you do not install the refrigerator near a heat source, such as an oven or radiator.
- Normal minimum cabinet cutout width required for product installation is 36" (91.44 cm). However, if the product is placed against an extended wall and the ability to remove the crisper pans is desired, an additional 18" (45.72 cm) of cabinet width is required, so a total cabinet opening width of 54" (137.16 cm) is recommended.

PRODUCT DIMENSIONS



Handle and door style will vary with model.

Dimensions "C" and "D" include rollers extended $\frac{3}{4}$ " (1.9 cm).

Model Number/ Capacity	Depth Without Handles "A"	Depth With Handles "B"	Height to top of Cabinet "C"	Overall height "D"	Cabinet Width "E"	Depth with Doors Open 90° "F"
WRS315SDH* 24.57 cu. ft.	31 ⁵ / ₈ " (80.33 cm)	33 ⁵ / ₈ " (85.41 cm)	68 ⁵ / ₈ " (174.31 cm)	69 ⁵ / ₈ " (176.85 cm)	35 ¹ / ₂ " (90.18 cm)	49 ⁵ / ₁₆ " (125.25 cm)
WRS315SNH* 25.1 cu. ft.	31 ⁵ / ₈ " (80.33 cm)	33 ⁵ / ₈ " (85.41 cm)	68 ⁵ / ₈ " (174.31 cm)	69 ⁵ / ₈ " (176.85 cm)	35 ¹ / ₂ " (90.18 cm)	49 ⁵ / ₁₆ " (125.25 cm)
WRS312SNH* 21.55 cu. ft.	31 ⁵ / ₈ " (80.33 cm)	33 ⁵ / ₈ " (85.41 cm)	65 ⁵ / ₈ " (174.31 cm)	66 ⁵ / ₈ " (169.23 cm)	32 ³ / ₄ " (83.18 cm)	49 ⁵ / ₁₆ " (125.25 cm)
WRS335SDH* 24.54 cu. ft.	31 ⁵ / ₈ " (80.33 cm)	33 ⁵ / ₈ " (85.41 cm)	66 ⁵ / ₈ " (169.23 cm)	69 ⁵ / ₈ " (176.85 cm)	35 ¹ / ₂ " (90.18 cm)	49 ⁵ / ₁₆ " (125.25 cm)
WRS311SDH*	31 ⁵ / ₈ " (80.33 cm)	33 ⁵ / ₈ " (85.41 cm)	65 ⁵ / ₈ " (174.31 cm)	66 ⁵ / ₈ " (169.23 cm)	32 ³ / ₄ " (83.18 cm)	49 ⁵ / ₁₆ " (125.25 cm)
WRS321SDH*	31 ⁵ / ₈ " (80.33 cm)	33 ⁵ / ₈ " (85.41 cm)	65 ⁵ / ₈ " (174.31 cm)	66 ⁵ / ₈ " (169.23 cm)	32 ³ / ₄ " (83.18 cm)	49 ⁵ / ₁₆ " (125.25 cm)
WRS555SIH	31 ⁵ / ₈ " (80.33 cm)	33 ⁵ / ₈ " (85.41 cm)	68 ⁵ / ₈ " (174.31 cm)	69 ⁵ / ₈ " (176.85 cm)	35 ¹ / ₂ " (90.18 cm)	49 ⁵ / ₁₆ " (125.25 cm)
WRSA15SNH*	31 ⁵ / ₈ " (80.33 cm)	33 ⁵ / ₈ " (85.41 cm)	68 ⁵ / ₈ " (174.31 cm)	69 ⁵ / ₈ " (176.85 cm)	35 ¹ / ₂ " (90.18 cm)	49 ⁵ / ₁₆ " (125.25 cm)
WRS331SDH*	31 ⁵ / ₈ " (80.33 cm)	33 ⁵ / ₈ " (85.41 cm)	65 ⁵ / ₈ " (174.31 cm)	66 ⁵ / ₈ " (169.23 cm)	32 ³ / ₄ " (83.18 cm)	49 ⁵ / ₁₆ " (125.25 cm)
WRS325SDH*	31 ⁵ / ₈ " (80.33 cm)	33 ⁵ / ₈ " (85.41 cm)	68 ⁵ / ₈ " (174.31 cm)	69 ⁵ / ₈ " (176.85 cm)	35 ¹ / ₂ " (90.18 cm)	49 ⁵ / ₁₆ " (125.25 cm)