

DEWALT®



**Instruction Manual
Guide D'utilisation
Manual de instrucciones**

DCST922

20V Max* String Trimmer

Taille-bordure 20V max*

Podadora de cuerda 20V Máx*

www.DEWALT.com

**If you have questions or comments, contact us.
Pour toute question ou tout commentaire, nous contacter.
Si tiene dudas o comentarios, contáctenos.**

1-800-4-DEWALT

English (**original instructions**)

1

Français (*traduction de la notice d'instructions originale*)

14

Español (*traducido de las instrucciones originales*)

28

Definitions: Safety Alert Symbols and Words

This instruction manual uses the following safety alert symbols and words to alert you to hazardous situations and your risk of personal injury or property damage.

! **DANGER:** Indicates an imminently hazardous situation which, if not avoided, **will** result in **death or serious injury**.

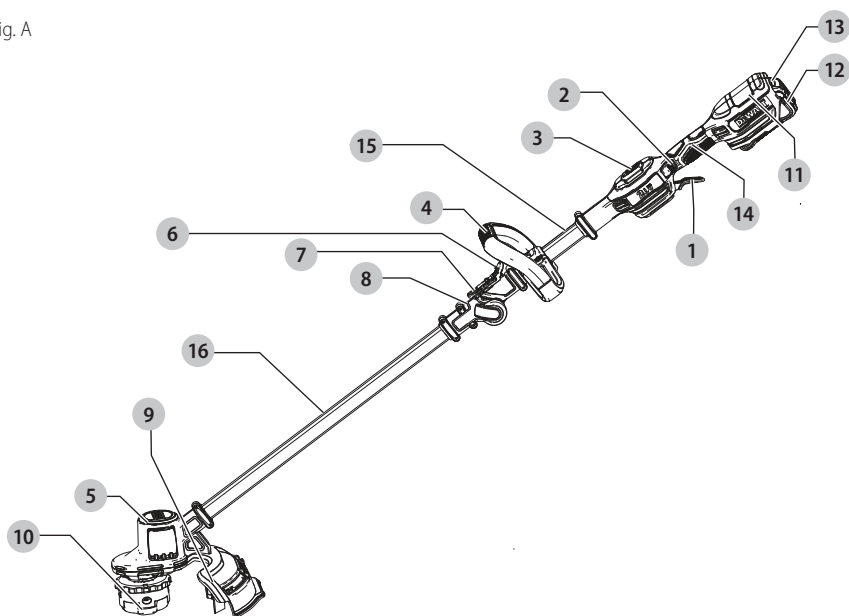
! **WARNING:** Indicates a potentially hazardous situation which, if not avoided, **could** result in **death or serious injury**.

! **CAUTION:** Indicates a potentially hazardous situation which, if not avoided, **may** result in **minor or moderate injury**.

! (Used without word) Indicates a safety related message.

NOTICE: Indicates a practice **not related to personal injury** which, if not avoided, **may** result in **property damage**.

Fig. A



- | | |
|--------------------------|---------------------------|
| 1 Variable speed trigger | 10 Spool housing |
| 2 Lock-off button | 11 Battery housing |
| 3 Speed control switch | 12 Battery pack |
| 4 Auxiliary handle | 13 Battery release button |
| 5 Motor housing | 14 Handle |
| 6 Locking lever | 15 Upper pole |
| 7 Pole latch | 16 Lower pole |
| 8 Pole clasp | |
| 9 Guard | |

! **WARNING:** Read all safety warnings and all instructions. Failure to follow the warnings and instructions may result in electric shock, fire and/or serious injury.

! **WARNING:** To reduce the risk of injury, read the instruction manual.

If you have any questions or comments about this or any product, call DeWALT toll free at: (1-800-433-9258).

20V Max* String Trimmer DCST922

IMPORTANT SAFETY INSTRUCTIONS

WARNING: To reduce risk of injury:

- Before any use, be sure everyone using this unit reads and understands all safety instructions and other information contained in this manual.
- Save these instructions and review frequently.

WARNING: When using electric gardening appliances, basic safety precautions should always be followed to reduce risk of fire, electric shock, and personal injury, including the following.

1. **Avoid Dangerous Environment** – Don't use appliances in damp or wet locations.
2. **Don't Use In Rain.**
3. **Keep Children Away** – All visitors should be kept at a distance from work area.
4. **Dress Properly** – Do not wear loose clothing or jewelry. They can be caught in moving parts. Use of rubber gloves and substantial footwear is recommended when working outdoors. Wear protective hair covering to contain long hair.
5. **Use Safety Glasses** – Always use face or dust mask if operation is dusty.
6. **Use Right Appliance** – Do not use appliance for any job except that for which it is intended.
7. **Don't grasp the exposed cutting blades or cutting edges when picking up or holding the appliance.**
8. **Don't Force Appliance** – It will do the job better and with less likelihood of a risk of injury at the rate for which it was designed.
9. **Don't Overreach** – Keep proper footing and balance at all times.
10. **Stay Alert** – Watch what you are doing. Use common sense. Do not operate appliance when you are tired.
11. **Disconnect Appliance** – Remove the battery when not in use, before servicing, when changing accessories such as blades, and the like.
12. **Store Idle Appliances Indoors** – When not in use, appliances should be stored indoors in dry, and high or locked-up place – out of reach of children.
13. **Maintain Appliance With Care** – Keep cutting edge sharp and clean for best performance and to reduce the risk of injury. Follow instructions for lubricating and changing accessories. Inspect appliance power source periodically, and if damaged, have it repaired by an authorized service facility. Keep handles dry, clean, and free from oil and grease.
14. **Check Damaged Parts** – Before further use of the appliance, a guard or other part that is damaged should be carefully checked to determine that it will operate properly and perform its intended function. Check for

alignment of moving parts, binding of moving parts, breakage of parts, mounting, and any other condition that may affect its operation. A guard or other part that is damaged should be properly repaired or replaced by an authorized service center unless indicated elsewhere in this manual.

SAVE THESE INSTRUCTIONS

Additional Safety Warnings

WARNING: To reduce the risk of rebound (ricochet) injury, work going away from any nearby solid object such as wall, steps, large stone, tree, etc.

- **GUARD** – Do not use this appliance without guard attached.
- **DRESS PROPERLY** – Do not wear loose clothing or jewelry. They can be caught in moving parts. Gloves and substantial rubber soled footwear are recommended when working outdoors. Don't operate the appliance when barefoot or wearing open sandals. Wear heavy long pants to protect your legs. Wear protective hair covering to contain long hair.
- **KEEP FACE, HANDS AND FEET CLEAR OF ROTATING NYLON LINE AT ALL TIMES.** The rotating line performs a cutting function use care when trimming around screens and desirable plantings.
- **KEEP ALL BYSTANDERS AWAY** – at a safe distance from work area, especially children. MAKE SURE that other persons and pets are at least 100' (30 m) away.
- **USE GREAT CARE** when working close to solid objects and where necessary, do trimming by hand.
- **AVOID ACCIDENTALLY STARTING** – Don't carry with finger on trigger when battery is installed.
- **DAMAGE TO UNIT** – If you strike or become entangled with a foreign object, stop appliance immediately, check for damage and have any damage repaired before further operation is attempted. Do not operate with a broken hub or spool.
- **DO NOT OPERATE** portable electric appliances in gaseous or explosive atmospheres. Motors in these appliances normally spark, and the sparks might ignite fumes.
- **STAY ALERT** – Do not operate this unit when you are tired, ill, or under the influence of alcohol, drugs, or medication.
- **DO NOT** immerse appliance in water or squirt it with a hose.
- **DO NOT** allow any liquid to get inside it. If appliance does get wet, allow to dry for a minimum of 48 hours.
- **DO NOT** clean with a pressure washer.
- **DO NOT** store the appliance on or adjacent to fertilizers or chemicals.
- **DO NOT** charge appliance in rain, or in wet locations.

- **TO REDUCE THE RISK OF INJURY**, do not operate the unit while folded. The unit must be fully extended and the pole clasp secured before the battery is inserted.
- **REMOVE BATTERY BEFORE FOLDING THE UNIT.** Fold unit completely until it locks in place.

CAUTION: Use only DEWALT replacement spools and line. Using any other manufacturer's line can reduce performance, damage the trimmer or cause personal injury. Your trimmer uses 0.080 inches (2.0 mm) diameter line. Do not use other size lines. This can degrade performance, cause damage to the unit or injury.

WARNING: Do not use appliance if the switch trigger does not turn the appliance on or off. Any appliance that can not be controlled with the switch trigger is dangerous and must be repaired.

Additional Safety Information

WARNING: Never modify the power tool or any part of it. Damage or personal injury could result.

WARNING: ALWAYS use safety glasses. Everyday eyeglasses are NOT safety glasses. Also use face or dust mask if operation is dusty. ALWAYS WEAR CERTIFIED SAFETY EQUIPMENT:

- ANSI Z87.1 eye protection (CAN/CSA Z94.3),
- ANSI S12.6 (S3.19) hearing protection,
- NIOSH/OSHA/MSHA respiratory protection.

WARNING: Some dust contains chemicals known to State of California to cause cancer, birth defects or other reproductive harm. Some examples of these chemicals are:

- compounds in fertilizers,
- compounds in insecticides, herbicides and pesticides,
- arsenic and chromium from chemically treated lumber.

To reduce your exposure to these chemicals, wear approved safety equipment such as dust masks that are specially designed to filter out microscopic particles.














WARNING: Use of this tool can generate and/or disperse dust, which may cause serious and permanent respiratory or other injury. Always use NIOSH/OSHA approved respiratory protection appropriate for the dust exposure. Direct particles away from face and body.

WARNING: Always wear proper personal hearing protection that conforms to ANSI S12.6 (S3.19) during use. Under some conditions and duration of use, noise from this product may contribute to hearing loss.

CAUTION: When not in use, place tool on its side on a stable surface where it will not cause a tripping or falling hazard. Some tools with a large battery pack will stand upright but may be easily knocked over.

- **Air vents often cover moving parts and should be avoided.** Loose clothes, jewelry or long hair can be caught in moving parts.

The label on your tool may include the following symbols. The symbols and their definitions are as follows:

V.....volts	 or AC/DC..... alternating or direct current
Hz.....hertz	 Class II Construction (double insulated)
min.....minutes	 no load speed
— — or DC..... direct current	n.....rated speed
 Class I Construction (grounded)	 earthing terminal
.../min.....per minute	 safety alert symbol
BPM.....beats per minute	 visible radiation
IPM.....impacts per minute	 avoid staring at light
RPM.....revolutions per minute	 wear respiratory protection
sfpm.....surface feet per minute	 wear eye protection
SPM.....strokes per minute	 wear hearing protection
OPM.....oscillations per minute	 read all documentation
A.....amperes	 IPXX.....IP symbol
W.....watts	
~ or AC.....alternating current	

BATTERIES AND CHARGERS

The battery pack is not fully charged out of the carton. Before using the battery pack and charger, read the safety instructions below and then follow charging procedures outlined. When ordering replacement battery packs, be sure to include the catalog number and voltage.

READ ALL INSTRUCTIONS

Important Safety Instructions for All Battery Packs

WARNING: Read all safety warnings, instructions, and cautionary markings for the battery pack, charger and product. Failure to

follow the warnings and instructions may result in electric shock, fire and/or serious injury.

- **Do not charge or use the battery pack in explosive atmospheres, such as in the presence of flammable liquids, gases or dust.** Inserting or removing the battery pack from the charger may ignite the dust or fumes.
 - **When battery pack is not in use, keep it away from other metal objects, like paper clips, coins, keys, nails, screws, or other small metal objects, that can make a connection from one terminal to another.** Shorting the battery terminals together may cause burns or a fire.
 - **NEVER force the battery pack into the charger. DO NOT modify the battery pack in any way to fit into a non-compatible charger as battery pack may rupture causing serious personal injury.** Consult the chart at the end of this manual for compatibility of batteries and chargers.
 - Charge the battery packs only in DeWALT chargers.
 - **DO NOT splash or immerse in water or other liquids.**
 - **Do not store or use the tool and battery pack in locations where the temperature may reach or exceed 104 °F (40 °C) (such as outside sheds or metal buildings in summer).** For best life store battery packs in a cool, dry location.
- NOTE: Do not store the battery packs in a tool with the trigger switch locked on. Never tape the trigger switch in the ON position.**
- **Do not expose battery pack or tool/appliance to fire or excessive temperature.** Exposure to fire or temperature above 265 °F (130 °C) may cause explosion.
 - **Do not incinerate the battery pack even if it is severely damaged or is completely worn out.** The battery pack can explode in a fire. Toxic fumes and materials are created when lithium-ion battery packs are burned.
 - **If battery contents come into contact with the skin, immediately wash area with mild soap and water.** If battery liquid gets into the eye, rinse water over the open eye for 15 minutes or until irritation ceases. If medical attention is needed, the battery electrolyte is composed of a mixture of liquid organic carbonates and lithium salts.
 - **Contents of opened battery cells may cause respiratory irritation.** Provide fresh air. If symptoms persist, seek medical attention.

WARNING: Burn hazard. Battery liquid may be flammable if exposed to spark or flame.

WARNING: Fire hazard. Never attempt to open the battery pack for any reason. If the battery pack case is cracked or damaged, do not insert into the charger. Do not crush, drop or damage the battery pack. Do not use a battery pack or charger that has received a sharp blow, been dropped, run over or damaged in any way (e.g., pierced with a nail, hit

with a hammer, stepped on). Damaged battery packs should be returned to the service center for recycling.

Storage Recommendations

1. The best storage place is one that is cool and dry, away from direct sunlight and excess heat or cold.
2. For long storage, it is recommended to store a fully charged battery pack in a cool dry place out of the charger for optimal results.

NOTE: Battery packs should not be stored completely depleted of charge. The battery pack will need to be recharged before use.

Battery Pack Cleaning Instructions

Dirt and grease may be removed from the exterior of the battery using a cloth or soft non-metallic brush. Do not use water or any cleaning solutions.

Fuel Gauge Battery Packs

Some DeWALT battery packs include a fuel gauge which consists of three green LED lights that indicate the level of charge remaining in the battery pack.

The fuel gauge is an indication of approximate levels of charge remaining in the battery pack according to the following indicators:



To actuate the fuel gauge, press and hold the fuel gauge button. A combination of the three green LED lights will illuminate designating the level of charge left. When the level of charge in the battery is below the usable limit, the fuel gauge will not illuminate and the battery will need to be recharged.

NOTE: The fuel gauge is only an indication of the charge left on the battery pack. It does not indicate tool functionality and is subject to variation based on product components, temperature and end-user application.

For more information regarding fuel gauge battery packs, please contact 1-800-4-DeWALT (1-800-433-9258) or visit our website www.dewalt.com.

Transportation

WARNING: Fire hazard. Do not store or carry the battery pack so that metal objects can contact exposed battery terminals. For example, do not place the battery pack in aprons, pockets, tool boxes, product kit boxes, drawers, etc., with loose nails, screws, keys, etc. **Transporting batteries can possibly cause fires if the battery terminals inadvertently come in contact with conductive materials such as keys, coins,**

hand tools and the like. The US Department of Transportation Hazardous Material Regulations (HMR) actually prohibit transporting batteries in commerce or on airplanes in carry-on baggage UNLESS they are properly protected from short circuits. So when transporting individual battery packs, make sure that the battery terminals are protected and well insulated from materials that could contact them and cause a short circuit. **NOTE:** Li-ion batteries should not be put in checked baggage.

The RBRC® Seal

The RBRC® (Rechargeable Battery Recycling Corporation) Seal on the nickel cadmium, nickel metal hydride or lithium-ion batteries (or battery packs) indicates that the costs to recycle these batteries (or battery packs) at the end of their useful life have already been paid by DEWALT. In some areas, it is illegal to place spent nickel cadmium, nickel metal hydride or lithium-ion batteries in the trash or municipal solid waste stream and the Call 2 Recycle® program provides an environmentally conscious alternative.

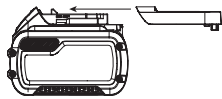
Call 2 Recycle, Inc., in cooperation with DEWALT and other battery users, has established the program in the United States and Canada to facilitate the collection of spent nickel cadmium, nickel metal hydride or lithium-ion batteries. Help protect our environment and conserve natural resources by returning the spent nickel cadmium, nickel metal hydride or lithium-ion batteries to an authorized DEWALT service center or to your local retailer for recycling. You may also contact your local recycling center for information on where to drop off the spent battery. RBRC® is a registered trademark of Call 2 Recycle, Inc.

Shipping the DEWALT FLEXVOLT™ Battery

The DEWALT FLEXVOLT™ battery has two modes: **Use** and **Shipping**.

Use Mode: When the FLEXVOLT™ battery stands alone or is in a DEWALT 20V Max* product, it will operate as a 20V Max* battery. When the FLEXVOLT™ battery is in a 60V Max* or a 120V Max* (two 60V Max* batteries) product, it will operate as a 60V Max* battery.

Shipping Mode: When the cap is attached to the FLEXVOLT™ battery, the battery is in Shipping Mode. Strings of cells are



electrically disconnected within the pack resulting in three batteries with a lower Watt hour (Wh) rating as compared to one battery with a higher Watt hour rating. This increased quantity of three batteries with the lower Watt hour rating can exempt the pack from certain shipping regulations that are imposed upon the higher Watt hour batteries.

The battery label indicates two Watt hour ratings (see example). Depending on how the battery is shipped, the appropriate Watt hour rating must be used to determine the applicable shipping requirements. If utilizing the shipping cap, the pack will be considered 3 batteries at the Watt hour rating indicated for "Shipping". If shipping without the cap or

in a tool, the pack will be considered one battery at the Watt hour rating indicated next to "Use".

Example of Use and Shipping Label Marking

USE: 120 Wh Shipping: 3 x 40 Wh

For example, Shipping Wh rating might indicate 3 x 40 Wh, meaning 3 batteries of 40 Watt hours each. The Use Wh rating might indicate 120 Wh (1 battery implied).

Important Safety Instructions for All Battery Chargers



WARNING: Read all safety warnings, instructions, and cautionary markings for the battery pack, charger and product. Failure to follow the warnings and instructions may result in electric shock, fire and/or serious injury.

- **DO NOT attempt to charge the battery pack with any chargers other than a DEWALT charger.** DEWALT chargers and battery packs are specifically designed to work together.
- **These chargers are not intended for any uses other than charging DEWALT rechargeable batteries.** Any other uses may result in risk of fire, electric shock or electrocution.
- **Do not expose the charger to rain or snow.**
- **Pull by the plug rather than the cord when disconnecting the charger.** This will reduce the risk of damage to the electric plug and cord.
- **Make sure that the cord is located so that it will not be stepped on, tripped over or otherwise subjected to damage or stress.**
- **Do not use an extension cord unless it is absolutely necessary.** Use of improper extension cord could result in risk of fire, electric shock or electrocution.
- **When operating a charger outdoors, always provide a dry location and use an extension cord suitable for outdoor use.** Use of a cord suitable for outdoor use reduces the risk of electric shock.
- **An extension cord must have adequate wire size (AWG or American Wire Gauge) for safety.** The smaller the gauge number of the wire, the greater the capacity of the cable, that is, 16 gauge has more capacity than 18 gauge. An undersized cord will cause a drop in line voltage resulting in loss of power and overheating. When using more than one extension to make up the total length, be sure each individual extension contains at least the minimum wire size. The following table shows the correct size to use depending on cord length and nameplate ampere rating. If in doubt, use the next heavier gauge. The lower the gauge number, the heavier the cord.

Minimum Gauge for Cord Sets

Volts	Total Length of Cord in Feet (meters)					
	120V	25 (7.6)	50 (15.2)	100 (30.5)	150 (45.7)	
240V	50 (15.2)	100 (30.5)	200 (61.0)	300 (91.4)		
Ampere Rating		American Wire Gauge				
More Than	Not More Than					
0	6	18	16	16	14	
6	10	18	16	14	12	
10	12	16	16	14	12	
12	16	14	12	Not Recommended		

WARNING: If the plug or power cord is damaged, it must be replaced by the manufacturer or its representative or by an equally qualified person to avoid danger.

- **Do not place any object on top of the charger or place the charger on a soft surface that might block the ventilation slots and result in excessive internal heat.** Place the charger in a position away from any heat source. The charger is ventilated through slots in the top and the bottom of the housing.
- **Do not operate the charger with a damaged cord or plug—have them replaced immediately.**
- **Do not operate the charger if it has received a sharp blow, been dropped or otherwise damaged in any way.** Take it to an authorized service center.
- **Do not disassemble the charger; take it to an authorized service center when service or repair is required.** Incorrect reassembly may result in a risk of electric shock, electrocution or fire.
- **Disconnect the charger from the outlet before attempting any cleaning. This will reduce the risk of electric shock.** Removing the battery pack will not reduce this risk.
- **NEVER attempt to connect 2 chargers together.**
- **The charger is designed to operate on standard 120V household electrical power. Do not attempt to use it on any other voltage.** This does not apply to the vehicular charger.

WARNING: Shock hazard. Do not allow any liquid to get inside the charger. Electric shock may result.

WARNING: Burn hazard. Do not submerge the battery pack in any liquid or allow any liquid to enter the battery pack. Never attempt to open the battery pack for any reason. If the plastic housing of the battery pack breaks or cracks, return to a service center for recycling.

CAUTION: Burn hazard. To reduce the risk of injury, charge only DEWALT rechargeable battery

packs. Other types of batteries may overheat and burst resulting in personal injury and property damage.

CAUTION: Under certain conditions, with the charger plugged into the power supply, the charger can be shorted by foreign material. Foreign materials of a conductive nature, such as, but not limited to, grinding dust, metal chips, steel wool, aluminum foil or any buildup of metallic particles should be kept away from the charger cavities. Always unplug the charger from the power supply when there is no battery pack in the cavity. Unplug the charger before attempting to clean.

Charging a Battery

NOTE: To ensure maximum performance and life of lithium-ion battery packs, charge the battery pack fully before first use.

1. Plug the charger into an appropriate outlet before inserting battery pack.
2. Connect the charger and battery pack, making sure the battery is fully seated. The (charging) light will blink continuously indicating that the charging process has started.
3. The completion of charge will be indicated by the light remaining ON continuously. The battery pack is fully charged and may be removed and used at this time or left in the charger.

NOTE: To remove the battery pack, some chargers require the battery pack release button to be pressed.

Indicators

 Charging		
 Fully Charged		
 Hot/Cold Pack Delay*		

*DCB107, DCB112, DCB113, DCB115, DCB118,

DCB132: The red light will continue to blink, but a yellow indicator light will be illuminated during this operation.

Once the battery pack has reached an appropriate temperature, the yellow light will turn off and the charger will resume the charging procedure.

A charger will not charge a faulty battery pack. The charger refusing to light could indicate a problem with the charger or a faulty battery pack.

NOTE: If the charger refuses to light, take the charger and battery pack to be tested at an authorized service center.

Leaving the Battery Pack In the Charger

The charger and battery pack can be left connected with the charge indicator showing pack charged.

Hot/Cold Pack Delay

When the charger detects a battery pack that is too hot or too cold, it automatically starts a Hot/Cold Pack Delay, suspending charging until the battery pack has reached an appropriate temperature. The charger then automatically

switches to the pack charging mode. This feature ensures maximum battery pack life.

A cold battery pack may charge at a slower rate than a warm battery pack.

The DCB118 charger is equipped with an internal fan designed to cool the battery pack. The fan will turn on automatically when the battery pack needs to be cooled.

Never operate the charger if the fan does not operate properly or if ventilation slots are blocked. Do not permit foreign objects to enter the interior of the charger.

Electronic Protection System


Li-Ion tools are designed with an Electronic Protection System that will protect the battery pack against overloading, overheating or deep discharge.

The tool will automatically turn off if the Electronic Protection System engages. If this occurs, place the lithium-ion battery pack on the charger until it is fully charged.

Important Charging Notes

1. Longest life and best performance can be obtained if the battery pack is charged when the air temperature is between 65 °F – 75 °F (18 °C – 24 °C). DO NOT charge when the battery pack is below +40 °F (+4.5 °C), or above +104 °F (+40 °C). This is important and will prevent serious damage to the battery pack.
2. The charger and battery pack may become warm to the touch while charging. This is a normal condition, and does not indicate a problem. To facilitate the cooling of the battery pack after use, avoid placing the charger or battery pack in a warm environment such as in a metal shed or an uninsulated trailer.
3. If the battery pack does not charge properly:
 - a. Check operation of receptacle by plugging in a lamp or other appliance;
 - b. Check to see if receptacle is connected to a light switch which turns power off when you turn out the lights;
 - c. Move the charger and battery pack to a location where the surrounding air temperature is approximately 65 °F – 75 °F (18 °C – 24 °C);
 - d. If charging problems persist, take the tool, battery pack and charger to your local service center.
4. The battery pack should be recharged when it fails to produce sufficient power on jobs which were easily done previously. DO NOT CONTINUE to use under these conditions. Follow the charging procedure. You may also charge a partially used pack whenever you desire with no adverse effect on the battery pack.
5. Foreign materials of a conductive nature such as, but not limited to, grinding dust, metal chips, steel wool, aluminum foil, or any buildup of metallic particles should be kept away from charger cavities. Always unplug the charger from the power supply when there is no battery pack in the cavity. Unplug the charger before attempting to clean.
6. Do not freeze or immerse the charger in water or any other liquid.

Charger Cleaning Instructions

 **WARNING:** *Shock hazard. Disconnect the charger from the AC outlet before cleaning. Dirt and grease may be removed from the exterior of the charger using a cloth or soft non-metallic brush. Do not use water or any cleaning solutions.*

Wall Mounting

DCB107, DCB112, DCB113, DCB115, DCB118, DCB132

These chargers are designed to be wall mountable or to sit upright on a table or work surface. If wall mounting, locate the charger within reach of an electrical outlet, and away from a corner or other obstructions which may impede air flow. Use the back of the charger as a template for the location of the mounting screws on the wall. Mount the charger securely using drywall screws (purchased separately) at least 1" (25.4 mm) long, with a screw head diameter of 0.28–0.35" (7–9 mm), screwed into wood to an optimal depth leaving approximately 7/32" (5.5 mm) of the screw exposed. Align the slots on the back of the charger with the exposed screws and fully engage them in the slots.

Intended Use

This string trimmers is designed for professional trimming applications. This product is not an edger and is not intended to be used for edging.


DO NOT use under wet conditions or in presence of flammable liquids or gases.

DO NOT let children come into contact with the tool. Supervision is required when inexperienced operators use this tool.

ASSEMBLY AND ADJUSTMENTS

 **WARNING:** *To reduce the risk of serious personal injury, turn unit off and remove the battery pack before making any adjustments or removing/installing attachments or accessories. An accidental start-up can cause injury.*

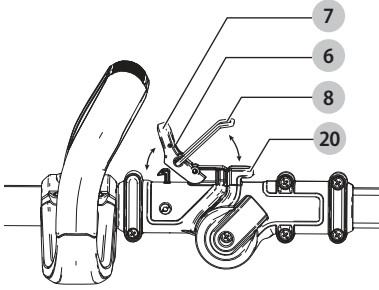
Extending and Folding the Pole (Fig. B)

 **WARNING:** *To reduce the risk of injury, do not operate the unit while folded. The unit must be fully extended and the pole clasp secured before the battery is inserted. Remove battery before folding the unit. Fold unit completely until it locks in place.*

1. To lock pole into straight use position, first ensure battery has been removed. Then flip up the locking lever **6** rotate pole latch **7** forward and place the pole clasp **8** over the clasp catch **20**. Rotate the pole latch **7** backwards until it locks securely into position. Check the locking lever to make sure it is properly locked in place.
2. To fold the pole for storage or transportation, first ensure battery has been removed. Then flip up the locking lever **17**, rotate pole latch **18** forward and lift the pole clasp **19** up and over the clasp catch **20**. Fold

the pole completely until the guard **9** securely locks into place over the rear of the battery housing **11**.

Fig. B



Attaching the Auxiliary Handle (Fig. A, C)

1. Place the auxiliary handle **4** on top of the handle base **23** so the upper trimmer pole **15** is between them.
2. Hold the auxiliary handle in place and slide the handle bolts **24** into the handle from the top, threading them into the handle base.
3. Tighten the handle bolts with the supplied hex wrench. Ensure the handle is securely attached.

Fig. C

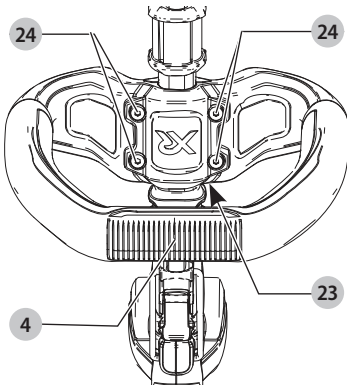


Fig. D

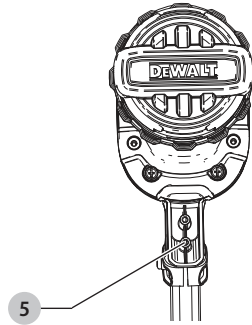
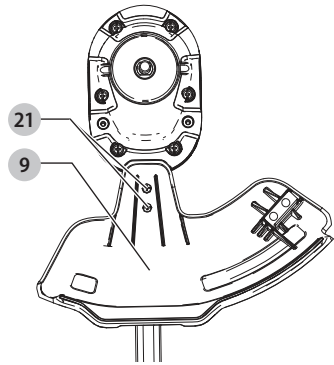


Fig. E



Attaching Guard (Fig. D, E)

WARNING: Never remove the guard. Damage or personal injury could result.

WARNING: NEVER OPERATE APPLIANCE WITHOUT GUARD FIRMLY IN PLACE. The guard must always be properly attached on the appliance to protect the user.

1. Assemble the guard **9** to the motor housing **5**.
2. Using a crosshead screwdriver, insert the 2 guard screws **21** and tighten securely.

NOTE: An extended coverage guard is available (sold separately) for extra coverage if desired. Use replacement guard Part Number N776035.

OPERATION

WARNING: To reduce the risk of serious personal injury, turn unit off and remove the battery pack before making any adjustments or removing/installing attachments or accessories. An accidental start-up can cause injury.

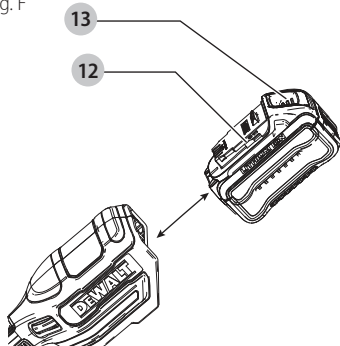
Installing and Removing the Battery Pack (Fig. F)

NOTE: For best results, make sure your battery pack is fully charged.

To install the battery pack **12** into the tool handle, align the battery pack with the rails inside the tool's handle and slide it into the handle until the battery pack is firmly seated in the tool and ensure that it does not disengage.

To remove the battery pack from the tool, press the release button **13** and firmly pull the battery pack out of the tool handle. Insert it into the charger as described in the charger section of this manual

Fig. F



Proper Hand Position (Fig. G)

! WARNING: To reduce the risk of serious personal injury, **ALWAYS** use proper hand position as shown.

! WARNING: To reduce the risk of serious personal injury, **ALWAYS** hold securely in anticipation of a sudden reaction.

! WARNING: Always use proper eye protection that conforms to ANSI Z87.1 (CAN/CSA Z94.3) while operating this appliance.

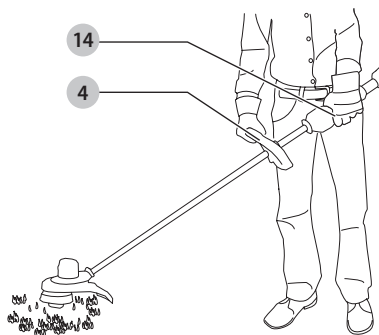
! WARNING: Remove the battery before making any assembly, adjustments, or changing accessories. Such preventive safety measures reduce the risk of starting the **TRIMMER** accidentally.

! CAUTION: Before you begin trimming, only use the appropriate type of cutting line.

! CAUTION: Inspect area to be trimmed and remove any wire, cord, or string-like objects which could become entangled in the rotating line or spool. Be particularly careful to avoid any wire which might be bent outwardly into the path of the appliance, such as barbs at the base of a chain link fence.

Proper hand position requires one hand on the primary handle **14** and one hand on the auxiliary handle **4**.

Fig. G



Switching Trimmer On and Off (Fig. A)

To turn the appliance on, squeeze the lock-off button **2** and then the variable speed trigger **1**.

To turn the appliance off, release the variable speed trigger and the lock-off button.

! WARNING: Never attempt to lock the trigger in the on position.

Speed Control Switch (Fig. A)

This string trimmer gives you the choice to operate at a more efficient speed to extend the runtime for larger jobs, or accelerate the trimmer speed for high-performance cutting.

To extend runtime, push the speed control switch **3** forward toward the auxiliary handle **4** into the "LO" position. This mode is best for larger projects that require more time to complete.

To accelerate the trimmer, pull the speed control switch back toward the battery housing **11** into the "HI" position. This mode is best to cut through heavier growth and for applications that need higher RPM.

NOTE: When in "HI" mode, runtime will be decreased as compared to when trimmer is in "LO" mode.

Trimming (Fig. H, I)

With the trimmer on, angle it and swing side to side as shown in Fig. H.

Maintain a minimum distance of 24" (610 mm) between the guard and your feet as shown in Fig. I.

! WARNING: Keep the rotating string roughly parallel with the ground (tilted no more than 30 degrees). This trimmer is not an edger. **DO NOT TILT** the trimmer so that the string is spinning near a right angle to the ground. Flying debris can cause serious injury.

Fig. H

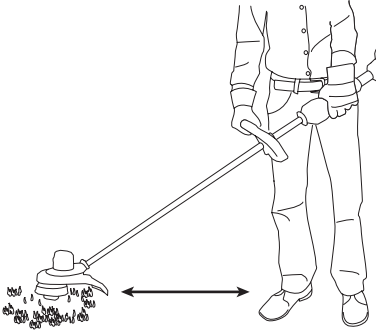
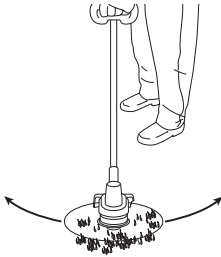


Fig. I



Bump Feed Trimmer Line Feed

Your trimmer uses 0.080" (2.0 mm) diameter nylon line. Cutting line will wear faster and require more feeding if the cutting is done along sidewalks or other abrasive surfaces or heavier weeds are being cut.

As you use the trimmer, the string will get shorter due to wear. Gently bump the trimmer on the ground while running at normal speed and the line will feed.

NOTE: Extending nylon line beyond the 14" (355 mm) swath will negatively affect performance, runtime, and the life of the trimmer due to potential of damaging motor. Doing so may void the warranty.

Helpful Cutting Tips

- Use the tip of the string to do the cutting; do not force string head into uncut grass.
- Wire and picket fences cause extra string wear, even breakage. Stone and brick walls, curbs, and wood may wear string rapidly.
- Do not allow spool cap to drag on ground or other surfaces.
- In long growth, cut from the top down and do not exceed 12" (304.8 mm) high.
- Keep trimmer tilted toward the area being cut; this is the best cutting area.
- The trimmer cuts when passing the unit from the left to right. This will avoid throwing debris at the operator.
- Avoid trees and shrubs. Tree bark, wood moldings, siding, and fence posts can easily be damaged by the string.

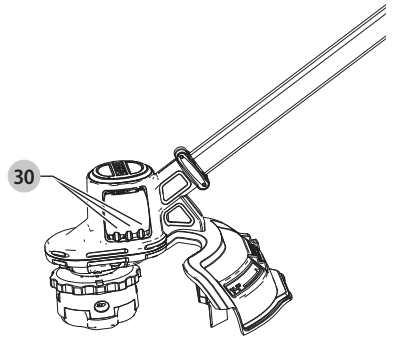
MAINTENANCE

WARNING: To reduce the risk of serious personal injury, turn unit off and remove the battery pack before making any adjustments or removing/installing attachments or accessories. An accidental start-up can cause injury.

Maintenance Treatments (Fig. J)

- Keep the air intake slots **30** clean to avoid overheating (Fig. J).
- Your trimmer line can dry out over time. To keep your line in top condition, store spare line in a plastic, sealable bag with a tablespoon of water.
- Plastic parts may be cleaned by using a mild soap and a damp rag.
- The line cutter on the edge of the guard can dull over time. It is recommended you periodically touch-up the sharpness of the blade with a file.

Fig. J



Replacement Accessories

WARNING: To reduce the risk of serious personal injury, turn appliance off and remove battery before making any adjustments or removing/installing attachments or accessories.

WARNING: The use of any accessory not recommended by DEWALT for use with this appliance could be hazardous.

WARNING: Do not use any blades, or any accessory or attachment other than those recommended by DEWALT on this trimmer. Serious injury or product damage may result.

Use DEWALT replacement line Model No. DWO1DT801 or DWO1DT802.

When replacing the line, use only .080" (2.0 mm) diameter line (Model No. DWO1DT801 or DWO1DT802 are is

recommended). Other sizes may degrade performance or cause damage to the trimmer.

Reloading the Cutting Line (Fig. K–M)

WARNING: To reduce the risk of serious personal injury, turn unit off and remove the battery pack before making any adjustments or removing/installing attachments or accessories, when replacing line, or prior to cleaning. An accidental start-up can cause injury.

CAUTION: Use only DEWALT replacement spools and line. Using any other manufacturer's line can reduce performance, damage the trimmer or cause personal injury. Your trimmer uses 0.080" (2.0 mm) diameter line that is spiral-shaped with smooth round edges. Do not use other size lines. This can degrade performance, cause damage to the unit or injury.

CAUTION: To avoid appliance damage, if the cutting line protrudes beyond the trimming blade, cut it off so that it just reaches the blade.

Use only DEWALT replacement line.

1. Remove battery.
2. Cut a max of 20' (6 m) length of 0.080" (2.0 mm) trimmer line.
3. Align spool housing eyelets **26** with the arrow **27** on the spool grip cover **29** as shown in Fig. K.
4. Thread one end of the trimmer line through an eyelet. Guide the line through to the second eyelet and continue to pull the line through until there are equal lengths of string on each side of the spool housing as shown in Fig. L.
5. Secure the spool cap from moving with one hand. Using your other hand, wind the string onto the spool by rotating the spool grip cover counterclockwise. Continue winding until 5" (130 mm) of string remain on each side of the spool housing.

Fig. K

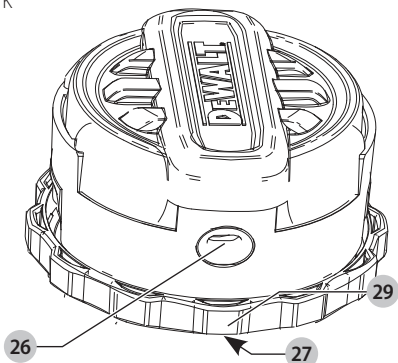


Fig. L

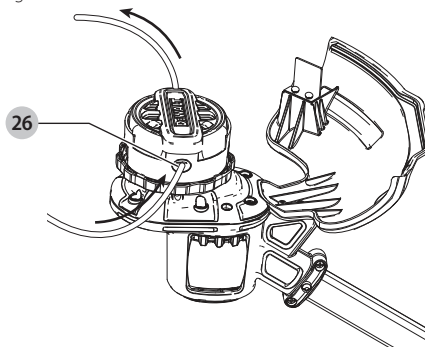
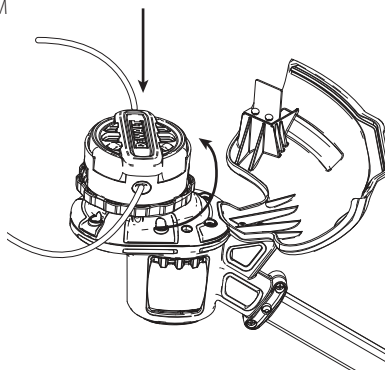


Fig. M



Cleaning

WARNING: Blow dirt and dust out of all air vents with clean, dry air at least once a week. To minimize the risk of eye injury, always wear ANSI Z87.1 approved eye protection when performing this procedure.

WARNING: Never use solvents or other harsh chemicals for cleaning the non-metallic parts of the tool. These chemicals may weaken the plastic materials used in these parts. Use a cloth dampened only with water and mild soap. Never let any liquid get inside the tool; never immerse any part of the tool into a liquid.

Accessories

WARNING: *Since accessories, other than those offered by DEWALT, have not been tested with this product, use of such accessories with this tool could be hazardous. To reduce the risk of injury, only DEWALT recommended accessories should be used with this product.*

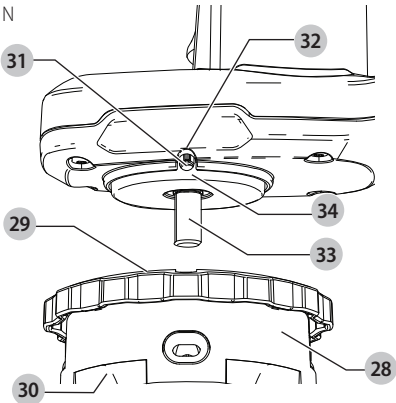
Recommended accessories for use with your tool are available at extra cost from your local dealer or authorized service center. If you need assistance in locating any accessory, please contact DEWALT call 1-800-4-DEWALT (1-800-433-9258) or visit our website: www.dewalt.com.

Replacement Accessories

Replacing Spool Assembly (Fig. A, N)

1. Rotate the spool housing **10** until the hole **31** in the spindle plate aligns with notch **32** in the motor housing. Insert a screwdriver through the notch and into the hole, to prevent the spindle from turning.
2. Unscrew and remove the spool housing by turning the spool grip cover **29** clockwise.
NOTE: Do not try to remove the spool by turning the spool housing **28**.
3. Remove spindle plate **34** before installing a new spool. Remove any dirt and grass from the motor housing and spindle plate.
4. Install spindle plate **34** onto the spindle **33**, so the double D shaped retaining nut on the spindle sits inside the base of the spindle plate.
5. Align the spindle plate hole and notch, insert a screwdriver back into the hole and thread the new spool housing counterclockwise. Securely tighten the new spool housing onto the spindle **33**.

Fig. N



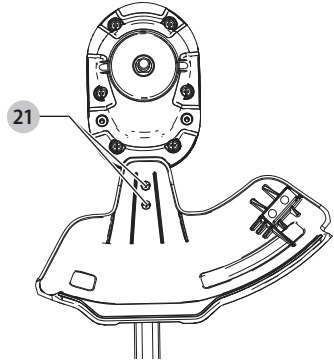
Replacing Guard (Fig. O)

An extended coverage guard is available (sold separately) for extra coverage if desired. Use DEWALT replacement guard Part Number N496261.

WARNING: *Never operate appliance without guard firmly in place.*

1. Remove the 2 guard screws **21**.
2. Attach the new guard as described in the **Attaching Guard** section.

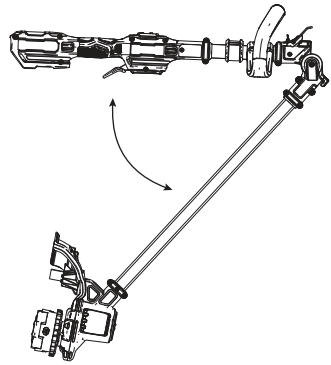
Fig. O



Folding for Storage or Transportation (Fig. P)

The string trimmer can be folded for storage or transportation. To put the string trimmer in the folded position, please refer to **Extending and Folding the Pole**.

Fig. P



Repairs

The charger and battery pack are not serviceable. There are no serviceable parts inside the charger or battery pack.

WARNING: *To assure product SAFETY and RELIABILITY, repairs, maintenance and adjustment (including brush inspection and replacement, when applicable) should be performed by a DEWALT factory service center or a DEWALT authorized service center. Always use identical replacement parts.*

Register Online

Thank you for your purchase. Register your product now for:

- **WARRANTY SERVICE:** Registering your product will help you obtain more efficient warranty service in case there is a problem with your product.
- **CONFIRMATION OF OWNERSHIP:** In case of an insurance loss, such as fire, flood or theft, your registration of ownership will serve as your proof of purchase.
- **FOR YOUR SAFETY:** Registering your product will allow us to contact you in the unlikely event a safety notification is required under the Federal Consumer Safety Act.
- Register online at **www.dewalt.com**

Three Year Limited Warranty

DeWALT will repair or replace, without charge, any defects due to faulty materials or workmanship for three years from the date of purchase (two years for batteries). This warranty does not cover part failure due to normal wear or tool abuse. For further detail of warranty coverage and warranty repair information, visit **www.dewalt.com** or call 1-800-4-DeWALT (1-800-433-9258). This warranty does not apply to accessories or damage caused where repairs have been made or attempted by others. THIS LIMITED WARRANTY IS GIVEN IN LIEU OF ALL OTHERS, INCLUDING THE IMPLIED WARRANTY OF MERCHANTABILITY AND FITNESS FOR A PARTICULAR PURPOSE, AND EXCLUDES ALL INCIDENTAL OR CONSEQUENTIAL DAMAGES. Some states do not allow limitations on how long an implied warranty lasts or the exclusion or limitation of incidental or consequential damages, so these limitations may not apply to you. This warranty gives you specific legal rights and you may have other rights which vary in certain states or provinces.

In addition to the warranty DeWALT tools are covered by our:

1 YEAR FREE SERVICE

DeWALT will maintain the tool and replace worn parts caused by normal use, for free, any time during the first year after purchase.

2 YEARS FREE SERVICE ON DeWALT BATTERY PACKS

DC9071, DC9091, DC9096, DC9182, DC9280, DC9360,
DCB120, DCB122, DCB124, DCB127, DCB201, DCB203BT,
DCB207, DCB361

3 YEARS FREE SERVICE ON DeWALT BATTERY PACKS

DCB200, DCB203, DCB204, DCB204BT, DCB205, DCB205BT,
DCB206, DCB230, DCB606, DCB609, DCB612

NOTE: Battery warranty voided if the battery pack is tampered with in any way. DeWALT is not responsible for any injury caused by tampering and may prosecute warranty fraud to the fullest extent permitted by law.

90 DAY MONEY BACK GUARANTEE

If you are not completely satisfied with the performance of your DeWALT Power Tool or Nailer for any reason, you can return it within 90 days from the date of purchase with a receipt for a full refund – no questions asked.

LATIN AMERICA: This warranty does not apply to products sold in Latin America. For products sold in Latin America, see country specific warranty information contained in the packaging, call the local company or see website for warranty information.

FREE WARNING LABEL REPLACEMENT: If your warning labels become illegible or are missing, call 1-800-4-DeWALT (1-800-433-9258) for a free replacement.

Définitions : symboles et termes d'alarmes sécurité

Ces guides d'utilisation utilisent les symboles et termes d'alarmes sécurité suivants pour vous prévenir de situations dangereuses et de risques de dommages corporels ou matériels.

⚠ DANGER : indique une situation dangereuse imminente qui, si elle n'est pas évitée, **entraînera la mort ou des blessures graves.**

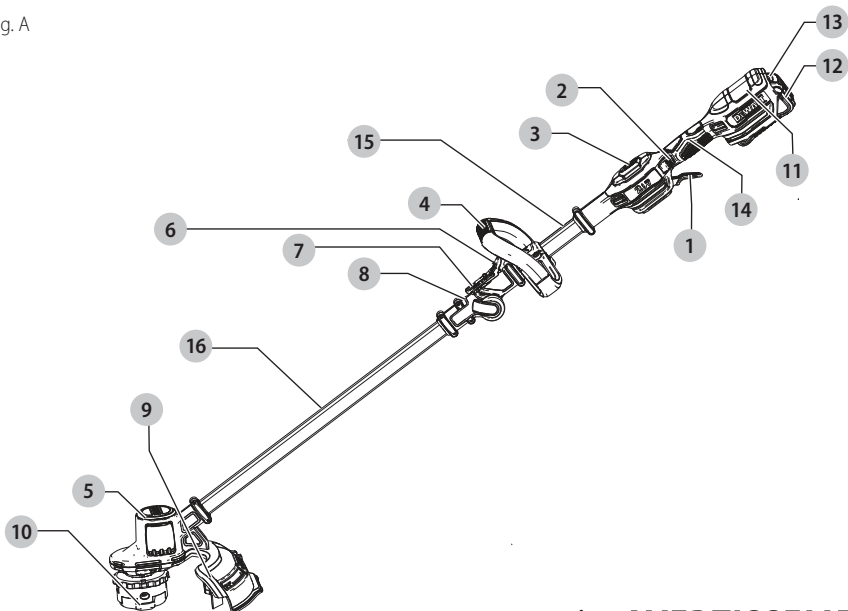
⚠ AVERTISSEMENT : indique une situation potentiellement dangereuse qui, si elle n'est pas évitée, **pourrait entraîner la mort ou des blessures graves.**

⚠ ATTENTION : indique une situation potentiellement dangereuse qui, si elle n'est pas évitée, **pourrait entraîner des blessures légères ou modérées.**

⚠ (Si utilisé sans aucun terme) Indique un message propre à la sécurité.

AVIS : indique une pratique ne posant **aucun risque de dommages corporels** mais qui par contre, si rien n'est fait pour l'éviter, **pourrait poser des risques de dommages matériels.**

Fig. A



- | | |
|-----------------------------------|---------------------------------------|
| 1 Gâchette de vitesse variable | 9 Protecteur |
| 2 Bouton de verrouillage | 10 Boîtier de la bobine |
| 3 Bouton de réglage de la vitesse | 11 Boîtier de la pile |
| 4 Poignée auxiliaire | 12 Bloc-piles |
| 5 Boîtier du moteur | 13 Bouton de libération du bloc-piles |
| 6 Levier de verrouillage | 14 Poignée |
| 7 Verrou de la tige | 15 Tige supérieure |
| 8 Fermeur de la tige | 16 Tige inférieure |

⚠ AVERTISSEMENT : lire tous les avertissements de sécurité et toutes les directives. Le non-respect des avertissements et des directives pourrait se solder par un choc électrique, un incendie et/ou une blessure grave.



AVERTISSEMENT : afin de réduire le risque de blessures, lire le mode d'emploi de l'outil.

Pour toute question ou remarque au sujet de cet outil ou de tout autre outil DEWALT composez le numéro sans frais : (1-800-433-9258).

Taille-bordure 20V max* DCST922

CONSIGNES IMPORTANTES DE SÉCURITÉ

⚠ AVERTISSEMENT : afin de réduire le risque de blessure :

- Avant toute utilisation, assurez-vous que toutes les personnes qui utiliseront l'outil lisent et comprennent toutes les consignes de sécurité et les autres renseignements compris dans le présent manuel.
- Conservez ces instructions et consultez-les souvent.

⚠ AVERTISSEMENT : lors de l'utilisation d'outils de jardinage électriques, les mesures de précaution de base devraient toujours être prises pour réduire la possibilité d'incendie, de choc électrique et de blessures, en suivant les recommandations suivantes.

1. **Évitez les environnements dangereux** – ne pas utiliser des appareils dans des endroits humides ou mouillés.
2. **Ne pas utiliser sous la pluie.**
3. **Gardez les enfants éloignés** – tous les visiteurs devraient être gardés à une distance sécuritaire de l'aire de travail.
4. **Portez des vêtements appropriés** – ne pas porter des vêtements amples ou des bijoux. Ils peuvent se coincer dans les pièces qui se déplacent. L'utilisation de gants en caoutchouc et de très bonnes chaussures est recommandée lors du travail extérieur. Portez une protection pour vos cheveux afin de les retenir.
5. **Utilisez des lunettes de sécurité** – utilisez un masque facial ou antipoussières s'il y a de la poussière durant l'utilisation.
6. **Utilisez le bon outil** – ne pas utiliser cet outil pour toute tâche autre que celles pour lesquelles il est conçu.
7. **Ne pas saisir les lames de coupe exposées ou les bords coupants lorsque vous prenez ou tenez l'appareil.**
8. **Ne pas forcer l'outil** – le travail sera mieux fait et avec moins de probabilité de risque à la vitesse pour laquelle il a été conçu.
9. **Ne pas s'étirer** – maintenez vos pieds bien d'aplomb sur le sol et un bon équilibre en tout temps.
10. **Demeurez vigilant** – regardez ce que vous faites. Faites preuve de bon sens. Ne pas utiliser l'appareil lorsque vous êtes fatigué.
11. **Débranchez l'appareil** – retirez le bloc-piles lorsque vous ne l'utilisez pas, avant de réparer, lorsque vous changez les accessoires comme les lames et autres.
12. **Entreposez les outils arrêtés à l'intérieur** – lorsqu'ils ne sont pas utilisés, les outils doivent être entreposés à

l'intérieur dans un endroit sec et élevé ou verrouillé hors de portée des enfants.

13. **Entretenez soigneusement l'outil** – gardez bords coupants aiguisés et nettoyez pour une meilleure performance et afin de réduire le risque de blessure. Pour lubrifier l'outil et remplacer les accessoires, suivez les directives du manuel. Inspectez régulièrement la source d'alimentation et si elle est endommagée, faites-la réparer dans un établissement de services autorisé. Gardez vos mains sèches, propres et exemptes de graisse et de poussière.
14. **Vérifiez les pièces endommagées** – avant toute utilisation ultérieure de l'outil, un protecteur ou une autre pièce qui est endommagé doit être soigneusement vérifié afin de déterminer s'il fonctionnera correctement et s'il effectuera la fonction prévue. Vérifiez l'alignement des pièces qui se déplacent, les fixations des pièces qui se déplacent, le bris des pièces, le montage et tout autre état qui peut affecter son utilisation. Un protecteur ou une autre pièce qui est endommagé doit être convenablement réparé ou remplacé par un centre de services autorisé sauf si c'est indiqué ailleurs dans ce manuel.

CONSERVEZ CES INSTRUCTIONS

Avertissements de sécurité supplémentaires

⚠ AVERTISSEMENT : pour réduire le risque de blessures par ricochet, travaillez en vous éloignant de tout objet solide tel un mur, des marches, de grosses pierres, des arbres, etc.

- **PROTECTEUR :** ne pas utiliser cet outil sans avoir fixé le protecteur.
- **PORTEZ DES VÊTEMENTS APPROPRIÉS :** ne pas porter des vêtements amples ou des bijoux. Ils peuvent se coincer dans les pièces qui se déplacent. Les gants et les chaussures à semelles en caoutchouc solides sont recommandés lorsque vous travaillez à l'extérieur. Ne pas utiliser cet outil lorsque vous êtes pieds nus ou que vous portez des sandales ouvertes. Portez des pantalons longs pour protéger vos jambes. Portez une protection pour vos cheveux afin de les retenir.
- **GARDEZ VOTRE VISAGE, VOS MAINS ET VOS PIEDS HORS DE PORTEZ DU FIL EN ROTATION EN TOUT TEMPS.** Le fil en rotation a une fonction de coupe : faites attention lorsque vous coupez autour des moustiquaires et des plantes désirables.
- **GARDEZ TOUS LES PASSANTS ÉLOIGNÉS :** à une distance sécuritaire de la zone de travail, particulièrement les enfants. ASSUREZ-VOUS que les autres personnes et les animaux sont à une distance d'au moins (100 pi).
- **FAITES TRÈS ATTENTION** lorsque vous travaillez près d'objets solides et au besoin, taillez à la main.

- **ÉVITEZ LES DÉMARRAGES ACCIDENTELS** – ne pas transporter avec votre doigt sur la gâchette si la pile est installée.
- **DOMMAGES À L'OUTIL** – si vous frappez ou si vous vous emmêlez avec un objet étranger, arrêtez immédiatement l'outil, retirez la pile, vérifiez les dommages et faites réparer les dommages avant de tenter de le réutiliser. Ne pas l'utiliser avec un moyeu ou une bobine brisée.
- **NE PAS UTILISER** les outils électriques portatifs dans une atmosphère gazeuse ou explosive. Les moteurs de ces outils produisent des étincelles et ces étincelles pourraient enflammer les vapeurs.
- **DEMEUREZ VIGILANT** – ne pas utiliser cet outil lorsque vous êtes fatigué, malade ou sous l'influence de l'alcool, de drogues ou de médicaments.
- **NE PAS** immerger l'outil dans l'eau ou l'asperger avec un tuyau.
- **NE PAS** laisser pénétrer tout liquide à l'intérieur. Si l'outil est mouillé, laissez-le sécher pendant au moins 48 heures.
- **NE PAS** nettoyer avec une laveuse à pression.
- **NE PAS** entreposer l'outil sur ou près de fertilisants ou de produits chimiques.
- **AFIN DE RÉDUIRE LE RISQUE DE BLESSURES**, ne pas utiliser l'unité si pliée. L'unité doit être en pleine extension et le fermoir de la tige fixé avant d'insérer la pile.
- **RETIREZ LA PILE AVANT DE PLIER L'UNITÉ.** Pliez complètement l'unité jusqu'à ce qu'elle se verrouille.

ATTENTION : utilisez seulement des bobines et du fil de remplacement DEWALT. Utiliser un fil de tout autre fabricant peut réduire la performance, endommager la taille-bordure ou causer une blessure corporelle. Votre taille-bordure utilise un fil ayant un diamètre de 2,0 mm (0,080 pouce). Ne pas utiliser d'autres formats de fil. Cela peut réduire la performance, causer des dommages à l'outil ou une blessure.

AVERTISSEMENT : si la gâchette ne met pas l'outil en marche ou si elle ne l'éteint pas, ne pas se servir de l'outil. Tout outil qui ne peut être contrôlé avec la gâchette est dangereux et doit être réparé.

Consigne de sécurité supplémentaire

AVERTISSEMENT : ne jamais modifier l'outil électrique ni aucun de ses composants, car il y a risques de dommages corporels ou matériels.

AVERTISSEMENT : porter **SYSTEMATIQUÉMENT** des lunettes de protection. Les lunettes courantes **NE** sont **PAS** des lunettes de protection. Utiliser aussi un masque antipoussières si l'opération est poussiéreuse. **PORTER SYSTEMATIQUÉMENT UN ÉQUIPEMENT DE SÉCURITÉ HOMOLOGUÉ :**

- Protection oculaire ANSI Z87.1 (CAN/CSA Z94.3) ;

- Protection auditive ANSI S12.6 (S3.19) ;
- Protection des voies respiratoires NIOSH/ OSHA/ MSHA.

AVERTISSEMENT : certaines poussières contiennent des produits chimiques reconnus dans l'État de la Californie pour causer le cancer et des anomalies congénitales ou autres effets nuisibles sur la reproduction. Certains exemples de ces produits chimiques sont :

- des composants de fertilisants,
- des composants d'insecticides, d'herbicides et de pesticides,
- l'arsenic et le chrome provenant du bois de construction traité chimiquement.

Pour réduire votre exposition à ces produits chimiques, portez un équipement de sécurité approuvé, comme un masque antipoussières spécialement conçu pour filtrer les particules microscopiques.

AVERTISSEMENT : cet outil peut produire et/ou répandre de la poussière susceptible de causer des dommages sérieux et permanents au système respiratoire. Utiliser systématiquement un appareil de protection des voies respiratoires homologué par le NIOSH ou l'OSHA. Diriger les particules dans le sens opposé au visage et au corps.

AVERTISSEMENT : pendant l'utilisation, porter systématiquement une protection auditive individuelle adéquate homologuée ANSI S12.6 (S3.19). Sous certaines conditions et suivant la durée d'utilisation, le bruit émanant de ce produit pourrait contribuer à une perte de l'acuité auditive.

ATTENTION : après utilisation, ranger l'outil sur son côté, sur une surface stable, là où il ne pourra ni faire trébucher ni faire chuter quelqu'un. Certains outils équipés d'un large bloc-piles peuvent tenir à la verticale sur celui-ci, mais manquent alors de stabilité.

- Prendre des précautions à proximité des événements, car ils cachent des pièces mobiles. Vêtements amples, bijoux ou cheveux longs risquent de rester coincés dans ces pièces mobiles.

L'étiquette apposée sur votre outil peut inclure les symboles suivants. Les symboles et leur définition sont indiqués ci-après :

V..... volts	W..... watts
Hz..... hertz	~ ou AC..... courant alternatif
min..... minutes	⚡ ou AC/DC... courant alternatif ou continu
— ou DC..... courant continu	□..... fabrication classe II (double isolation)
Ⓜ..... fabrication classe I (mis à la terre)	□..... fabrication classe II (double isolation)
.../min..... par minute	n ₀ vitesse à vide
BPM..... battements par minute	n..... vitesse nominale
IPM..... impacts par minute	⊕..... borne de terre
RPM..... révolutions par minute	⚠..... symbole d'avertissement
sfpm (plpm)..... pieds linéaires par minute	⚠..... radiation visible
SFM (FPM)..... fréquence par minute	☁..... protection respiratoire
OPM..... oscillations por minuto	👁..... protection oculaire
A..... ampères	👂..... protection auditive
IPXX..... symbole IP	📄..... lire toute la documentation

BLOCS-PILES ET CHARGEURS

Le bloc-piles n'est pas totalement chargé d'usine. Avant d'utiliser le bloc-piles et le chargeur, lire les consignes de sécurité ci-après puis suivre la procédure de chargement indiquée. Pour commander un bloc-piles de rechange, s'assurer d'en inclure le numéro de catalogue et la tension.

LIRE TOUTES LES CONSIGNES

Consignes importantes de sécurité les blocs-piles

AVERTISSEMENT : lisez toutes les consignes de sécurité, les instructions et les symboles d'avertissements du bloc-piles, du chargeur et du produit. Tout manquement aux avertissements et instructions pose des risques de décharges électriques, d'incendie et/ou de blessures graves.

- **Ne pas recharger ou utiliser un bloc-piles en milieu déflagrant, en présence, par exemple, de poussières, gaz ou liquides inflammables.** Le fait d'insérer ou retirer un bloc-piles de son chargeur pourrait causer l'inflammation de poussières ou d'émanations.
- **Lorsque non utilisé, garder le bloc-piles éloigné de petits objets métalliques comme des trombones attache-feuilles, des pièces de monnaie, des clés, des clous et vis ou autres pièces qui pourraient court-circuiter les bornes.** Un court-circuit pourrait causer des brûlures ou un incendie.
- **NE JAMAIS forcer l'insertion d'un bloc-piles dans un chargeur. NE modifier un bloc-piles d'AUCUNE façon pour le faire rentrer dans un chargeur incompatible,**

car il pourrait se briser et causer des dommages corporels graves. Consulter le tableau en dernière page de ce manuel pour connaître les compatibilités entre chargeurs et blocs-piles.

- **Recharger les blocs-piles exclusivement dans des chargeurs DeWALT.**
- **NE PAS** éclabousser le bloc-piles ou l'immerger dans l'eau ou dans tout autre liquide.
- **Ne pas entreposer ou utiliser l'appareil et le bloc-piles en présence de températures ambiantes pouvant excéder 40 °C (104 °F) (comme dans des hangars ou des bâtiments métalliques l'été).** Pour préserver leur durée de vie, entreposer les blocs-piles dans un endroit frais et sec.

REMARQUE : ne pas mettre un bloc-piles dans un outil dont la gâchette est verrouillée en position de marche. Ne jamais bloquer l'interrupteur en position de MARCHÉ.

- **Ne pas exposer le bloc-piles ou l'outil/l'appareil au feu ou à une température excessive.** L'exposition au feu ou à une température au-dessus de 130 °C (265 °F) pourrait entraîner une explosion.
- **Ne pas incinérer le bloc-piles même s'il est sévèrement endommagé ou complètement usagé, car il pourrait exploser et causer un incendie.** Pendant l'incinération des blocs-piles au lithium-ion, des vapeurs et matières toxiques sont dégagées.
- **En cas de contact du liquide de la pile avec la peau, rincer immédiatement au savon doux et à l'eau.** En cas de contact oculaire, rincer l'œil ouvert à l'eau claire une quinzaine de minutes ou jusqu'à ce que l'irritation cesse. Si des soins médicaux s'avéraient nécessaires, noter que l'électrolyte de la pile est composé d'un mélange de carbonates organiques liquides et de sels de lithium.
- **Le contenu des cellules d'une pile ouverte peut causer une irritation respiratoire.** En cas d'inhalation, exposer l'individu à l'air libre. Si les symptômes persistent, consulter un médecin.

AVERTISSEMENT : risques de brûlure. Le liquide de la pile peut s'enflammer s'il est exposé à des étincelles ou à une flamme.

AVERTISSEMENT : risques d'incendie. Ne jamais tenter d'ouvrir le bloc-piles pour quelque raison que ce soit. Si le boîtier du bloc-piles est fissuré ou endommagé, ne pas l'insérer dans un chargeur. Ne pas écraser, laisser tomber, ou endommager les blocs-piles. Ne pas utiliser un bloc-piles ou un chargeur qui a reçu un choc violent, ou si l'appareil est tombé, a été écrasé ou endommagé de quelque façon que ce soit (p. ex. percé par un clou, frappé d'un coup de marteau, piétiné). Les blocs-piles endommagés doivent être renvoyés à un centre de réparation pour y être recyclés.

Recommandations de stockage

1. Le lieu idéal de rangement est un lieu frais et sec, à l'abri de toute lumière solaire directe et de toute température excessive.
2. Pour un stockage prolongé, il est recommandé d'entreposer le bloc-piles pleinement chargé dans un lieu frais et sec, hors du chargeur pour optimiser les résultats.

REMARQUE : les blocs-piles ne devraient pas être entreposés complètement déchargés. Il sera nécessaire de recharger le bloc-piles avant réutilisation.

Instructions d'entretien du blocs-pile

Éliminer toute saleté ou graisse de la surface externe du bloc-pile à l'aide d'un chiffon ou d'une brosse non métallique douce. N'utiliser ni eau ni aucun nettoyant liquide.

Témoin de Charge du Bloc-Piles

Certains blocs-piles DEWALT possèdent un témoin de charge qui consiste en trois voyants Del indiquant le niveau de charge du bloc-piles.

Le témoin de charge indique approximativement le niveau de charge restant dans le bloc-piles en fonction des voyants suivants :



Chargé de 75 à 100 %



Chargé de 51 à 74 %



Chargé de < 50 %



Le bloc-piles doit être rechargé

Pour activer le témoin de charge, maintenez appuyé le bouton du témoin de charge. Une combinaison des trois voyants Del s'allumera indiquant le niveau de charge. Lorsque le niveau de charge du bloc-pile atteint la limite minimale d'utilisation, le témoin de charge reste éteint et le bloc-piles doit être rechargé.

REMARQUE : le témoin de charge ne fait qu'indiquer le niveau de charge du bloc-piles. Il ne donne aucune indication quant au fonctionnement de l'outil. Son propre fonctionnement pourra aussi varier en fonction des composants produit, de la température et de l'application d'utilisation.

Pour plus d'informations quant au témoin de charge du bloc-piles, veuillez appeler le 1-800-4-DEWALT (1-800-433-9258) ou vous rendre sur notre site www.dewalt.com.

Transport



AVERTISSEMENT : risques d'incendie. Au moment de ranger ou transporter le bloc-piles, veiller à protéger ses bornes à découvert de tout objet métallique. Par exemple, éviter de placer le bloc-piles dans un tablier, une

poche, une boîte à outils ou un tiroir, etc. contenant des objets tels que clous, vis, clés, etc. **Le fait de transporter des blocs-piles comporte des risques d'incendie, car les bornes des piles pourraient entrer, par inadvertance, en contact avec des objets conducteurs, tels que : clés, pièces de monnaie, outils ou autres.** La réglementation sur les produits dangereux (Hazardous Material Regulations) du département américain des transports interdit, en fait, le transport des blocs-piles dans les commerces ou dans les avions dans les bagages de cabine. À MOINS qu'ils ne soient correctement protégés de tout court-circuit. Aussi lors du transport individuel de blocs-piles, s'assurer que leurs bornes sont bien protégées et isolées de tout matériau pouvant entrer en contact avec elles et provoquer un court-circuit.

REMARQUE : il ne faut pas laisser de piles au li-ion dans les bagages enregistrés.

Le sceau SRPRC^{MD}

Le sceau SRPRC^{MD} (Société de recyclage des piles rechargeables du Canada) apposé sur une pile au nickel-cadmium, à hydrure métallique de nickel ou au lithium-ion (ou un bloc-piles) indique que les coûts de recyclage de ces derniers en fin d'utilisation ont déjà été réglés par DEWALT. Dans certaines régions, la mise au rebut ou aux ordures municipales des piles au nickel-cadmium, à l'hydrure métallique de nickel ou au lithium-ion, est illégale ; le programme de l'Appel à Recycler^{MD} constitue donc une solution pratique et écologique.

Appel à Recycler Canada, Inc., en collaboration avec DEWALT et d'autres utilisateurs de piles, a mis sur pied de programme aux États-Unis et au Canada pour faciliter la collecte des piles au nickel-cadmium, à l'hydrure métallique de nickel ou au lithium-ion usagées. Aidez-nous à protéger l'environnement et à conserver nos ressources naturelles en renvoyant les piles au nickel-cadmium, à l'hydrure métallique de nickel ou au lithium-ion usagées à un centre de réparation autorisé DEWALT ou chez votre détaillant afin qu'elles y soient recyclées. On peut en outre se renseigner auprès d'un centre de recyclage local pour connaître d'autres sites les acceptant. SRPRC^{MD} est une marque déposée de l'Appel à Recycler Canada, Inc.



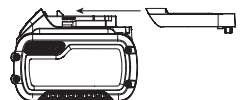
Expédition du bloc-piles DEWALT FLEXVOLT^{MC}

Le bloc-piles DEWALT FLEXVOLT^{MC} possède deux modes :

Utilisation et Expédition.

Mode Utilisation : lorsque le bloc-piles DEWALT FLEXVOLT^{MC} est par lui-même ou dans un produit 20 V max*, il fonctionnera comme un bloc-piles de 20 V max*. Lorsque le bloc-piles FLEXVOLT^{MC} est dans un produit de 60 V max* ou 120 V max* (deux blocs-piles de 60 V max*), il fonctionnera comme un bloc-piles de 60 V max*.

Mode Expédition : lorsque le capuchon est inséré sur le bloc-piles FLEXVOLT^{MC},



le bloc-piles est en mode Expédition. Les modules de cellules sont électriquement déconnectés du bloc le faisant correspondre à trois blocs-piles d'un wattheure (Wh) inférieur comparé à un bloc-piles de wattheure élevé. Ce passage à trois blocs-piles à un wattheure inférieur peut permettre au bloc-piles d'être exempté de suivre certaines directives d'expédition imposées sur les blocs-piles de wattheure supérieur.

L'étiquette du bloc-piles donne deux estimations de wattheures (se reporter à l'exemple). Selon comment le bloc-piles est expédié, l'estimation appropriée de wattheure doit être utilisée pour déterminer les modalités d'expédition lui correspondant. Si le capuchon d'expédition est utilisé, le bloc-piles sera considéré comme 3 blocs-piles au wattheure indiqué pour « Expédition ». S'il est expédié sans le capuchon ou dans un outil, le bloc-piles sera considéré comme un seul bloc-piles au wattheure indiqué à côté de « Utilisation ».

Exemple d'étiquetage d'utilisation et d'expédition

USE: 120 Wh Shipping: 3 x 40 Wh

Par exemple, le Wh de expédition pourra indiquer 3 x 40 Wh, ce qui correspond à 3 blocs-piles de 40 wattheures chacun. L'utilisation du Wh pourra indiquer 120 Wh (sous-entendu 1 bloc-piles).

Directives de sécurité importantes propres à tous les chargeurs de piles

AVERTISSEMENT : lisez toutes les consignes de sécurité, les instructions et les symboles d'avertissements du bloc-piles, du chargeur et du produit. Tout manquement aux avertissements et instructions pose des risques de décharges électriques, d'incendie et/ou de blessures graves.

- **NE PAS tenter de recharger le bloc-piles avec tout autre chargeur qu'une unité DEWALT.** Le chargeur DEWALT et son bloc-piles sont conçus spécialement pour fonctionner conjointement.
- **Ces chargeurs n'ont pas été conçus pour une utilisation autre que recharger les blocs-piles rechargeables DEWALT.** Toute autre utilisation comporte des risques d'incendie, de chocs électriques ou d'électrocution.
- **Protéger le chargeur de la pluie ou de la neige.**
- **Tirer sur la fiche plutôt que sur le cordon pour débrancher le chargeur.** Cela permet de réduire les risques d'endommager la fiche ou le cordon d'alimentation.
- **S'assurer que le cordon est protégé de manière à ce que personne ne marche ni ne trébuche dessus, ou à ce qu'il ne soit ni endommagé ni soumis à aucune tension.**
- **N'utiliser une rallonge qu'en cas de nécessité absolue.** L'utilisation d'une rallonge inadéquate

comporte des risques d'incendie, de chocs électriques ou d'électrocution.

- **Pour utiliser un chargeur à l'extérieur, le placer dans un endroit sec et utiliser une rallonge conçue pour l'extérieur.** L'utilisation d'une rallonge conçue pour l'extérieur réduit les risques de chocs électriques.
- **Pour la sécurité de l'utilisateur, utiliser une rallonge de calibre adéquat (AWG, American Wire Gauge [calibrage américain normalisé des fils électriques]).** Plus le calibre est petit, et plus sa capacité est grande. Un calibre 16, par exemple, a une capacité supérieure à un calibre 18. L'usage d'une rallonge de calibre insuffisant causera une chute de tension qui entraînera perte de puissance et surchauffe. Si plus d'une rallonge est utilisée pour obtenir une certaine longueur, s'assurer que chaque rallonge présente au moins le calibre de fil minimum. Le tableau ci-dessous illustre les calibres à utiliser selon la longueur de rallonge et l'intensité nominale indiquée sur la plaque signalétique. En cas de doute, utiliser le calibre suivant. Plus le calibre est petit, plus la rallonge peut supporter de courant.

Calibre minimum pour les cordons d'alimentation

Volts	Longueur totale du cordon d'alimentation en mètre (pieds)				
	120V	7,6 (25)	15,2 (50)	30,5 (100)	45,7 (150)
240V	15,2 (50)	30,5 (100)	61,0 (200)	91,4 (300)	
Ampères		AWG			
Plus que	Pas plus que				
0	6	18	16	16	14
6	10	18	16	14	12
10	12	16	16	14	12
12	16	14	12	Non recommandé	

AVERTISSEMENT : si la fiche ou le cordon d'alimentation est endommagé, il doit être remplacé par le fabricant ou son représentant ou par une personne non moins qualifiée pour éviter tout danger.

- **Ne poser aucun objet sur le chargeur. Ne pas mettre le chargeur sur une surface molle qui pourrait en bloquer la ventilation et provoquer une surchauffe interne.** Éloigner le chargeur de toute source de chaleur. Le chargeur dispose d'orifices d'aération sur le dessus et le dessous du boîtier.
- **Ne pas le faire fonctionner avec un cordon d'alimentation ou une fiche endommagée**—les remplacer immédiatement.
- **Ne pas utiliser le chargeur s'il a reçu un coup, fait une chute ou a été endommagé de quelque façon que ce soit.** Le ramener dans un centre de réparation agréé.
- **Ne pas démonter le chargeur. Pour tout service ou réparation, le rapporter dans un centre de réparation agréé.** Le fait de le réassembler de façon incorrecte comporte des risques de chocs électriques, d'électrocution et d'incendie.
- **Débrancher le chargeur du secteur avant tout entretien.** Cela réduira tout risque de chocs

électriques. Le fait de retirer le bloc-piles ne réduira pas ces risques.

- **NE JAMAIS** tenter de connecter 2 chargeurs ensemble.
- **Le chargeur a été conçu pour être alimenté en courant électrique domestique standard de 120 volts. Ne pas tenter de l'utiliser avec toute autre tension.** Cela ne s'applique pas aux chargeurs de postes mobiles.



AVERTISSEMENT : risques de chocs électriques. Ne laisser aucun liquide pénétrer dans le chargeur, des chocs électriques pourraient en résulter.



AVERTISSEMENT : risques de brûlure. Ne submerger le bloc-piles dans aucun liquide et le protéger de toute infiltration de liquide. Ne jamais tenter d'ouvrir le bloc-piles pour quelque raison que ce soit. Si le boîtier plastique du bloc-piles est brisé ou fissuré, le retourner dans un centre de réparation pour y être recyclé.



ATTENTION : risques de brûlure. Pour réduire tout risque de dommages corporels, ne recharger que des blocs-piles rechargeables DEWALT out autre type de piles pourrait exploser et causer des dommages corporels et matériels.



ATTENTION : sous certaines conditions, lorsque le chargeur est connecté au bloc d'alimentation, des matériaux étrangers pourraient court-circuiter le chargeur. Les corps étrangers conducteurs tels que (mais pas limité à) poussières de rectification, débris métalliques, laine d'acier, feuilles d'aluminium, ou toute accumulation de particules métalliques doivent être maintenus à distance des orifices du chargeur. Débrancher systématiquement le chargeur lorsque le bloc-piles n'y est pas inséré. Débrancher systématiquement le chargeur avant tout entretien.

Chargement du bloc-piles

REMARQUE : afin d'assurer la performance et la vie maximales des blocs-piles au lithium-ion, chargez complètement le bloc-pile avant la première utilisation.

1. Branchez le chargeur dans une prise appropriée avant d'insérer le bloc-piles.
2. Branchez le chargeur et le bloc-piles en vous assurant que le bloc-piles est bien mis en place. Le voyant rouge (chargement) clignotera sans cesse indiquant que le processus de chargement est commencé.
3. La fin de la recharge sera indiquée par le voyant qui demeurera allumé de façon continue. Le bloc-piles est complètement chargé et peut être retiré utilisé à ce moment ou laissé dans le chargeur.

REMARQUE : pour retirer le bloc-piles, on doit appuyer sur le bouton de libération du bloc-piles sur certains chargeurs

Indicateurs

	Bloc-piles en Cours de Chargement	— — — — —	
	Bloc-piles Chargé	—————	
	Suspension de Charge Contre le Chaud/Froid*	— — — ———	

*DCB107, DCB112, DCB113, DCB115, DCB118,

DCB132: le voyant rouge ne cessera de clignoter, mais un voyant jaune restera allumé pendant cette opération. Lorsque le bloc-piles aura repris une température appropriée, le voyant jaune s'éteindra et le chargeur reprendra sa procédure de charge.

Le chargeur ne pourront recharger des blocs-piles défectueux. Le chargeur qui refuse de s'allumer peut indiquer un problème avec le chargeur ou le bloc-piles défectueuse.

REMARQUE : si le chargeur ne se met pas en fonction, faites tester le chargeur et le bloc-piles à un centre de service autorisé.

Laisser le Bloc-Piles dans le Chargeur

Le chargeur et son bloc-piles peuvent rester connectés, le voyant du chargeur affichant alors bloc-piles chargé.

Fonction de suspension de charge contre le chaud/froid

Lorsque le chargeur détecte un bloc-piles trop chaud ou trop froid, il démarre automatiquement la fonction de suspension de charge contre le chaud, suspendant le chargement jusqu'à ce que le bloc-piles ait repris une température appropriée. Le chargeur ensuite se remettra automatiquement en mode de chargement. Cette caractéristique assure aux blocs-piles une durée de vie maximale.

Un bloc-piles froid peut recharger moins vite qu'un bloc-piles chaud.

Le chargeur DCB118 est équipé d'un ventilateur interne destiné à refroidir le bloc-piles. Le ventilateur se mettra automatiquement en marche chaque fois que le bloc-piles aura besoin de se refroidir.

N'utilisez jamais le chargeur si le ventilateur ne fonctionne pas correctement ou si ses fentes d'aération sont bloquées. Protégez systématiquement l'intérieur du chargeur de tout objet étranger.

Système de protection électronique

Les appareils au Li-Ion sont équipés d'un système électronique de protection pour protéger les blocs-piles de toute surcharge, surchauffe ou fuite importante.

L'appareil s'arrêtera automatiquement dès que le système électronique de protection sera activé. Si c'était le cas, placez le bloc-piles au lithium-ion sur son chargeur jusqu'à ce qu'il soit complètement rechargé.

Remarques importantes concernant le chargement

1. Pour augmenter la durée de vie du bloc-piles et optimiser son rendement, le recharger à une température ambiante de 18 °C à 24 °C (65 °F à 75 °F). NE PAS charger lorsque le bloc-piles est en dessous de +4,5 °C (+40 °F) ou au-dessus de +40 °C (+104 °F). C'est important pour prévenir tout dommage sérieux au bloc-piles.
2. Le chargeur et son bloc-piles peuvent devenir chauds au toucher pendant la charge. C'est normal et ne représente en aucun cas une défaillance du produit. Pour faciliter le refroidissement du bloc-piles après utilisation, éviter de laisser le chargeur ou le bloc-piles dans un local où la température ambiante est élevée comme dans un hangar métallique ou une remorque non isolée.
3. Si le bloc-piles ne se recharge pas correctement :
 - a. Vérifier le bon fonctionnement de la prise en y branchant une lampe ou tout autre appareil électrique.
 - b. Vérifier que la prise n'est pas contrôlée par un interrupteur qui coupe le courant lorsqu'on éteint les lumières.
 - c. Déplacer le chargeur et le bloc-piles dans un local où la température ambiante se trouve entre environ 18 °C et 24 °C (65 °F et 75 °F).
 - d. Si le problème persiste, amener l'outil, le bloc-piles et son chargeur dans un centre de réparation local.
4. Recharger le bloc-piles lorsqu'il ne produit plus assez de puissance pour effectuer un travail qu'il faisait facilement auparavant. NE PAS CONTINUER à l'utiliser dans ces conditions. Suivre la procédure de charge. Si nécessaire, il est aussi possible de recharger un bloc-piles partiellement déchargé sans effet nuisible sur le bloc-piles.
5. Les corps étrangers conducteurs tels que (mais pas limité à) poussières de rectification, débris métalliques, laine d'acier, feuilles d'aluminium, ou toute accumulation de particules métalliques doivent être maintenus à distance des orifices du chargeur. Débrancher systématiquement le chargeur lorsque le bloc-piles n'y est pas inséré. Débrancher systématiquement le chargeur avant tout entretien.
6. Ne pas congeler ou immerger le chargeur dans l'eau ou tout autre liquide.

Instructions d'entretien du chargeur

AVERTISSEMENT : *risques de chocs électriques. Débrancher le chargeur de la prise de courant alternatif avant tout entretien. Éliminer toute saleté ou graisse de la surface externe du chargeur à l'aide d'un chiffon ou d'une brosse non métallique douce. N'utiliser ni eau ni aucun nettoyant liquide.*

Installation murale

DCB107, DCB112, DCB113, DCB115, DCB118, DCB132

Ces chargeurs ont été conçus pour une installation murale ou pour être posés sur une table ou une surface de travail. Pour une fixation murale, installez le chargeur à proximité d'une prise électrique, et à l'écart de coins ou de toute autre obstruction au passage de l'air. Utilisez l'arrière du chargeur pour marquer l'emplacement des vis de montage sur le mur. Fixez soigneusement le chargeur à l'aide de vis autoforeuses (vendues séparément) d'au moins 25,4 mm (1 po) de long, et de diamètre de tête de 7–9 mm (0,28–0,35 po), que vous visserez dans le bois en laissant une longueur optimale d'environ 5,5 mm (7/32 po) exposée. Alignez les orifices à l'arrière du chargeur sur les vis exposées et insérez à fond ces dernières dans les orifices.

Usage Prévu

Ce taille-bordure est conçu pour le taillage professionnel. Ce produit n'est pas une déligneuse et n'est pas conçu pour être utilisé à des fins de délignage.

NE PAS les utiliser en milieu ambiant humide ou en présence de liquides ou de gaz inflammables.

NE PAS le laisser à la portée des enfants. Une supervision est nécessaire auprès de tout utilisateur non expérimenté.

ASSEMBLAGE ET AJUSTEMENTS

AVERTISSEMENT : *afin de réduire le risque de blessure corporelle, éteignez l'appareil et retirez le bloc-piles avant d'effectuer tout ajustement ou de retirer/installer des pièces ou des accessoires. Un déclenchement accidentel du démarrage peut causer des blessures.*

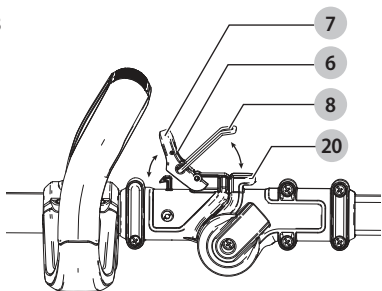
Étendre et plier la tige (Fig. B)

AVERTISSEMENT : *Afin de réduire le risque de blessures, ne pas utiliser l'unité si pliée. L'unité doit être en pleine extension et le fermoir de la tige fixé avant d'insérer la pile. Retirez la pile avant de plier l'unité. Pliez complètement l'unité jusqu'à ce qu'elle se verrouille.*

1. Pour verrouiller la tige en position d'utilisation droite, assurez-vous d'abord que la pile a été retirée. Puis rabattez le levier de verrouillage **6**, tournez le verrou de la tige **7** vers l'avant et placez le fermoir de la tige **8** sur le cran du fermoir **20**. Tournez le verrou de la tige **7** vers l'arrière jusqu'à ce qu'il se verrouille en place de façon sécuritaire. Vérifiez le levier de verrouillage pour vous assurer qu'il est bien verrouillé en place.
2. Pour verrouiller la tige pour l'entreposage ou le transport, assurez-vous d'abord que la pile a été retirée. Puis rabattez le levier de verrouillage **6**, tournez le

verrou de la tige **7** vers l'avant et levez le fermoir de la tige **8** pas-dessus le cran du fermoir **20**. Pliez la tige complètement jusqu'à ce que le protecteur **9** se verrouille bien en place à l'arrière du boîtier de la pile **11**.

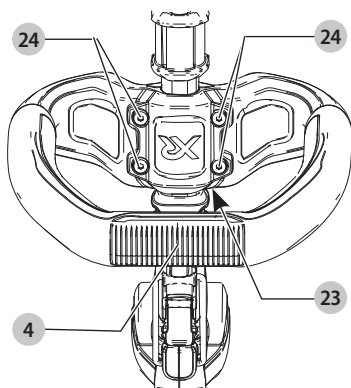
Fig. B



Fixer la poignée auxiliaire (Fig. A, C)

1. Placez la poignée auxiliaire **4** sur le dessus de la base de la poignée **23** afin que la tige du taille-bordure supérieure **15** soit entre elles.
2. Tenez la poignée auxiliaire en place et glissez les boulons de la poignée **24** dans la poignée à partir du dessus en les enfilant dans la base de la poignée.
3. Vissez les boulons de la poignée avec la clé hexagonale fournie. Assurez-vous que la poignée est fixée de façon sécuritaire.

Fig. C



Fixer le protecteur (Fig. D, E)

AVERTISSEMENT : *Ne jamais retirer le protecteur. Cela pourrait entraîner des dommages matériels ou des blessures corporelles.*

AVERTISSEMENT : **NE JAMAIS FAIRE FONCTIONNER l'outil SANS QUE LE PROTECTEUR SOIT FERMEMENT FIXÉ EN PLACE.** *Le protecteur doit toujours être bien fixé à l'outil pour protéger les utilisateurs.*

1. Assemblez le protecteur **9** dans le boîtier du moteur **5**.
2. À l'aide d'un tournevis cruciforme, insérez les 2 vis du protecteur **21** et vissez solidement.

REMARQUE : Un protecteur à couverture étendue (vendu séparément) est disponible à un coût additionnel si désiré. Utilisez la pièce de protecteur de remplacement numéro N776035.

Fig. D

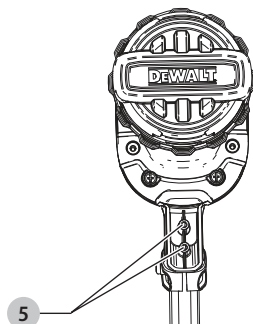
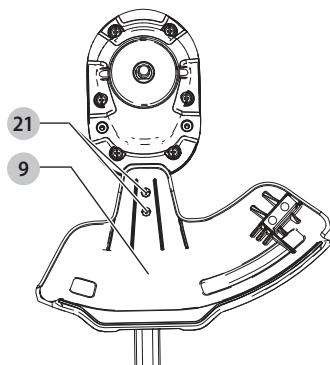


Fig. E



FONCTIONNEMENT

AVERTISSEMENT : *afin de réduire le risque de blessure corporelle, éteignez l'appareil et retirez le bloc-piles avant d'effectuer tout ajustement ou de retirer/installer des pièces ou des accessoires. Un déclenchement accidentel du démarrage peut causer des blessures.*

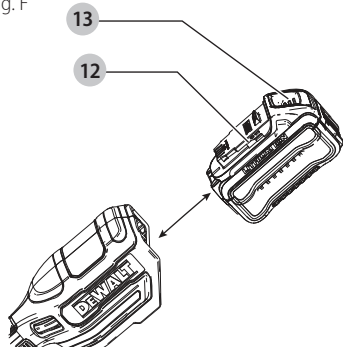
Installation et retrait du bloc-piles (Fig. F)

REMARQUE : pour des résultats optimaux, s'assurer que le bloc-piles est complètement chargé.

Pour installer le bloc-piles **12** dans la poignée de l'outil, alignez le bloc-piles sur les rails dans la poignée de l'outil et faites-le glisser fermement en place puis vérifiez qu'il ne s'en détachera pas.

Pour retirer le bloc-piles de l'outil, poussez sur le bouton de libération **13** et tirez fermement le bloc-piles hors de la poignée de l'outil. Insérez-le dans son chargeur comme décrit dans la section appropriée de ce manuel.

Fig. F



AVERTISSEMENT : afin de réduire le risque de blessure corporelle grave, utilisez toujours la position des mains appropriée comme illustrée.

AVERTISSEMENT : afin de réduire le risque de blessure grave, tenez toujours solidement en prévision d'une rétroaction soudaine.

AVERTISSEMENT : utilisez toujours une protection des yeux appropriée conforme à la norme ANSI Z87.1 (CAN/CSA Z94.3) lorsque vous utilisez cet outil.

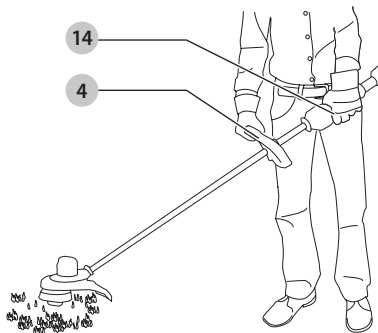
AVERTISSEMENT : Retirez le bloc-piles avant de faire tout assemblage, ajustement ou changement d'accessoires. Ces mesures de sécurité préventives réduisent le risque de démarrage accidentel du taille-bordure.

ATTENTION : avant de commencer la coupe, utilisez seulement le type de fil de coupe approprié.

ATTENTION : inspectez la zone à être coupée et retirez tout câble, corde ou objet ressemblant à une corde qui pourrait s'em mêler dans le fil de rotation ou la bobine. Soyez particulièrement prudent afin d'éviter tout câble qui pourrait être plié vers l'extérieur dans la trajectoire de l'appareil, comme les piques à la base d'une clôture à mailles losangées.

Une position des mains appropriée nécessite une main sur la poignée principale 14 et une main sur la poignée auxiliaire 4.

Fig. G



Mettre en marche et éteindre le taille-bordure (Fig. A)

Pour mettre l'appareil en marche, appuyez sur le bouton de verrouillage 2, puis appuyez sur la gâchette à vitesse variable 1.

Pour éteindre l'appareil, relâchez la gâchette à vitesse variable et le bouton de verrouillage.

AVERTISSEMENT : Ne jamais tenter de verrouiller la gâchette lorsque l'outil est en marche.

Bouton de réglage de la vitesse (Fig. A)

Ce taille-bordure vous donne le choix de l'utiliser à une vitesse plus efficace afin de performance la durée d'exécution pour de plus gros travaux ou d'accélérer la vitesse du taille-bordure pour une coupe à performance élevée.

Pour prolonger la durée d'exécution, appuyez sur le bouton de réglage de la vitesse 3 vers l'avant en direction de la poignée auxiliaire 4 en position « LO ». Ce mode est le meilleur pour les projets plus gros qui nécessite plus de temps pour se terminer.

Pour accélérer le taille-bordure, tirez sur le bouton de réglage de la vitesse vers le boîtier du bloc-piles 11 en position « HI ». Ce mode est meilleur pour couper dans une croissance plus dense et pour des applications ayant besoin de tours par minutes plus élevés.

REMARQUE : En mode « HI », la durée d'exécution diminuera comparée à lorsque le taille-bordure est en mode « LO ».

Coupe (Fig. H, I)

Avec le taille-bordure en marche, placez-le en angle et balancez-le d'un côté à l'autre comme illustré dans la Fig. H. Maintenez une distance minimale de 610 mm (24 po) entre le protecteur et vos pieds comme illustré dans la Fig. I.

Fig. H

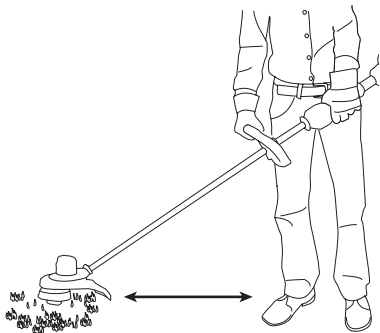
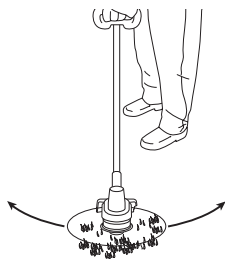


Fig. I



AVERTISSEMENT : *gardez le fil en rotation à peu près parallèle au sol (incliné pas plus de 30 degrés). Ce taille-bordure n'est pas une débouchoise. NE PAS INCLINER le taille-bordure afin que le fil tourne en angle presque droit avec le sol. Les débris projetés peuvent causer de graves blessures.*

Alimentation du fil du taille-bordure par coup

Votre taille-bordure utilise un fil de nylon ayant un diamètre de 0,080 po (2,0 mm). Si le travail est fait en bordure de trottoirs ou autres surfaces abrasives, ou si de mauvaises herbes plus denses sont coupées, le fil de coupe s'usera plus rapidement et une alimentation plus fréquente de nouveau fil sera requise.

Au fur et à mesure que vous utilisez le taille-bordure, le fil devient court en raison de l'usure. Frappez doucement le taille-bordure sur le sol pendant qu'il fonctionne à vitesse normale et le fil s'allongera.

REMARQUE : Étendre le fil de nylon au-delà d'une largeur de 14 po (355 mm) nuira à la performance, à la durée d'exécution et à la vie du taille-bordure en raison de possibles dommages au moteur. Le faire peut annuler la garantie.

Conseils pratiques de coupe

- Utilisez l'extrémité du fil pour effectuer la coupe; ne pas forcer la tête du fil dans l'herbe non coupée.
- Les fils de fer et les clôtures entraînent l'usure supplémentaire du fil, même un bris. Les murs de pierres et de briques, les bordures de trottoirs et le bois peuvent user rapidement le fil.

- Ne pas laisser le capuchon de la bobine traîner sur le sol ou d'autres surfaces.
- En longue croissance, coupez de bas en haut et n'excédez pas 304,8 mm (12 po) de hauteur.
- Gardez le taille-bordure incliné vers la zone étant coupée; cela la meilleure zone de coupe.
- Le taille-bordure coupe lorsqu'il passe de gauche à droite. Cela évite de projeter des débris vers l'utilisateur.
- Évitez les arbres et les arbustes. L'écorce des arbres, les moulures de bois, le revêtement et les poteaux de clôture peuvent facilement être endommagés par le fil.

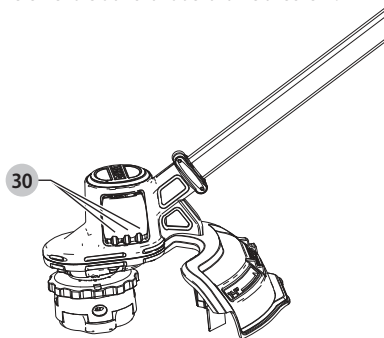
MAINTENANCE

AVERTISSEMENT : *afin de réduire le risque de blessure corporelle, éteignez l'appareil et retirez le bloc-piles avant d'effectuer tout ajustement ou de retirer/installer des pièces ou des accessoires. Un déclenchement accidentel du démarrage peut causer des blessures.*

Traitements d'entretien (Fig. J)

- Gardez les orifices d'aération **30** propres afin d'éviter la surchauffe (Fig. J).
- Le fil de votre taille-bordure peut s'assécher avec le temps. Pour garder le fil en bonne condition, entreposez le fil de rechange dans un sac de plastique scellé avec une cuillère à table d'eau.
- Les pièces en plastique peuvent être nettoyées en utilisant un savon doux et un chiffon humide.
- Le coupeur de fil sur le bord du protecteur peut s'érousser avec le temps. Il est recommandé de vérifier régulièrement le tranchant de la lame avec le fil.

Fig. J



Accessoires de remplacement

AVERTISSEMENT : *afin de réduire le risque de blessure corporelle grave, éteignez l'appareil et retirez le bloc-piles avant d'effectuer tout ajustement ou de retirer/installer des pièces ou des accessoires.*

⚠ AVERTISSEMENT : *l'utilisation de tout accessoire non recommandé par DEWALT avec cet appareil pourrait être dangereuse.*

⚠ AVERTISSEMENT : *ne pas utiliser toute lame, tout accessoire ou toute fixation autre que ceux recommandés DEWALT sur ce taille-bordure. Cela peut causer une blessure grave ou des dommages matériels.*

Utilisez du fil de remplacement DEWALT dont le numéro de modèle est DWO1DT801 ou DWO1DT802.

Lorsque vous remplacez le fil, utilisez seulement un fil ayant un diamètre de 0,080 po (2,0 mm) (les numéros de modèles DWO1DT801 ou DWO1DT802 sont recommandés). D'autres formats pourraient réduire la performance ou endommager le taille-bordure.

Recharger le fil de coupe (Fig. K - M)

⚠ AVERTISSEMENT : *afin de réduire le risque de blessure corporelle grave, éteignez l'outil et retirez le bloc-piles avant d'effectuer tout ajustement ou de retirer/installer des pièces ou des accessoires, lorsque vous remplacez ou avant de nettoyer. Un démarrage accidentel peut causer des blessures.*

⚠ ATTENTION : *utilisez seulement des bobines et du fil de remplacement DEWALT. Utiliser un fil de tout autre fabricant peut réduire la performance, endommager le taille-bordure ou causer une blessure corporelle.*

Votre taille-bordure utilise un fil ayant un diamètre de 2,0 mm (0,080 po) de forme spirale avec des extrémités arrondies. Ne pas utiliser d'autres formats de fil. Cela peut réduire la performance, causer des dommages à l'unité ou une blessure.

⚠ ATTENTION : *afin d'éviter d'endommager l'outil, si le fil de coupe dépasse la lame de coupe, coupez-le afin qu'il atteigne tout juste la lame.*

Utilisez seulement du fil de remplacement DEWALT.

1. Retirez le bloc-piles.
2. Coupez une longueur maximale de 20 pi (6 m) du fil du taille-bordure de 2,0 mm (0,080 po).
3. Alignez les œillets du boîtier de la bobine **26** avec la flèche **27** sur le capot de la poignée de la bobine **29** comme illustré dans la Fig. K.
4. Enfilez une extrémité du fil de coupe à travers un œillet. Faites passer le fil à travers le deuxième œillet et continuez à tirer sur le fil jusqu'à ce que les longueurs de fil soient égales de chaque côté du boîtier de la bobine comme illustré dans la Fig. L.

5. Empêchez le capot de la bobine de se déplacer avec une main. À l'aide de votre autre main, enroulez le fil sur la bobine en tournant le capot de la poignée de la bobine dans le sens contraire des aiguilles d'une montre. Continuez à enrouler jusqu'à ce qu'il reste 5 po (130 mm) de fil de chaque côté du boîtier de la bobine.

Fig. K

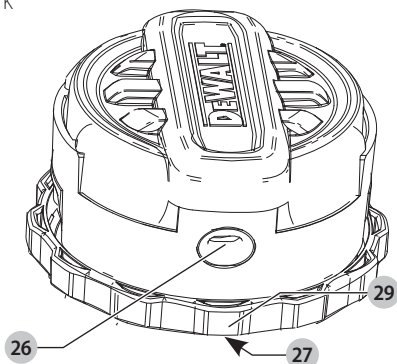


Fig. L

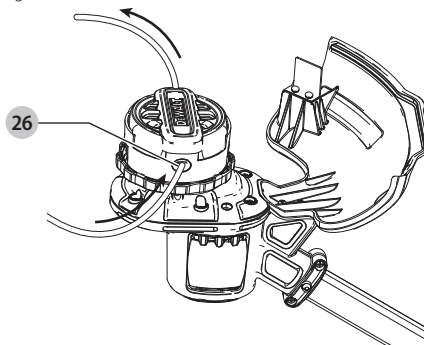
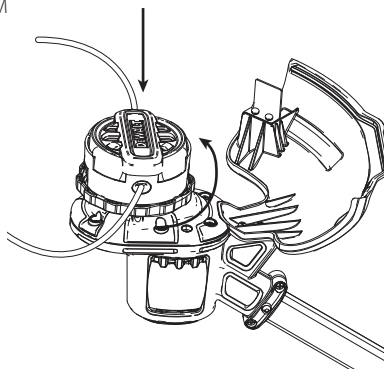


Fig. M



Nettoyage



AVERTISSEMENT : enlever les saletés et la poussière hors des événements au moyen d'air comprimé propre et sec, au moins une fois par semaine. Pour minimiser le risque de blessure aux yeux, toujours porter une protection oculaire conforme à la norme ANSI Z87.1 lors du nettoyage.



AVERTISSEMENT : ne jamais utiliser de solvants ni d'autres produits chimiques puissants pour nettoyer les pièces non métalliques de l'outil. Ces produits chimiques peuvent affaiblir les matériaux de plastique utilisés dans ces pièces. Utiliser un chiffon humecté uniquement d'eau et de savon doux. Ne jamais laisser de liquide pénétrer dans l'outil et n'immerger aucune partie de l'outil dans un liquide.

Accessoires



AVERTISSEMENT : puisque les accessoires autres que ceux offerts par DEWALT n'ont pas été testés avec ce produit, leur utilisation pourrait s'avérer dangereuse. Pour réduire le risque de blessures, utiliser exclusivement les accessoires DEWALT recommandés avec le présent produit.

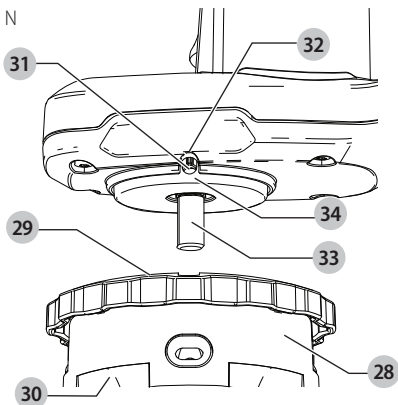
Les accessoires recommandés pour cet outil sont vendus séparément au centre de service de votre région. Pour obtenir de l'aide concernant l'achat d'un accessoire, communiquer avec DEWALT, composer le 1 800 433-9258 (1 800 4-DEWALT) ou visiter notre site Web : www.dewalt.com.

Accessoires de remplacement

Remplacer l'assemblage de la bobine (Fig. A, N)

1. Tournez le boîtier de la bobine **10** jusqu'à ce que le trou **31** dans la plaque de l'axe s'aligne avec l'encoche **32** dans le boîtier du moteur. Insérez un tournevis à travers l'encoche et dans le trou afin d'empêcher l'axe de tourner.
2. Dévissez et retirez le boîtier de la bobine en tournant le capot de la poignée de la bobine **29** dans le sens des aiguilles d'une montre.
REMARQUE : Ne pas essayer de retirer la bobine en tournant le boîtier de la bobine **28**.
3. Retirez la plaque de l'axe **34** avant d'installer la nouvelle bobine. Enlevez toute saleté et herbe du boîtier du moteur et de la plaque de l'axe.
4. Installez la plaque de l'axe **34** sur l'axe **33** afin que l'écrou de retenue en forme de double D sur l'axe demeure à l'intérieur de la base de la plaque de l'axe.
5. Alignez le trou de la plaque de l'axe et l'encoche, réinsérez le tournevis dans le trou et enflez le boîtier de la bobine dans le sens contraire des aiguilles d'une montre. Vissez solidement le nouveau boîtier de la bobine dans l'axe **33**.

Fig. N



Remplacer le protecteur (Fig. O)

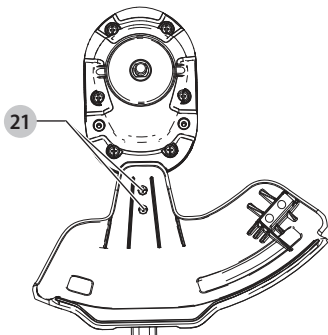
UN PROTECTEUR À COUVERTURE ÉTENDUE (VENDU SÉPARÉMENT) EST DISPONIBLE À UN COÛT ADDITIONNEL SI DÉSIRÉ. UTILISEZ LA PIÈCE DE PROTECTEUR DE REMPLACEMENT DEWALT NUMÉRO N496261.



AVERTISSEMENT : ne jamais faire fonctionner l'outil sans que le protecteur soit fermement fixé en place.

1. Retirez les 2 vis du protecteur **21**.
2. Fixez le nouveau protecteur comme décrit dans la section **Fixer le protecteur**.

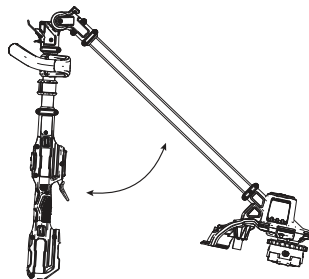
Fig. O



Plier pour l'entreposage ou le transport (Fig. P)

Le taille-bordure peut être plié pour l'entreposage ou le transport. Pour mettre le taille-bordure en position pliée, veuillez consulter **Étendre et plier la tige**.

Fig. P



Réparations

Le chargeur et le bloc-piles ne sont pas réparables.
Le chargeur ou le bloc-piles ne comportent aucune pièce réparabile.



AVERTISSEMENT : *pour assurer la SÉCURITÉ et la FIABILITÉ du produit, les réparations, l'entretien et les réglages doivent être réalisés (cela comprend l'inspection et le remplacement du balai, le cas échéant) par un centre de réparation en usine DEWALT ou un centre de réparation agréé DEWALT. Toujours utiliser des pièces de rechange identiques.*

Registre en ligne

Merci pour votre achat. Enregistrez dès maintenant votre produit:

- **RÉPARATIONS SOUS GARANTIE:** cette carte remplie vous permettra de vous prévaloir du service de réparations sous garantie de façon plus efficace dans le cas d'un problème avec le produit.
- **CONFIRMATION DE PROPRIÉTÉ:** en cas de perte provoquée par un incendie, une inondation ou un vol, cette preuve de propriété vous servira de preuve auprès de votre compagnie d'assurances.
- **SÉCURITÉ:** l'enregistrement de votre produit nous permettra de communiquer avec vous dans l'éventualité peu probable de l'envoi d'un avis de sécurité régi par la loi fédérale américaine de la protection des consommateurs.
- Registre en ligne à **www.dewalt.com**

Garantie limitée de trois ans

DEWALT réparera ou remplacera sans frais tout appareil défectueux pour cause de défaut de matériau ou de main-d'œuvre sur une période de trois ans à partir de la date d'achat de l'outil (deux ans pour les bloc-piles). Cette garantie ne couvre pas les pièces en panne pour cause d'abus ou d'usure normale de l'outil. Pour plus de détails au sujet de la couverture de la garantie et l'information de réparation sous garantie, visitez **www.dewalt.com** ou composez le 1-800-4-DEWALT (1-800-433-9258). Cette garantie ne s'applique pas aux accessoires ou dommages causés par des réparations effectuées ou tentées par d'autres. CETTE GARANTIE REMPLACE TOUTES LES AUTRES, INCLUANT LES GARANTIES IMPLICITES DE LA QUALITÉ MARCHANDE ET L'APTITUDE POUR UN BUT PARTICULIER, ET EXCLUT TOUS LES DOMMAGES ACCIDENTELS OU CONSÉCUTIFS. Certaines provinces ne permettent pas de limitation sur la durée de la garantie implicite ou l'exclusion ou la limitation de dommages indirects, alors ces limitations peuvent ne pas s'appliquer à vous. Cette garantie vous donne des droits légaux particuliers et vous pouvez avoir d'autres droits qui varient selon les états ou les provinces. En plus de la présente garantie, les outils DEWALT sont couverts par notre

CONTRAT D'ENTRETIEN GRATUIT D'UN AN

DEWALT entretiendra l'outil et remplacera les pièces usées au cours d'une utilisation normale et ce, gratuitement, pendant une période d'un an à compter de la date d'achat.

CONTRAT D'ENTRETIEN GRATUIT DE DEUX ANS SUR LES BLOC-PILES DEWALT

DC9071, DC9091, DC9096, DC9182, DC9280, DC9360, DCB120, DCB122, DCB124, DCB127, DCB201, DCB203BT, DCB207, DCB361

CONTRAT D'ENTRETIEN GRATUIT DE TROIS ANS SUR LES BLOC-PILES DEWALT

DCB200, DCB203, DCB204, DCB204BT, DCB205, DCB205BT, DCB206, DCB230, DCB606, DCB609, DCB612

REMARQUE : la garantie de ce produit sera annulée si le bloc-piles a été altéré de quelque façon que ce soit. DEWALT ne peut être tenu responsable de tout dommage corporel causé par l'altération du produit et pourra poursuivre toute fraude en matière de garantie dans toute l'étendue permise par la loi.

GARANTIE DE REMBOURSEMENT DE 90 JOURS

Si l'acheteur n'est pas entièrement satisfait, pour quelque raison que ce soit, du rendement de l'outil électrique ou de la cloueuse DEWALT, celui-ci peut le retourner, accompagné d'un reçu, dans les 90 jours à compter de la date d'achat pour obtenir un remboursement intégral, sans aucun problème.

AMÉRIQUE LATINE : cette garantie ne s'applique aux produits vendus en Amérique latine. Pour ceux-ci, veuillez consulter les informations relatives à la garantie spécifique présente dans l'emballage, appeler l'entreprise locale ou consulter le site Web pour les informations relatives à cette garantie.

REPLACEMENT GRATUIT DES ÉTIQUETTES

D'AVERTISSEMENT : si les étiquettes d'avertissement deviennent illisibles ou sont manquantes, composer le 1-800-4-DEWALT (1-800-433-9258) pour en obtenir le remplacement gratuit.

Definiciones: Símbolos y Palabras de Alerta de Seguridad

Este manual de instrucciones utiliza los siguientes símbolos y palabras de alerta de seguridad para alertarle de situaciones peligrosas y del riesgo de lesiones corporales o daños materiales.

⚠ PELIGRO: Indica una situación de peligro inminente que, si no se evita, provocará **la muerte o lesiones graves**.

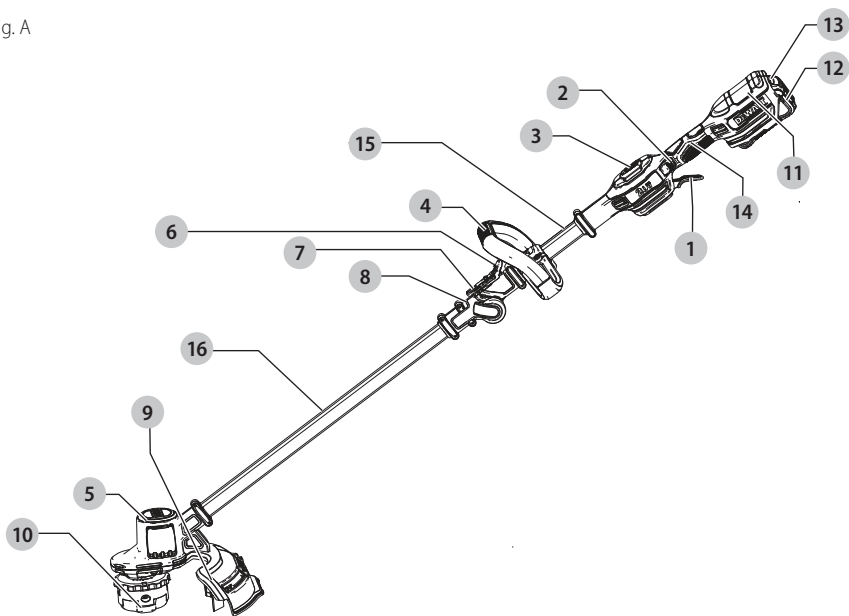
⚠ ADVERTENCIA: Indica una situación de peligro potencial que, si no se evita, **podría provocar la muerte o lesiones graves**.

⚠ ATENCIÓN: Indica una situación de peligro potencial que, si no se evita, **posiblemente provocaría lesiones leves o moderadas**.

⚠ (Utilizado sin palabras) indica un mensaje de seguridad relacionado.

AVISO: Se refiere a una práctica **no relacionada a lesiones corporales** que de no evitarse **puede** resultar en **daños a la propiedad**.

Fig. A



- 1 Gatillo de velocidad variable
- 2 Botón de bloqueo de apagado
- 3 Interruptor de control de velocidad
- 4 Manija auxiliar
- 5 Alojamiento de motor
- 6 Palanca de bloqueo
- 7 Seguro de poste
- 8 Agarradera de poste

- 9 Protección
- 10 Alojamiento de carrete
- 11 Alojamiento de batería
- 12 Paquete de batería
- 13 Botón de liberación de batería
- 14 Manija
- 15 Poste superior
- 16 Poste inferior

⚠ ADVERTENCIA: **Lea todas las advertencias de seguridad e instrucciones.** El incumplimiento de las advertencias e instrucciones puede provocar descargas eléctricas, incendios o lesiones graves.

⚠ ADVERTENCIA: **Para reducir el riesgo de lesiones, lea el manual de instrucciones.**

Si tiene alguna duda o algún comentario sobre ésta u otra herramienta DEWALT llámenos al número gratuito: (1-800-433-9258).

Podadora de cuerda 20V Máx* DCST922

INSTRUCCIONES DE SEGURIDAD IMPORTANTES

⚠ ADVERTENCIA: Para reducir el riesgo de lesiones:

- Antes de cualquier uso, asegúrese que cualquiera que use esta unidad lea y entienda todas las instrucciones de seguridad y otra información contenida en este manual.
- Conserve estas instrucciones y revíselas con frecuencia.

⚠ ADVERTENCIA: Cuando use aparatos de jardinería eléctricos, siempre se deben seguir las precauciones de seguridad básica para reducir el riesgo de incendio, descarga eléctrica, y lesiones personales, incluyendo las siguientes.

1. **Evite ambientes peligrosos** – No use aparatos en ubicaciones mojadas o húmedas.
2. **No use en lluvia.**
3. **Mantenga a los niños alejados** – Todos los visitantes deben mantener una distancia del área de trabajo.
4. **Use vestimenta apropiada** – No use ropa holgada o joyería. Pueden quedar atrapados en las partes móviles. Se recomienda el uso de guantes de hule y calzado apropiado cuando trabaje en exteriores. Use una cubierta de protección para el cabello para cubrir el cabello largo.
5. **Use Gafas de seguridad** – También use una careta o máscara de polvo si la operación produce polvo.
6. **Utilice el aparato correcto** – No utilice el aparato para ningún trabajo excepto para el que está diseñado.
7. **No sujete las cuchillas de corte expuestas ni los bordes de corte cuando levante o sostenga el aparato.**
8. **No fuerce el aparato** – Hará el trabajo mejor y con menos probabilidad de un riesgo de lesión en la velocidad para la que se diseñó.
9. **No se estire en exceso** – Mantenga la pisada y equilibrio adecuados en todo momento.
10. **Permanezca alerta** - Observe lo que está haciendo. Utilice el sentido común. No opere el aparato cuando esté cansado.
11. **Desconecte el aparato** – Retire la batería cuando no esté en uso, antes de realizar el mantenimiento, al cambiar accesorios tales como cuchillas, y similares.
12. **Guarde los aparatos sin uso en el interior** – Cuando no los use, los aparatos deben almacenarse en interiores en lugares secos y altos o encerrados, fuera del alcance de los niños.
13. **Mantenga el aparato con cuidado** – Mantenga el borde de corte afilado y limpio para obtener el mejor desempeño y reducir el riesgo de lesiones. Siga las

instrucciones para lubricar y cambiar los accesorios. Revise la fuente de energía del aparato periódicamente y, si está dañada, pida que lo reparen en instalaciones de servicio autorizadas. Mantenga las manijas secas, limpias y libres de aceite y grasa.

14. **Revise las partes dañadas** – Antes de utilizar el aparato, se debe revisar cuidadosamente una protección u otra pieza que esté dañada para determinar que funcionará correctamente y cumplirá su función. Revise la alineación de las partes móviles, la unión de las partes móviles, la ruptura de partes, el montaje y cualquier otra condición que pueda afectar su operación. Una protección u otra parte que esté dañada se debe reparar o reemplazar apropiadamente por un centro de servicio autorizado, a menos que se indique en otra parte de este manual.

CONSERVE ESTAS INSTRUCCIONES

Advertencias de Seguridad Adicionales

⚠ ADVERTENCIA: Para reducir el riesgo de lesiones por rebote, trabaje alejándose de cualquier objeto sólido cercano, como paredes, escalones, piedras grandes, árboles, etc.

- **PROTECCIÓN** - No use este aparato sin la protección incluida.
- **USE VESTIMENTA CORRECTA** - No use ropa suelta o joyas. Pueden quedar atrapados en las partes móviles. Se recomiendan guantes y calzado de suela de hule cuando trabaje al aire libre. No opere el aparato cuando esté descalzo o use sandalias abiertas. Use pantalones largos pesados para proteger sus piernas. Use una cubierta de protección para el cabello para cubrir el cabello largo.
- **MANTENGA LA CARA, LAS MANOS Y LOS PIES ALEJADOS DE LA LÍNEA DE NYLON GIRATORIA EN TODO MOMENTO.** La línea giratoria realiza una función de corte, tenga cuidado al recortar alrededor de pantallas y plantas deseables.
- **MANTENGA A TODOS LOS TRANSEÚNTES ALEJADOS** - a una distancia segura del área de trabajo, especialmente a niños. ASEGÚRESE que otras personas y mascotas estén a una distancia de por lo menos 100' (30 m).
- **TENGA MUCHO CUIDADO** cuando trabaje cerca de objetos sólidos y cuando sea necesario, realice el corte a mano.
- **EVITE EL ARRANQUE ACCIDENTAL** – No cargue con el dedo en el gatillo cuando la batería esté instalada.
- **DAÑO A LA UNIDAD** - Si golpea o se enreda con un objeto extraño, detenga el aparato inmediatamente, retire la batería, revise si hay daños y repare el daño antes de intentar la operación adicional. No opere con un cubo o un carrete rotos.
- **NO OPERE** aparatos eléctricos portátiles en una atmósfera gaseosa o explosiva. Los motores de estos

aparatos pueden producir chispas, y éstas pueden encender los vapores.

- **PERMANEZCA ALERTA** - No utilice esta unidad cuando esté cansado, enfermo o bajo la influencia de alcohol, drogas o medicamentos.
- **NO** sumerja el aparato en agua ni lo rocíe con una manguera.
- **NO** permita que entre ningún líquido en su interior. Si el aparato se moja, deje secar durante un mínimo de 48 horas.
- **NO** limpie con una lavadora a presión.
- **NO** guarde el aparato en o junto a fertilizantes o productos químicos.
- **NO** cargue el aparato en la lluvia o en lugares húmedos
- **PARA REDUCIR EL RIESGO DE LESIONES**, no opere la unidad mientras esté doblada. La unidad se debe extender completamente y asegurar el broche del poste antes de insertar la batería.
- **RETIRE LA BATERÍA ANTES DE DOBLAR LA UNIDAD.** Doble la unidad completamente hasta que se bloquee en su lugar.

⚠ ATENCIÓN: Utilice únicamente carretes y línea de repuesto DeWALT. El uso de la línea de cualquier otro fabricante puede reducir el desempeño, dañar la podadora o causar lesiones personales. Su podadora usa una línea de 2.0 mm (0.080 pulgadas) de diámetro. No use otros tamaños de línea. Esto puede degradar el rendimiento, causar daños a la unidad o lesiones.

⚠ ADVERTENCIA: No use el aparato si el gatillo de interruptor no lo enciende y apaga. Cualquier aparato que no pueda ser controlado con el gatillo del interruptor es peligroso y debe ser reparado.

Instrucción Adicional de Seguridad

⚠ ADVERTENCIA: Nunca modifique la herramienta eléctrica, ni tampoco ninguna de sus piezas. Podría producir lesiones corporales o daños.

⚠ ADVERTENCIA: Use **SIEMPRE** lentes de seguridad. Los anteojos de diario **NO SON** lentes de seguridad. Utilice además una cubrebocas o mascarilla antipolvo si la operación de corte genera demasiado polvo. **SIEMPRE LLEVE EQUIPO DE SEGURIDAD CERTIFICADO:**

- protección ocular ANSI Z87.1 (CAN/CSA Z94.3),
- protección auditiva ANSI S12.6 (S3.19),
- protección respiratoria NIOSH/OSHA/MSHA.

⚠ ADVERTENCIA: Algún polvo contiene químicos conocidos por el Estado de California que causan cáncer, defectos de nacimiento

u otros daños reproductivos. Algunos ejemplos de estos químicos son:

- compuestos en fertilizantes,
- compuestos en insecticidas, herbicidas y pesticidas,
- arsénico y cromo a partir de madera tratada químicamente.

Para reducir su exposición a estos químicos, use equipo de seguridad aprobado, tal como máscaras de polvo que estén diseñadas específicamente para filtrar partículas microscópicas.

⚠ ADVERTENCIA: La utilización de esta herramienta puede generar polvo o dispersarlo, lo que podría causar daños graves y permanentes al sistema respiratorio, así como otras lesiones. Siempre use protección respiratoria aprobada por NIOSH (Instituto Nacional de Seguridad y Salud en el Trabajo) o OSHA (Administración de Seguridad y Salud en el Trabajo) apropiada para la exposición al polvo. Dirija las partículas en dirección contraria a la cara y el cuerpo.







⚠ ADVERTENCIA: Siempre lleve la debida protección auditiva personal en conformidad con ANSI S12.6 (S3.19) durante el uso de esta herramienta. Bajo algunas condiciones y duraciones de uso, el ruido producido por este producto puede contribuir a la pérdida auditiva.

⚠ ATENCIÓN: Cuando no esté en uso, guarde la herramienta apoyada en un costado sobre una superficie estable, donde no interrumpa el paso o provoque una caída. Algunas herramientas con paquetes de baterías de gran tamaño pueden colocarse paradas sobre el paquete de baterías, pero pueden caerse fácilmente.

- **Los orificios de ventilación suelen cubrir piezas en movimiento, por lo que también se deben evitar.** Las piezas en movimiento pueden atrapar prendas de vestir sueltas, joyas o el cabello largo.

La etiqueta de su herramienta puede incluir los siguientes símbolos. A continuación se indican los símbolos y sus definiciones:

V	voltios	sfpm	pies de superficie por minuto
Hz	hertz	SPM	pasadas por minuto
min	minutos	OPM	oscilaciones por minuto
— — — or DC	direct current	A	amperios
Ⓢ	Construcción de Clase I (tierra)	W	vatios
... /min	por minuto	~ or AC	corriente alterna
BPM	golpes por minuto	⎓ or AC/DC	corriente alterna o directa
IPM	impactos por minuto		
RPM	revoluciones por minuto		

 Construcción de Clase II (doble aislamiento)	 símbolo de advertencia de seguridad
n_0 velocidad sin carga	 radiación visible
IPXX símbolo IP	 protección respiratoria
n velocidad nominal	 protección ocular
 terminal de conexión a tierra	 protección auditiva
		 lea toda la documentación

BATERÍAS Y CARGADORES

La batería no viene completamente cargada de fábrica. Antes de utilizar la batería y el cargador, lea las siguientes instrucciones de seguridad y luego siga los procedimientos de carga indicados. Cuando pida baterías de repuesto, no olvide indicar el número de catálogo y el voltaje.

LEA TODAS LAS INSTRUCCIONES

Instrucciones de Seguridad Importantes Para Todas las Unidades de Batería

⚠️ ADVERTENCIA: *Lea todas las advertencias de seguridad, instrucciones y marcas de precaución para el paquete de la batería, el cargador y el producto. No seguir las advertencias y las instrucciones puede provocar una descarga eléctrica, un incendio y/o lesiones graves.*

- **No cargue o use la unidad de batería en atmósferas explosivas, como en presencia de líquidos, gases o polvos inflamables.** Puede que al insertar o sacar la unidad de batería del cargador se inflamen el polvo o los gases.
- **Cuando el paquete de batería no esté en uso, manténgalo alejado de otros objetos metálicos, como sujetadores de papel, monedas, llaves, clavos, tornillos, u otros objetos pequeños de metal que puedan hacer una conexión de una terminal a otra.** Conectar en corto circuito las terminales de la batería puede causar quemaduras o un incendio.
- **NUNCA fuerce la unidad de batería para que entre en el cargador. NO modifique la unidad de batería en ninguna forma para que entre en un cargador no compatible, pues puede producir una ruptura en la unidad de batería y causar lesiones corporales graves.** Consulte la tabla al final de este manual para ver la compatibilidad entre baterías y cargadores.
- *Cargue las unidades de batería sólo en los cargadores designados por DEWALT.*
- **NO salpique con ni sumerja en agua u otros líquidos.**
- **No guarde ni use la herramienta y unidad de batería en lugares donde la temperatura pueda alcanzar o superar los 40 °C (104 °F), tales como cobertizos**

o construcciones de metal durante el verano).

Almacene las unidades de batería en lugares frescos y secos para maximizar su vida útil.

NOTA: No almacene las unidades de batería en la herramienta con el interruptor de gatillo en posición encendida fija. Nunca use cinta adhesiva para mantener el interruptor de gatillo en posición ENCENDIDA.

- **No exponga un paquete de batería o herramienta/aparato a fuego o temperatura excesiva.** La exposición a fuego o temperatura mayor a 130 °C (265 °F) puede causar una explosión.
- **No incinere la unidad de batería, aunque esté completamente dañada o descargada. La unidad de batería puede explotar si se quema.** Cuando se queman unidades de batería de iones de litio, se producen gases y materiales tóxicos.
- **Si el contenido de la batería entra en contacto con la piel, lave el área de inmediato con agua y un jabón suave.** Si el líquido de la batería entra en contacto con sus ojos, enjuáguelos con agua y los ojos abiertos por 15 minutos o hasta que cese la irritación. Si se requiere de asistencia médica, el electrolito de la batería está compuesto por una mezcla de carbonatos orgánicos líquidos y sales de litio.
- **El contenido de los elementos abiertos de la batería puede causar irritación en el tracto respiratorio.** Salga al aire fresco. Si los síntomas persisten, busque asistencia médica.

⚠️ ADVERTENCIA: Peligro de quemaduras. El líquido de la batería puede ser inflamable si se expone a chispas o llamas.

⚠️ ADVERTENCIA: Peligro de incendio. Nunca intente abrir la unidad de batería por ningún motivo. Si la caja exterior de la unidad de batería se triza o daña, no la introduzca en el cargador. No triture, deje caer o dañe la unidad de batería. No use una unidad de batería o un cargador que haya sido golpeado, dejado caer, atropellado o dañado en cualquier forma (por ejemplo, perforado por un clavo, golpeado con un martillo, pisado). Lleve sus unidades de batería dañadas al centro de servicio para que sean recicladas.

Recomendaciones de Almacenamiento

1. El mejor lugar de almacenamiento es uno que sea fresco y seco, lejos de la luz solar directa y del exceso de calor o frío.
2. Para resultados óptimos durante tiempos prolongados de almacenamiento, se recomienda almacenar la unidad de batería completamente cargada en un lugar fresco y seco fuera del cargador.

NOTA: Las unidades de batería no deberían almacenarse completamente descargadas. La unidad de batería deberá recargarse antes de ser usada.

Instrucciones de Limpieza del Batería

Para limpiar la suciedad y grasa del exterior del cargador puede usarse un paño o cepillo suave no metálico. No use agua ni soluciones limpiadoras.

Unidades de Batería con Indicador de Carga

Algunas unidades de batería DEWALT incluyen un indicador de carga que consiste de tres luces LED que indican el nivel de carga que queda en la unidad de batería.

El indicador de carga es una indicación de niveles aproximados de carga que quedan en la batería según los indicadores siguientes:



75–100% cargada



51–74% cargada



< 50% cargada



La batería tiene que cargarse

Para activar el indicador de carga, presione y sostenga el botón del indicador. Se iluminará una combinación de las tres luces LED, que indicará el nivel de carga que queda. Cuando el nivel de carga está por debajo del nivel útil, el indicador no se iluminará, y la batería deberá recargarse.

NOTA: El indicador de carga es sólo eso: un indicador de la carga de la unidad de batería. No indica el nivel de funcionalidad de la herramienta y puede variar de acuerdo a las piezas del producto, la temperatura y la aplicación que el usuario le dé.

Para mayor información sobre unidades de batería con indicadores de carga, por favor llame al 1-800-4-DEWALT (1-800-433-9258) o visite nuestro sitio Web: www.dewalt.com

Transporte



ADVERTENCIA: Peligro de incendio. No guarde o transporte la batería de forma que los terminales expuestos de la misma puedan estar en contacto con objetos metálicos. Por ejemplo, no ponga la batería en delantales, bolsillos, cajas de herramientas, estuches de productos, cajones, etc., junto con clavos, tornillos, y llaves, etc. sueltos. **El transporte de baterías puede causar incendios si sus terminales inadvertidamente entran en contacto con materiales conductores como llaves, monedas, herramientas manuales y otros por el estilo.** El Reglamento sobre Materiales Peligrosos (HMR) del Departamento de Transporte de EE.UU. prohíbe transportar baterías comercialmente o en aviones en el equipaje de mano A MENOS que estén debidamente protegidas contra cortocircuitos. Por lo tanto, cuando transporte baterías individuales, asegúrese de que sus terminales estén protegidos y debidamente aislados

de los materiales que pudieran entrar en contacto con ellos y provocar un cortocircuito. **NOTA:** Las baterías de iones de Li-ion no deben colocarse dentro del equipaje registrado.

El sello RBRC®

El sello RBRC® (Rechargeable Battery Recycling Corporation) en las baterías (unidades de batería) de níquel cadmio, níquel e hidruro metálico o de iones de litio indica que el costo de reciclaje de estas baterías (o unidades de batería) al llegar al final de su vida de servicio ya ha sido pagado por DEWALT. En algunas áreas, es ilegal depositar baterías de níquel cadmio, níquel e hidruro metálico o de iones de litio gastadas en la basura o la corriente de residuos sólidos urbanos; el programa Call 2 Recycle® proporciona una alternativa ecológica.

Call 2 Recycle, Inc., en cooperación con DEWALT y otros usuarios de baterías, han establecido programas en los Estados Unidos y Canadá para facilitar la recolección de baterías de níquel cadmio, níquel e hidruro metálico o de iones de litio gastadas. Al llevar sus baterías de níquel cadmio, níquel e hidruro metálico y de iones de litio gastadas a un centro de servicio autorizado por DEWALT o al minorista local para que sean recicladas, ayuda a proteger el medio ambiente y a conservar recursos naturales. También puede comunicarse con el centro de reciclaje de su localidad para mayor información sobre dónde llevar sus baterías gastadas.

RBRC® es una marca comercial registrada de Call 2 Recycle, Inc.



Transporte de la Batería FLEXVOLT™ de DEWALT

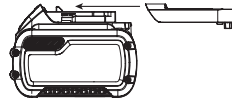
La batería FLEXVOLT™ de DEWALT tiene dos modalidades:

Uso y transporte.

Modalidad de uso: Cuando la batería FLEXVOLT™ está independiente o está en un producto DEWALT de 20 V Máx* funcionará como una batería de 20 V Máx*. Cuando la batería FLEXVOLT™ está en un producto de 60 V Máx* o 120 V Máx* (dos baterías de 60 V Máx*), funcionará como una batería de 60 V Máx*.

Modalidad de transporte:

Cuando la batería FLEXVOLT™ tiene puesta la tapa, la batería está en modalidad de transporte. Cadenas de celdas están desconectadas eléctricamente dentro de la unidad de batería, lo que resulta en tres baterías con una capacidad nominal de vatios hora (Wh) inferior comparada con una batería con una capacidad nominal de vatios hora superior. Esta mayor cantidad de tres baterías con una capacidad nominal de vatios-hora menor puede hacer que la unidad de batería quede exenta de ciertos reglamentos de transporte que se imponen a las baterías con mayor capacidad nominal de vatios-hora.



La etiqueta en la batería indica dos capacidades nominales de vatios-hora (ver el ejemplo). Dependiendo de cómo se transporta la batería, debe usarse la capacidad nominal

vatios-hora apropiada para determinar los requisitos de transporte aplicables. Si se utiliza la tapa de transporte, la unidad de batería será considerada tres baterías con la capacidad nominal de vatios-hora indicada para «Transporte». Si se transporta sin la tapa o en una herramienta, la unidad de batería será considerada una batería con la capacidad nominal de vatios-hora indicada al lado de «Uso».

Ejemplo de Marcado en Etiqueta de Uso y Transporte

USE: 120 Wh Shipping: 3 x 40 Wh

Por ejemplo, la capacidad nominal de Wh de Transporte puede indicar 3 x 40 Wh, lo que significa 3 baterías de 40 vatios-hora cada una. La capacidad nominal de Wh de Uso puede indicar 120 Wh (se implica 1 batería).

Instrucciones Importantes de Seguridad Para Todos los Cargadores de Baterías

⚠️ ADVERTENCIA: *Lea todas las advertencias de seguridad, instrucciones y marcas de precaución para el paquete de la batería, el cargador y el producto. No seguir las advertencias y las instrucciones puede provocar una descarga eléctrica, un incendio y/o lesiones graves.*

- **NO intente cargar el paquete de batería con ningún cargador diferente a un cargador DEWALT.** El cargador y el paquete de batería DEWALT están diseñados específicamente para funcionar juntos.
- **Estos cargadores no fueron diseñados para ser utilizados para más que cargar las baterías recargables DEWALT.** Cualquier otro uso puede producir riesgo de incendios, descargas eléctricas o electrocución.
- **No exponga el cargador a la lluvia o a la nieve.**
- **Tire del enchufe y no del cable cuando desconecte el cargador.** De esta forma se reduce el riesgo de daño al enchufe y cable.
- **Asegúrese de que el cable no sea ubicado de manera que podría ser pisado, causar que alguien tropiece con él o ser expuesto a otro tipo de daños y desgastes.**
- **No use un alargador y menos que sea absolutamente necesario.** El uso de un alargador incorrecto podría producir riesgo de incendios, descargas eléctricas o electrocución.
- **Cuando opere un cargador al exterior, hágalo siempre en un lugar seco y use un alargador apropiado para uso al exterior.** El uso de un alargador apropiado para uso al exterior reduce el riesgo de descarga eléctrica.
- **Los hilos del alargador deben ser de un calibre apropiado (AWG o American Wire Gauge) para su seguridad.** Mientras menor sea el calibre del hilo, mayor la capacidad del cable. Es decir, un hilo calibre 16 tiene mayor capacidad que uno de 18. Un cable de un calibre insuficiente causará una caída en la tensión

de la línea dando por resultado una pérdida de energía y sobrecalentamiento. Cuando se utilice más de un alargador para completar el largo total, asegúrese que los hilos de cada alargador tengan el calibre mínimo. La tabla siguiente muestra el tamaño correcto a utilizar, dependiendo de la longitud del cable y del amperaje nominal de la placa de identificación. Si tiene dudas sobre cuál calibre usar, use un calibre mayor. Cuanto menor sea el número del calibre, más resistente será el cable.

Calibre mínimo de conjuntos de cables

Voltios	Longitud total del cable en pies (metros)				
	120V	25 (7,6)	50 (15,2)	100 (30,5)	150 (45,7)
240V	50 (15,2)	100 (30,5)	200 (61,0)	300 (91,4)	
Amperaje nominal	AWG				
	Más de	No Más de			
0	6	18	16	16	14
6	10	18	16	14	12
10	12	16	16	14	12
12	16	14	12	No recomendado	

⚠️ ADVERTENCIA: *Si el enchufe o el cable de alimentación están dañados lo debe reemplazar el fabricante o su representante o por una persona igualmente calificada para evitar peligro.*

- **No coloque ningún objeto encima del cargador ni coloque a este sobre una superficie blanda que pudiera bloquear las ranuras de ventilación y resultar en un calor interno excesivo.** Coloque el cargador en un lugar alejado de cualquier fuente de calor. El cargador se ventila a través de las ranuras que se encuentran en la parte superior e inferior de la caja protectora.
- **No opere el cargador si su cable o enchufe están dañados—reemplácelos de inmediato.**
- **No opere el cargador si ha recibido un golpe agudo, si se ha caído o si ha sido dañado de alguna otra forma.** Llévelo a un centro de servicio autorizado.
- **No desarme el cargador; llévelo a un centro de servicio autorizado cuando deba ser reparado.** Si es reensamblado incorrectamente, puede causar descargas eléctricas, electrocución o incendios.
- **Desenchufe el cargador antes de intentar limpiarlo.** Esto reducirá el riesgo de descargas eléctricas. El retirar el paquete de baterías no reducirá este riesgo.
- **NUNCA intente conectar 2 cargadores entre sí.**
- **El cargador está diseñado para operar con una corriente eléctrica estándar residencial de 120 V. No intente usarlo con ningún otro voltaje.** Esto no aplica al cargador vehicular.

⚠️ ADVERTENCIA: *Peligro de descarga eléctrica. No permita que ningún líquido se introduzca en el cargador. Puede producir descargas eléctricas.*

⚠️ ADVERTENCIA: *Peligro de quemaduras. No sumerja la unidad de batería en líquido de ningún tipo ni permita que se introduzca ningún tipo de líquido a la unidad de batería. Nunca intente abrir la unidad de batería por ningún motivo. Si la caja plástica de la unidad de batería se triza o rompe, llévela a un centro de servicio para su reciclaje.*

⚠️ ATENCIÓN: *Peligro de quemaduras. Para reducir el riesgo de lesiones, sólo cargue unidades de batería recargables DEWALT marca. DEWALT. Otros tipos de batería podrían sobrecalentarse y reventar lo que podría resultar en lesiones corporales y daños a su propiedad.*

⚠️ ATENCIÓN: *Bajo ciertas condiciones, cuando el cargador está enchufado a una toma de corriente, el cargador puede hacer cortocircuito si entra en contacto con algún material ajeno. Los materiales ajenos de naturaleza conductora, como el polvo de esmerilado, las placas de metal, la lana de acero, el papel de aluminio y otros, o cualquier acumulación de partículas metálicas deberían mantenerse alejados de las cavidades del cargador. Desenchufe siempre el cargador cuando no haya una unidad de batería en su cavidad. Desenchufe el cargador antes de intentar limpiarlo.*

Carga de la Batería

NOTA: Para garantizar el máximo desempeño y la vida útil de los paquetes de baterías de iones de litio, cargue la batería por completo antes del primer uso.

1. Conecte el cargador en un tomacorriente apropiado antes de insertar el paquete de batería.
2. Conecte el cargador y el paquete de baterías, asegurándose que la batería esté completamente asentada. La luz (carga) parpadeará continuamente indicando que el proceso de carga ha comenzado.
3. La terminación de la carga se indicará por la luz que permanece encendida continuamente. El paquete de batería está completamente cargado y se puede retirar y usar en este momento o dejarse en el cargador.

NOTA: Para retirar el paquete de la batería, algunos cargadores requieren que se presione el botón de liberación del paquete de batería.

Indicadores	
	Unidad en Proceso de Carga
	Unidad Cargada
	Retraso por Unidad Caliente/ Fría*

*DCB107, DCB112, DCB113, DCB115, DCB118,

DCB132: La luz roja continuará parpadeando, pero una luz indicadora amarilla estará iluminada durante esta operación. Una vez que la batería haya llegado a una temperatura

apropiada, la luz amarilla se apagará y el cargador continuará con el procedimiento de carga.

Un cargador no cargará una batería defectuosa. El cargador que se niega a encenderse podría indicar un problema con el cargador.

NOTA: Si el cargador no quiere encender, lleve el cargador y el paquete de batería para que los prueben en un centro de servicio autorizado.

Permanencia de la Unidad de Batería en el Cargador

El cargador y la unidad de batería pueden dejarse conectados con la luz del cargador indicando que la unidad está cargada.

Retraso por Batería Caliente/Frías

Cuando el cargador detecta que una batería está demasiado caliente o demasiado fría, inicia automáticamente un Retraso por batería caliente/fría y suspende la carga hasta que la batería alcanza una temperatura adecuada. En ese momento, el cargador inicia automáticamente el modo de carga de la batería. Esta función garantiza la máxima duración de la batería.

Una batería fría puede cargar más lentamente que una batería caliente.

El cargador DCB118 está equipado con un ventilador interno diseñado para enfriar la batería. El ventilador se encenderá automáticamente cuando la batería tenga que enfriarse.

No opere nunca el cargador si el ventilador no funciona adecuadamente o si las ranuras de ventilación están obstruidas. No permita que entren objetos extraños dentro del cargador.

Sistema de protección electrónica

Las herramientas con baterías de iones de litio están diseñadas con un Sistema de protección electrónico que protegerá la batería contra la sobrecarga, el sobrecalentamiento o la descarga completa. La herramienta se apagará automáticamente si el Sistema de protección electrónico se activa. Si esto ocurre, coloque la batería de iones de litio en el cargador hasta que esté totalmente cargada.

Notas Importantes Sobre la Carga

1. Se puede obtener una mayor duración y un mejor rendimiento si la unidad de batería se carga a una temperatura ambiente de 18 °C–24 °C (65 °F–75 °F). NO cargue cuando el paquete de batería esté debajo de +4,5 °C (+40 °F), o arriba de +40 °C (+104 °F). Esto es importante y evitará causar daños graves a la batería.
2. Puede que el cargador y la unidad de batería se calienten ligeramente durante el proceso de carga. Esto es normal y no representa ningún problema. Para facilitar el enfriamiento de la unidad de batería después del uso, evite colocar el cargador o la unidad de batería en un lugar cálido, como un cobertizo metálico o un remolque sin aislamiento térmico.
3. Si la unidad de batería no se carga correctamente:
 - a. Verifique el funcionamiento de la toma enchufando una lámpara u otro aparato;

- b. Revise que la toma de corriente no esté conectada a un interruptor de luz que corte la corriente cuando se corte la luz;
 - c. Mueva el cargador y la unidad de batería a un lugar donde la temperatura ambiental sea aproximadamente 18 °C–24 °C (65 °F–75 °F);
 - d. Si el problema de carga continúa, lleve la herramienta, unidad de batería y el cargador a su centro de servicio local.
4. La unidad de batería debería ser recargada cuando no sea capaz de producir suficiente potencia para trabajos que eran fácilmente realizados antes. NO CONTINÚE usándola bajo estas circunstancias. Siga el procedimiento de carga. También puede cargar una unidad de batería que haya sido usada parcialmente cuando lo desee, sin dañarla.
5. Los materiales ajenos conductores por naturaleza, tales como, pero sin limitarse a, el polvo del esmerilado, las virutas metálicas, la lana de acero, el papel de aluminio o cualquier acumulación de partículas metálicas deberán mantenerse alejados de las cavidades del cargador. Desenchufe siempre el cargador de la toma de corriente cuando no haya una unidad de batería en su cavidad. Desenchufe el cargador antes de intentar limpiarlo.
6. No congele ni sumerja el cargador en agua o cualquier otro líquido.

Instrucciones de Limpieza del Cargador

⚠ ADVERTENCIA: *Riesgo de descarga eléctrica. Desconecte el cargador del tomacorriente de CA antes de limpiarlo. Para limpiar la suciedad y grasa del exterior del cargador puede usarse un paño o cepillo suave no metálico. No use agua ni soluciones limpiadoras.*

Montaje en la Pared

DCB107, DCB112, DCB113, DCB115, DCB118, DCB132

Estos cargadores están diseñados para montarse en la pared o colocarse en posición vertical sobre una mesa o superficie de trabajo. Si lo monta en la pared, coloque el cargador al alcance de una toma de corriente eléctrica y alejado de las esquinas u otras obstrucciones que puedan impedir el flujo de aire. Utilice la parte de atrás del cargador como plantilla para la ubicación de los tornillos de montaje en la pared. Monte el cargador firmemente utilizando tornillos para muro seco (comprados por separado) de un mínimo de 25,4 mm (1") de largo, con una cabeza de un diámetro de 7-9 mm (0,28–0,35"), atornillados en madera hasta una profundidad óptima dejando el tornillo expuesto aproximadamente 5,5 mm (7/32"). Alinee las ranuras en la parte trasera del cargador con los tornillos expuestos e introdúzcalos totalmente en las ranuras.

Uso Debido

Estas podadoras de cuerda está diseñada para aplicaciones de poda profesionales. Este producto no es una bordeadora y no está destinado para utilizarse para bordes.

NO use en condiciones húmedas ni en presencia de líquidos o gases inflamables.

NO permita que los niños toquen la herramienta. Si el operador no tiene experiencia operando esta herramienta, su uso deberá ser supervisado.

MONTAJE Y AJUSTES

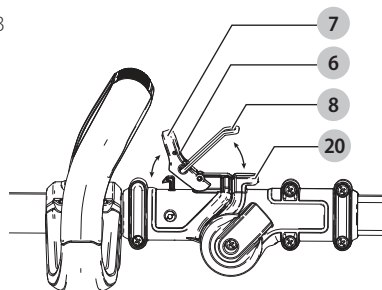
⚠ ADVERTENCIA: *Para reducir el riesgo de lesiones personales, apague la unidad y retire el paquete de batería antes de realizar cualquier ajuste o retirar/installar conexiones o accesorios. Una activación de arranque accidental puede causar lesiones.*

Extensión y Pliegue de Poste (Fig. B)

⚠ ADVERTENCIA: *Para reducir el riesgo de lesiones, no opere la unidad mientras está doblada. La unidad se debe extender completamente y asegurar el broche del poste antes de insertar la batería. Retire la batería antes de doblar la unidad. Doble la unidad completamente hasta que se bloquee en su lugar.*

1. Para bloquear el poste en la posición recta de uso, primero asegúrese que la batería se haya retirado. Después voltee la palanca de bloqueo hacia arriba **6** gire el seguro de poste **7** hacia adelante y coloque la agarradera de poste **8** sobre la conexión de la agarradera **20**. Gire el seguro de poste **7** hacia atrás hasta que se bloquee firmemente en su posición. Revise la palanca de bloqueo para asegurarse que esté bloqueada adecuadamente en su lugar.
2. Para doblar el poste para almacenamiento o transporte, primero asegúrese que la batería se haya retirado. Después voltee la palanca de bloqueo hacia arriba **6**, gire el seguro de poste **7** hacia adelante y levante la agarradera de poste **8** sobre la conexión de la agarradera **20**. Doble el poste completamente hasta que la protección **9** se bloquee firmemente en su lugar sobre la parte trasera del alojamiento de la batería **11**.

Fig. B



Conexión de Manija Auxiliar (Fig. A, C)

1. Coloque la manija auxiliar **4** en la parte superior de la base de la manija **23** de modo que el poste superior de la podadora **15** esté entre ellos.
2. Sostenga la manija auxiliar en su lugar y deslice los pernos de la manija **24** en la manija desde la parte superior, enroscándolos en la base de la manija.
3. Apriete los pernos de la manija con la llave hexagonal suministrada. Asegúrese que la manija esté bien asegurada.

Fig. C

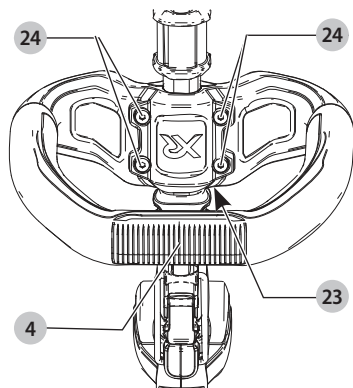


Fig. D

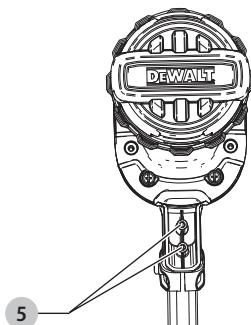
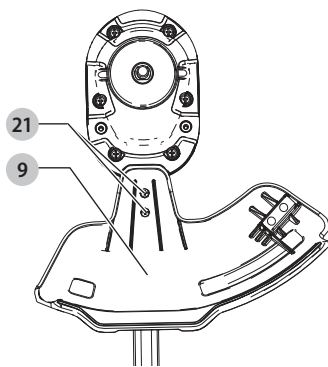


Fig. E



Conexión de protección (Fig. D, E)

⚠ ADVERTENCIA: Nunca retire la protección. Podría resultar en daño o lesiones personales.

⚠ ADVERTENCIA: NUNCA OPERE EL APARATO SIN LA PROTECCIÓN FIRMEAMENTE EN SU LUGAR. La protección siempre debe estar conectada adecuadamente en el aparato para proteger al usuario.

1. Ensamble la protección **9** en el alojamiento del motor **5**.
2. Con un destornillador de cruz, inserte los 2 tornillos de la protección **21** y apriételos firmemente.

NOTA: Una protección de cobertura extendida está disponible (se vende por separado) para una cobertura adicional si lo desea. Use la protección de reemplazo Número de Parte N776035.

OPERACIÓN

⚠ ADVERTENCIA: Para reducir el riesgo de lesiones personales, apague la unidad y retire el paquete de batería antes de realizar cualquier ajuste o retirar/instalar conexiones o accesorios. Una activación de arranque accidental puede causar lesiones.

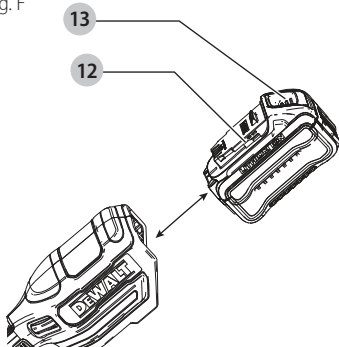
Cómo Instalar y Retirar la Unidad de Batería (Fig. F)

NOTA: Para mejores resultados, verifique que su unidad de batería esté completamente cargada.

Para instalar la unidad de batería **12** en el mango de la herramienta, alinee la unidad de batería con los rieles en el interior del mango de la herramienta y deslícela en el mango hasta que la unidad de batería quede firmemente insertada en la herramienta; verifique que ésta no se salga sola.

Para retirar la unidad de batería de la herramienta, presione el botón de liberación **13** y tire firmemente de la de batería para sacarla del mango de la herramienta. Insértela en el cargador tal como se describe en la sección del cargador de este manual.

Fig. F



Colocación adecuada de manos (Fig. G)

⚠ ADVERTENCIA: Para reducir el riesgo de lesiones personales serias, **SIEMPRE** use la posición de las manos adecuada como se muestra.

⚠ ADVERTENCIA: Para reducir el riesgo de lesiones personales serias, **SIEMPRE** sostenga firmemente en anticipación de una reacción repentina.

⚠ ADVERTENCIA: Utilice siempre una protección para los ojos adecuada que cumpla con la norma ANSI Z87.1 (CAN / CSA Z94.3) mientras opera este aparato.

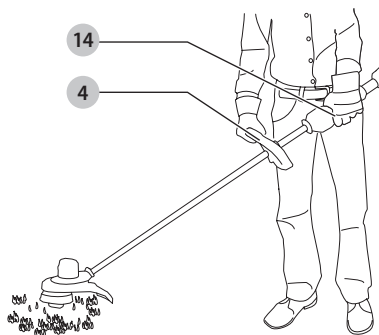
⚠ ADVERTENCIA: Retire la batería antes de realizar cualquier ensamble, ajuste o cambio de accesorios. Tales medidas preventivas de seguridad reducen el riesgo de encender la **PODADORA** por accidente.

⚠ ATENCIÓN: Antes de comenzar a recortar, utilice sólo el tipo de línea de corte apropiado.

⚠ ATENCIÓN: Revise el área a recortar y retire cualquier alambre, cuerda u objetos similares a cuerdas que pudieran enredarse en la línea giratoria o en el carrete. Tenga especial cuidado para evitar cualquier alambre que pueda doblarse hacia fuera en la trayectoria del aparato, tal como púas en la base de una cerca de eslabón de cadena.

La posición de manos adecuada requiere una mano en la manija principal **14** y la otra sobre la manija auxiliar **4**.

Fig. G



Encendido y apagado de podadora (Fig. A)

Para encender el aparato, presione el botón de bloqueo en apagado **2** y después el gatillo de velocidad variable **1**. Para apagar el aparato, libere el gatillo de velocidad variable y el botón de bloqueo de apagado.

⚠ ADVERTENCIA: Nunca intente bloquear el gatillo en la posición de encendido.

Interruptor de control de velocidad (Fig. A)

Esta podadora de hilo le da la opción de operar a una velocidad más eficiente para extender el tiempo de operación para trabajos más grandes, o acelerar la velocidad de la podadora para un corte de alto rendimiento.

Para extender el tiempo de operación, empuje el interruptor de control de velocidad **3** hacia la manija auxiliar **4** hacia la posición "LO". Este modo es el mejor para proyectos más grandes que requieren más tiempo para completarse.

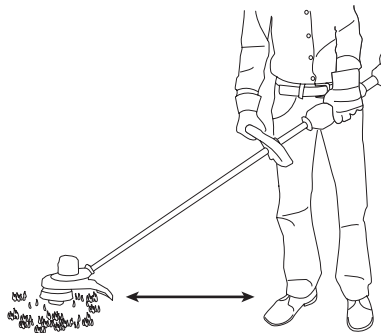
Para acelerar la podadora, jale el interruptor de control de velocidad hacia el alojamiento de la batería **11** en la posición "HI". Este modo es el mejor para cortar un crecimiento más intenso y para aplicaciones que necesitan RPM más altas.

NOTA: Cuando está en modo "HI", el tiempo de operación se disminuirá conforme se compara cuando la podadora está en el modo "LO".

Poda (Fig. H, I)

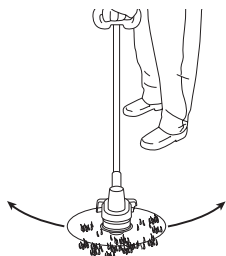
Con la podadora encendida, coloque en ángulo y gire lentamente de lado a lado como se muestra en la Fig. H. Mantenga una distancia mínima de 24" (610 mm) entre la protección y sus pies como se muestra en la Figura I.

Fig. H



- No permita que la tapa del carrito arrastre sobre el suelo u otras superficies.
- En crecimiento largo, corte de arriba abajo y no exceda 12" (304,8 mm) de alto.
- Mantenga la desbrozadora inclinada hacia el área que se está cortando; ésta es la mejor zona de corte.
- La desbrozadora corta al pasar la unidad de izquierda a derecha. Esto evitará arrojar residuos al operador.
- Evite árboles y arbustos. Corteza de árbol, molduras de madera, revestimiento, y los postes de cerca pueden dañarse fácilmente por la cuerda.

Fig. I



⚠ ADVERTENCIA: Mantenga la cuerda giratoria aproximadamente paralela al suelo (inclinada no más de 30 grados). Esta podadora no es una bordeadora. NO INCLINE la podadora para que la cuerda gire cerca de un ángulo recto con respecto al suelo. Los desechos arrojados pueden causar lesiones serias.

Alimentación de línea de podadora de alimentación de tope

Su podadora usa una línea de nylon de 0.080" (2.0 mm) de diámetro. La línea de corte se desgastará más rápido y requiere más alimentación si el corte se realiza a lo largo de aceras u otras superficies abrasivas o hierbas más pesadas están siendo cortadas.

Al usar la podadora, la cuerda se acortará debido al desgaste. Golpee suavemente la podadora en el suelo mientras funciona a velocidad normal y se alimentará la línea.

NOTA: Extender la línea de nylon más allá de la franja de 14" (355 mm) afectará negativamente el rendimiento, el tiempo de funcionamiento y la vida útil de la podadora debido al potencial de dañar el motor. Hacerlo puede anular la garantía.

Consejos útiles de corte

- Utilice la punta de la cuerda para hacer el corte; no fuerce la cabeza de la cuerda en césped sin cortar.
- Las cercas de alambre y picos causan un desgaste extra en las cuerdas, incluso ruptura. Piedra y paredes de ladrillo, aceras y madera pueden desgastar la cuerda rápidamente.

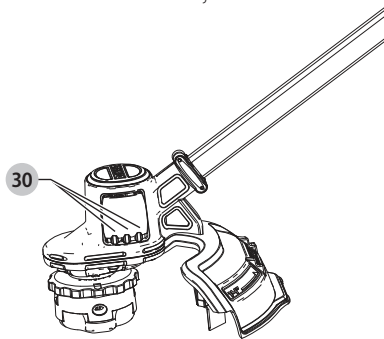
MANTENIMIENTO

⚠ ADVERTENCIA: Para reducir el riesgo de lesiones personales, apague la unidad y retire el paquete de batería antes de realizar cualquier ajuste o retirar/instalar conexiones o accesorios. Una activación de arranque accidental puede causar lesiones.

Tratamientos de mantenimiento (Fig. J)

- Mantenga limpias las ranuras de entrada de aire **30** para evitar el sobrecalentamiento (Fig. J).
- La línea de su podadora puede secarse con el tiempo. Para mantener su línea en perfectas condiciones, almacene la línea de repuesto en una bolsa de plástico sellable con una cucharada de agua.
- Las partes de plástico se pueden limpiar con un jabón suave y un trapo húmedo.
- El cortador de línea en el borde de la protección puede perder filo con el tiempo. Se recomienda retocar periódicamente el filo de la hoja con una lima.

Fig. J



Accesorios de Reemplazo

⚠ ADVERTENCIA: Para reducir el riesgo de lesiones personales, apague el aparato y retire la batería antes de realizar cualquier ajuste o retirar/instalar conexiones o accesorios.

⚠ ADVERTENCIA: El uso de cualquier accesorio no recomendado por DEWALT para uso con este aparato podría ser peligroso.

⚠ ADVERTENCIA: No use ninguna cuchilla ni ningún accesorio o conexión que no sean los recomendados por DEWALT en esta podadora. Se pueden producir lesiones graves o daños al producto.

Use la línea de reemplazo DEWALT Modelo No. DWO1DT801 o DWO1DT802.

Cuando reemplace la línea, sólo use línea de .080" (2.0 mm) de diámetro (Se recomienda el Modelo No. DWO1DT801 o DWO1DT802). Otros tamaños pueden degradar el rendimiento o causar daños a la podadora.

Recarga de línea de corte (Fig. K–M)

⚠ ADVERTENCIA: Para reducir el riesgo de lesiones personales, apague la unidad y retire el paquete de batería antes de realizar cualquier ajuste o retirar/instalar conexiones o accesorios, cuando reemplace la línea, o antes de la limpieza. Un arranque accidental puede causar lesiones.

⚠ ATENCION: Utilice únicamente carretes y línea de repuesto DEWALT. El uso de la línea de cualquier otro fabricante puede reducir el desempeño, dañar la podadora o causar lesiones personales. Su cortadora usa una línea de 0.080" (2.0 mm) de diámetro que tiene forma de espiral con bordes redondos lisos. No use otros tamaños de línea. Esto puede degradar el rendimiento, causar daños a la unidad o lesiones.

⚠ ATENCION: Para evitar daños del aparato, si la línea de corte sobresale más allá de la cuchilla de corte, córtela de modo que sólo llegue a la cuchilla.

Sólo use línea de reemplazo DEWALT.

1. Retire la batería.
2. Corte una longitud máxima de 20' (6 m) de la línea de podadora de 0.080" (2.0 mm).
3. Alinee los ojales del alojamiento del carrete **26** con la flecha **27** en la cubierta de sujeción del carrete **29**, como se muestra en la Figura K.
4. Pase un extremo de la línea de la podadora a través de un ojal. Guíe la línea hasta el segundo ojal y continúe jalando la línea hasta que haya longitudes iguales de cuerda en cada lado del alojamiento del carrete como se muestra en la Figura L.
5. Evite que la tapa del carrete se mueva con una mano. Con la otra mano, enrolle la cuerda en el carrete girando la cubierta de sujeción del carrete en el sentido contrario a las manecillas del reloj. Continúe enrollando hasta que queden 5" (130 mm) de cuerda en cada lado del alojamiento del carrete.

Fig. K

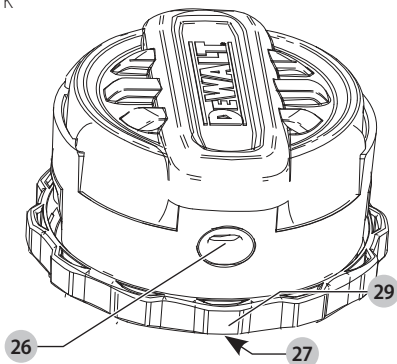


Fig. L

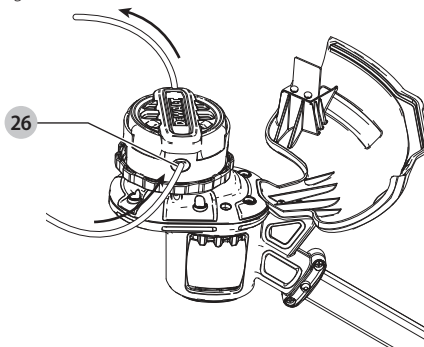
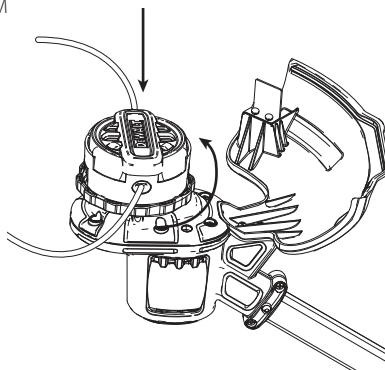


Fig. M



Limpieza

⚠ ADVERTENCIA: Sopla la suciedad y el polvo de todos los conductos de ventilación con aire seco, al menos una vez por semana. Para reducir el riesgo de lesiones, utilice siempre protección para los ojos aprobada ANSI Z87.1 al realizar esta tarea.

ADVERTENCIA: *Nunca utilice solventes ni otros químicos abrasivos para limpiar las piezas no metálicas de la herramienta. Estos productos químicos pueden debilitar los materiales plásticos utilizados en estas piezas. Utilice un paño humedecido sólo con agua y jabón neutro. Nunca permita que penetre líquido dentro de la herramienta ni sumerja ninguna de las piezas en un líquido.*

Accesorios

ADVERTENCIA: *Debido a que no se han probado con este producto otros accesorios que no sean los que ofrece DEWALT, el uso de dichos accesorios con esta herramienta podría ser peligroso. Para reducir el riesgo de lesiones, con este producto deben usarse sólo los accesorios recomendados por DEWALT.*

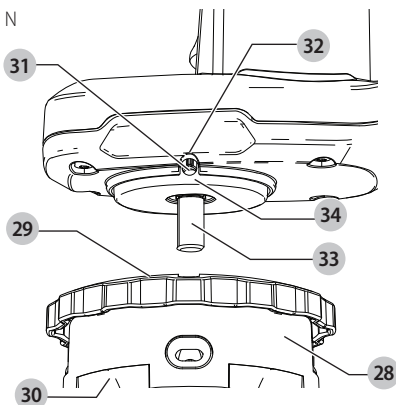
Los accesorios que se recomiendan para utilizar con la herramienta están disponibles a un costo adicional en su distribuidor local o en un centro de mantenimiento autorizado. Si necesita ayuda para localizar algún accesorio, póngase en contacto con DEWALT, llame al 1-800-4-DEWALT (1-800-433-9258) o visite nuestro sitio web: www.dewalt.com.

Accesorios de Reemplazo

Reemplazo de ensamble de carrete (Fig. A, N)

1. Gire el alojamiento del carrete **10** hasta que el orificio **31** de la placa del husillo se alinee con la muesca **32** del alojamiento del motor. Inserte un destornillador a través de la muesca y en el orificio, para evitar que el husillo gire.
2. Desatornille y retire el alojamiento del carrete girando la cubierta de sujeción del carrete **29** en el sentido de las manecillas del reloj.
3. **NOTA:** No intente retirar el carrete girando el alojamiento del carrete **28**.
4. Retire la placa del husillo **34** antes de instalar un nuevo carrete. Retire la suciedad y el césped del alojamiento del motor y de la placa del husillo.
5. Instale la placa del husillo **34** en el husillo **33**, de modo que la tuerca de retención en forma de doble D en el husillo se encuentre dentro de la base de la placa del husillo.
6. Alinee el orificio y la muesca de la placa del eje, inserte un destornillador en el orificio y atornille el nuevo alojamiento del carrete en sentido contrario a las manecillas del reloj. Apriete firmemente el nuevo alojamiento del carrete sobre el husillo **33**.

Fig. N



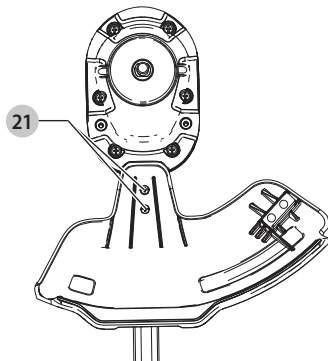
Reemplazo de protección (Fig. O)

Una protección de cobertura extendida está disponible (se vende por separado) para una cobertura adicional si lo desea. Use la protección de reemplazo DEWALT Número de Parte N496261.

ADVERTENCIA: *Nunca opere el aparato sin la protección firmemente en su lugar.*

1. Retire los 2 tornillos de la protección **21**.
2. Sujete la protección como se describe en la sección **Conexión de protección**.

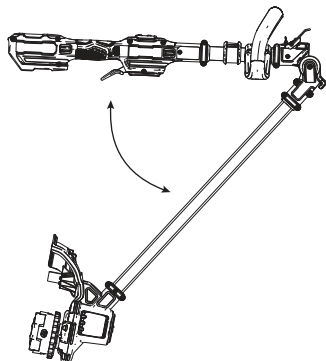
Fig. O



Pliegue para almacenamiento o transporte (Fig. P)

La podadora de cuerda se puede plegar para almacenamiento o transporte. Para colocar la podadora de cuerda en posición plegada, consulte **Extensión y pliegue del poste**.

Fig. P



Reparaciones

El Cargador y las unidades de batería no pueden ser reparados. El cargador y la unidad de batería no contienen piezas reparables.



ADVERTENCIA: *Para asegurar la SEGURIDAD y la CONFIABILIDAD del producto, las reparaciones, el mantenimiento y los ajustes (inclusive la inspección y el cambio de las escobillas, cuando proceda) deben ser realizados en un centro de mantenimiento en la fábrica DEWALT u en un centro de mantenimiento autorizado DEWALT. Utilice siempre piezas de repuesto idénticas.*

Para reparación y servicio de sus herramientas eléctricas, favor de dirigirse al Centro de Servicio más cercano

CULIACAN, SIN

Bldv. Emiliano Zapata 5400-1 Poniente Col. (667) 717 89 99
San Rafael

GUADALAJARA, JAL

Av. La Paz #1779 - Col. Americana Sector (33) 3825 6978
Juárez

MEXICO, D.F.

Eje Central Lázaro Cárdenas No. 18 - Local (55) 5588 9377
D. Col. Obrera

MERIDA, YUC

Calle 63 #459-A - Col. Centro (999) 928 5038

MONTERREY, N.L.

Av. Francisco I. Madero 831 Poniente - Col. (818) 375 23 13
Centro

PUEBLA, PUE

17 Norte #205 - Col. Centro (222) 246 3714

QUERETARO, QRO

Av. San Roque 274 - Col. San Gregorio (442) 2 17 63 14

SAN LUIS POTOSI, SLP

Av. Universidad 1525 - Col. San Luis (444) 814 2383

TORREON, COAH

Bldv. Independencia, 96 Pte. - Col. Centro (871) 716 5265

VERACRUZ, VER

Prolongación Díaz Mirón #4280 - Col. (229) 921 7016
Remes

VILLAHERMOSA, TAB

Constitución 516-A - Col. Centro (993) 312 5111

PARA OTRAS LOCALIDADES:

**Si se encuentra en México, por favor llame al
(55) 5326 7100**

**Si se encuentra en U.S., por favor llame al
1-800-4-DEWALT (1-800-433-9258) 1-800-4-DEWALT
(1-800-433-9258) o visite nuestro sitio web: www.dewalt.com**

Póliza de Garantía

IDENTIFICACIÓN DEL PRODUCTO:

Sello o firma del Distribuidor.

Nombre del producto: _____

Mod./Cat.: _____

Marca: _____

Núm. de serie: _____

(Datos para ser llenados por el distribuidor)

Fecha de compra y/o entrega del producto:

Nombre y domicilio del distribuidor donde se adquirió el producto:

Este producto está garantizado por un año a partir de la fecha de entrega, contra cualquier defecto en su funcionamiento, así como en materiales y mano de obra empleados para su fabricación. Nuestra garantía incluye la reparación o reposición del producto y/o componentes sin cargo alguno para el cliente, incluyendo mano de obra, así como los gastos de transportación razonablemente erogados derivados del cumplimiento de este certificado.

Para hacer efectiva esta garantía deberá presentar su herramienta y esta póliza sellada por el establecimiento comercial donde se adquirió el producto, de no contar con ésta, bastará la factura de compra.

Excepciones

Esta garantía no será válida en los siguientes casos:

- Cuando el producto se hubiese utilizado en condiciones distintas a las normales;
- Cuando el producto no hubiese sido operado de acuerdo con el instructivo de uso que se acompaña;
- Cuando el producto hubiese sido alterado o reparado por personas distintas a las enlistadas al final de este certificado.

Anexo encontrará una relación de sucursales de servicio de fábrica, centros de servicio autorizados y franquiciados en la República Mexicana, donde podrá hacer efectiva su garantía y adquirir partes, refacciones y accesorios originales.

Solamente para propósito de México:

Importado por: DEWALT Tool Co. S.A. de C.V.
Avenida Antonio Dovali Jaime, # 70 Torre B Piso 9
Colonia La Fe, Santa Fé
Código Postal : 01210
Delegación Alvaro Obregón
México D.F.
Tel. (52) 555-326-7100
R.F.C.: BDE810626-1W7

Registro en Línea

Gracias por su compra. Registre su producto ahora para:

- **SERVICIO EN GARANTÍA:** Si completa esta tarjeta, podrá obtener un servicio en garantía más eficiente, en caso de que exista un problema con su producto.
- **CONFIRMATCIÓN DE PROPIEDAD:** En caso de una pérdida que cubra el seguro, como un incendio, una inundación o un robo, el registro de propiedad servirá como comprobante de compra.
- **PARA SU SEGURIDAD:** Si registra el producto, podremos comunicarnos con usted en el caso improbable que se deba enviar una notificación de seguridad conforme a la Federal Consumer Safety Act (Ley Federal de Seguridad de Productos para el Consumidor).
- Registro en línea en www.dewalt.com.

Garantía Limitada por Tres Años

DEWALT reparará o reemplazará, sin cargo, cualquier defecto debido a materiales o mano de obra defectuosos por tres años desde la fecha de compra (dos años para las baterías). Esta garantía no cubre falla de partes debido al desgaste normal o abuso de la herramienta. Para detalles adicionales de la cobertura de la garantía e información de reparación de garantía, visite www.dewalt.com o llame al 1-800-4-DEWALT (1-800-433-9258). Esta garantía no se aplica a accesorios o daño causado cuando otros hayan realizado o intentado reparaciones. ESTA GARANTÍA LIMITADA SE OTORGA EN LUGAR DE TODAS LAS DEMÁS, INCLUIDA LA GARANTÍA IMPLÍCITA DE COMERCIABILIDAD E IDONEIDAD PARA UN PROPÓSITO EN PARTICULAR, Y EXCLUYE TODOS LOS DAÑOS INCIDENTALES O EN CONSECUENCIA. Algunos estados no permiten limitaciones sobre la duración de una garantía implícita o la exclusión o limitación de daños incidentales o en consecuencia, por lo que estas limitaciones pueden no aplicarse en su caso. Esta garantía le da derechos legales específicos y puede tener otros derechos que varían en ciertos estados o provincias. Además de la garantía, las herramientas DEWALT están cubiertas por:

1 AÑO DE SERVICIO GRATUITO

DEWALT mantendrá la herramienta y reemplazará las piezas gastadas por su uso normal, sin cobro, en cualquier momento durante un año a contar de la fecha de compra

2 AÑOS DE SERVICIO GRATUITO PARA UNIDADES DE ALIMENTACIÓN DEWALT

DC9071, DC9091, DC9096, DC9182, DC9280, DC9360,
DCB120, DCB122, DCB124, DCB127, DCB201, DCB203BT,
DCB207, DCB361

3 AÑOS DE SERVICIO GRATUITO PARA UNIDADES DE ALIMENTACIÓN DEWALT

DCB200, DCB203, DCB204, DCB204BT, DCB205, DCB205BT,
DCB206, DCB230, DCB606, DCB609, DCB612

NOTA: La garantía del producto quedará nula si la unidad de batería ha sido alterada de cualquier manera. DEWALT no es responsable de ninguna lesión causada por alteraciones y podría iniciar un procedimiento judicial por fraude de garantía hasta el máximo grado permisible por la ley.

GARANTÍA DE REEMBOLSO DE SU DINERO POR 90 DÍAS

Si no está completamente satisfecho con el desempeño de su máquina herramienta o clavadora DEWALT, cualquiera sea el motivo, podrá devolverlo hasta 90 días de la fecha de compra con su recibo y obtener el reembolso completo de su dinero – sin necesidad de responder a ninguna pregunta.

AMÉRICA LATINA: Esta garantía no se aplica a los productos que se venden en América Latina. Para los productos que se venden en América Latina, debe consultar la información de la garantía específica del país que viene en el empaque, llamar a la compañía local o visitar el sitio Web a fin de obtener esa información.

REEMPLAZO GRATUITO DE LAS ETIQUETAS DE

ADVERTENCIAS: Si sus etiquetas de advertencia se vuelven ilegibles o faltan, llame al 1-800-4-DEWALT (1-800-433-9258) para que se le reemplacen gratuitamente.

**Compatible battery packs and chargers / Blocs-piles et chargeurs compatibles /
Baterías y cargadores compatibles**

20V Max* Li-Ion	Battery Packs Blocs-piles Baterías	DCB200, DCB201, DCB203, DCB204, DCB204BT**, DCB205, DCB205BT**, DCB206, DCB208, DCB230, DCB240
	Chargers Chargeurs Cargadores	DCB101, DCB103, DCB104, DCB107, DCB112, DCB113, DCB115, DCB118, DCB132

60V Max* Li-Ion	Battery Packs Blocs-piles Baterías	DCB606, DCB609, DCB612
	Chargers Chargeurs Cargadores	DCB101, DCB103, DCB104, DCB107, DCB112, DCB113, DCB115, DCB118, DCB132

* Maximum initial battery voltage (measured without a workload) is 12, 20, 60 or 120 volts. Nominal voltage is 10.8, 18, 54 or 108. (120V Max* is based on using 2 DeWALT 60V Max* lithium-ion batteries combined.)

* La tension initiale maximum du bloc-piles (mesurée à vide) est de 12, 20, 60 ou 120 volts. La tension nominale est de 10,8, 18, 54 ou 108. (120 V max* se base sur l'utilisation combinée de 2 blocs-piles au lithium ion DeWALT de 60 V max*.)

* El máximo voltaje inicial de la batería (medido sin carga de trabajo) es 12, 20 o 60 voltios. El voltaje nominal es de 10,8, 18, 54 o 108 V. (120 V Máx* se basan en el uso de 2 baterías de iones de litio DeWALT de 60 V Máx* combinadas.)

**BT - Bluetooth®

NOTE: The Bluetooth® word mark and logos are registered trademarks owned by the Bluetooth® SIG, Inc. and any use of such marks by DeWALT is under license. Other trademarks and trade names are those of their respective owners.

REMARQUE : le mot servant de marque et les logos Bluetooth® sont des marques déposées appartenant à Bluetooth SIG, Inc. et toute utilisation de ces marques par DeWALT est sous licence. Les autres marques de commerce et noms commerciaux sont ceux de leurs détenteurs respectifs.

NOTA: La palabra y los logotipos de Bluetooth® son marcas registradas propiedad de Bluetooth®, SIG, Inc. y DeWALT utiliza dichas marcas bajo licencia. Otras marcas comerciales y nombres comerciales pertenecen a sus respectivos propietarios.

⚠ WARNING: Use of any other battery packs may create a risk of injury and fire.

⚠ AVERTISSEMENT : utiliser d'autres blocs-piles peut créer un risque de blessure ou d'incendie.

⚠ ADVERTENCIA: El uso de cualquier otro paquete de batería puede crear un riesgo de lesiones e incendio.

DeWALT Industrial Tool Co. 701 East Joppa Road, Towson, MD 21286

Copyright © 2019

The following are trademarks for one or more DeWALT power tools: the yellow and black color scheme, the "D" shaped air intake grill, the array of pyramids on the handgrip, the kit box configuration, and the array of lozenge-shaped humps on the surface of the tool.