



	<p>4" Duct (Standard): 80 CFM/1.3 Sone @ 0.1 SP, 11.3 Watts 60 CFM/1.5 Sones @ 0.25 SP, 11.5 Watts</p>		
--	---	--	--

Description

Low noise ceiling mount ventilating Fan/LED Light rated for continuous running. Fan has been awarded ENERGY STAR® qualified. It is HVI, UL, and cUL certified, and can be used to comply with ASHRAE 62.2 (local and whole building continuous and intermittent operation), CA Title 24, and CALGreen requirements.

DC Motor/Blower

- Power rating of 120 volts/60Hz
- DC Brushless motor engineered to run continuously
- Motor equipped with thermal cutoff fuse
- Removable with permanently lubricated plug-in motor
- Built-in soft start function to increase bearings' life
- Automatically powers OFF when impeller is locked abnormally
- Self-compensating motor speed for intended airflow when static pressure is encountered

Housing

- Galvanized steel body
- Detachable 4" diameter plastic duct adapter
- Built-in backdraft damper
- Easy installation

Grille

- Attractive design using ABS material
- Attaches directly to housing with torsion springs

Light

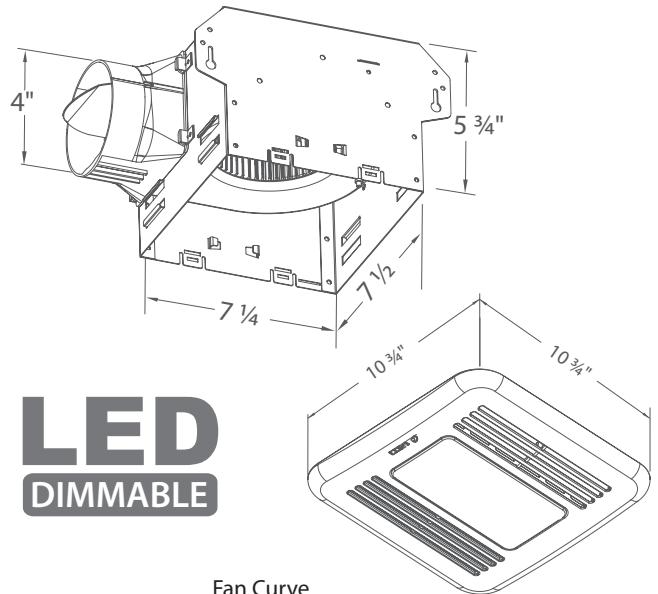
- (1) 13-Watt LED
- Light output 850 Lumens, 2700K
- Dimmable Lighting (dimmer switch not included)

Warranty

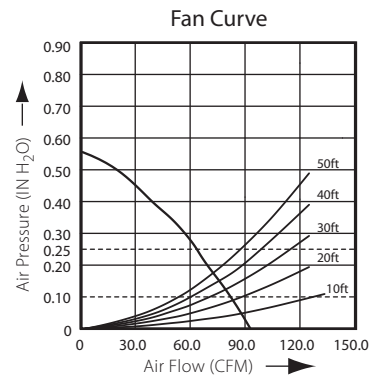
- 3-year limited warranty

TYPICAL SPECIFICATION

Ventilation fan shall be Delta Breez model ITG80LED; ENERGY STAR qualified with DC brushless motor engineered to run continuously for a minimum 70,000 hours; airflow rating of 80 CFM and loudness rating of 1.3 Sone at 0.1 static pressure as certified by the Home Ventilating Institute (HVI); power consumption of 11.3 Watts with efficiency rating of 7.2 CFM/Watt at 0.1" static pressure; motor lock protection and self-compensating motor speed for intended airflow when static pressure is encountered. UL and cUL listed for tub/shower enclosure when used with GFCI-protected branch circuit wiring.



**LED
DIMMABLE**



BreezIntegrity ITG80LED	4" Duct (Standard)	
Static Pressure (inches w.g.)	0.1	0.25
Air Flow (CFM)	80	60
Sones	1.3	1.5
Power Consumption (Watts)	11.3	11.5
Energy Efficiency (CFM/Watt)	7.2	6.2
Current (Amps)	0.2 Max	
Power Rating (V/Hz)	120/60	
LED Light (Watt)	13.0	

Model	Quantity	Comments	Project:
			Location:
			Architect:
			Engineer:
			Contractor:
			Submitted by:
			Date: