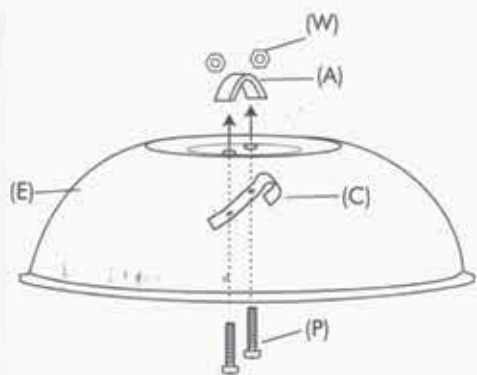
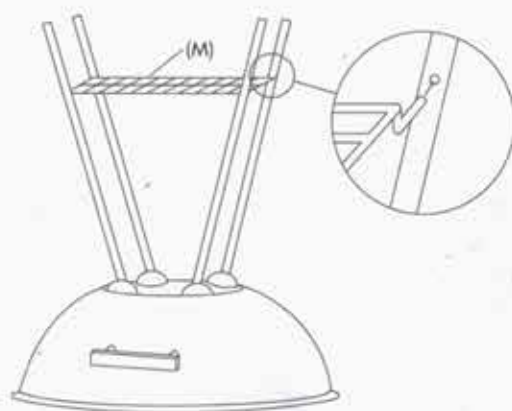




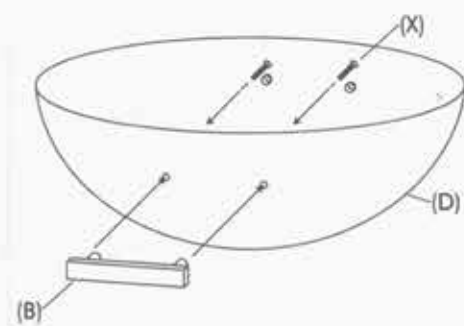
1



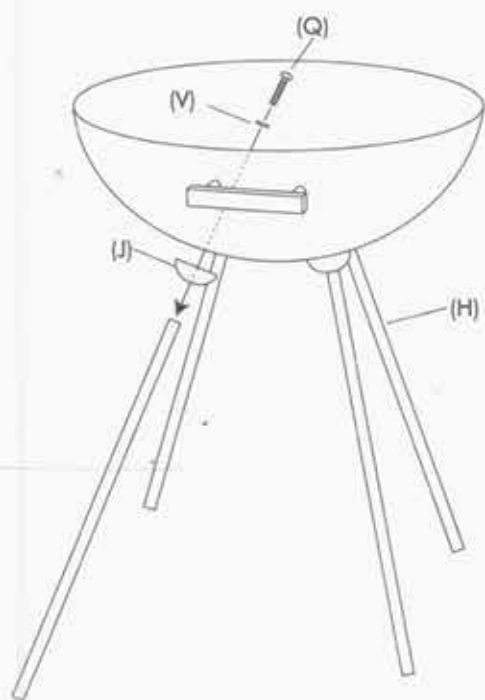
4



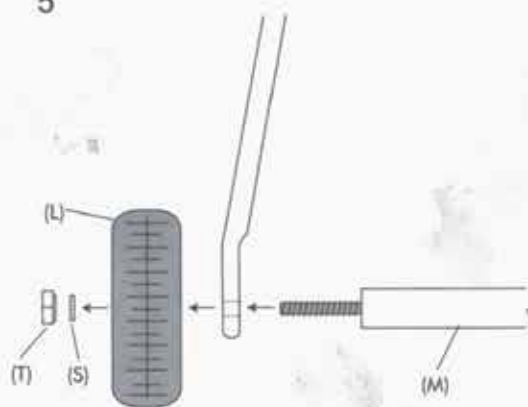
2



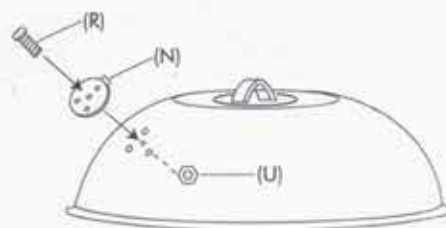
3



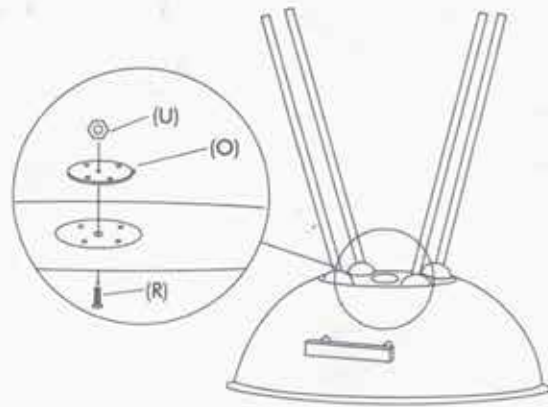
5



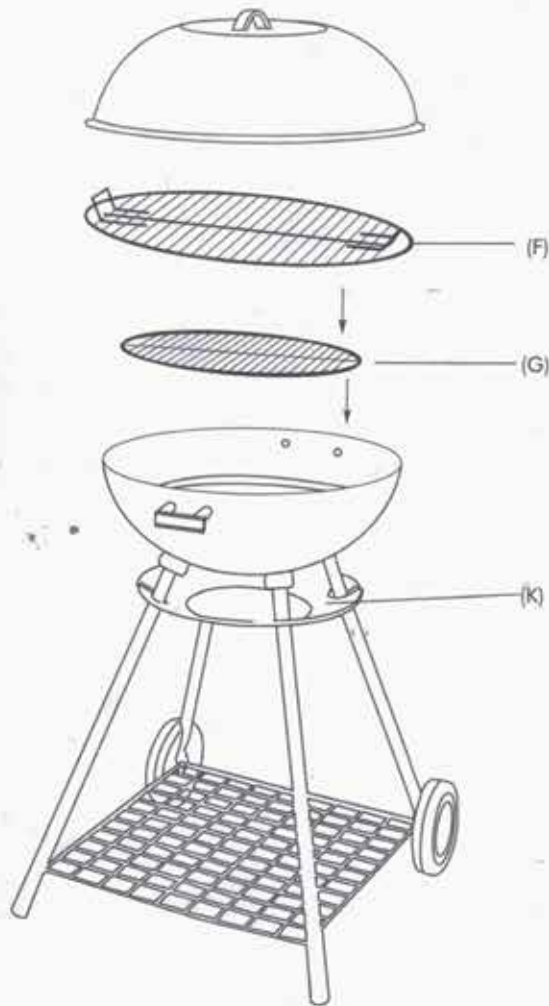
6
























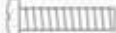


7



8



(A)		1
(B)		2
(C)		1
(D)		1
(E)		1
(F)		1
(G)		1
(H)		2
(I)		2
(J)		4
(K)		1
(L)		2
(M)		1
(N)		1
(O)		1
(P) M4 X 18		2
(Q) M6 X 25		4
(R) M5 X 10		2
(S)		2
(T)		2
(U) M5		2
(V) Ø6		4
(W) M4		2
(X) M6 X 18		4