



SKU# 1002 877 771
SKU# 1006 988 303
THD.com# 1002 812 663
SKU/THD.com# 1005 514 368
Model #HOTC5623BB2S
Model #HOTC5623BL2S

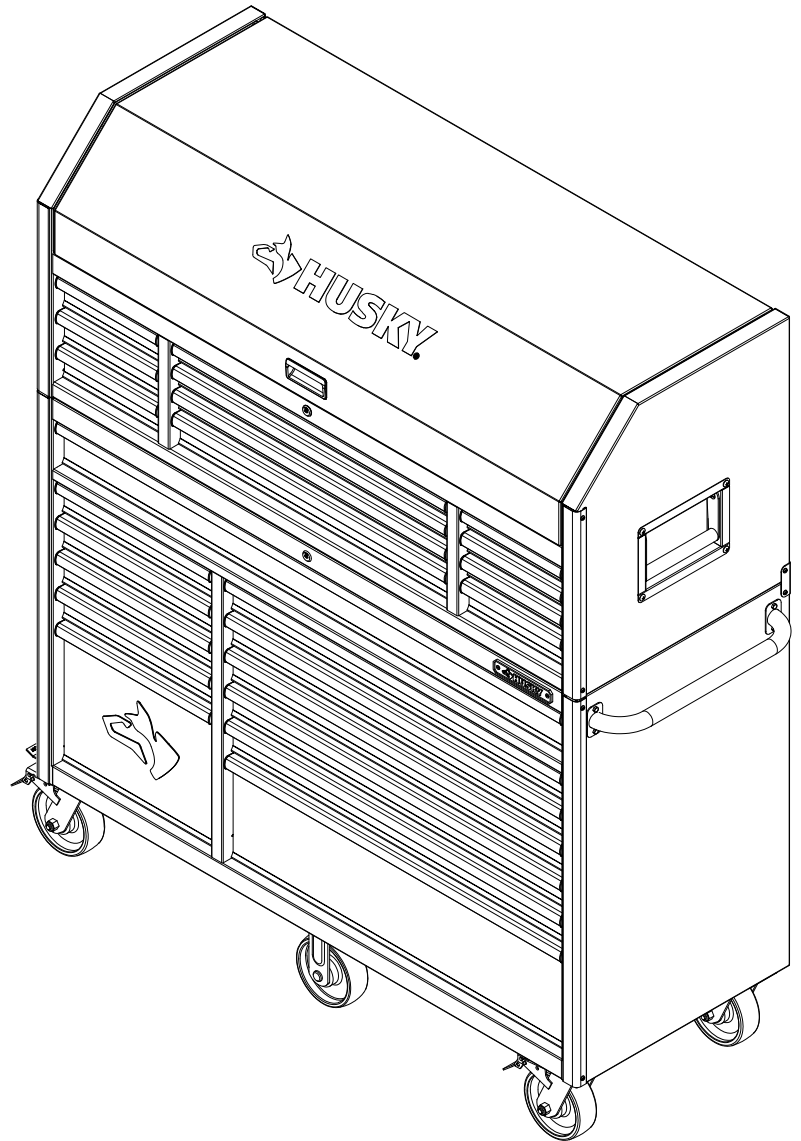
USE AND CARE GUIDE

56 IN. 23-DRAWER HEAVY DUTY TOOL CHEST AND CABINET SET

Questions, problems, missing parts?
Before returning to the store, call
Husky Customer Service
8 a.m - 7 p.m., EST, Monday-Friday,
9 a.m. - 6 p.m., EST, Saturday

1-888-HD-HUSKY

HUSKYTOOLS.COM



THANK YOU

We appreciate the trust and confidence you have placed in Husky through the purchase of this chest/cabinet. We strive to continually create quality products designed to enhance your home. Visit us online to see our full line of products available for your home improvement needs. Thank you for choosing Husky!

Table of Contents

Table of Contents.....	2	Assembly.....	6
Safety Information.....	2-3	Operation.....	8
Warranty.....	3	Maintenance.....	9
Pre-Assembly.....	4	Care and Cleaning.....	9
Tools Required.....	4	Service Parts.....	10
Hardware Included.....	4		
Specifications.....	4		
Package Contents.....	5		

Safety Information

1. Do not open more than one drawer at a time.
2. Do not let children approach the tool chest / cabinet, power strip and LED working light.
3. To help prevent the product from tipping, load the product starting with the bottom drawers.
4. Keep the locking casters brake set unless you are moving the cabinet. This will help to prevent the product from rolling.
5. Lock both the lid and all drawers before moving the cabinet / chest.
6. Do not step in any drawer / drawers.
7. When moving this product, push it rather than pull it.
8. Do not alter this product including power strip and LED working light in any manner.

Plug and Outlet Safety



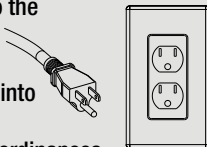
WARNING: This product is for use on a nominal 120-volt circuit and has a grounding plug. Chest/cabinet plugs must match the outlet. Never modify the plug in any way. Do not use any adapter plugs with earth (grounded) chest/cabinet power strips. Unmodified plugs and matching outlets will reduce risk of electric shock.



WARNING: Avoid body contact with earthed or grounded surfaces such as pipes, radiators, ranges and refrigerators. There is increased risk of electric shock if your body is earthed or grounded.



WARNING: Chests/cabinets marked "Grounding Required" have a power strip with a three wire cord and three prong grounding plug. The plug must be connected to a properly grounded outlet (See Figure). If the power strip should electrically malfunction or break down, grounding provides a low resistance path to carry electricity away from the user, reducing the risk of electric shock. The grounding prong in the plug is connected through the green wire inside the cord to the grounding system in the power strip. The green wire in the cord must be the only wire connected to the power strip's grounding system and must ever be attached to an electrically "live" terminal. Your power strip must be plugged into an appropriate outlet, properly installed and grounded in accordance with all codes and ordinances.



DANGER: Do not stand on this product. You may fall or cause the product to tip.



DANGER: Do not move the product prior to closing and locking all the drawers. The drawers could come open and make the product unstable and tip.



DANGER: Do not mount this product on a truck bed or any other moving object.



WARNING: Keep the product on a level surface. The product may become unstable and tip if stored or moved on an uneven surface.



WARNING: Be careful when closing the cover. Remove hands before closing the cover.



WARNING: Do not unplug by pulling on cord. To unplug, grasp the plug, not the cord.



CAUTION: Do not lift this product directly with a forklift or tow with any mechanical devices.



CAUTION: Do not exceed the maximum product weight, including contents. Do not exceed the maximum weight for each drawer. See Specifications on page 4.



CAUTION: Only transport this product when empty. Properly secure when transporting.



WARNING: Unplug from outlet when not in use, and before putting on or taking off parts.



WARNING: Keep the cord away from heated surfaces.



WARNING: Do not use outdoors.

Safety Information (continued)



WARNING: The chest-cabinet is intended for household use.



WARNING: For loading always put heavier items at the bottom and not near the top in order to help prevent the possibility of the chest-cabinet tipping over.



DANGER: To reduce the risk of electric shock, always unplug this chest-cabinet from the electrical outlet before cleaning.



CAUTION: Do not use the side handle as a point of leverage to lift the unit off of the ground. Handle is not intended to withstand the force of vertical lifting, and is only designed to aid in the movement of unit around on casters. Failure to adhere to this warning may cause handle to break and cause personal injury and/or product damage.

LED Working Light Safety

- To reduce the risk of injury, close supervision is necessary when a product is used near children.
- Do not contact hot parts.
- Only use attachments recommended or sold by the manufacturer.
- To reduce the risk of electrical shock, do not put product in water or other liquid. Do not place or store product where it can fall or be pulled into a tub or sink.



WARNING: Only use Portable luminaire with Transformer(included) rated input 100-200Vac, 50/60Hz, 0.5A max and output 5Vdc, 2.4A.



CAUTION: This working light is designed for indoor use only. Do not use it in humid environments (like in a bathroom or outdoors). Otherwise the components inside may short-circuit and result in accidents.



WARNING: Do not allow the product to fall from high places.

This device complies with Part 15 of the FCC Rules. Operation is subject to the following two conditions: (1) This device may not cause harmful interference, and (2) This device must accept any interference received, including interference that may cause undesired operation.



NOTE: This equipment has been tested and found to comply with the limits for a Class B digital device, pursuant to Part 15 of the FCC Rules. These limits are designed to provide reasonable protection against harmful interference in a residential installation. This equipment generates, uses and can radiate radio frequency energy and, if not installed and used in accordance with the instructions, may cause harmful interference to radio communications. However, there is no guarantee that interference will not occur in a particular installation. If this equipment does cause harmful interference to radio or television reception, which can be determined by turning the equipment off and on, the user is encouraged to try to correct the interference by one or more of the following measures:

- Reorient or relocate the receiving antenna.
- Increase the separation between the equipment and receiver.
- Connect the equipment into an outlet on a circuit different from that to which the receiver is connected.
- Consult the dealer or an experienced radio/TV technician for help.



WARNING: Changes or modifications to this unit not expressly approved by the party responsible for compliance could void the user's authority to operate the equipment.

The Responsible party information:
Clearwater Metal Vn JSC
Lot CN2, Mai Trung IZ, An Tay Village, Ben Cat Town, Binh Duong Province, Vietnam. Tel: +84.274.3581.773

Product name: Power strip 8 outlets with 2 USB ports
Model# K2415010

Warranty

The manufacturer warrants the product to be free from defects in materials and workmanship for a period of five (5) years from date of purchase. This warranty applies only to the original consumer and only to products used in normal use and service. If this product is found to be defective, the manufacturer's only obligation, and your exclusive remedy, is the repair or replacement of the product at the manufacturer's discretion, provided that the product has not been damaged through misuse, abuse, accident, modifications, alteration neglect or mishandling. This warranty shall not apply to any product that is found to have been improperly installed, set-up, or used in any way not in accordance with the instructions supplied with the product. This warranty shall not apply to a failure of the product as a result of an accident, misuse, abuse, negligence, alteration, faulty installation, or any other failure not relating to faulty material or workmanship. This warranty shall not apply to the finish on any portion of the products such as surface and/or weathering, as this is considered normal wear and tear.

The manufacturer does not warrant and specifically disclaims any warranty, whether express or implied, of fitness for a particular purpose, other than the warranty contained herein. The manufacturer specifically disclaims any liability and shall not be liable for any consequential or incidental loss or damage, including but not limited to any labor/expense costs involved in the replacement or repair of said product.

Contact the Customer Service Team at 1-888-HD-HUSKY or visit www.huskytools.com.

Pre-assembly

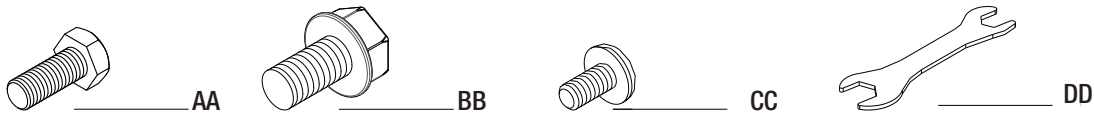
TOOLS REQUIRED



HARDWARE INCLUDED



NOTE: Hardware not shown to actual size.



Part	Description	Quantity
AA	Bolt M6x15L	4
BB	Bolt M8x15L	24
CC	Screw M4x10L	8
DD	10 mm/13 mm wrench	1

SPECIFICATIONS

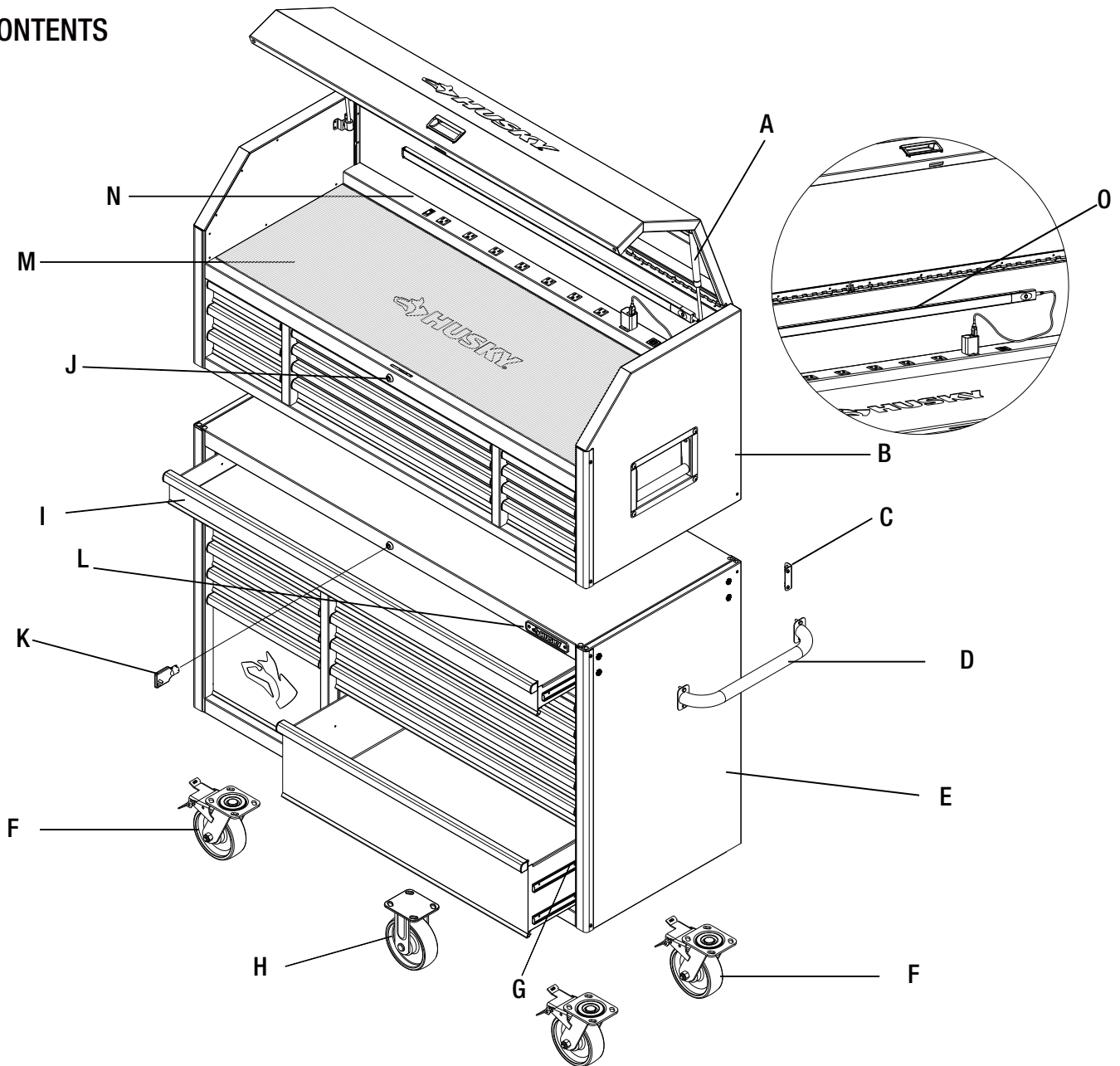
Maximum capacity (chest drawer)	1200 lbs.
Maximum capacity (cabinet drawer)	1800 lbs.
Empty weight	623.9 lbs.



NOTE: Begin product assembly close to the final intended location of your chest/cabinet. This product is heavy and may be difficult to move after assembly.

Pre-assembly (continued)

PACKAGE CONTENTS



Part	Description	Quantity
A	Gas lift	2
B	Top chest	1
C	Bracket	2
D	Side handle	1
E	Rolling cabinet	1
F	Swivel caster with brake	4
G	Drawer slide (pair)	25

Part	Description	Quantity
H	Regular caster	2
I	Drawer	23
J	Lock	2
K	Key (set)	2
L	Husky badge	1
M	Drawer Liner	24
N	8-outlet power strip	1
O	Portable LED work light	1

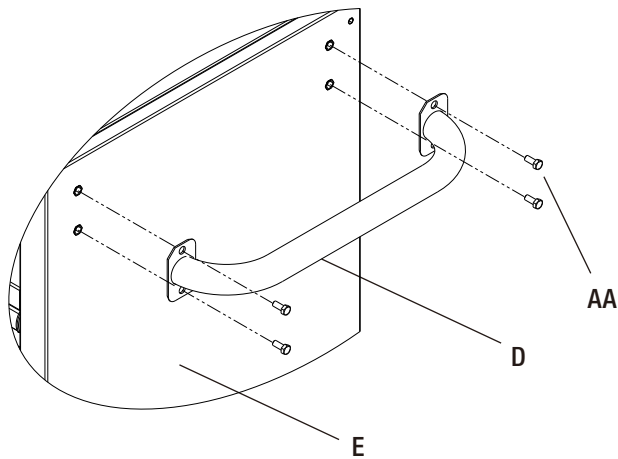
Assembly

1 Attaching the side handle

- Attach the side handle (D) to the rolling cabinet (E) using four bolts (AA).



NOTE: The holes in the cabinet are tapped and do not require nuts.

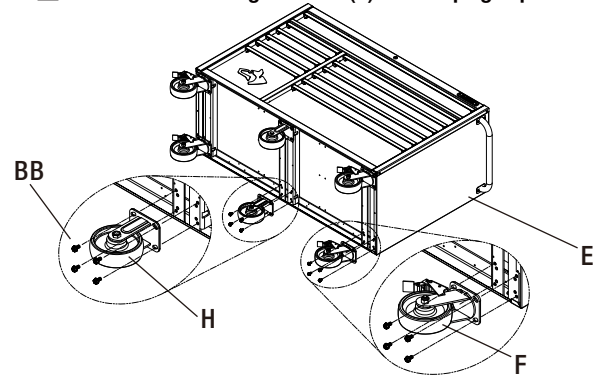


2 Installing the casters



CAUTION: Do not over tighten the screws.

- Ensure all cabinet drawers are securely locked into place using the key lock on the rolling cabinet (E).
- Lay the rolling cabinet (E) on its back. Use the packaging material to protect the finish.
- Mount the four swivel casters with brake (F) to the rolling cabinet (E) using four bolts (BB) per caster. The swivel casters with brake (F) should be installed on each end at the cabinet.
- Mount the two regular casters (H) to the center of the rolling cabinet (E) using four bolts (BB) per caster.
- Tighten all bolts with a wrench.
- Return the rolling cabinet (E) to its upright position.

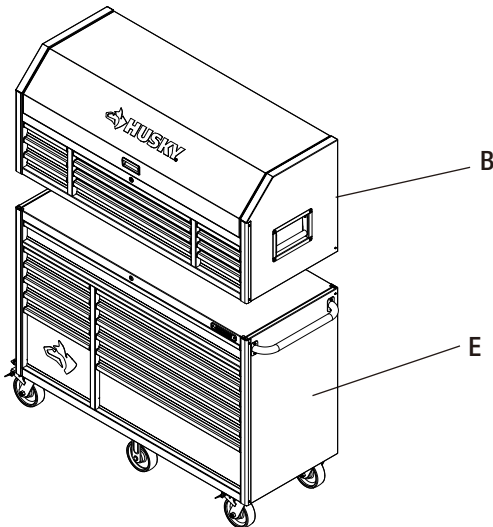


3 Placing the chest



NOTE: Two people may be required to complete this step.

- Place the top chest (B) on top of the rolling cabinet (E).

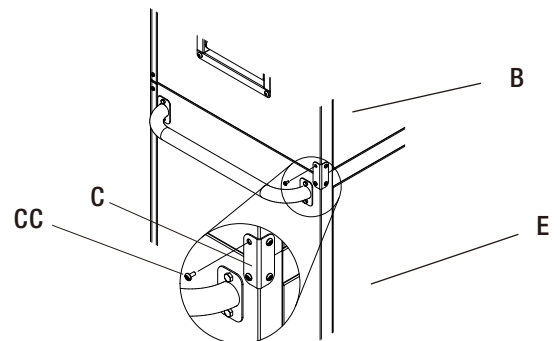


4 Installing the brackets



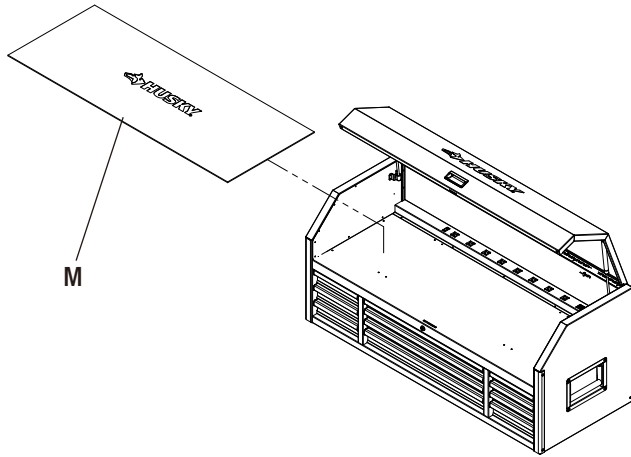
NOTE: The holes in the cabinet are tapped and do not require nuts.

- Attach the brackets (C) to the back of the product to secure the top chest (B) to the rolling cabinet (E). Place the brackets over the holes and secure with four screws (CC) per bracket.
- Tighten all screws securely with a screwdriver.



5 Installing the drawer liner

- Place the drawer liners (M) in appropriately sized drawers and the chest lid area to protect the surface.



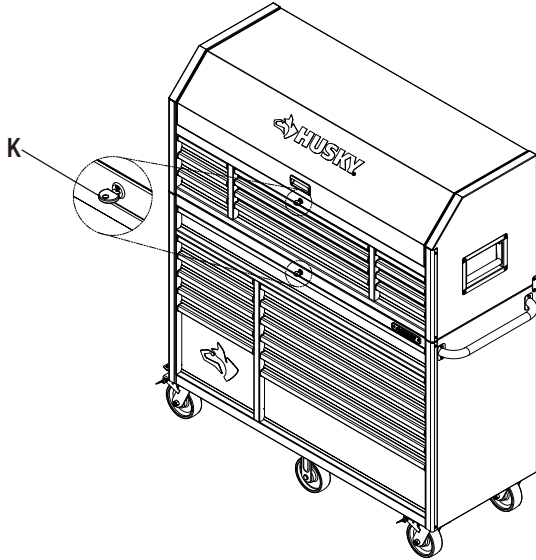
Operation

1 Locking and unlocking the unit



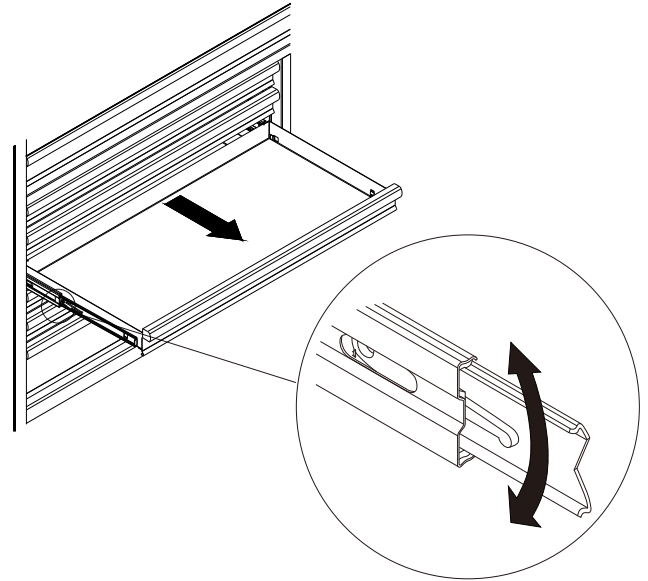
IMPORTANT: The drawers must be fully closed before locking / unlocking the unit.

- Insert the key (K) and turn it fully to the left to lock.
- Remove the key (K).
- Insert the key (K) and turn it fully to the right to unlock.
- Remove the key (K).



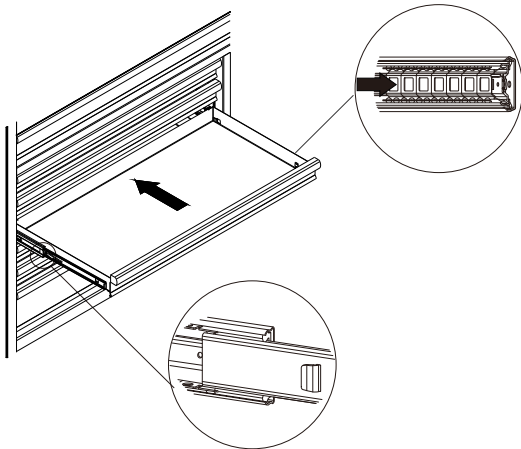
2 Removing the drawers

- Fully extend and empty the drawer.
- Depending on the slide, either lift or lower the release lever on both sides so the slides can ride over the stops. Pull out to remove.



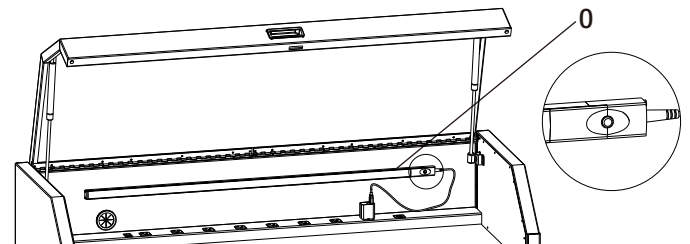
3 Installing the drawers

- Pull the slides and slide carrier out until fully extended.
- Hold the slide on the cabinet while aligning it with the slide on the drawer.
- Slightly insert one side and repeat for the other side.
- Slowly push the drawer until it is fully closed to engage the slide.
- Open the drawer and close it to verify proper operation.



4 Installing the LED work light

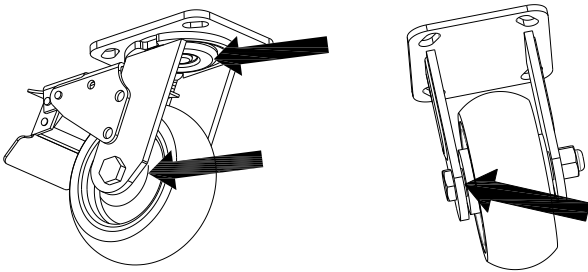
- Connect the USB wire with the adapter.
- Plug in the magnetic LED work light (O) on tool chest for extra light.
- Press the button on the LED light to turn the light on for use.



Maintenance

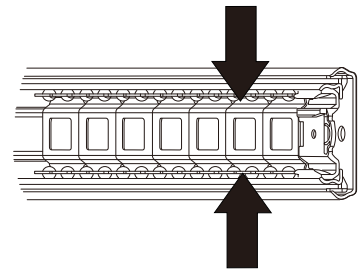
1 Maintaining the casters

- Grease the casters annually using high quality bearing grease.



2 Maintaining the drawers

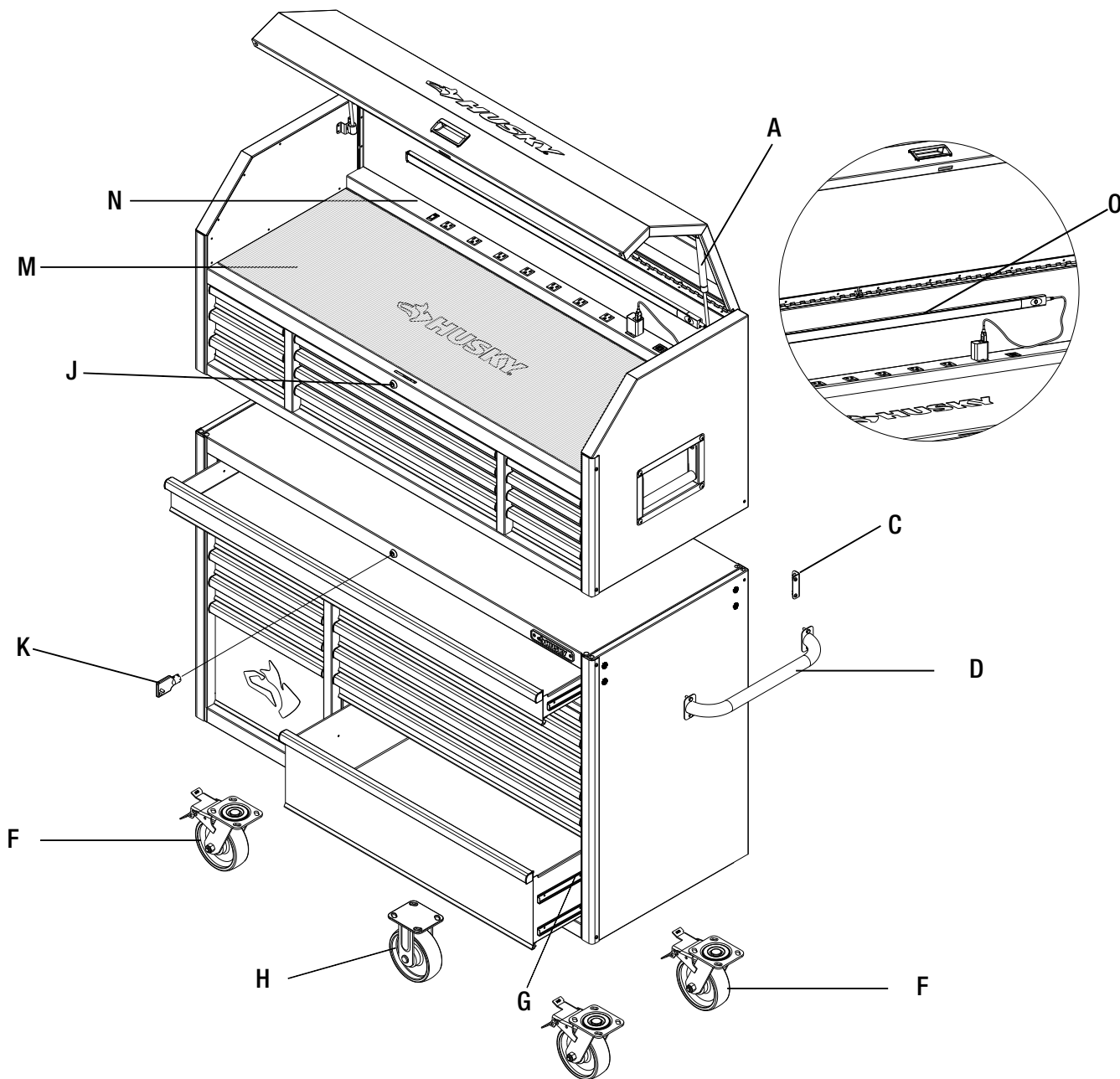
- Periodically clean the drawer trim, and inside the drawers with a mild detergent and water.
- Remove grease and oil with a standard, nonflammable cleaning fluid.
- The use of drawer liners is recommended to protect the finish inside the drawers and make the drawers easier to clean. Drawer liners can be purchased at The Home Depot and can be cleaned with soap and water.
- Lubricate the slides semi-annually with grease or equivalent.



Care and Cleaning

- This steel product has been coated with industrial powder coating for a durable finish.
- To help protect the powder coated finish, do not allow harsh chemicals (oil, grease, or other chemical) to remain on the powder coating surface.
- Use a glass cleaner (Windex® or equivalent product) to clean and maintain all surfaces of powder coating.

Service Parts



Part	Description	Quantity
A	Gas lift	2
C	Bracket	2
D	Side handle	1
F	Swivel caster with brake	4
G	Drawer slide (pair)	25
H	Regular caster	2
J	Lock	2
K	Key (set)	2
M	Drawer Liner	24
N	8-outlet power strip	1
O	Portable LED working light	1



Questions, problems, missing parts? Before returning to the store, call
Husky Customer Service
8 a.m. - 7 p.m., EST, Monday-Friday, 9 a.m. – 6 p.m., EST, Saturday

1-888-HD-HUSKY

HUSKYTOOLS.COM

Retain this manual for future use.



SKU Núm. 1002 877 771
SKU Núm. 1006 988 303
THD.com Núm. 1002 812 663
SKU/THD.com Núm. 1005 514 368
Núm. de modelo: HOTC5623BB2S
Núm. de modelo: HOTC5623BL2S

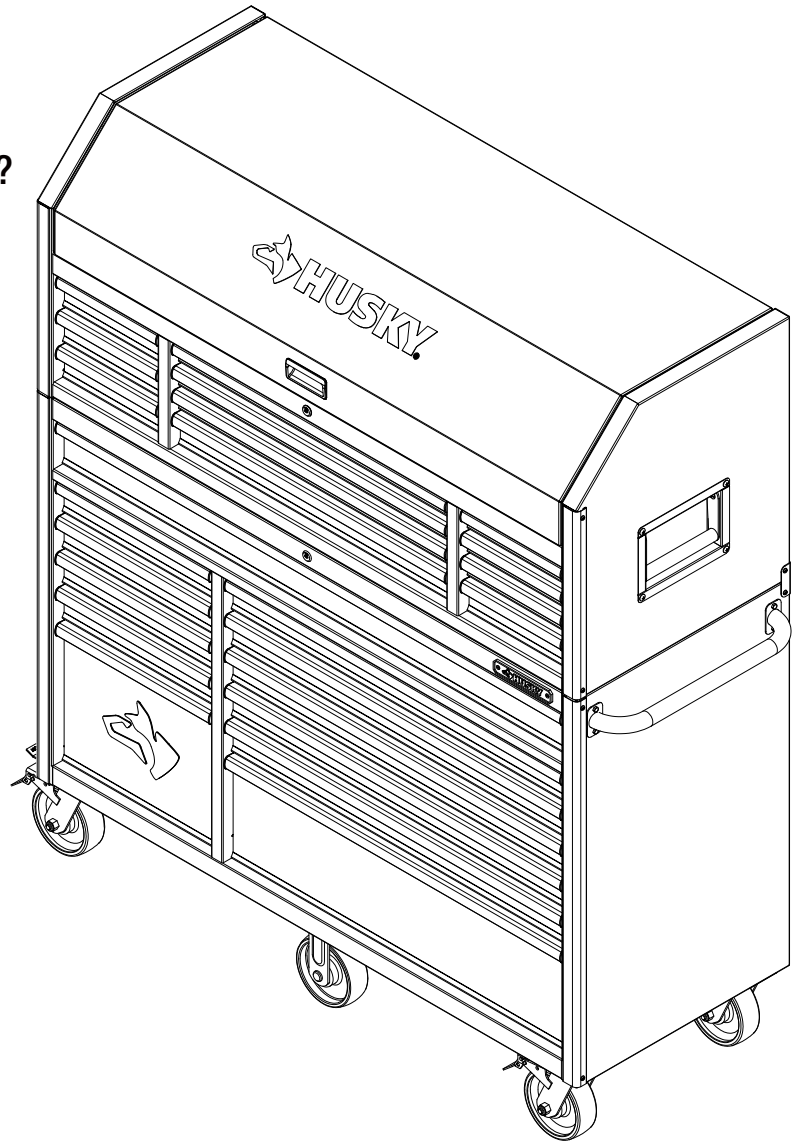
GUÍA DE USO Y MANTENIMIENTO

JUEGO DE CAJA DE HERRAMIENTAS Y GABINETE HEAVY DUTY DE 23 CAJONES, 1.4 M

¿Preguntas, problemas o piezas faltantes?
Antes de devolver a la tienda,
llama al servicio al cliente de Husky
de lunes a viernes entre 8:00 a.m.
y 7:00 p.m., (hora del Este de EE. UU.)
sábados entre 9:00 a.m. y 6:00 p.m.
(hora estándar del Este)

por el teléfono 1-888-HD-HUSKY

HUSKYTOOLS.COM



GRACIAS POR TU COMPRA

Apreciamos la confianza que has depositado en Husky al comprar este caja para herramientas/gabinete. Nos esforzamos continuamente para crear productos de calidad diseñados para mejorar tu hogar. Visítanos por Internet para ver nuestra línea completa de productos disponibles con vistas a las necesidades de mejoras de tu hogar. ¡Gracias por elegir Husky!

Tabla de contenido

Tabla de contenido	2	Ensamblaje	6
Información de seguridad	2 - 3	Funcionamiento.....	8
Garantía	3	Mantenimiento	9
Preensamblaje	4	Cuidado y limpieza	9
Herramientas necesarias	4	Piezas de repuesto	10
Herrajes incluidos.....	4		
Especificaciones	4		
Contenido del paquete	5		

Información de seguridad

1. No abras más de un cajón a la vez.
2. Mantén a los niños lejos del gabinete / caja de herramientas, barra multicontacto y luz de trabajo LED.
3. Para evitar que el producto se caiga, coloca los artículos comenzando por los cajones inferiores.
4. Mantén bloqueados los frenos de las ruedas excepto si vas a mover el gabinete. Esto ayudará a evitar que el producto ruede.
5. Cierra con seguro la tapa y los cajones antes de mover el baúl o gabinete.
6. No te pares sobre ningún cajón o cajones.
7. Cuando vayas a mover este producto, empújalo en lugar de halarlo.
8. No modifiques este producto de ninguna manera. La prohibición incluye la barra multicontacto y la luz de trabajo LED.

Seguridad con enchufes y tomacorrientes



ADVERTENCIA: Este producto es para usar en circuitos nominales de 120 V y tiene un enchufe con conexión a tierra. Los enchufes de la caja para herramientas/gabinete tienen que coincidir con el tomacorriente. No intentes modificar el enchufe de ninguna forma. No usar ningún enchufe adaptador con barras multicontacto de cajas para herramientas/gabinetes que tengan conexión a tierra. Enchufes sin modificaciones y tomacorrientes adecuados reducen el riesgo de descarga eléctrica.



ADVERTENCIA: Evita el contacto físico con las superficies conectadas a tierra como tuberías, radiadores, estufas y refrigeradores. Existe mayor riesgo de descarga eléctrica si tu cuerpo hace tierra.



PELIGRO: No te pares sobre este producto. Puedes caerte o provocar que el producto se vuelque.



PELIGRO: No muevas el producto antes de cerrar y asegurar todos los cajones. Los cajones pueden abrirse y provocar que el producto quede inestable y se vuelque.



PELIGRO: Para reducir el riesgo de descargas eléctricas, siempre desenchufa este aparato del tomacorriente antes de limpiar.



ADVERTENCIA: Mantén el producto sobre una superficie nivelada. El producto puede volverse inestable y volcarse si se almacena o mueve sobre una superficie desnivelada.



ADVERTENCIA: Ten cuidado al cerrar la cubierta. Retira las manos antes de cerrar la cubierta.



ADVERTENCIA: No tires del cable para desconectar. Para desconectar, agarra el enchufe, no el cable.



PRECAUCIÓN: No levantes este producto directamente con un montacargas o lo remolques con ningún dispositivo mecánico.



PRECAUCIÓN: No sobrepases el peso máximo permitido para el producto, incluyendo el contenido. No sobrepases el peso máximo para cada cajón. Consulta las especificaciones en la página 4.



PRECAUCIÓN: Transporta este producto sólo cuando esté vacío. Asegúralo debidamente cuando vayas a transportarlo.



ADVERTENCIA: Desenchufa del tomacorriente cuando no estén en uso y antes de poner o sacar piezas.



ADVERTENCIA: Mantener el cable lejos de superficies calientes.



ADVERTENCIA: No usar en exteriores.



ADVERTENCIA: El artefacto está diseñado para uso doméstico.



PELIGRO: No montes este producto en la cama de un camión o sobre cualquier otro objeto en movimiento.

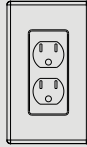


ADVERTENCIA: Al colocar objetos, pon los más pesados en la parte inferior y alejados de la parte superior para evitar que el artefacto se vuelque.

Información de seguridad(continuación)



ADVERTENCIA: Las cajas para herramientas/gabinetes etiquetadas con "Grounding Required" (requiere conexión a tierra) tienen una barra multicontacto con un cordón de tres cables y un enchufe de conexión a tierra de tres espigas. El enchufe debe conectarse adecuadamente a un tomacorrientes con conexión a tierra (ver figura). Si la barra multicontacto tiene un problema eléctrico o se daña, la conexión a tierra proporciona un camino de baja resistencia para alejar la electricidad del usuario, reduciendo el riesgo de descarga eléctrica. La espiga de conexión a tierra está conectada al sistema de conexión a tierra a través del cable verde dentro del cordón de la barra multicontacto. El cable verde en el cordón debe ser el único cable conectado al sistema de conexión a tierra de la barra multicontacto y nunca debe conectarse a un terminal con corriente eléctrica con carga. Tu barra multicontacto debe ser conectada en un tomacorriente apropiado, que esté {MQ}debidamente instalado y conectado a tierra de acuerdo con las leyes y regulaciones.



PRECAUCIÓN: No usar el asa lateral como palanca para levantar la unidad. El asa no está concebida para soportar la fuerza vertical aplicada al levantarse. El asa sólo está diseñada desplazar la unidad con ayuda de las ruedas. Ignorar esta indicación puede causar que el asa se rompa y cause daños personales y/o al producto.

Seguridad de la luz de trabajo LED

- Para reducir el riesgo de lesiones, es necesario vigilar atentamente el uso del producto si hay niños cerca.
- No entres en contacto con las piezas calientes.
- Usa sólo accesorios recomendados o vendidos por el fabricante.
- Para reducir el riesgo de descarga eléctrica, no expongas el producto al agua u otro líquido. No coloques ni guardes el producto donde pueda caerse o ser arrojado a una bañera o lavabo.



ADVERTENCIA: Usar solo con luminaria con transformador (incluido) con entrada nominal de 100-200 V CA, 50/60 Hz, 0.5A máx y salida de 5 V CC, 2.4 A.

Garantía

El fabricante garantiza que este producto no presentará defectos materiales ni de fabricación durante cinco (5) años a partir de la fecha original de compra. Esta garantía es válida solo para el consumidor original y cubre solo productos en uso y servicio normales. Si se detecta algún defecto en este producto, la única obligación y solución exclusiva del fabricante, a su entera discreción, será reparar o reponer el producto, siempre y cuando el producto no haya sido dañado por mal uso, abuso, accidente, modificaciones, alteraciones, negligencia o manejo indebido. Esta garantía no cubre ningún producto instalado, configurado o usado sin seguir las instrucciones adjuntas. Esta garantía no cubre fallas del producto como consecuencia de un accidente, mal uso, abuso, negligencia, modificaciones o instalaciones defectuosas, ni cualquier otra falla no relacionada con defectos materiales o de fabricación. Esta garantía no se aplica al acabado de ninguna parte del producto, como la superficie, ni al deterioro por condiciones ambientales, ya que se considera desgaste normal.

El fabricante no garantiza y rechaza específicamente cualquier garantía, explícita o implícita, de la idoneidad del producto para un propósito en particular, que no sea la garantía establecida por este medio. El fabricante rechaza específicamente cualquier obligación y no será responsable por ningún daño o pérdida, directos o indirectos, incluyendo, pero sin limitarse a, cualquier costo de mano de obra/gastos relacionados con la reposición o reparación de dicho producto.

Comuníquese con el equipo de servicio al cliente por el 1-888-HD-HUSKY o visite www.huskytools.com.



PRECAUCIÓN: Esta luz de trabajo está diseñada para usar solo en interiores. No usarla en ambientes húmedos (como baños o exteriores). De hacerlo los componentes internos podrían entrar en corto circuito y provocar accidentes.



ADVERTENCIA: No permitas que el producto caiga de cierta altura.

Este dispositivo cumple con la Parte 15 de las Regulaciones de la FCC. Su operación está sujeta a las dos condiciones siguientes: (1) Este dispositivo no debe causar interferencia dañina, y (2) tiene que aceptar cualquier interferencia recibida, incluyendo aquella que pudiera afectar su funcionamiento.



NOTA: Este equipo fue sometido a prueba y se determinó que cumple con los límites establecidos para un dispositivo digital Clase B según la Parte 15 de las Normas FCC. Estos límites fueron establecidos para dar protección razonable contra la interferencia dañina en uso residencial. Este equipo genera, consume y puede irradiar energía de radiofrecuencia; si no se instala y usa de acuerdo con las instrucciones, puede causar interferencia dañina a comunicaciones radiales. Sin embargo, no hay garantía de que no ocurrirá interferencia en una instalación particular. Si este equipo causa interferencia perjudicial a la recepción de radio o televisión, que puede determinarse encendiendo y apagando el equipo, se recomienda al usuario tratar de corregir la interferencia con una o más de las siguientes medidas:

- Reorientar o reubicar la antena receptora.
- Incrementar la distancia entre los equipos y el receptor.
- Conectar el equipo a un tomacorriente en un circuito distinto al que el receptor está conectado.
- Consultar al distribuidor o algún técnico de radio/TV con experiencia.



ADVERTENCIA: Los cambios o modificaciones a esta unidad sin aprobación expresa de la parte responsable del cumplimiento de las normas aplicables podrían anular el derecho del usuario a operar el equipo.

La información de la parte responsable:

Clearwater Metal Vn JSC
Lot CN2, Mai Trung IZ, An Tay Village, Ben Cat Town, Binh Duong Province, Vietnam. Tel: +84.274.3581.773
Nombre del producto: Barra multicontacto con 8 tomacorrientes y 2 puertos USB
Modelo # K2415010

Pre ensamblaje

HERRAMIENTAS NECESARIAS



Destornillador
Phillips



Gafas
de seguridad



Llave de
10 mm

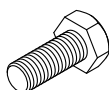


Llave de
13 mm

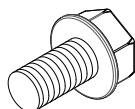
HERRAJES INCLUIDOS



NOTA: Los herrajes no se muestran en tamaño real.



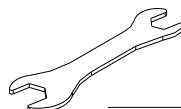
AA



BB



CC



DD

Pieza	Descripción	Cantidad
AA	Perno M6x15L	4
BB	Perno M8x15L	24
CC	Tornillo M4x10L	8
DD	Llave de 10 mm/13 mm	1

ESPECIFICACIONES

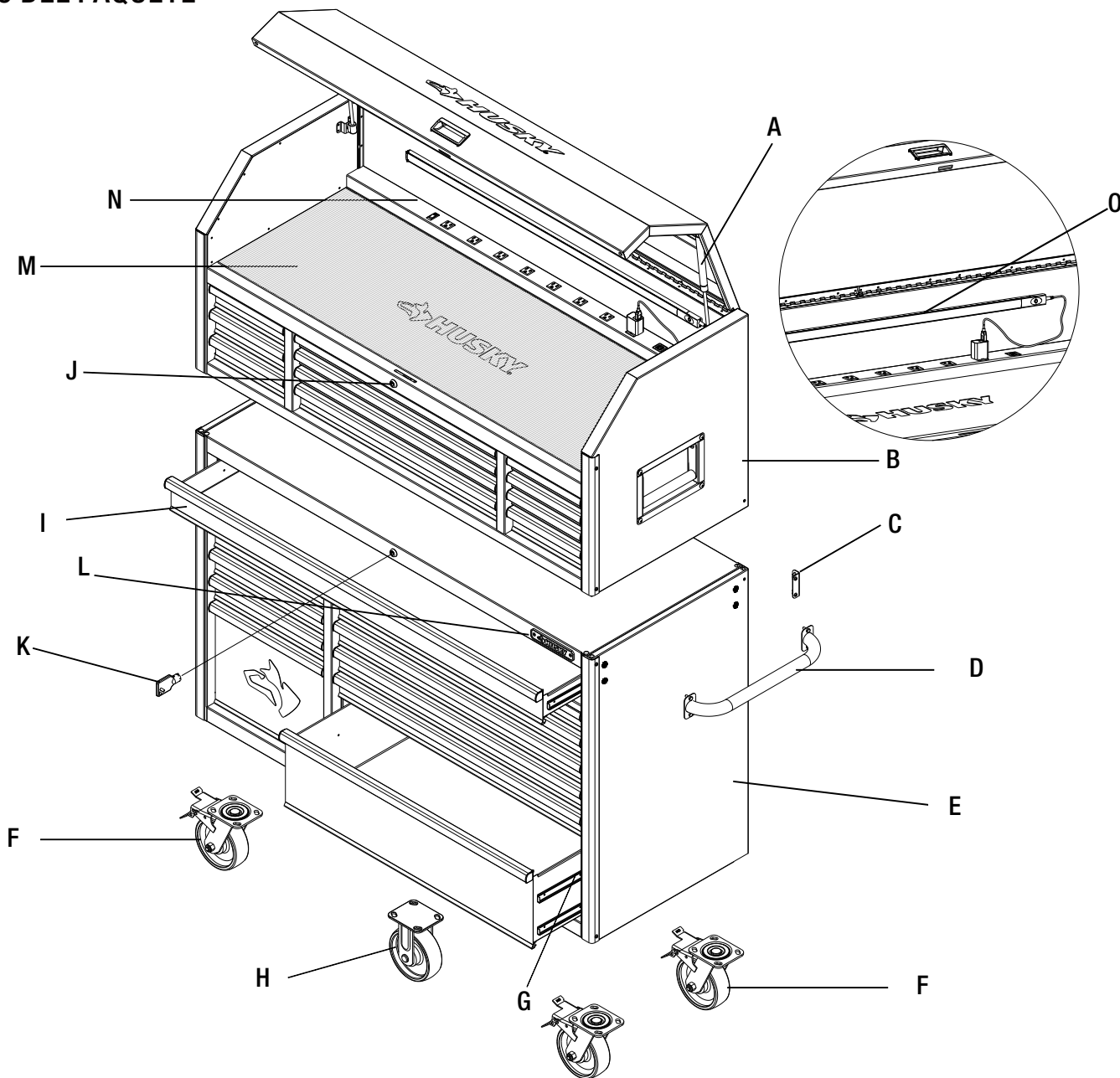
Capacidad máxima (cajón del baúl)	544.2 kg
Capacidad máxima (cajón del gabinete)	816.3 kg
Peso cuando está vacío	283 kg



NOTA: Comienza el ensamblaje del producto cerca de la ubicación deseada de tu caja de herramientas/gabinete. Este producto es pesado y puede ser difícil de mover después del ensamblaje.

Pre ensamblaje (continuación)

CONTENIDO DEL PAQUETE



Pieza	Descripción	Cantidad
A	Alzador neumático	2
B	Baúl superior	1
C	Soporte	2
D	Asa lateral	1
E	Gabinete con ruedas	1
F	Rueda giratoria con freno	4
G	Corredera del cajón (un par)	25

Pieza	Descripción	Cantidad
H	Rueda regular	2
I	Cajón	23
J	Cerradura	2
K	Llave (juego)	2
L	Placa de Husky	1
M	Revestimiento de cajones	24
N	Barra multicontacto de 8 tomas	1
O	Luz de trabajo LED portátil	1

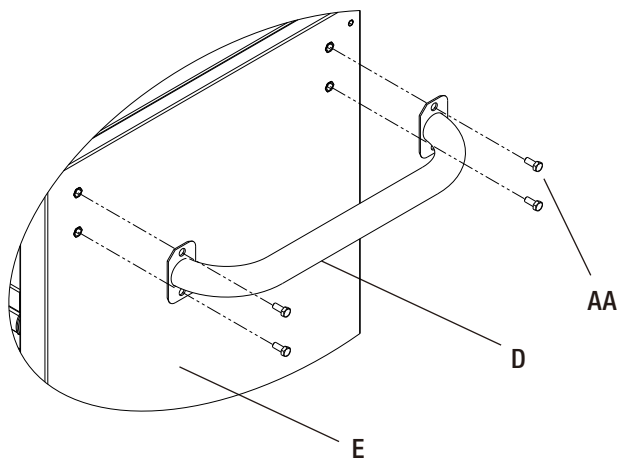
Ensamblaje

1 Cómo colocar el asa lateral

- Instala el asa lateral (D) al gabinete con ruedas (E) usando cuatro pernos (AA).



NOTA: Los orificios en el gabinete están roscados y no necesitan tuercas.

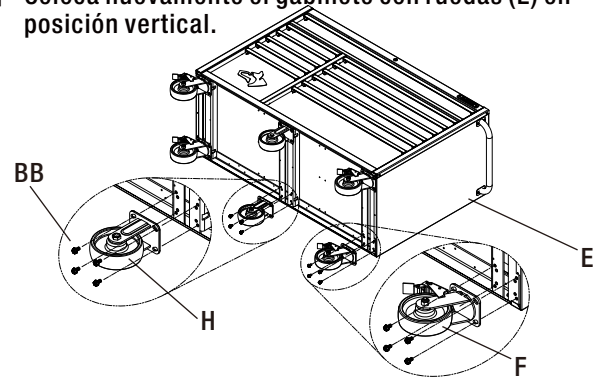


2 Cómo instalar las ruedas



PRECAUCIÓN: No aprietes demasiado los tornillos.

- Asegúrate de que todos los cajones del gabinete estén firmemente cerrados en su lugar, usando la cerradura con llave del gabinete con ruedas (E).
- Acuesta el gabinete con ruedas (E) sobre su parte trasera. Usa el material del empaque para proteger el acabado.
- Instala las cuatro ruedas giratorias con freno (F) en el gabinete con ruedas (E) usando cuatro pernos (BB) por rueda. Las ruedas giratorias con freno (F) deben instalarse en cada extremo del gabinete.
- Instala las dos ruedas regulares (H) en el centro del gabinete con ruedas (E) usando cuatro pernos (BB) por cada rueda.
- Aprieta todos los pernos con una llave.
- Coloca nuevamente el gabinete con ruedas (E) en posición vertical.

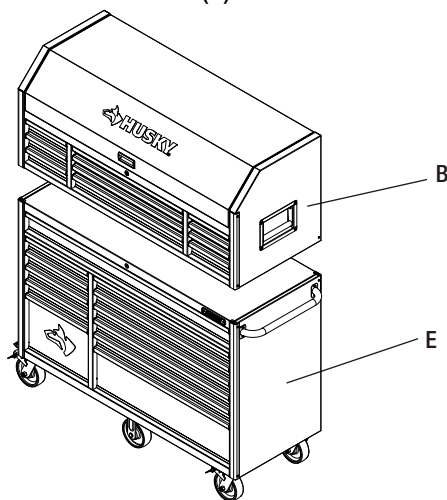


3 Cómo colocar la caja para herramientas



NOTA: Pueden necesitarse dos personas para completar este paso.

- Coloca la caja superior (B) en la parte superior del gabinete con ruedas (E).

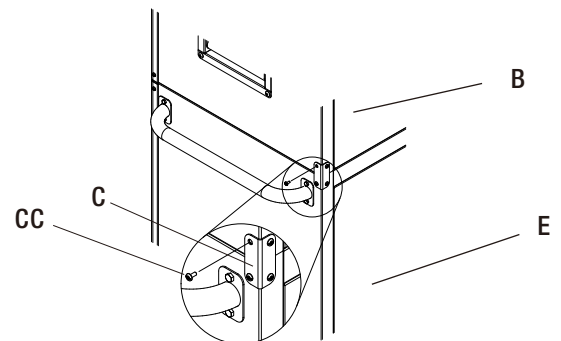


4 Cómo instalar los soportes



NOTA: Los orificios en el gabinete están roscados y no necesitan tuercas.

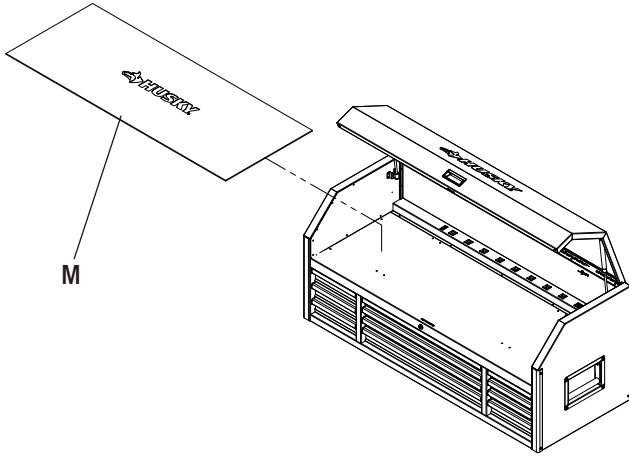
- Fija los soportes (C) en la parte posterior del producto para asegurar el baúl superior (B) al gabinete con ruedas (E). Coloca los soportes sobre los orificios y asegúralos con cuatro tornillos (CC) por cada soporte.
- Aprieta firmemente todos los tornillos con un destornillador.



Ensamblaje (continuación)

5 Cómo instalar el revestimiento de los cajones

- Coloca los revestimientos de los cajones (M) en los cajones de tamaño adecuado y el área de la tapa de la caja para herramientas para proteger la superficie.



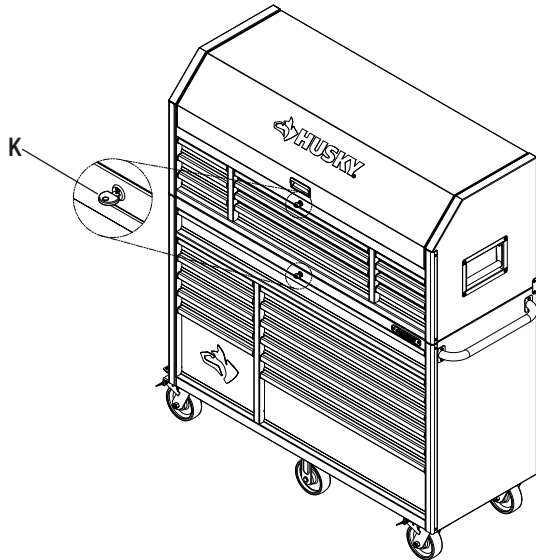
Operación

1 Cómo cerrar y abrir la unidad



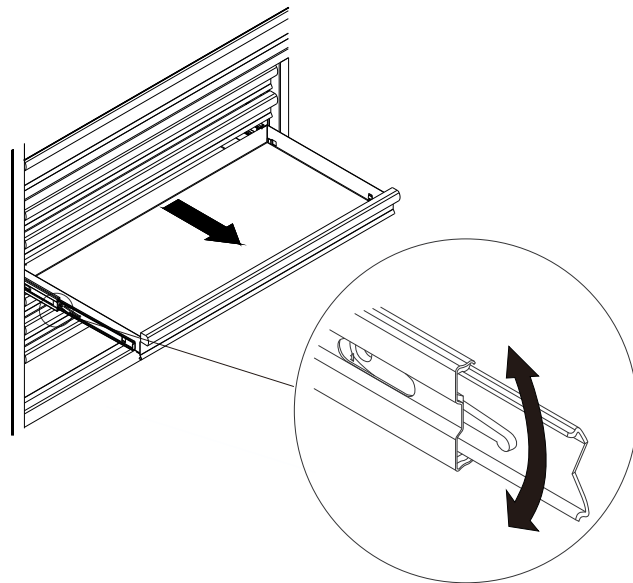
IMPORTANTE : Los cajones deben estar completamente cerrados antes de cerrar o abrir la unidad.

- Inserta la llave (K) y gírala completamente hacia la izquierda para cerrar.
- Retira la llave (K).
- Inserta la llave (K) y gírala completamente hacia la derecha para abrir.
- Retira la llave (K).



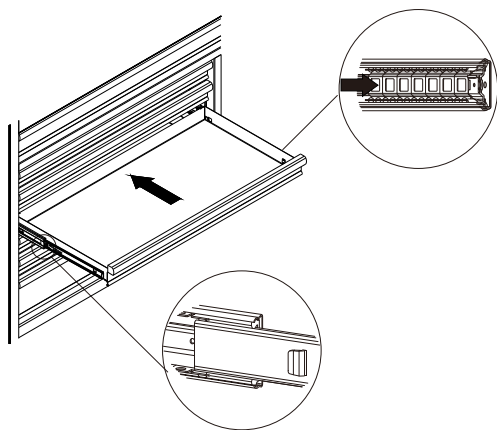
2 Cómo quitar los cajones

- Extiende completamente el cajón y vacíalo.
- Dependiendo de la corredera, levanta o baja la palanca de liberación en ambos lados para que aquellas pasen por encima de los topes. Hala hacia afuera para retirar.



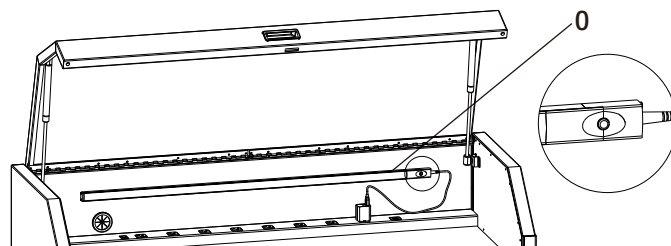
3 Cómo instalar los cajones

- Hala las correderas y el sujetador de ellas hacia afuera hasta que queden completamente extendidos.
- Sostén la corredera sobre el gabinete al alinearla con la corredera en el cajón.
- Inserta levemente por un lado y repite la acción para el otro lado.
- Empuja lentamente el cajón hasta que esté completamente cerrado y enganche en la corredera.
- Abre el cajón y ciérralo para verificar que funciona bien.



4 Cómo instalar la luz de trabajo LED portátil

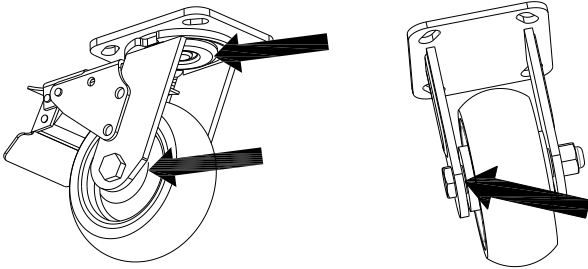
- Conectar el cable USB al adaptador.
- Conectar la luz de trabajo LED magnética (0) en la caja de herramientas para iluminación adicional.
- Presionar el botón en la luz LED para encenderla para su uso.



Mantenimiento

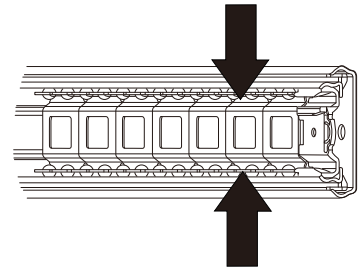
1 Cómo dar mantenimiento a las ruedas

- Engrasa las ruedas anualmente usando grasa de alta calidad para cojinetes de bola



2 Cómo dar mantenimiento a los cajones

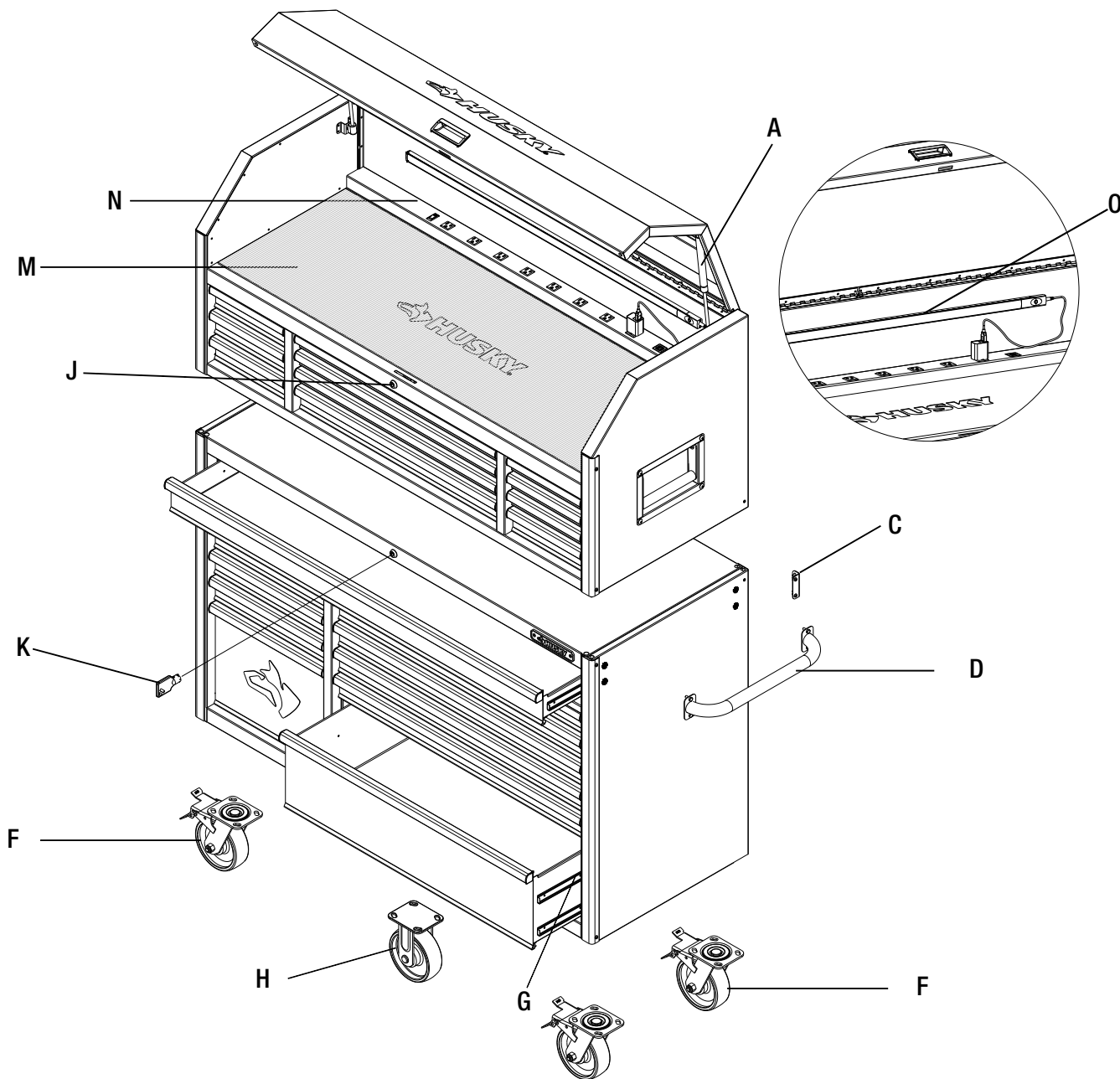
- Limpia periódicamente la moldura del cajón, y dentro de los cajones con un detergente suave y agua.
- Quita la grasa y el aceite con un líquido estándar para limpiar, no inflamable.
- Se recomienda usar revestimientos de cajones para proteger el acabado dentro de ellos y facilitar su limpieza. Los revestimientos de cajones pueden comprarse en The Home Depot, y limpiarse con agua y jabón.
- Lubrica las correderas de los cajones dos veces al año con grasa o equivalente.



Cuidado y limpieza

- Este producto de acero ha sido revestido con cubierta granular industrial para un acabado duradero.
- Para ayudar a proteger el acabado de cubierta granular, no permitas que haya químicos fuertes (aceite, grasa u otro químico) en la superficie de la cubierta granular.
- Usa un limpiador para vidrio (Windex® o producto equivalente) para limpiar y dar mantenimiento a todas las superficies de cubierta granular.

Piezas de repuesto



Pieza	Descripción	Cantidad
A	Alzador neumático	2
C	Soporte	2
D	Asa lateral	1
F	Rueda giratoria con freno	4
G	Corredera del cajón (un par)	25
H	Rueda regular	2
J	Cerradura	2
K	Llave (juego)	2
M	Revestimiento de cajones	24
N	Barra multicontacto de 8 tomas	1
O	Luz de trabajo LED portátil	1



¿Preguntas, problemas o piezas faltantes? Antes de devolver a la tienda, llama al Servicio al cliente de Husky,

**de lunes a viernes, entre 8:00 a.m. y 7:00 p.m. (hora estándar del Este),
y los sábados de 9:00 a.m. a 6:00 p.m. (hora estándar del Este).**

por el teléfono 1-888-HD-HUSKY

HUSKYTOOLS.COM

Conserva este manual para uso en el futuro.