

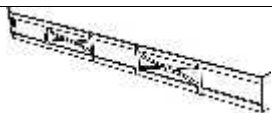

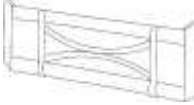







## Assembly Instruction

1. Identify all parts packed in carton against the part list. Remove all protective material carefully and avoid cutting the surface of the furniture while removing the wrapped material.
2. Turn the table top to turn it upside down on a non-abrasive ,flat surface .Take off the plastic cap from the screws which are underneath the table top , attach all legs with flat washers,lock washers and nuts. Don't tighten at this time.
3. Take off the plastic cap from the screw inside the leg, then loosely attach the table attachment to the legs with flat washer and nut .Progressively tighten all the nuts on the base until secure .
4. Turn the table on its legs , then adjust foot plug to level table.



| Parts   | Description      | Quantity | Parts   | Description | Quantity |
|---|------------------|----------|---|-------------|----------|
|  | Table top        | 1        |  | Nut         | 6        |
|  | Long Attachment  | 2        |  | Flat Washer | 18       |
|  | Short Attachment | 2        |  | Lock Washer | 18       |
|  | Leg              | 4        |  | Mid Leg     | 2        |
|  | Bolt             | 6        |  | Screw       | 4        |

Warning: Do not force components and overtighten the nuts during assembly.  
Don't touch the leg when you turn the table top upside down.