



Solar Motion Security LED Light

EM-SL700B

Introduction.

We congratulate you on the purchase of your LED Solar Sensor Light. You have chosen a high quality product. Before using your LED Solar Sensor Light, please familiarize yourself with the instructions and safety information below. Only use the product as described and for the specified applications.

This product is intended to illuminate outdoor areas for private use and is not suitable for commercial use or for use in other applications.

Technical Data

Material: Aluminum + PC+ABS

LED Type: 10*3030

Battery: 7.4V, 1800mA (included)

Solar Panel 12V 300mA 3.5W, size 5.9*7.9in

Motion sensor angle: 140°

Detection range: approx. 26.2ft -39.4ft

Time setting: approx. 3seconds to 7min (+/-10%)

Lumen: 700LM (+/-10%)

Protection type: IP44 (splash-proof)

General safety instructions.

1. Children should not be allowed to play with the product. Cleaning and user maintenance should not be performed by children without adult supervision.
2. Never leave children unsupervised with the packaging material. The packaging material represents a danger of suffocation.
3. Do not use this product if you notice any damage
4. The illuminants are not replaceable. If the illuminants fail, the entire product must be replaced

Function

The LED light will switch on during twilight or darkness when the motion detector detects infrared radiation given off by people passing by.

User can turn the control knob TIME to adjust the duration of the illumination from approx. 3 seconds to 7 minutes (+/-10%).


User can turn the control knob LUX to adjust the daylight level at which to activate the motion detector.


Note: Once the light is activated by the motion detector, any subsequent detection will restart the timed period again from the beginning.

Note: The motion detector responds to heat radiation. When outdoor temperatures are low, it is more

sensitive to body heat than when outdoor temperatures are warm.

Note: If the light is not activating in nighttime, a street light, house light or other ambient light could be

affecting activation. Turn the control knob LUX towards position  to increase the daylight level. If the

light is unnecessarily activating in daytime, turn the control LUX towards position  to decrease the daylight level.

Note: Regularly clean the motion detector to ensure proper functionality (refer to "Cleaning and Care").

Installation

When selecting the exterior mounting location, pay attention to the following:



Note: The included mounting material is suitable for solid concrete or masonry construction. Other wall substrates may require additional fastening materials.

Note: An electric drill is required.

CAUTION! RISK OF INJURY! Please read the operating instructions for your drill.

CAUTION! Ensure that you do not damage any electrical cables in the wall or ceiling.

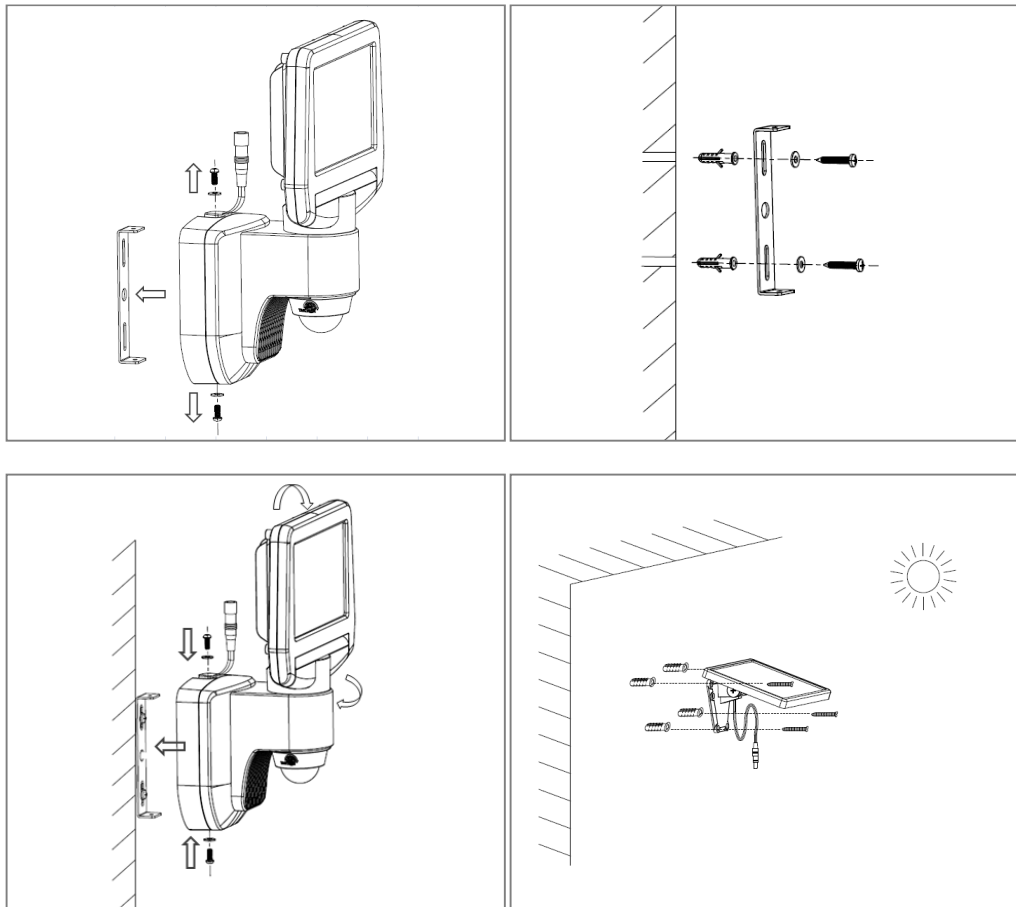
LED light installation

1. To choose the mounting location, make sure the LED light illuminates the desired area and that the LED Solar Sensor Light will not be directly exposed to rain.
2. Depending on the mounting height (roughly at 6.5ft) the motion detector has a detection range of max. 39.4ft with a detection angle of 140°.
3. Be sure the motion detector is not illuminated by street lighting at night. This can influence the motion sensor.
4. Loosen the two screws on the back of main unit to release the mounting plate.
5. Use the holes on the mounting plate intended for the screws to mark the positions for drilling.
6. Drill two holes in the mounting location, insert wall plugs and fix the mounting plate with screws.
7. Fit the main unit onto the plate by screws.
8. Rotate and adjust the LED light to illuminate the desired area.
9. Turn the control knob TIME to adjust the duration of the illumination. The lighting duration can be adjusted from approx. 3 seconds to 7 minutes (+/-10%).
10. Turn the control knob LUX to adjust the daylight level: At the position , the motion detector only reacts at night. In the position , the motion detector also responds at daylight levels.

Solar panel installation

1. To choose the mounting location, make sure the solar panel has direct and opulent sunshine and that the LED Solar Sensor Light will not be directly exposed to rain.
2. Use the holes on the mounting plate of solar panel intended for the screws to mark the positions for drilling.
3. Drill four holes in the mounting location, insert wall plugs and fix the solar panel with screws.
4. Rotate and adjust the solar panel to a position for direct sunlight.
5. Connect the solar panel and LED light by plugs on their cables.

6. After initial installation, the product needs about 2 days for charging under direct and opulent sunlight, before it can operate normally.



Cleaning and Care

Use a slightly dampened, lint-free cloth and mild cleaning agent to clean.

Regularly check the motion detector for dirt.

Regularly clean the motion detector to ensure proper functionality

Troubleshooting

Problem	Cause	Solution
The light does not switch on during nighttime	Motion detector is dirty	Clean motion detector
	LUX control is not properly set	Turn LUX control to increase LUX level.
	Batteries are drained	Charge under direct sunlight
The light switches on during daytime	LUX control is not properly set	Turn LUX control to decrease LUX level
The light is dim	Batteries are almost drained	Charge under direct sunlight
The light flickers	Batteries are almost drained	Charge under direct sunlight

Disposal

The packaging is made entirely of recyclable materials, which you may dispose of at local recycling facilities.

To help protect the environment, please dispose of the product properly when it has reached the end of its useful life and not in the household waste. Information on collection points and their opening hours can be obtained from your local authority.

Batteries may not be disposed of with the usual domestic waste. They may contain toxic heavy metals and are subject to hazardous waste treatment rules and regulations.

Made in China

Imported by Paragon Group USA

Englewood, NJ 07631 USA

1.888.783.6082