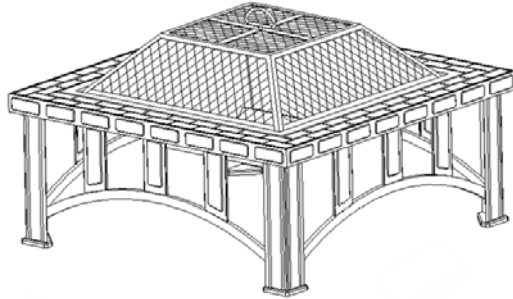




5502 30" Slate Fire Pit



PLEASE READ

Thank you for purchasing this quality product. A list of **PARTS** and **INSTRUCTIONS** are included to assist you. Unpack and identify all parts included on the **PARTS LIST** and **HARDWARE LIST**. If parts are missing, please do not return the item to the store.

Contact our **CUSTOMER SERVICE DEPARTMENT AT:**

PHONE: 888-673-9080
FAX: 417-673-9081

EMAIL: service@americanfurnitureclassics.com

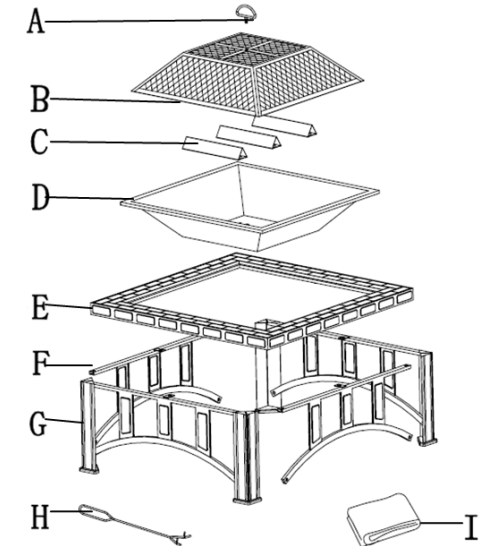
To expedite service, please indicate the model and part number (letter /number code) of the part(s) needed

Assembly Instructions 30" Slate Fire Pit

Please check the carton and packing materials before disposing to make sure that you have all the parts for this product

Part List

Part No.	Description	Qty
A	Handle	1
B	Mesh wire cover	1
C	Wood grate	3
D	Fire bowl	1
E	Slate top	1
F	Leg A	2
G	Leg B	2
H	Poker	1
I	PVC cover	1

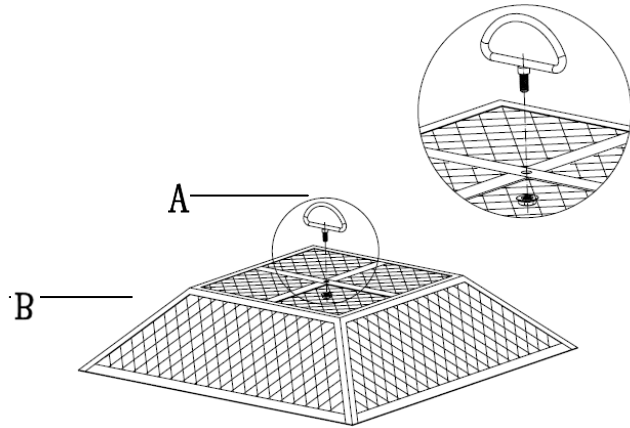


Hard ware

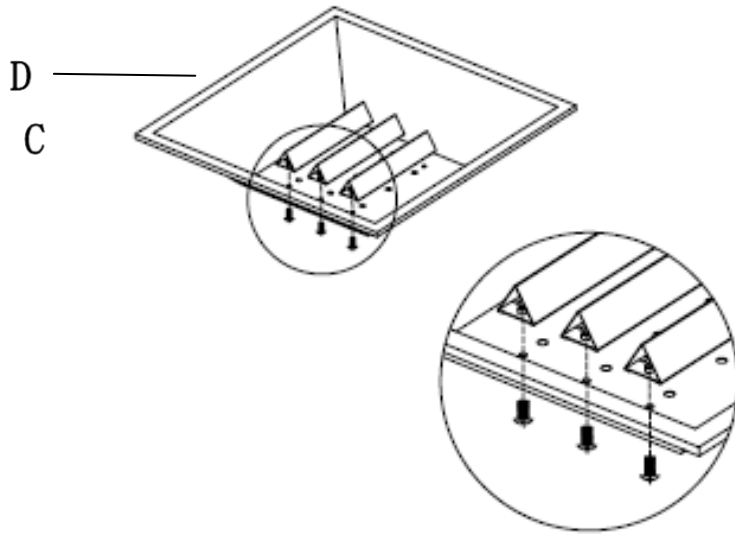
No.	Hardware	Qty	Drawing
AA	M6X8MM	8	
BB	M6X12MM	6	
CC	M6 Nut	5	
DD	Wrench	1	

Assembly Instruction

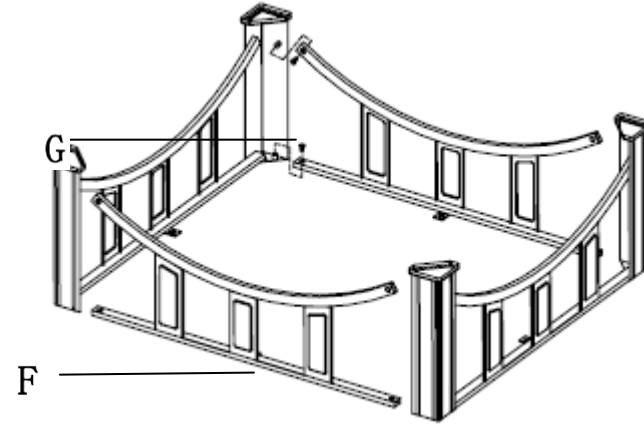
1. Attach the Handle(A) to the Spark Guard(B),using M6 Nut(CC).



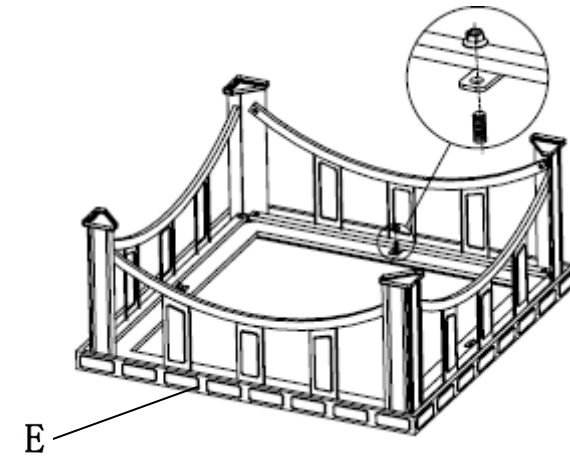
2. Attach the Air Vents(C) to the Fire Bowl(D),using M6×12mm(BB).



3. Attach Leg A(F) to Leg B (G) using M6X8mm Bolt(AA).

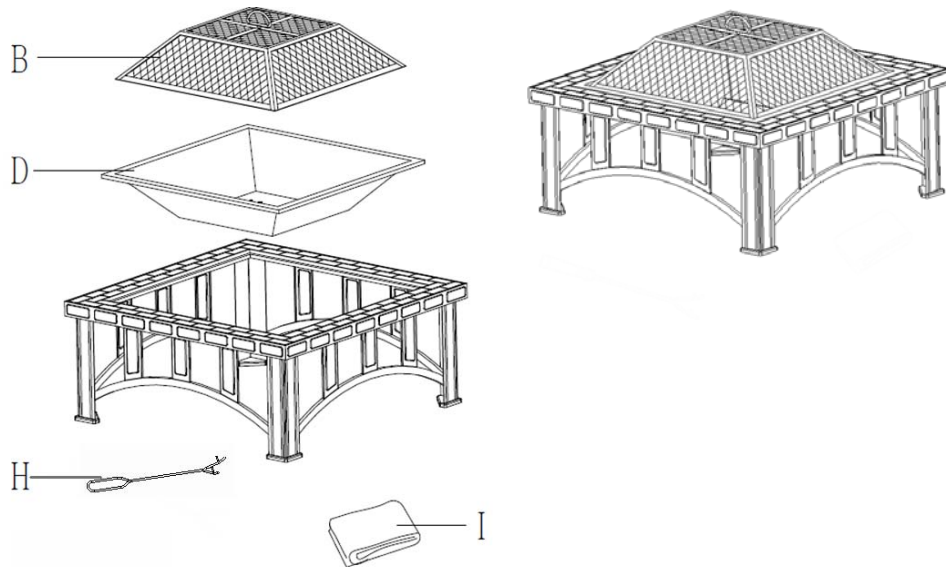


4. Put the assembled Leg(G)&F) to the Slate Top(E),using M6 Nut(CC),then tighten all nuts by Wrench(DD).



5. Turn completed base and slate top assembly right side up. Place Fire Bowl(D) into base as illustrated. Place Spark Guard(B) over Fire bowl as illustrated. keep Poker (H) near fire pit for use as needed.

Now your fire pit is ready for use!



Warning

FOR OUTDOOR USE ONLY.

- * **KEEP THE OUTDOOR FIRE PIT AT LEAST 20 FEET AWAY FROM ANY FLAMMABLE SURFACE OR DWELLING.**
- * **KEEP AWAY FROM CHILDREN AND PETS.**
- * **CHECK WITH THE LOCAL OFFICIALS AND FIRE DEPARTMENT FOR ORDINANCES REGARDING THE USE OF OUTDOOR FIRE PITS.**
- * **NEVER USE GASOLINE, KEROSENE, LIGHTER FLUID, ALCOHOL OR ANY OTHER FLAMMABLE MATERIAL TO LIGHT YOUR FIRE.**
- * **ALWAYS USE GLOVES AND PROTECTIVE GLASSES WHEN LOADING THE FIRE PIT OR EXTINGUISHING THE FIRE.**
- * **NEVER LEAVE THE FIREPIT UNATTENDED WHEN NOT IN USE**
- * **DO NOT MOVE THE FIRE PIT WHEN HOT OR LIT**
- * **ALWAYS SET THE OUTDOOR FIREPIT ON A LEVEL NON-FLAMMABLE SURFACE**
- * **DO NOT TOUCH FIRE PIT WHILE IN USE.**
- * **NEVER OVER LOAD THE OUTDOOR FIREPIT**
- * **ALWAYS MAKE SURE THE FIRE AND ASHES ARE COMPLETELY EXTINGUISHED WHEN NOT IN USE OR UNATTENDED**
- * **HAVE A FIRE EXTINGUISHER AVAILABLE NEAR THE FIRE PIT IN CASE OF EMERGENCY**
- * **THE LOG GRATE IS NOT INTENDED FOR COOKING, AND SHOULD NOT BE USED FOR THIS PURPOSE**
- * **DO NOT BURN COAL, LEAVES OR OTHER COMBUSTIBLE MATERIALS IN THE FIRE PIT**

Care and Maintenance

This fire pit is a quality built product; the frame structure is made of powder coated steel, and under normal use and conditions is rust resistant. However if scratched, or under certain atmospheric conditions rust may occur. Should rust occur, we suggest using a steel brush or steel wool to remove the rust on the affected area. When the area is clean, apply a coat of primer and when dry spray a high heat anti rust metal paint onto the frame.

We also recommend the fire pit to be cleaned after use each time and cover it with pvc cover when not in use.

CLEANING

This outdoor fire pit should be cleaned on a regular basis to promote and longer product life. Do NOT attempt to clean this outdoor fire pit until the fire is COMPLETELY COOLED. Do NOT clean any part of this outdoor fire PIT with oven cleaner as it may damage the finish.

STORAGE

Do not move or store this outdoor fire pit until completely cooled.

carefully remove the coals and ashes and dispose in a proper manner according to local and state ordinances after the fire pit is completely cooled .

2. Cover fire pit when not in use. Make sure that the fire pit is completely cooled before covering.

3. Store assembled in a location away from children and pets.

Note: If not in use, store fire pit in a dry location to maximize product life.