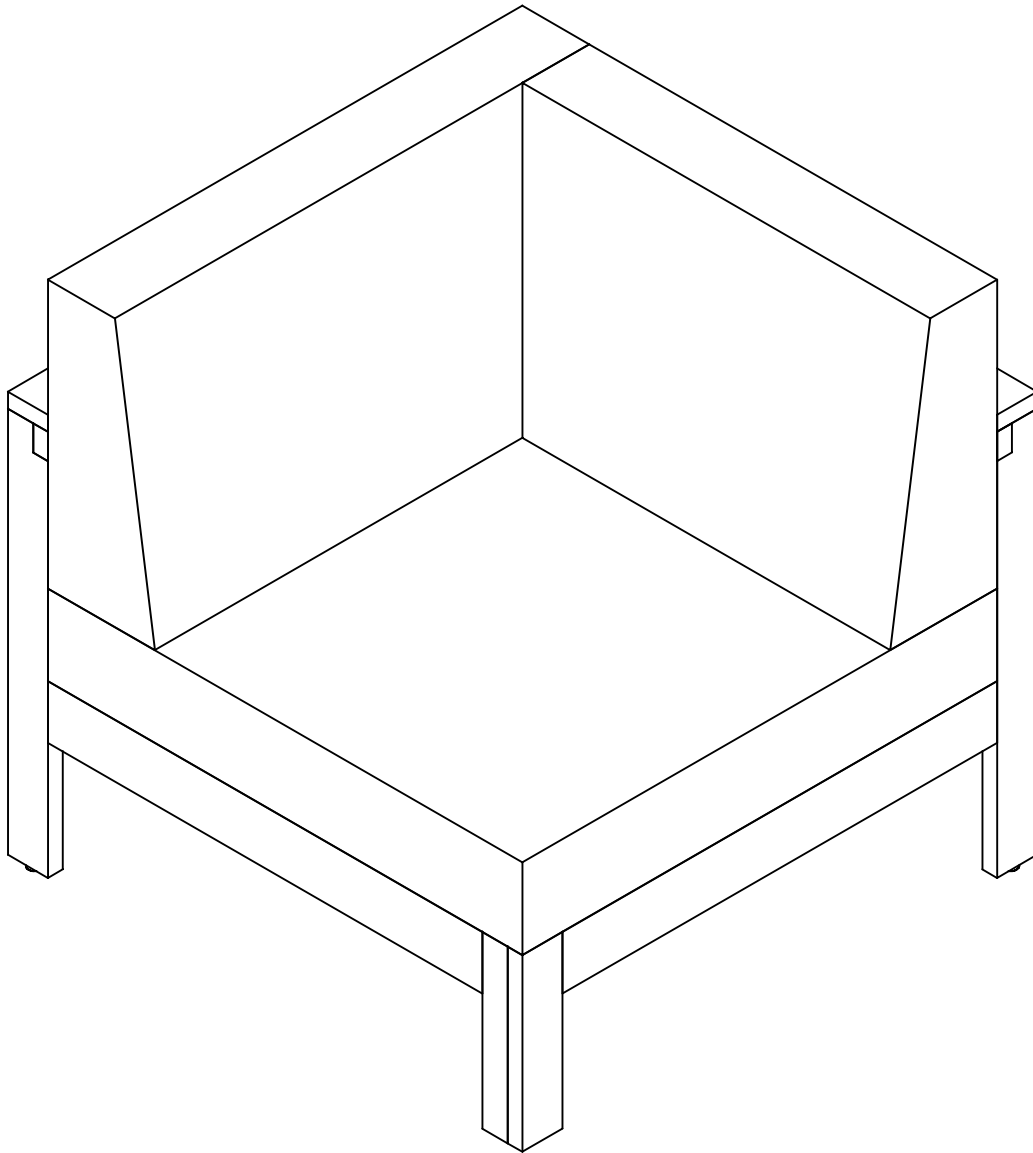


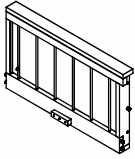
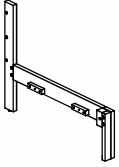
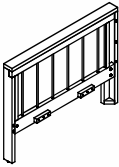
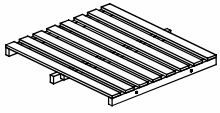
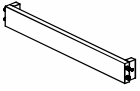
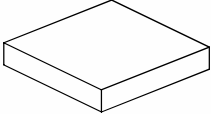
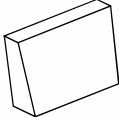
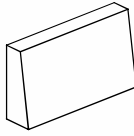
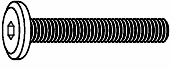


Assembly Instructions

Chair

CAUTION: You must read this before you proceed

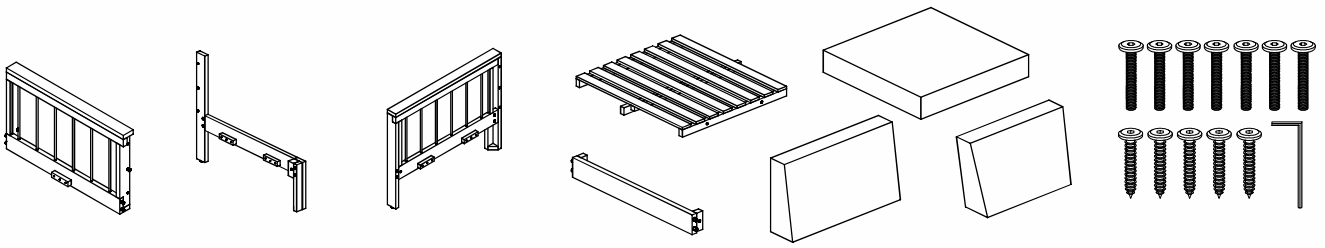


CAUTION: This Chair is NOT a Toy.
Keep your child / children at bay in the process of assembly.
For turning the Chair and to prevent damage to the Chair, 02 persons may be needed to execute this action.

Parts List			
No.	Picture	Description	Qty
A		Backrest Panel	1
B		Right Arm Panel	1
C		Left Arm Panel	1
D		Seat Panel	1
E		Support Bar	1
F		Seat Cushion	1
G		Right Back Cushion	1
H		Left Back Cushion	1
Hardware			
No.	Picture	Description	Qty
①		Bolts (M6x40mm)	7
②		Screws (M6x40mm)	5
③		Allen Key	2

Assembly Preparation

Before Beginning Assembly



☒ Read instruction, cover to cover.



☒ Have 2 adults on hand for assembly.



☒ Do not assemble on flooring or carpet.

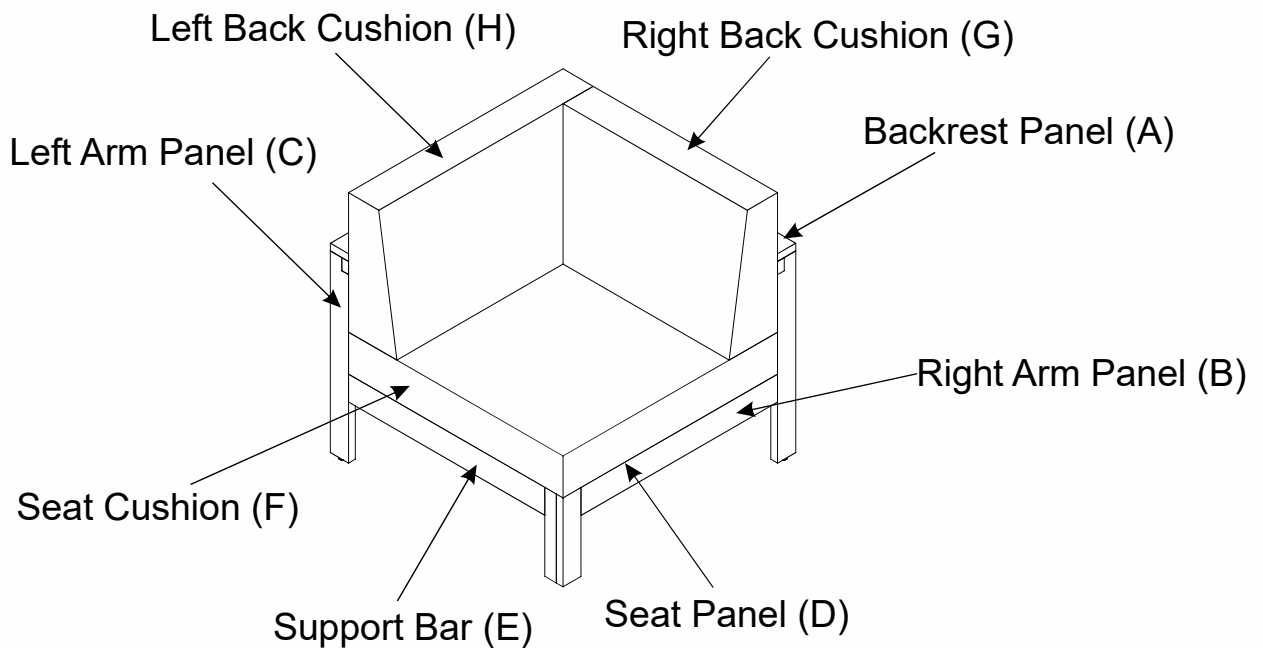


☒ Assemble on a clean non-marring surface (packing foam).



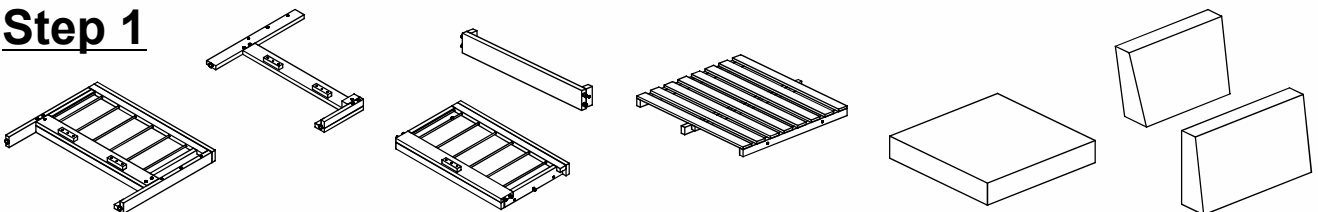
☒ Save all packaging until finished

Assembly Steps



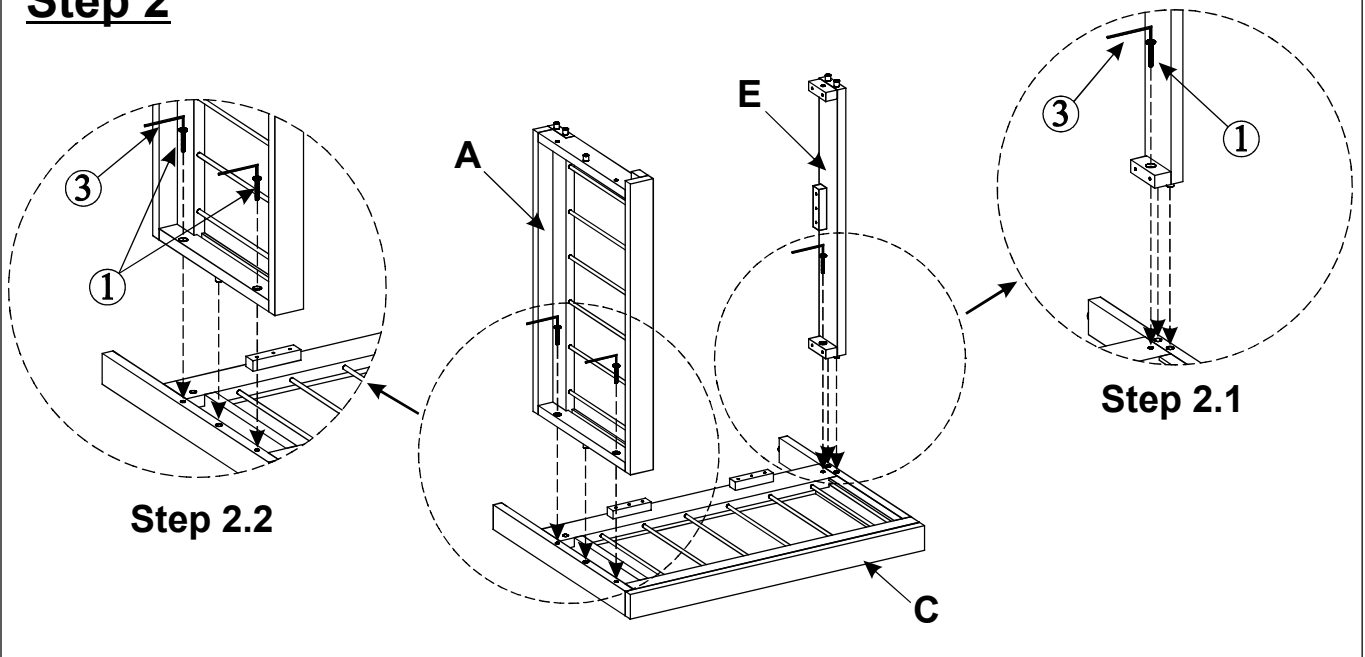
This Chair has multiple parts and may require up to 30 minutes to assemble. To give you an overview of the Chair parts, the above picture is to help you put the various parts into perspective. Please read through the instructions below to familiarise yourself with the parts and steps before assembly.

Step 1



Unpack and place all parts on a clean, non-marring surface

Step 2



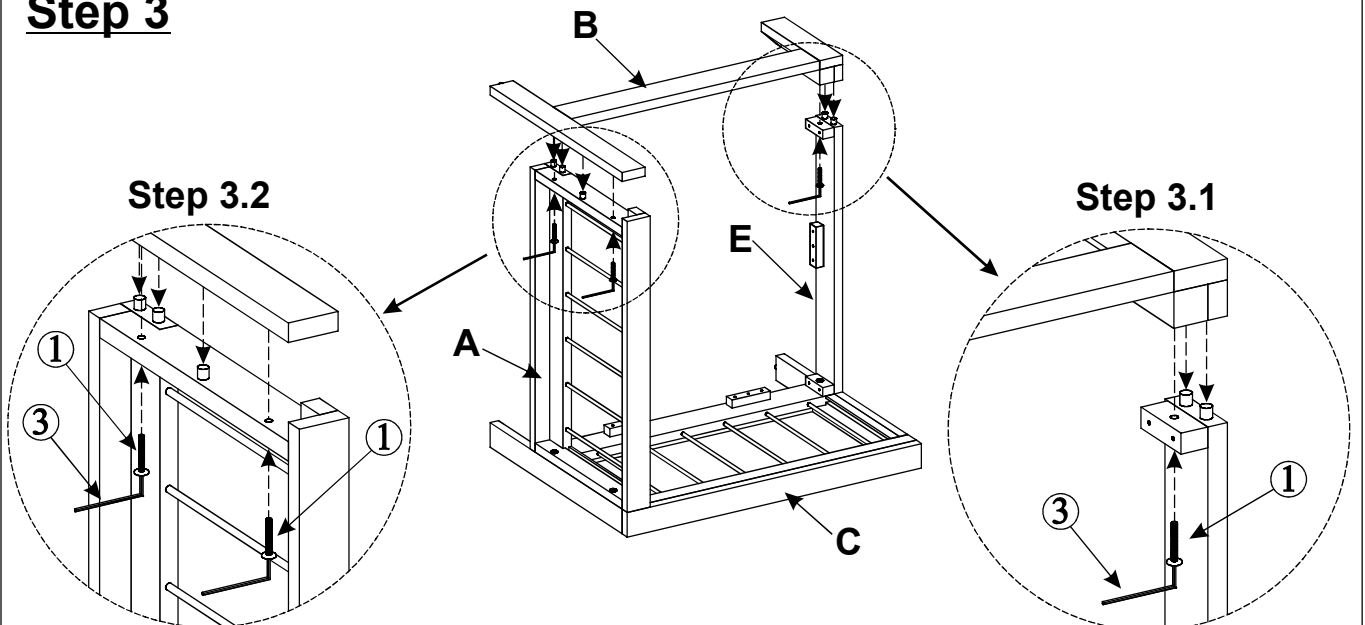
Place the Left Arm Panel (C) onto a clean, non-marring surface as pictured.

2.1) Align the dowels of Support Bar (E) into the positions in the Left Arm Panel (C) . Then, attach Support Bar (E) to Left Arm Panel (C) using Bolt (1) with Allen Key (3).

2.2) Attach Backrest Panel (A) to Left Arm Panel (C) using Bolts (1) with Allen Key (3).

DO NOT FULLY TIGHTEN BOLTS.

Step 3



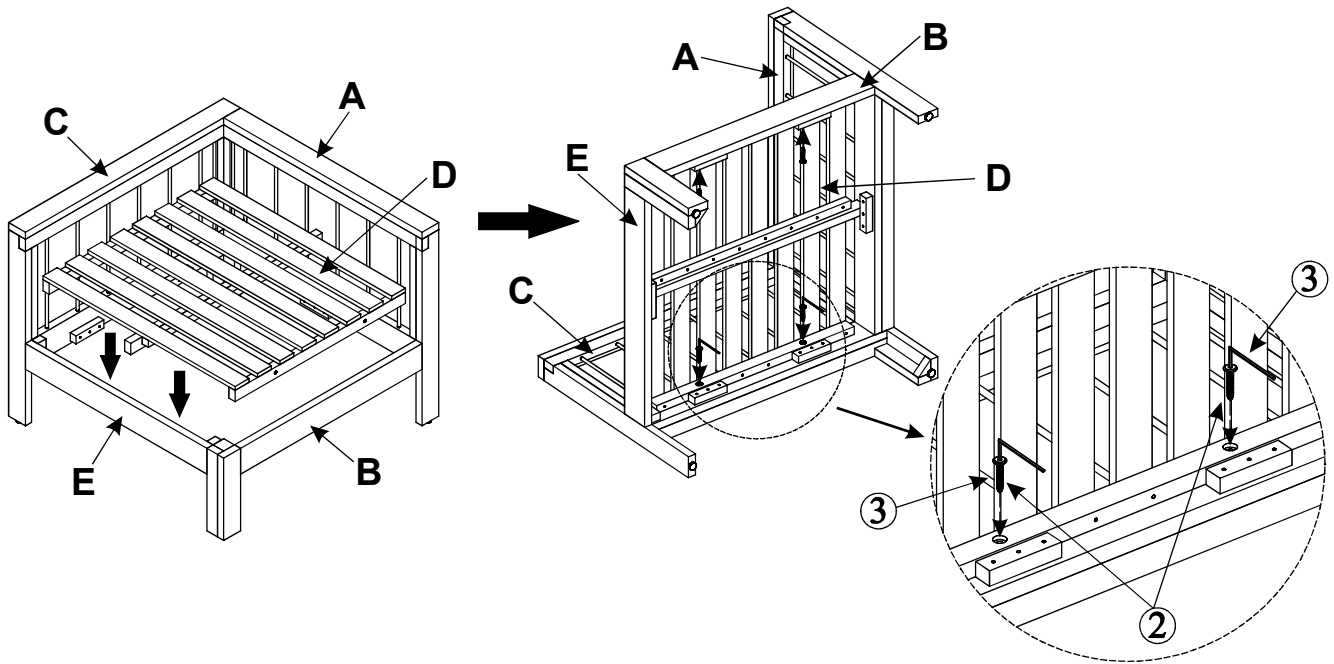
Place Right Arm Panel (B) onto the assembled frame.

3.1) Insert dowels of Support Bar (E) into mounting positions on Right Arm Panel (B) . Then, attach Support Bar (E) to Right Arm Panel (B) using Bolt (1) with Allen Key (3).

3.2) Attach Right Arm Panel (B) to Backrest Panel (A) using Bolts (1) with Allen Key (3).

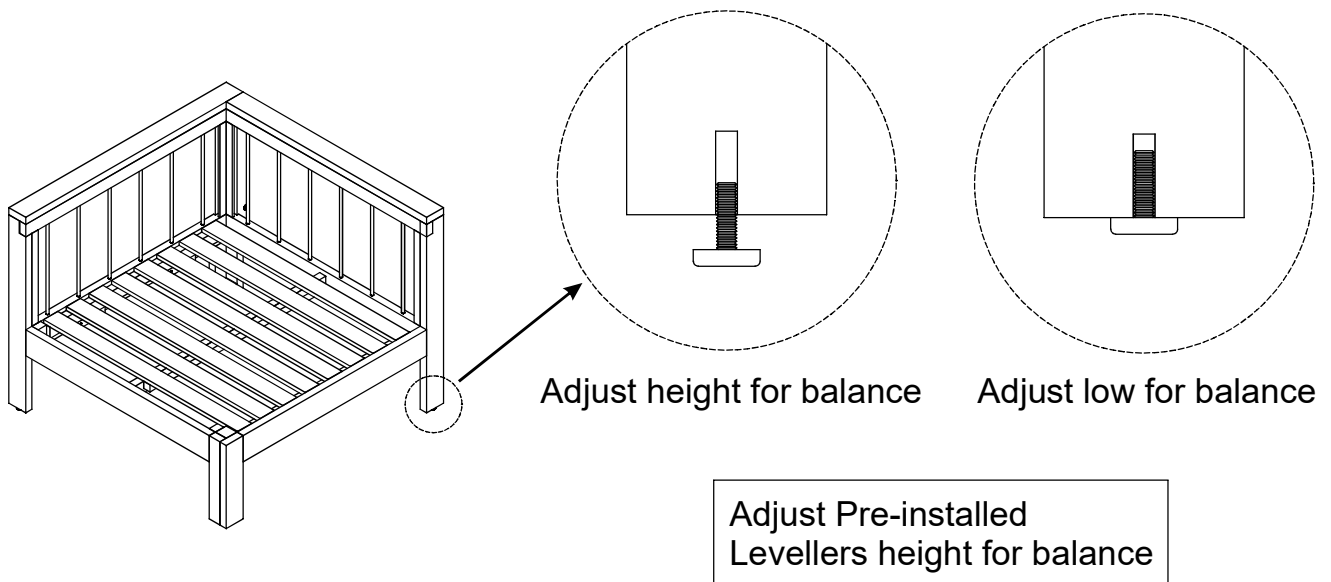
DO NOT FULLY TIGHTEN BOLTS.

Step 4



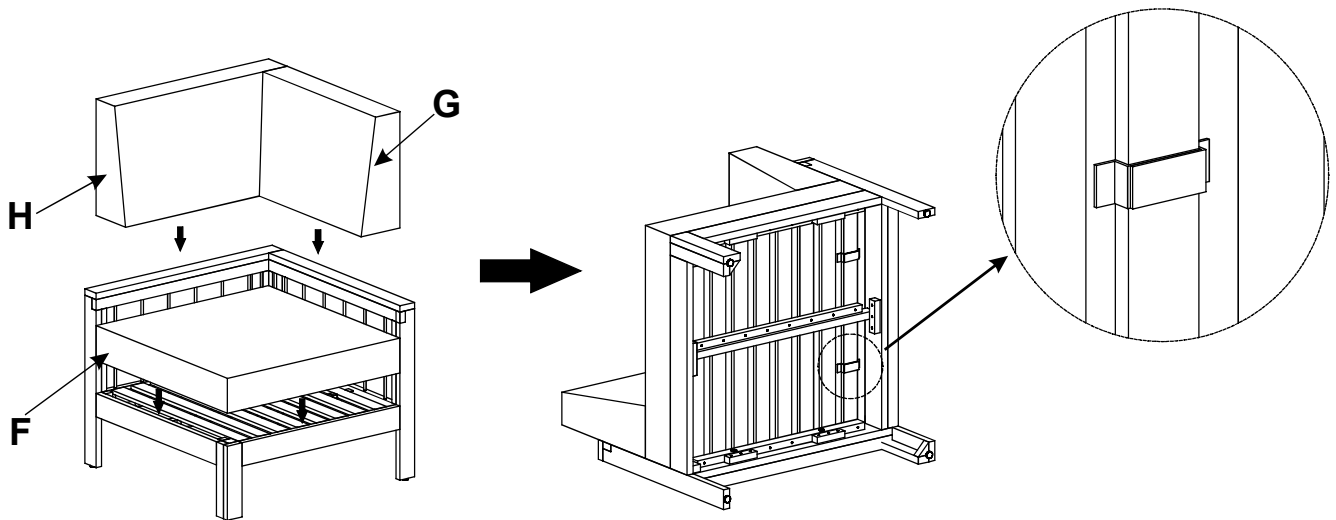
Attach Seat Panel (D) to Chair using Screws (②) with Allen Key (③) as pictured.
DO NOT FULLY TIGHTEN SCREWS.

Step 5



Place the Chair onto a flat, level surface.
Then EXERT pressure floorward onto the Chair with both hands.
This pressure will help the Chair reach full alignment at all joints.
In a sequential manner, graduallly tighten all Bolts at all joints until evenly secured.
Inspect the Chair and make sure all parts are adequately connected.
Adjust the Levellers until the Chair is level with the ground.
To adjust the Levellers, get assistance from an adult partner to life/lean and hold the Chair while you are working.

Step 6

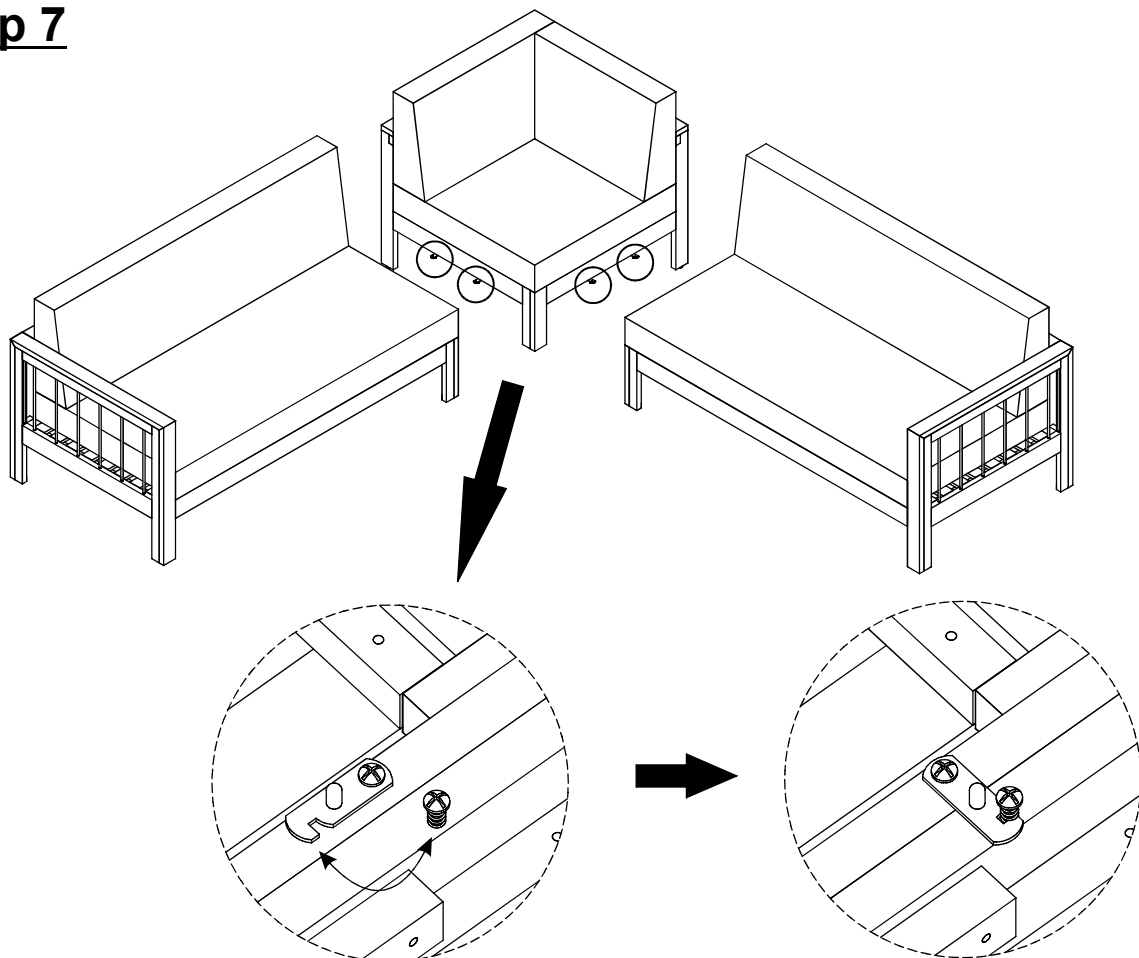


Place Seat Cushion (F), Right Back Cushion (G) and Left Back Cushion (H) onto the Chair as show above.

The Chair is ready to be used.

This Chair can only be used on a flat, level surface.













Step 7



Note: This is an optional step in case you want to connect all chairs together in a set.

With assistance from your adult partners, place the Chairs facedown and connect them using the pre-fixed clips.

Care & Maintenance

-   ● Do not put hot items directly on furniture surface
 -   ● Do not clean furniture with harsh cleansers or polish.
 - ✓  ● To obtain the longest lifespan of your outdoor products, minimizing exposure to direct sunlight is recommended.
 -  ● Children should not climb or jump on the furniture.
 -  ● Do not write on furniture without a padded barrier to protect the surface.
 - ✓  ● To obtain the longest lifespan of your outdoor products, avoid extended and lengthy exposure to rain, snow, and direct sunshine. Whenever possible cover the product and /or place under patio or awnings.
 -  ● Not for commercial use. For residential use only .
 -  ● Stains may be removed with mild soap solution and damp cloth.
 - ✓  ● Keep away from sources of ignition.
-
- ✓  ● Dust and pick-up spills using a clean, non-colored, lint-free cloth.