

POLY & BARK

Assembly Instructions

Festa 82" Dining Table

V3.10.26.20 | ITEM# DI-653



Assembly Instructions

Festa 82" Dining Table

ASSEMBLY REQUIREMENT

2 PERSON ASSEMBLY | 20 MINUTES ASSEMBLY TIME (APPROXIMATE)

TOOLS REQUIRED: SPANNER WRENCH (PROVIDED)

ASSEMBLY PREPARATION

1. Remove all packaging materials, staples and packing straps from the carton.
2. Refer to Parts Checklist and ensure they are complete before you start assembling.
3. Place all components on a clean, flat and soft surface (e.g. carpet or rug) to prevent parts from getting scratched.

TIPS FOR ASSEMBLY

1. Allow ample room for assembly and in close proximity to where product will be placed.
2. Assemble the product on a surface that does not scratch or damage the exterior and finish of the furniture.
3. During assembly, do not over-tighten any fittings as this may cause damage.
4. **DO NOT USE POWER TOOLS TO ASSEMBLE THIS PRODUCT.**
5. Do not sit or stand on the partially assembled product, only use the product for which it is intended.

CARE AND USE

- Recommended for indoor and residential use only.
- Please exercise caution when placing food or drinks on the surface. Use of a coaster or placemat is highly recommended to avoid damage to surface.
- Wipe with a soft, dry cloth. Do not use harsh abrasives or household cleaners as they may damage the finish.
- Check all the fittings periodically and re-tighten as necessary. Do not use the product if any of the parts is damaged or broken.
- Never allow any kind of liquid to remain on your furniture. Absorption can cause surface to warp or delaminate.
- Do not place hot items (e.g. hot drinks) directly onto the surface.
- Do not drag and/or pull the furniture.

SAFETY PRECAUTIONS: 1. KEEP ALL HARDWARE PARTS OUT OF REACH OF CHILDREN. 2. DISPOSE PLASTIC PACKAGING MATERIAL IMMEDIATELY TO AVOID ANY RISK OF SUFFOCATION TO CHILDREN AND ANIMALS.

PARTS CHECKLIST



Spanner Wrench



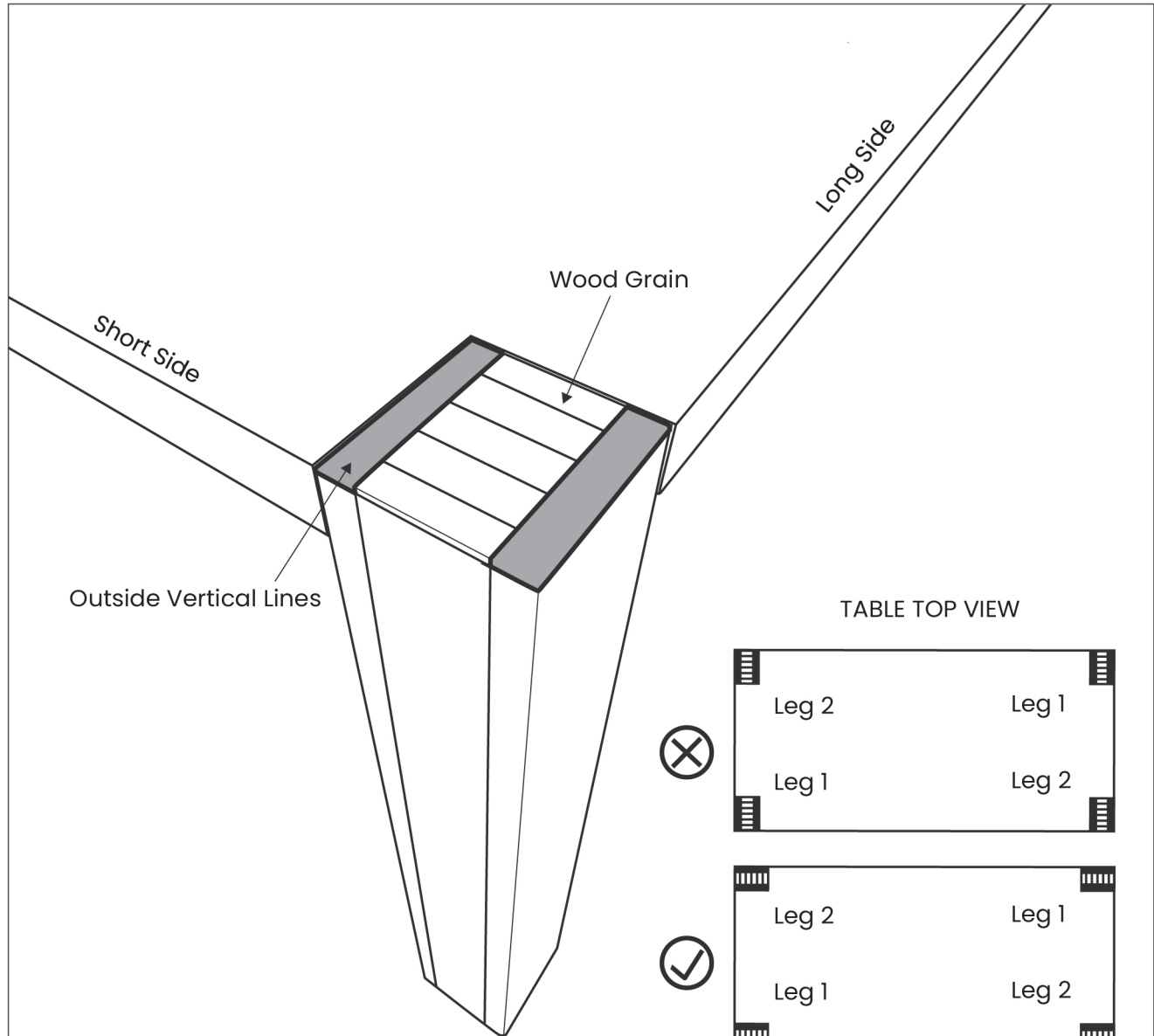
X8 70MM Bolts



X8 Crush Washers



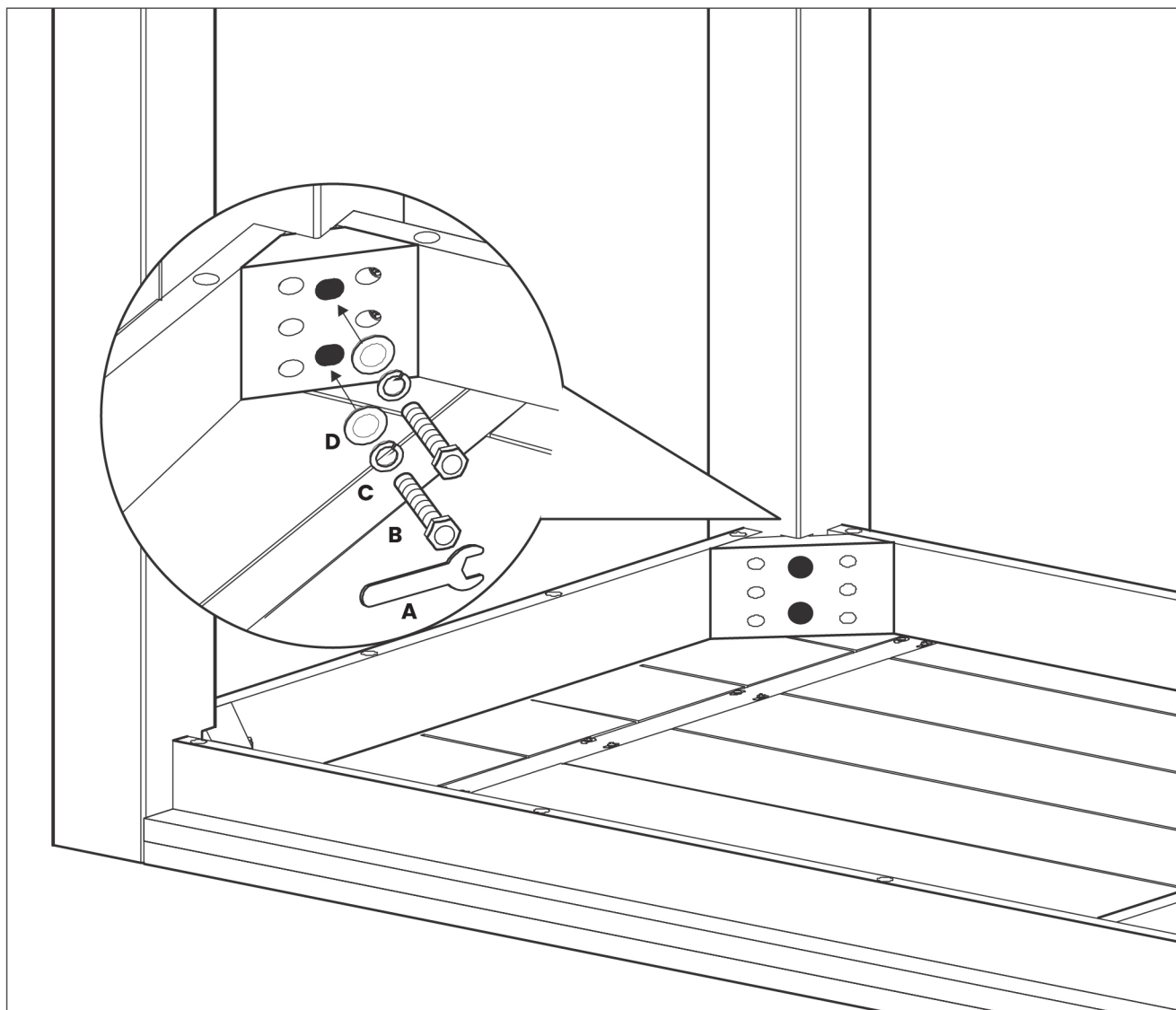
X8 Washers



STEP 1.

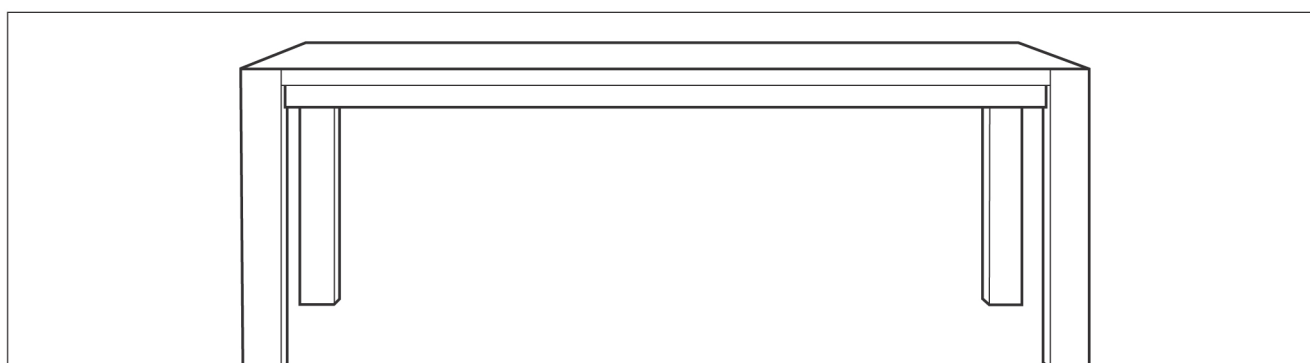
The outside vertical lines should be positioned in the same direction as the long side of the table top as shown.

Note: Due to the nature of solid wood, variations in humidity can cause the wood to expand and shrink. With this, the table is designed to have tolerance gaps between the legs and top, these allow for the movement to happen without damaging the piece.



STEP 2.

With another person, carefully place table top upside down on a clean, soft and flat surface. Attach legs using Bolt **B**, Crush Washer **C** and Washer **D** as shown above, hand tightening screws and finishing with Spanner Wrench **A**. Ensure the legs are tightly secure.



STEP 3.

Cook up your favorite meal (now that you have somewhere to put it, obviously with placemats), invite over your friends and family and enjoy!

Missing something?

We work very hard to ship a perfect product, but sometimes furniture or hardware go missing or get damaged in transit.

Please contact us and we'll quickly make it right.



Need some help? Our support team is here for you.

 help@polyandbark.com  1 (855) 310-1450  polyandbark.com