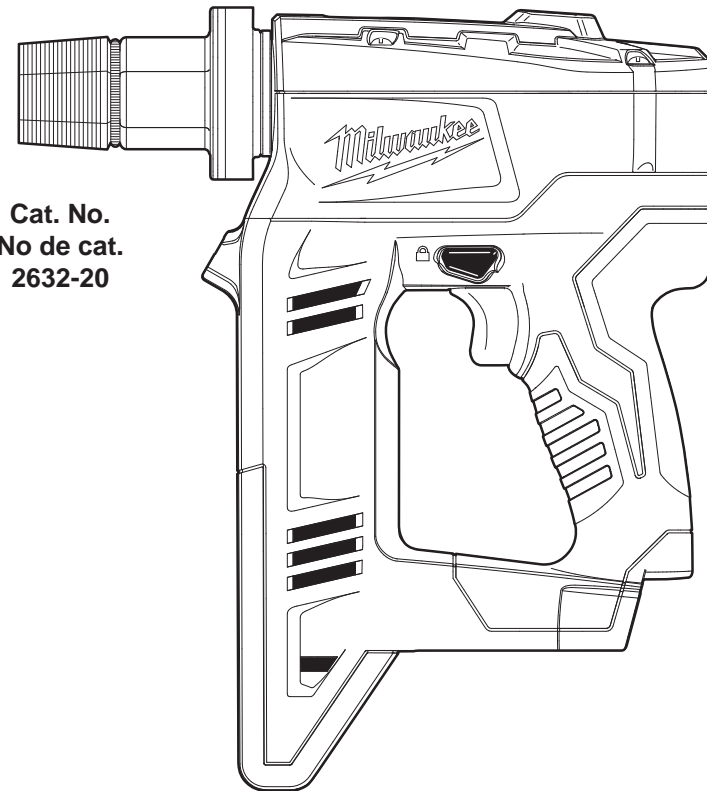




OPERATOR'S MANUAL
MANUEL de L'UTILISATEUR
MANUAL del OPERADOR



Cat. No.
No de cat.
2632-20

M18™ PROPEX™ EXPANSION TOOL
ÉLARGISSEUR PROPEX™ M18™
HERRAMIENTA PARA EXPANSIÓN M18™ PROPEX™

TO REDUCE THE RISK OF INJURY, USER MUST READ AND UNDERSTAND OPERATOR'S MANUAL.

AFIN DE RÉDUIRE LE RISQUE DE BLESSURES, L'UTILISATEUR DOIT LIRE ET BIEN COMPRENDRE LE MANUEL DE L'UTILISATEUR.

PARA REDUCIR EL RIESGO DE LESIONES, EL USUARIO DEBE LEER Y ENTENDER EL MANUAL DEL OPERADOR.

GENERAL POWER TOOL SAFETY WARNINGS



WARNING READ ALL SAFETY WARNINGS AND ALL INSTRUCTIONS.

Failure to follow the warnings and instructions may result in electric shock, fire and/or serious injury. **Save all warnings and instructions for future reference.** The term "power tool" in the warnings refers to your mains-operated (corded) power tool or battery-operated (cordless) power tool.

WORK AREA SAFETY

- **Keep work area clean and well lit.** Cluttered or dark areas invite accidents.
- **Do not operate power tools in explosive atmospheres, such as in the presence of flammable liquids, gases or dust.** Power tools create sparks which may ignite the dust or fumes.
- **Keep children and bystanders away while operating a power tool.** Distractions can cause you to lose control.

ELECTRICAL SAFETY

- **Power tool plugs must match the outlet. Never modify the plug in any way. Do not use any adapter plugs with earthed (grounded) power tools.** Unmodified plugs and matching outlets will reduce risk of electric shock.
- **Avoid body contact with earthed or grounded surfaces such as pipes, radiators, ranges and refrigerators.** There is an increased risk of electric shock if your body is earthed or grounded.
- **Do not expose power tools to rain or wet conditions.** Water entering a power tool will increase the risk of electric shock.
- **Do not abuse the cord. Never use the cord for carrying, pulling or unplugging the power tool. Keep cord away from heat, oil, sharp edges or moving parts.** Damaged or entangled cords increase the risk of electric shock.
- **When operating a power tool outdoors, use an extension cord suitable for outdoor use.** Use of a cord suitable for outdoor use reduces the risk of electric shock.
- **If operating a power tool in a damp location is unavoidable, use a residual current device (RCD) protected supply.** Use of an RCD reduces the risk of electric shock.

PERSONAL SAFETY

- **Stay alert, watch what you are doing and use common sense when operating a power tool. Do not use a power tool while you are tired or under the influence of drugs, alcohol or medication.** A moment of inattention while operating power tools may result in serious personal injury.
- **Use personal protective equipment. Always wear eye protection.** Protective equipment such as dust mask, non-skid safety shoes, hard hat, or hearing protection used for appropriate conditions will reduce personal injuries.
- **Prevent unintentional starting. Ensure the switch is in the off-position before connecting to power source and/or battery pack, picking up or carrying the tool.** Carrying power tools with your finger on the switch or energising power tools that have the switch on invites accidents.

- **Remove any adjusting key or wrench before turning the power tool on.** A wrench or a key left attached to a rotating part of the power tool may result in personal injury.
- **Do not overreach. Keep proper footing and balance at all times.** This enables better control of the power tool in unexpected situations.
- **Dress properly. Do not wear loose clothing or jewellery. Keep your hair, clothing and gloves away from moving parts.** Loose clothes, jewellery or long hair can be caught in moving parts.
- **If devices are provided for the connection of dust extraction and collection facilities, ensure these are connected and properly used.** Use of dust collection can reduce dust-related hazards.

POWER TOOL USE AND CARE

- **Do not force the power tool. Use the correct power tool for your application.** The correct power tool will do the job better and safer at the rate for which it was designed.
- **Do not use the power tool if the switch does not turn it on and off.** Any power tool that cannot be controlled with the switch is dangerous and must be repaired.
- **Disconnect the plug from the power source and/or the battery pack from the power tool before making any adjustments, changing accessories, or storing power tools.** Such preventive safety measures reduce the risk of starting the power tool accidentally.
- **Store idle power tools out of the reach of children and do not allow persons unfamiliar with the power tool or these instructions to operate the power tool.** Power tools are dangerous in the hands of untrained users.
- **Maintain power tools. Check for misalignment or binding of moving parts, breakage of parts and any other condition that may affect the power tool's operation. If damaged, have the power tool repaired before use.** Many accidents are caused by poorly maintained power tools.
- **Keep cutting tools sharp and clean.** Properly maintained cutting tools with sharp cutting edges are less likely to bind and are easier to control.
- **Use the power tool, accessories and tool bits etc., in accordance with these instructions, taking into account the working conditions and the work to be performed.** Use of the power tool for operations different from those intended could result in a hazardous situation.

BATTERY TOOL USE AND CARE

- **Recharge only with the charger specified by the manufacturer.** A charger that is suitable for one type of battery pack may create a risk of fire when used with another battery pack.

- Use power tools only with specifically designated battery packs. Use of any other battery packs may create a risk of injury and fire.
- When battery pack is not in use, keep it away from other metal objects like paper clips, coins, keys, nails, screws, or other small metal objects that can make a connection from one terminal to another. Shorting the battery terminals together may cause burns or a fire.
- Under abusive conditions, liquid may be ejected from the battery; avoid contact. If contact accidentally occurs, flush with water. If liquid contacts eyes, additionally seek medical help. Liquid ejected from the battery may cause irritation or burns.

SERVICE

- Have your power tool serviced by a qualified repair person using only identical replacement parts. This will ensure that the safety of the power tool is maintained.

SPECIFIC SAFETY RULES

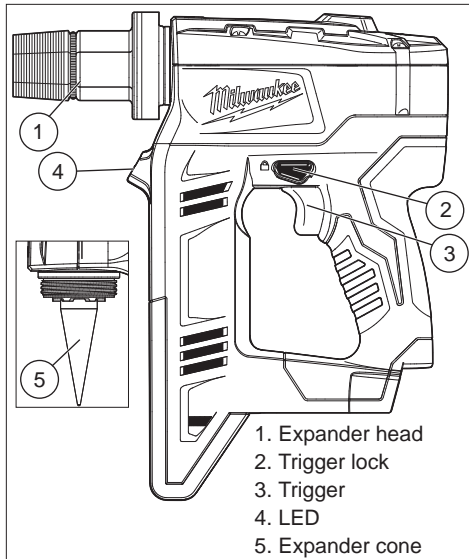
- Use tool only to expand PEX-a material. Other materials may split or crack, causing leaking.

- Store tool with expander head installed to protect expander cone from damage.
- Keep fingers away from expander head during use. When expander head contracts, pinching can occur.
- Maintain labels and nameplates. These carry important information. If unreadable or missing, contact a MILWAUKEE service facility for a free replacement.
- WARNING: Some dust created by power sanding, sawing, grinding, drilling, and other construction activities contains chemicals known to cause cancer, birth defects or other reproductive harm. Some examples of these chemicals are:
 - lead from lead-based paint
 - crystalline silica from bricks and cement and other masonry products, and
 - arsenic and chromium from chemically-treated lumber.
 Your risk from these exposures varies, depending on how often you do this type of work. To reduce your exposure to these chemicals: work in a well ventilated area, and work with approved safety equipment, such as those dust masks that are specially designed to filter out microscopic particles.

SPECIFICATIONS

Cat. No.	Volts DC	Max PEX-A Diameter	Expander Heads	Lubricant
2632-20	18	3/8" to 1-1/2"	3/8" to 1" MILWAUKEE M12™ ProPEX™, 3/8" to 1-1/2" MILWAUKEE M18™ ProPEX™, Uponor Standard, and Uponor "H"	Expander Cone Grease Cat.No. 49-08-2400

FUNCTIONAL DESCRIPTION



1. Expander head
2. Trigger lock
3. Trigger
4. LED
5. Expander cone

SYMBOLOLOGY

	Direct Current
	Underwriters Laboratories, Inc. United States and Canada

ASSEMBLY

- WARNING Recharge only with the charger specified for the battery. For specific charging instructions, read the operator's manual supplied with your charger and battery.

Inserting/Removing the Battery

To **remove** the battery, push in the release buttons and pull the battery pack away from the tool. To **insert** the battery, slide the pack into the body of the tool. Make sure it latches securely into place.

Changing Expander Heads

To **remove** an expander head, unscrew from tool counterclockwise. To **install** an expander head, screw onto tool clockwise. Hand tighten securely. Do not over tighten. The expander head must fit snugly against the shoulder of the tool.

OPERATION

- WARNING Always remove battery pack before changing or removing accessories. Only use accessories specifically recommended for this tool. Others may be hazardous.

- WARNING To reduce the risk of injury, wear safety goggles or glasses with side shields.

Trigger Lock

To **lock** the trigger, push the trigger lock from the left side of the tool. The trigger will not work while the switch is in the locked position. Lock the trigger when storing the tool and when the tool is not in use. To **unlock** the trigger, push the trigger lock from the right side of the tool.

- CAUTION Use only MILWAUKEE M18™ ProPEX™ expander heads or Uponor Standard expansion heads. The use of incorrectly sized expansion heads may result in faulty connections, which could result in property damage.

Making PEX Tubing Connections

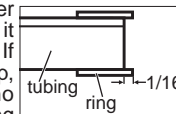
- To ensure a proper connection:
 - Remove the expander head and remove any dirt and debris.
 - Use a clean, lint-free cloth to apply a thin coat of MILWAUKEE Expander Cone Grease Cat.No. 49-08-2400 to the expander cone. Do not over-lubricate.

- CAUTION Improper lubrication (too much or too little) may result in faulty connections, which could result in property damage.

- Do not expand tubing beyond the tool's capacity (1-1/2").
- Pull trigger and verify that the expander head is rotating after each cycle when using MILWAUKEE M18™ ProPEX™ expander heads.

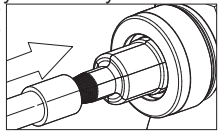
1. Cut the PEX tubing to the needed length. Use only cutters designed for PEX tubing. Make sure the cut is perpendicular to the length of the tubing.

2. Slide the ProPEX™ Ring over the end of the tubing until it butts against the ring stop. If the ring does not have a stop, leave an over-hang of no more than 1/16". When using 3/8" ProPEX™, refer to "3/8" ProPEX™ Rings" for proper assembly.

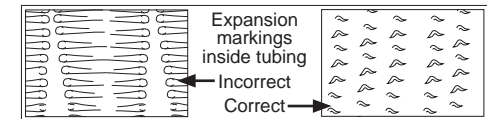


3. Insert the expander head into the PEX tubing.
4. Pull the trigger. The expander head will expand, retract, and rotate slightly in each cycle.

NOTE: When Uponor Standard expander heads are used, the head will NOT rotate automatically. Each time the segments contract, gently push the tubing up onto the expander head and rotate 1/8 turn in either direction.



- CAUTION When using Uponor Standard expansion heads, properly rotate the tubing after each expansion to create even, smooth expansion marks. Not rotating the tubing may cause deep grooves and faulty connections, which could result in leaking and property damage.



Expander Head Size	Number of Expansions with Ring*
3/8"	5
1/2"	9
5/8"	9
3/4"	10
1"	19
1" H	7
1 1/4" H	9
1 1/2" H	10

* Fewer or more expansions may be necessary, as influenced by weather and technique.

5. Continue until the tubing is flush with the shoulder of the expander head. Then expand 1 to 4 more times, depending on the room temperature (the warmer the temperature, the more expansions are necessary).
6. Remove the tubing when the segments are contracted and release the trigger. To avoid over-expanding the tubing, do not keep tool in the expanded position with tubing in place.
7. Wipe excess grease from inside tubing.
8. Slide the tubing over the fitting until it is flush with the fitting shoulder. Connection may be tight. If unable to slide tubing over the fitting, remove from fitting and expand one additional time.
9. Tubing should fit tight against the fitting shoulder. If more than 1/16" gap between tubing and shoulder, cut 2" off the end of the tubing and restart procedure with a new ProPEX™ Ring.

3/8" ProPEX™ Rings

The 3/8" ProPEX™ Rings do not fit over 3/8" tubing without expanding the ring separately.

1. Place the ProPEX™ Ring on the expander head and pull the trigger to expand the ring once.
2. Remove the ring.
3. Flip the ring over
4. Place the ring on the expander head and pull the trigger to expand the ring once more.
5. Immediately remove the ring and slide onto the tubing.

NOTE: The 3/8" ProPEX™ Rings shrink faster than other size rings.

6. Continue with step 3 of "Making PEX Tubing Connections".

Cold-weather Use

Colder weather (<40°F/4°C) requires a longer contraction time and fewer expansions. Do not make ProPEX™ connections in temperatures under 5°F (-15°C).

Troubleshooting ProPEX™ Connections

If fittings will not seal, check for the following:

- *Is the expander head screwed on tightly?* Tighten the head securely.
- *Are the expander head segments bent or misaligned?* Replace expander head.
- *Are the expander head segments failing to contract between expansions?* Clean and lubricate.
- *Is the expander cone over or under lubricated?* Clean and lubricate.
- *Is the fitting damaged?* Replace fitting.
- *Is the expander cone bent or damaged?* Return to a MILWAUKEE service facility for repair.
- *Was the expander head held in the expanded position before tubing was removed?* Cut 2" off tubing and restart process.
- *Was the tubing rotated slightly after each expansion when using an Uponor Stanard expansion head?* Cut 2" off tubing and restart process.
- *Are the tubing and ProPEX™ Ring clean and dry?* Wipe dry.
- *Is grease getting into the tubing from the expander head?* Wipe grease from tubing. Clean and lubricate expander head.

If ProPEX™ Ring slides during expansion:

- *Are the tubing and ProPEX™ Ring clean and dry?* Wipe clean.
- *Are your hands clean and dry?* Wipe dry — oils from your hands can lubricate the tubing and ProPEX™ Ring.
- *Are you holding the ring in place?* Place your thumb against the ring and hold in place during first couple of expansions.

MAINTENANCE

WARNING To reduce the risk of injury, always unplug the charger and remove the battery pack from the charger or tool before performing any maintenance. Never disconnect the tool, battery pack or charger. Contact a MILWAUKEE service facility for ALL repairs.

Maintaining Tool

Keep your tool, battery pack and charger in good repair by adopting a regular maintenance program.

Each month:

- Remove the expander head and soak in degreasing agent to remove grease from between expander segments.
- Wipe expander cone with clean, dry, lint-free cloth. Re-lubricate.

After six months to one year, depending on use, return the tool, battery pack and charger to a MILWAUKEE service facility for:

- Lubrication
- Mechanical inspection and cleaning (gears, spindles, bearings, housing, etc.)
- Electrical inspection (battery pack, charger, motor)
- Testing to assure proper mechanical and electrical operation

If the tool does not start or operate at full power with a fully charged battery pack, clean the contacts on the battery pack. If the tool still does not work properly, return the tool, charger and battery pack, to a MILWAUKEE service facility for repairs.

WARNING To reduce the risk of personal injury and damage, never immerse your tool, battery pack or charger in liquid or allow a liquid to flow inside them.

Cleaning

Clean dust and debris from charger and tool vents. Keep tool handles clean, dry and free of oil or grease. Use only mild soap and a damp cloth to clean the tool, battery pack and charger since certain cleaning agents and solvents are harmful to plastics and other insulated parts. Some of these include gasoline, turpentine, lacquer thinner, paint thinner, chlorinated cleaning solvents, ammonia and household detergents containing ammonia. Never use flammable or combustible solvents around tools.

Repairs

For repairs, return the tool, battery pack and charger to the nearest service center.

ACCESSORIES

WARNING Always remove battery pack before changing or removing accessories. Only use accessories specifically recommended for this tool. Others may be hazardous.

For a complete listing of accessories refer to your MILWAUKEE Electric Tool catalog or go online to www.milwaukeeetool.com. To obtain a catalog, contact your local distributor or service center.

LIMITED WARRANTY - USA AND CANADA

Every MILWAUKEE power tool (including cordless product – tool, battery pack(s) - see separate & distinct CORDLESS BATTERY PACK LIMITED WARRANTY statements & battery charger and Work Lights*) is warranted to the original purchaser only to be free from defects in material and workmanship. Subject to certain exceptions, MILWAUKEE will repair or replace any part on an electric power tool which, after examination, is determined by MILWAUKEE to be defective in material or workmanship for a period of five (5) years* after the date of purchase unless otherwise noted. Return of the power tool to a MILWAUKEE factory Service Center location or MILWAUKEE Authorized Service Station, freight prepaid and insured, is required. A copy of the proof of purchase should be included with the return product. This warranty does not apply to damage that MILWAUKEE determines to be from repairs made or attempted by anyone other than MILWAUKEE authorized personnel, misuse, alterations, abuse, normal wear and tear, lack of maintenance, or accidents.

*The warranty period for, Job Site Radios, M12™ Power Port and Trade Titan™ Industrial Work Carts is one (1) year from the date of purchase. The warranty period for a LED Work Light and LED Upgrade Bulb is a limited LIFETIME warranty to the original purchaser only, if during normal use the LED bulb fails the Work Light or Upgrade Bulb will be replaced free of charge.

*This warranty does not cover Air Nailers & Stapler, Airless Paint Sprayer, Cordless Battery Packs, Gasoline Driven Portable Power Generators, Hand Tools, Hoist – Electric, Lever & Hand Chain, M12™ Heated Jackets, Reconditioned product and Test & Measurement products. There are separate and distinct warranties available for these products.

Warranty Registration is not necessary to obtain the applicable warranty on a MILWAUKEE power tool product. The manufacturing date of the product will be used to determine the warranty period if no proof of purchase is provided at the time warranty service is requested.

ACCEPTANCE OF THE EXCLUSIVE REPAIR AND REPLACEMENT REMEDIES DESCRIBED HEREIN IS A CONDITION OF THE CONTRACT FOR THE PURCHASE OF EVERY MILWAUKEE PRODUCT. IF YOU DO NOT AGREE TO THIS CONDITION, YOU SHOULD NOT PURCHASE THE PRODUCT. IN NO EVENT SHALL MILWAUKEE BE LIABLE FOR ANY INCIDENTAL, SPECIAL, CONSEQUENTIAL OR PUNITIVE DAMAGES, OR FOR ANY COSTS, ATTORNEY FEES, EXPENSES, LOSSES OR DELAYS ALLEGED TO BE AS A CONSEQUENCE OF ANY DAMAGE TO, FAILURE OF, OR DEFECT IN ANY PRODUCT INCLUDING, BUT NOT LIMITED TO, ANY CLAIMS FOR LOSS OF PROFITS. SOME STATES DO NOT ALLOW THE EXCLUSION OR LIMITATION OF INCIDENTAL OR CONSEQUENTIAL DAMAGES, SO THE ABOVE LIMITATION OR EXCLUSION MAY NOT APPLY TO YOU. THIS WARRANTY IS EXCLUSIVE AND IN LIEU OF ALL OTHER EXPRESS WARRANTIES, WRITTEN OR ORAL. TO THE EXTENT PERMITTED BY LAW, MILWAUKEE DISCLAIMS ANY IMPLIED WARRANTIES, INCLUDING WITHOUT LIMITATION ANY IMPLIED WARRANTY OF MERCHANTABILITY OR FITNESS FOR A PARTICULAR USE OR PURPOSE; TO THE EXTENT SUCH DISCLAIMER IS NOT PERMITTED BY LAW, SUCH IMPLIED WARRANTIES ARE LIMITED TO THE DURATION OF THE APPLICABLE EXPRESS WARRANTY AS DESCRIBED ABOVE. SOME STATES DO NOT ALLOW LIMITATIONS ON HOW LONG AN IMPLIED WARRANTY LASTS, SO THE ABOVE LIMITATION MAY NOT APPLY TO YOU. THIS WARRANTY GIVES YOU SPECIFIC LEGAL RIGHTS, AND YOU MAY ALSO HAVE OTHER RIGHTS WHICH VARY FROM STATE TO STATE.

This warranty applies to product sold in the U.S.A. and Canada only.

Please consult the 'Service Center Search' in the Parts & Service section of MILWAUKEE's website www.milwaukeeetool.com or call 1.800.SAWDUST (1.800.729.3878) to locate your nearest MILWAUKEE factory Service Center location.

LIMITED WARRANTY - MEXICO, CENTRAL AMERICA AND CARIBBEAN

TECHTRONIC INDUSTRIES' warranty is for 5 year since the original purchase date.

This warranty card covers any defect in material and workmanship on this Power Tool.

To make this warranty valid, present this warranty card, sealed/stamped by the distributor or store where you purchased the product, to the Authorized Service Center (ASC). Or, if this card has not been sealed/stamped, present the original proof of purchase to the ASC.

Call toll-free 1 800 832 1949 to find the nearest ASC, for service, parts, accessories or components.

Procedure to make this warranty valid

Take the product to the ASC, along with the warranty card sealed/stamped by the distributor or store where you purchased the product, and there any faulty piece or component will be replaced without cost for you. We will cover all freight costs relative with this warranty process.

Exceptions

This warranty is not valid in the following situations:

- a) When the product is used in a different manners from the end-user guide or instruction manual.
 - b) When the conditions of use are not normal.
 - c) When the product was modified or repaired by people not authorized by TECHTRONIC INDUSTRIES.
- Note: If cord set is damaged, it should be replaced by an Authorized Service Center to avoid electric risks.

Model: _____

Date of Purchase: _____

Distributor or Store Stamp:

SERVICE AND ATTENTION CENTER
Rafael Buelna No.1.
Col. Tezozomoc Mexico, Azcapotzalco D.F.
Ph. 01 800 832 1949

IMPORTED AND COMMERCIALIZED BY:
TECHTRONIC INDUSTRIES MEXICO, S.A. DE C.V.
Av. Santa Fe 481 piso 6, Col. Curz Manca.
CP 05349, Cuajimalpa, D.F.

RÈGLES DE SÉCURITÉ GÉNÉRALES RELATIVES AUX OUTILS ÉLECTRIQUES

AVERTISSEMENT LIRE TOUTES LES RÈGLES ET INSTRUCTIONS DE SÉCURITÉ. Ne pas suivre l'ensemble des règles et instructions peut entraîner une électrocution, un incendie ou des blessures graves. **Conserver les règles et les instructions à des fins de référence ultérieure.** Le terme «outil électrique» figurant dans les avertissements ci-dessous renvoie à l'outil électrique à alimentation par le réseau (à cordon) ou par batterie (sans fil).

SÉCURITÉ DU LIEU DE TRAVAIL

- **Maintenir la zone de travail propre et bien éclairée.** Les zones encombrées ou mal éclairées sont favorables aux accidents.
- **Ne pas utiliser d'outil électrique dans une atmosphère explosive, telle qu'en en présence de liquides, de gaz ou de poussières inflammables.** Les outils électriques génèrent des étincelles qui peuvent enflammer les poussières ou les fumées.
- **Tenir les enfants et les personnes non autorisées à l'écart pendant le fonctionnement d'un outil électrique.** Un manque d'attention de l'opérateur risque de lui faire perdre le contrôle de l'outil.

SÉCURITÉ ÉLECTRIQUE

- **La fiche de l'outil électrique doit correspondre à la prise d'alimentation. Ne jamais modifier la fiche d'une manière quelconque. Ne pas utiliser d'adaptateur avec les outils électriques mis à la terre (à la masse).** Des fiches non modifiées et des prises d'alimentation assorties réduisent le risque de choc électrique.
- **Éviter tout contact corporel avec des surfaces reliées à la masse ou à la terre telles que tuyaux, radiateurs, cuisinières et réfrigérateurs.** Un risque de choc électrique plus élevé existe si le corps est relié à la masse ou à la terre.
- **Ne pas exposer les outils électriques à la pluie ou à l'humidité.** Le risque de choc électrique augmente si de l'eau s'infiltré dans un outil électrique.
- **Prendre soin du cordon. Ne jamais utiliser le cordon pour transporter, tirer ou débrancher l'outil électrique.** Tenir le cordon à l'écart de la chaleur, des huiles, des arêtes coupantes ou des pièces en mouvement. Un cordon endommagé ou emmêlé présente un risque accru de choc électrique.
- **Se procurer un cordon d'alimentation approprié en cas d'utilisation d'un outil électrique à l'extérieur.** L'utilisation d'un cordon d'alimentation pour usage extérieur réduit le risque de choc électrique.
- **S'il est nécessaire d'utiliser l'outil électrique dans un endroit humide, installer un appareil à courant résiduel (RCD).** L'utilisation d'un RCD réduit le risque de décharge électrique.

SÉCURITÉ INDIVIDUELLE

- **Être sur ses gardes, être attentif et faire preuve de bon sens en utilisant un outil électrique. Ne pas utiliser un outil électrique en cas de fatigue ou sous l'influence de drogues, d'alcool ou de médicaments.** Un instant d'inattention lors de l'utilisation d'un outil électrique peut entraîner des blessures graves.

- **Porter l'équipement de protection requis. Toujours porter une protection oculaire.** Selon les conditions, porter aussi un masque anti-poussières, des bottes de sécurité antidérapantes, un casque protecteur ou une protection auditive afin de réduire les blessures.
- **Empêcher les démarrages accidentels. S'assurer que la gâchette est en position d'arrêt avant de brancher l'outil à une source de courant, d'insérer la batterie, de le ramasser ou de le transporter.** Le fait de transporter l'outil en gardant le doigt sur la gâchette ou de le brancher lorsque la gâchette est en position de marche favorise les accidents.
- **Retirer toute clé de réglage avant de mettre l'outil sous tension.** Une clé laissée attachée sur une pièce mobile de l'outil électrique peut entraîner des blessures.
- **Ne pas travailler à bout de bras. Bien garder un bon équilibre à tout instant.** Ceci permet de mieux préserver la maîtrise de l'outil électrique dans des situations imprévues.
- **Porter des vêtements adéquats. Ne pas porter de vêtements amples ni de bijoux. Ne pas approcher les cheveux, vêtements et gants des pièces en mouvement.** Les vêtements amples, les bijoux ou les cheveux longs risquent d'être happés par les pièces en mouvement.
- **Si des dispositifs sont prévus pour l'extraction et la récupération des poussières, vérifier qu'ils sont connectés et utilisés correctement.** L'utilisation de ces dispositifs peut réduire les risques liés aux poussières.

UTILISATION ET ENTRETIEN DE L'OUTIL ÉLECTRIQUE

- **Ne pas forcer l'outil électrique. Utiliser l'outil électrique approprié à l'application considérée.** L'outil électrique adapté au projet considéré produira de meilleurs résultats, dans des conditions de sécurité meilleures, à la vitesse pour laquelle il a été conçu.
- **Ne pas utiliser l'outil électrique si le commutateur ne le met pas sous ou hors tension.** Tout outil électrique dont le commutateur de marche-arrêt est inopérant est dangereux et doit être réparé.
- **Débrancher la fiche de la prise d'alimentation et/ou la batterie de l'outil électrique avant d'effectuer des réglages, de changer d'accessoires ou de ranger l'outil.** De telles mesures de sécurité préventive réduisent le risque de mettre l'outil en marche accidentellement.
- **Ranger les outils électriques inutilisés hors de la portée des enfants et ne pas laisser des personnes qui connaissent mal les outils élec-**

triques ou ces instructions utiliser ces outils. Les outils électriques sont dangereux dans les mains d'utilisateurs non formés à leur usage.

- **Entretien des outils électriques. S'assurer de l'absence de tout désalignement ou de grippage des pièces mobiles, de toute rupture de pièce ou de toute autre condition qui pourrait affecter le bon fonctionnement de l'outil électrique.** En cas de dommages, faire réparer l'outil avant de l'utiliser de nouveau. Les outils électriques mal entretenus sont à la source de nombreux accidents.
- **Garder les outils de coupe affûtés et propres.** Les outils de coupe correctement entretenus et bien affûtés risquent moins de se gripper et sont plus faciles à manier.
- **Utiliser l'outil électrique, les accessoires, les grains etc. conformément à ces instructions en tenant compte des conditions de travail et de la tâche à effectuer.** L'utilisation de cet outil électrique pour effectuer une opération pour laquelle il n'est pas conçu peut occasionner une situation dangereuse.

UTILISATION ET ENTRETIEN DE LA BATTERIE

- **Ne recharger la batterie qu'avec le chargeur spécifié par le fabricant.** Un chargeur qui convient à un type de batterie peut créer un risque d'incendie s'il est utilisé avec un autre type de batterie.
- **N'utiliser les outils électriques qu'avec les batteries spécialement conçues pour eux.** L'utilisation de batteries d'autres marques peut créer un risque de blessure et d'incendie.
- **Lorsque la batterie est hors service, la ranger à l'écart d'autres objets métalliques tels que trombones, pièces de monnaie, clés, clous, vis et autres petits objets métalliques qui peuvent établir une connexion d'une borne à l'autre.** Un court-circuit aux bornes de la batterie peut provoquer des brûlures ou un incendie.
- **Du liquide peut être éjecté de la batterie en cas de manutention abusive ; éviter tout contact.** En cas de contact accidentel avec les projections, rincer à l'eau. En cas de contact avec les yeux, consulter un médecin. Le liquide s'échappant de la batterie peut provoquer des irritations ou des brûlures.

ENTRETIEN

- **Faire effectuer l'entretien de l'outil électrique par un technicien qualifié qui n'utilisera que des pièces de rechange identiques.** La sécurité d'utilisation de l'outil en sera préservée.

RÈGLES DE SÉCURITÉ SPÉCIFIQUES

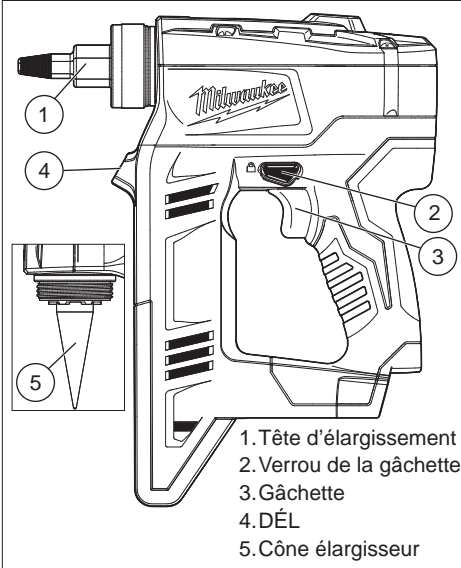
- **Utiliser cet outil seulement pour élargir des matériaux de type PEX A.** D'autres matériaux peuvent se déchirer ou se fissurer, ce qui risque de provoquer des fuites.
- **Ranger l'outil coiffé de la tête d'élargissement pour protéger le cône élargisseur contre les dommages potentiels.**
- **Garder les doigts loin de la tête d'élargissement pendant l'utilisation.** Lorsque la tête d'élargissement se contracte, il y a risque de pincement.
- **Entretenez les étiquettes et marques du fabricant.** Les indications qu'elles contiennent sont précieuses. Si elles deviennent illisibles ou se détachent, faites-les remplacer gratuitement à un centre de service MILWAUKEE accrédité.
- **AVERTISSEMENT :** La poussière dégagée par perçage, sciage et autres travaux de construction contient des substances chimiques reconnues comme pouvant causer le cancer, des malformations congénitales ou d'autres troubles de reproduction. Voici quelques exemples de telles substances :
- **Le plomb contenu dans la peinture au plomb.**
- **Le silice cristalline contenu dans la brique, le béton et divers produits de maçonnerie.**
- **L'arsenic et le chrome servant au traitement chimique du bois.**

Les risques associés à l'exposition à ces substances varient, dépendant de la fréquence des travaux. Afin de minimiser l'exposition à ces substances chimiques, assurez-vous de travailler dans un endroit bien aéré et d'utiliser de l'équipement de sécurité tel un masque antipoussière spécifiquement conçu pour la filtration de particules microscopiques.

SPECIFICATIONS

No de Cat.	Volts CD	Diamètre maximum de PEX-A	Têtes d'élargissement	Lubrifiant
2632-20	18	10 mm (3/8") à 38 mm (1-1/2")	de 10 mm (3/8") à 25 mm (1") ProPEX™ M12™ de MILWAUKEE, de 10 mm (3/8") à 38 mm (1-1/2") ProPEX™ M18™ de MILWAUKEE, standards de Uponor, et "H" de Uponor	Graisse pour cône élargisseur No de cat. 49-08-2400

DESCRIPTION FONCTIONNELLE



1. Tête d'élargissement
2. Verrou de la gâchette
3. Gâchette
4. DÉL
5. Cône élargisseur

PICTOGRAPHIE

n_0 xxxx min. ⁻¹	Tours-minute à vide (RPM)
	Tension CD seul.
	Underwriters Laboratories, Inc. États-Unis et Canada

MONTAGE DE L'OUTIL

AVERTISSEMENT Ne recharger la batterie qu'avec le chargeur spécifié. Pour les instructions de charge spécifiques, lire le manuel d'utilisation fourni avec le chargeur et les batteries.

Insertion/Retrait de la batterie

Pour retirer la batterie, enfoncer les boutons de déverrouillage et la tirer hors de l'outil. Pour insérer la batterie, la glisser dans le corps de l'outil. S'assurer qu'elle est fixée solidement.

Changement de tête d'élargissement

Pour retirer une tête d'élargissement, la dévisser de l'outil dans le sens antihoraire. Pour installer une tête d'élargissement, la visser sur l'outil dans le sens horaire. Serrer solidement à la main. Ne pas serrer excessivement. La tête d'élargissement doit s'ajuster parfaitement sur l'épaulement de l'outil.

MANIEMENT

AVERTISSEMENT Il faut toujours retirer la batterie et verrouiller la détente de l'outil avant de changer ou d'enlever les accessoires. L'emploi d'accessoires autres que ceux qui sont expressément recommandés pour cet outil peut comporter des risques.

AVERTISSEMENT Pour minimiser les risques de blessures, portez des lunettes à coques latérales.

Verrou de la gâchette

Pour verrouiller la gâchette , pousser le verrou de la gâchette à partir du côté gauche de l'outil. La gâchette ne fonctionne pas si l'interrupteur est réglé en position de verrouillage. Verrouiller la gâchette au moment d'entreposer l'outil et lorsqu'il n'est pas utilisé.

Pour déverrouiller la gâchette , pousser le verrou à partir du côté droit de l'outil.

ATTENTION Utiliser seulement des têtes d'élargissement ProPEX™ M18™ de MILWAUKEE ou des têtes d'élargissement standards de Uponor. L'utilisation des têtes d'élargissement de dimension inappropriée peut entraîner de mauvaises connexions, ce qui peut causer des dommages matériels.

Effectuer des connexions de tubage en PEX

Pour assurer une bonne connexion :

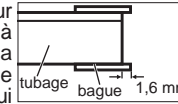
- Retirer la tête d'élargissement et nettoyer la saleté et les débris.
- Utiliser un chiffon non pelucheux propre pour appliquer une mince couche de graisse pour cône élargisseur, No de cat. 49-08-2400, sur le cône élargisseur. Ne pas lubrifier à l'excès.

ATTENTION Une lubrification inappropriée (en trop grande quantité ou en quantité insuffisante) peut entraîner de mauvaises connexions, ce qui peut causer des dommages matériels.

- Ne pas élargir le tubage au-delà de la capacité de l'outil, soit 38 mm (1-1/2").
- Appuyer sur la gâchette et s'assurer que la tête d'élargissement effectue une rotation après chaque cycle lors de l'utilisation des têtes d'élargissement ProPEX™ M18™ de MILWAUKEE.

1. Couper le tubage PEX à la longueur appropriée. Utiliser seulement des coupe-tubes conçus spécialement pour le tubage PEX. S'assurer que la coupe est perpendiculaire à la longueur du tubage.

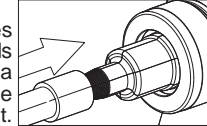
2. Glisser la bague ProPEX™ sur l'extrémité du tubage jusqu'à la butée de la bague. Si la bague ne comporte pas de butée, laisser un surplomb qui n'excède pas 1,6 mm (1/16"). Lors de l'utilisation d'une tête d'élargissement de 10 mm (3/8") ProPEX™, consulter la section «Bagues de 10 mm (3/8") ProPEX™» pour connaître l'assemblage approprié.



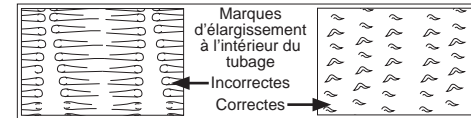
3. Insérer la tête d'élargissement dans le tubage en PEX.

4. Appuyer sur la gâchette. La tête d'élargissement prend de l'expansion, se rétracte et effectue une rotation à chaque cycle.

NOTE : Lorsque des têtes d'élargissement standards Uponor sont utilisées, la tête n'effectue PAS de rotation automatiquement. Chaque fois que les segments se contractent, pousser doucement le tubage vers le haut de la tête d'élargissement et effectuer une rotation de 1/8 de tour dans l'une ou l'autre des directions.



ATTENTION Lors de l'utilisation des têtes d'élargissement standards de Uponor, effectuer la rotation appropriée du tubage après chaque élargissement afin de créer des marques d'élargissement uniformes et lisses. Ne pas effectuer de rotation peut se solder par de profondes rainures dans le tubage et par de mauvaises connexions, qui peuvent causer des fuites et des dommages matériels.



Taille de la bague	Nombre d'élargissements avec bague*
3/8"	5
1/2"	9
5/8"	9
3/4"	10
1"	19
1" H	7
1 1/4" H	9
1 1/2" H	10

* Il peut être nécessaire d'effectuer plus ou moins d'élargissements, selon les conditions météorologiques et la technique.

5. Continuer jusqu'à ce que le tubage affleure l'épaulement de la tête d'élargissement. Effectuer un à quatre élargissements, selon la température ambiante (plus la température est chaude, plus il est nécessaire de procéder à des élargissements).

6. Retirer le tubage lorsque les segments sont contractés et relâcher la gâchette. Afin d'éviter un élargissement excessif du tubage, ne pas laisser l'outil en position d'élargissement lorsque le tubage est en place.

7. Essuyer l'excédent de graisse se trouvant à l'intérieur du tubage.

8. Glisser le tubage sur le raccord jusqu'à ce qu'il soit à égalité avec l'épaulement du raccord. Il se peut que la connexion soit serrée. S'il n'est pas possible de glisser le tubage sur le raccord, le retirer du raccord et l'élargir une fois de plus.

9. Le tubage devrait être serré sur l'épaulement du raccord. S'il y a un jeu de plus de 1,6 mm (1/16") entre le tubage et l'épaulement, couper 50 mm (2") à l'extrémité du tubage et recommencer la procédure avec une nouvelle bague ProPEXMD.

Bagues de 10 mm (3/8") ProPEX™

Les bagues de 10 mm (3/8") ProPEX™ ne se raccordent pas aux tubages de 10 mm (3/8") sans que la bague soit élargie séparément.

1. Placer la bague ProPEX™ sur la tête d'élargissement et appuyer sur la gâchette pour élargir la bague une fois.

2. Retirer la bague.

3. Faire pivoter la bague.

4. Placer la bague sur la tête d'élargissement et appuyer sur la gâchette pour élargir de nouveau la bague.

5. Retirer la bague immédiatement et la glisser sur le tubage.

NOTE : Les bagues de 10 mm (3/8") ProPEX™ se rétractent plus rapidement que celles d'autres dimensions.

6. Passer à l'étape 3 de la section « Effectuer des connexions de tubage en PEX ».

Utilisation par temps froid

Une température froide (< 4°C/40°F) requiert une durée de contraction plus longue et moins d'élargissements. Ne pas effectuer de connexions ProPEX™ à des températures inférieures à -15°C (5°F).

Solutions aux problèmes de connexions ProPEX™

Si les raccords ne se scellent pas, rechercher ce qui suit :

- La tête d'élargissement est vissée insuffisamment serrée. Visser la tête solidement.
- Les segments de la tête d'élargissement sont tordus ou mal alignés. Remplacer la tête d'élargissement.
- Les segments de la tête d'élargissement ne se contractent pas entre les élargissements. Nettoyer et lubrifier de nouveau.
- Le cône élargisseur est trop ou insuffisamment lubrifié. Nettoyer et lubrifier de nouveau.
- Le raccord est endommagé. Remplacer le raccord.
- Le cône élargisseur est tordu ou endommagé. Le retourner au centre de service de MILWAUKEE aux fins de réparation.
- La tête d'élargissement fut maintenue dans la position d'élargissement avant que le tubage soit retiré. Couper 50 mm (2") du tubage et recommencer la procédure.

ENTRETIEN

AVERTISSEMENT Pour minimiser les risques de blessures corporelles, débranchez le chargeur et retirez la batterie du chargeur ou de l'outil avant d'y effectuer des travaux d'entretien. Ne démontez jamais l'outil, la batterie ou le chargeur. Pour toute réparation, consultez un centre de service MILWAUKEE accrédité.

Entretien de l'outil

Gardez l'outil, la batterie et le chargeur en bon état en adoptant un programme d'entretien ponctuel.

Tous les mois :

- Retirer la tête d'élargissement et la faire tremper dans un dégraissant pour retirer la graisse d'entre les segments d'élargissement.
- Essuyer le cône élargisseur au moyen d'un chiffon non pelucheux propre et sec. Lubrifier de nouveau.

Après une période de six mois à un an, selon l'utilisation, renvoyez l'outil, la batterie et le chargeur à un centre de service MILWAUKEE accrédité pour les services suivants :

- Lubrification
- Inspection et nettoyage de la mécanique (engrenages, pivots, coussinets, boîtier etc.)
- Inspection électrique (batterie, chargeur, moteur)
- Vérification du fonctionnement électromécanique

Si l'outil ne démarre pas ou ne fonctionne pas à pleine puissance alors qu'il est branché sur une batterie complètement chargée, nettoyez les points de contact entre la batterie et l'outil. Si l'outil ne fonctionne toujours pas correctement, renvoyez l'outil, le chargeur et la batterie à un centre de service MILWAUKEE accrédité, afin qu'on en effectue la réparation (voir "Réparations").

- Une rotation du tubage ne fut pas effectuée après chaque élargissement lorsqu'une tête d'élargissement standard de Uponor était utilisée. Couper 50 mm (2") du tubage et recommencer la procédure.
- Le tubage et la bague ProPEX™ ne sont pas propres et secs. Les assécher.
- La graisse s'infiltre dans le tubage par la tête d'élargissement. Essuyer la graisse du tubage. Nettoyer et lubrifier de nouveau la tête d'élargissement.

Si la bague ProPEX™ glisse pendant l'élargissement :

- Le tubage et la bague ProPEX™ ne sont pas propres et secs. Les assécher.
- Vos mains ne sont pas propres et sèches. Les essuyer — l'huile sur vos mains peut lubrifier le tubage et la bague ProPEX™.
- La bague n'est pas maintenue en place. Mettre le pouce sur la bague et la maintenir en place pendant les deux premiers élargissements.

AVERTISSEMENT Pour minimiser les risques de blessures ou de dommages à l'outil, n'immergez jamais l'outil, la batterie ou le chargeur et ne laissez pas de liquide s'y infiltrer.

Nettoyage

Débarrassez les événements du chargeur et de l'outil des débris et de la poussière. Gardez les poignées de l'outil propres, à sec et exemptes d'huile ou de graisse. Le nettoyage de l'outil, du chargeur et de la batterie doit se faire avec un linge humide et un savon doux. Certains nettoyants tels l'essence, la térébenthine, les diluants à laque ou à peinture, les solvants chlorés, l'ammoniaque et les détergents d'usage domestique qui en contiennent pourraient détériorer le plastique et l'isolation des pièces. Ne laissez jamais de solvants inflammables ou combustibles auprès de l'outil.

Réparations

Pour les réparations, retournez outil, batterie et chargeur en entier au centre-service le plus près.

ACCESSOIRES

AVERTISSEMENT Retirez toujours la batterie avant de changer ou d'enlever les accessoires. L'utilisation d'autres accessoires que ceux qui sont spécifiquement recommandés pour cet outil peut comporter des risques.

Pour une liste complète des accessoires, prière de se reporter au catalogue MILWAUKEE Electric Tool ou visiter le site internet www.milwaukeeetool.com. Pour obtenir un catalogue, il suffit de contacter votre distributeur local ou l'un des centres-service.

GARANTIE LIMITÉE - AUX ÉTATS-UNIS ET AU CANADA

Chaque outil électrique MILWAUKEE (y compris les produits sans fil [outils, piles, chargeur de piles, lampe de travail], consulter les énoncés de la GARANTIE LIMITÉE DES BLOCS-PILES SANS FIL) est garanti à l'acheteur d'origine être exempt de vice de matériau et de fabrication. Sous réserve de certaines exceptions, MILWAUKEE réparera ou remplacera toute pièce d'un outil électrique qui, après examen par MILWAUKEE, s'est avérée être affectée d'un vice de matériau ou de fabrication pendant une période de cinq (5) ans* après la date d'achat, sauf indication contraire. Retourner l'outil électrique, à un centre de réparations en usine MILWAUKEE ou à un poste d'entretien agréé MILWAUKEE, en port pré-payé et assuré. Une copie de la preuve d'achat doit être présentée au moment de retourner le produit. Cette garantie ne couvre pas les dommages que MILWAUKEE détermine être causés par des réparations ou des tentatives de réparation par quiconque autre que le personnel agréé par MILWAUKEE, des utilisations incorrectes, des altérations, des utilisations abusives, une usure normale, une carence d'entretien ou des accidents.

*La période de garantie applicable pour les radios de chantier, le port d'alimentation M12™ et les chariots de travail industriels Trade Titan™ est d'une durée d'un (1) an à partir de la date d'achat. La période de la garantie couvrant la lampe de travail à DEL et l'ampoule améliorée à DEL est une garantie à vie limitée à l'acheteur d'origine seulement; si, lors d'une utilisation normale, l'ampoule à DEL présente une défectuosité, la lampe de travail et l'ampoule seront remplacées sans frais.

*Cette garantie ne s'applique pas aux cloueuses-agrafeuses pneumatiques, aux pulvérisateurs à peinture sans air, aux blocs piles pour outils sans fil, aux génératrices d'alimentation portatives à essence, aux outils à main, aux monte-charge — électrique, à levier et à chaîne (manuel), aux vestes chauffantes M12™, aux produits réusinés, ni aux produits d'essai et de mesure. Il existe des garanties distinctes pour ces produits.

L'enregistrement de la garantie n'est pas nécessaire pour bénéficier de la garantie en vigueur sur un outil électrique MILWAUKEE. La date de fabrication du produit servira à établir la période de garantie si aucune preuve d'achat n'est fournie lorsqu'une demande de service sous garantie est présentée.

L'ACCEPTATION DES RECOURS EXCLUSIFS DE RÉPARATION ET DE REMPLACEMENT DÉCRITS AUX PRÉSENTES EST UNE CONDITION DU CONTRAT D'ACHAT DE TOUT PRODUIT MILWAUKEE. SI VOUS N'ACCEPTÉZ PAS CETTE CONDITION, VOUS NE DEVEZ PAS ACHETER LE PRODUIT. EN AUCUN CAS MILWAUKEE NE SAURAIT ÊTRE RESPONSABLE DE TOUT DOMMAGE ACCESSOIRE, SPÉCIAL OU INDIRECT, DE DOMMAGES-INTÉRÊTS PUNITIFS OU DE TOUTE DÉPENSE, D'HONORAIRES D'AVOCATS, DE FRAIS, DE PERTE OU DE DÉLAIS ACCESSOIRES À TOUT DOMMAGE, DÉFAILLANCE OU DÉFAUT DE TOUT PRODUIT, Y COMPRIS NOTAMMENT LES PERTES DE PROFIT. CERTAINS ÉTATS ET PROVINCES NE PERMETTANT PAS L'EXCLUSION OU LA LIMITATION DES DOMMAGES DIRECTS OU INDIRECTS, LES RESTRICTIONS CI-DESSUS PEUVENT NE PAS ÊTRE APPLICABLES. CETTE GARANTIE EST EXCLUSIVE ET REMPLACE TOUTE AUTRE GARANTIE EXPRESSE, QU'ELLE SOIT ORALE OU ÉCRITE. DANS LA MESURE PERMISE PAR LA LOI, MILWAUKEE RENONCE À TOUTE GARANTIE IMPLICITE, Y COMPRIS, SANS S'Y LIMITER, TOUTE GARANTIE IMPLICITE DE QUALITÉ MARCHANDE OU D'ADAPTATION À UNE UTILISATION OU À UNE FIN PARTICULIÈRE. DANS LA MESURE OÙ UNE TELLE STIPULATION D'EXONÉRATION N'EST PAS PERMISE PAR LA LOI, LA DURÉE DE CES GARANTIES IMPLICITES EST LIMITÉE À LA PÉRIODE APPLICABLE DE LA GARANTIE EXPRESSE, TEL QUE DÉCRIT PRÉCÉDEMMENT. CERTAINS ÉTATS ET PROVINCES NE PERMETTANT PAS DE LIMITATION DE DURÉE DES GARANTIES IMPLICITES, LES RESTRICTIONS CI-DESSUS PEUVENT NE PAS ÊTRE APPLICABLES. LA PRÉSENTE CONFÈRE À L'UTILISATEUR DES DROITS LÉGAUX PARTICULIERS; IL BÉNÉFICIE ÉGALEMENT D'AUTRES DROITS QUI VARIENT D'UN ÉTAT À L'AUTRE.

Cette garantie s'applique aux produits vendus aux États-Unis et au Canada uniquement. Veuillez consulter la rubrique Centre SAV MILWAUKEE, dans la section Pièces & Service du site Web de MILWAUKEE, à l'adresse www.milwaukeeetool.com, ou composer le 1-800-SAWDUST (1-800-729-3878) afin de trouver le centre de réparations en usine MILWAUKEE le plus près.

GARANTIE LIMITÉE - MEXIQUE, AMÉRIQUE CENTRALE ET CARAÏBES

TECHTRONIC INDUSTRIES' garantit le produit pendant cinq ans à partir de la date d'achat d'origine. Le présent bon de garantie couvre tous les vices de matériau et de fabrication qui peut afficher cet outil électrique. Pour assurer la validité de la présente garantie, veuillez présenter le bon de commande, estampillé du sceau du distributeur ou du magasin où le produit a été acheté, au centre de réparations agréé. Si le bon de commande n'a pas été estampillé, veuillez fournir la preuve d'achat d'origine au centre de réparations agréé. Pour un entretien, des pièces, des accessoires ou d'autres composants, composer sans frais le 1-800-832-1949 afin d'obtenir les coordonnées du centre de réparations agréé le plus près.

Procédure pour assurer la validité de la garantie

Présenter le produit au centre de réparations agréé, accompagné du bon de commande estampillé du sceau du distributeur ou du magasin où le produit a été acheté. Toute pièce défectueuse ou tout composant défectueux sera remplacé sans frais. Milwaukee assume tous les frais de transport liés à ce processus de garantie.

Exceptions

La garantie ne s'applique pas dans les situations suivantes :

- a) Si le produit a été utilisé pour une fin autre que celle indiquée dans le guide de l'utilisateur final ou le manuel d'instructions.
 - b) Si les conditions d'utilisation ne sont pas habituelles.
 - c) Si le produit a été modifié ou réparé par une personne non autorisée par TECHTRONIC INDUSTRIES.
- Note : Si le cordon électrique est endommagé, il doit être remplacé par un centre de réparations agréé pour éviter les risques d'électrocution.

Modèle : _____

Date d'achat : _____

Sceau du distributeur ou du magasin : _____

CENTRE DE RÉPARATIONS ET DE SERVICE
Rafael Buelna No.1.
Col. Tezozomoc Mexico, Azcapotzalco D.F.
Ph. 01 800 832 1949

IMPORTÉ ET COMMERCIALISÉ PAR :
TECHTRONIC INDUSTRIES MEXICO, S.A. DE C.V.
Av. Santa Fe 481 piso 6, Col. Curz Manca.
CP 05349, Cuajimalpa, D.F.

ADVERTENCIAS DE SEGURIDAD GENERALES PARA LA HERRAMIENTA ELÉCTRICA

ADVERTENCIA LEA TODAS LAS ADVERTENCIAS E INSTRUCCIONES DE SEGURIDAD. Si no sigue todas las advertencias e instrucciones, se pueden provocar una descarga eléctrica, un incendio o lesiones graves.

Guarde todas las advertencias e instrucciones para consultarlas en el futuro. El término "herramienta eléctrica" en todas las advertencias incluidas más abajo se refiere a su herramienta operada por conexión (cable) a la red eléctrica o por medio de una batería (inalámbrica).

SEGURIDAD EN EL ÁREA DE TRABAJO

- Mantenga limpia y bien iluminada el área de trabajo. Las áreas desordenadas u oscuras contribuyen a que se produzcan accidentes.
- No utilice herramientas eléctricas en atmósferas explosivas, como en la presencia de líquidos, gases o polvo inflamables. Las herramientas eléctricas crean chispas que pueden incendiar el polvo o las emanaciones.
- Mantenga a los niños y otras personas alejadas mientras utiliza una herramienta eléctrica. Las distracciones pueden hacerle perder el control.

SEGURIDAD ELÉCTRICA

- Los enchufes de las herramientas eléctricas deben ser del mismo tipo que el tomacorrientes. Nunca realice ningún tipo de modificación en el enchufe. No use enchufes adaptadores con herramientas eléctricas con conexión a tierra. Se reducirá el riesgo de descarga eléctrica si no se modifican los enchufes y los tomacorrientes son del mismo tipo.
- Evite el contacto corporal con superficies con conexión a tierra, como tuberías, radiadores, estufas y refrigeradores. El riesgo de descarga eléctrica aumenta si su cuerpo está conectado a tierra.
- No exponga la herramientas eléctricas a la lluvia o a condiciones de humedad. El agua que entra en una herramienta eléctrica aumenta el riesgo de descarga eléctrica.
- No abuse del cable. Nunca use el cable para transportar la herramienta eléctrica, tirar de ella o desenchufarla. Mantenga el cable alejado del calor, los bordes afilados o las piezas en movimiento. Los cables dañados o enmarañados aumentan el riesgo de descarga eléctrica.
- Cuando se utiliza una herramienta eléctrica en el exterior, use una extensión que sea apropiada para uso en el exterior. El uso de un cable apropiado para el exterior reduce el riesgo de descarga eléctrica.
- Si debe operar una herramienta eléctrica en un lugar húmedo, utilice un suministro protegido por un dispositivo de corriente residual (RCD). Usar un RCD reduce el riesgo de que se produzcan descargas eléctricas.

SEGURIDAD PERSONAL

- Manténgase alerta, ponga cuidado a lo que está haciendo y use el sentido común cuando utilice una herramienta eléctrica. No use una herramienta eléctrica cuando está cansado o bajo la influencia de drogas, alcohol o medicinas.

Despistarse un minuto cuando se utiliza una herramienta eléctrica puede tener como resultado lesiones personales graves.

- Use un equipo de protección personal. Lleve siempre protección ocular. Llevar un equipo de protección apropiado para la situación, como una máscara antipolvo, zapatos de seguridad antidislizantes, un casco o protección auditiva, reducirá las lesiones personales.
- Evite el encendido accidental. Asegúrese de que el interruptor esté en la posición de apagado antes de conectarlo a la toma de alimentación o a la batería, al levantar o mover la herramienta. Mover herramientas con el dedo en el interruptor o enchufarlas con el interruptor en la posición de encendido contribuye a que se produzcan accidentes.
- Quite todas las llaves de ajuste antes de encender la herramienta. Una llave que esté acoplada a una pieza giratoria de la herramienta puede provocar lesiones personales.
- No se estire demasiado. Mantenga los pies bien asentados y el equilibrio en todo momento. Esto permite tener mejor control de la herramienta eléctrica en situaciones inesperadas.
- Vístase de manera apropiada. No lleve ropa suelta ni joyas. Mantenga el cabello, la ropa y los guantes lejos de las piezas en movimiento. La ropa floja, las joyas o el cabello largo pueden quedar atrapados en las piezas en movimiento.
- Si se proporcionan dispositivos para la conexión de sistemas de recolección y extracción de polvo, asegúrese de que estén conectados y se usen apropiadamente. El uso de estos dispositivos puede reducir los peligros relacionados con el polvo.

USO Y CUIDADO DE LAS HERRAMIENTAS ELÉCTRICAS

- No fuerce la herramienta eléctrica. Use la herramienta eléctrica correcta para la aplicación. La herramienta eléctrica correcta funcionará mejor y de manera más segura a la velocidad para la que se diseñó.
- No use la herramienta eléctrica si el interruptor no la enciende ni la apaga. Cualquier herramienta eléctrica que no se pueda controlar con el interruptor es peligrosa y se debe reparar.
- Desconecte el enchufe de la toma de alimentación y/o la batería de la herramienta eléctrica antes de realizar cualquier ajuste, cambiar accesorios o almacenar las herramientas eléctricas. Dichas medidas preventivas de seguridad reducen el riesgo de que la herramienta se prenda accidentalmente.

- Almacene las herramientas eléctricas fuera del alcance de los niños y no permita que personas no familiarizadas con ellas o estas instrucciones las utilicen. Las herramientas eléctricas son peligrosas en las manos de usuarios no capacitados.
- Mantenimiento de las herramientas eléctricas. Revise que no haya piezas móviles que estén desalineadas o que se atasquen, piezas rotas ni ninguna otra condición que pueda afectar el funcionamiento de la herramienta eléctrica. Si se encuentran daños, haga que le reparen la herramienta antes de usarla. Las herramientas mal mantenidas son la causa de muchos accidentes.
- Mantenga las herramientas de corte limpias y afiladas. Es menos probable que se atasquen las herramientas de corte con filos afilados que se mantienen de manera apropiada y también son más fáciles de controlar.
- Use la herramienta eléctrica, los accesorios, las brocas, etc. siguiendo estas instrucciones, teniendo en cuenta las condiciones de trabajo y la tarea que se va a realizar. El uso de la herramienta eléctrica para operaciones diferentes de aquellas para las que se diseñó podría originar una situación peligrosa.

USO Y CUIDADO DE LAS HERRAMIENTAS CON BATERÍA

- Recárguela solamente con el cargador especificado por el fabricante. Un cargador que sea apropiado para un tipo de batería puede crear riesgo de incendio cuando se use con otra batería.
- Use las herramientas eléctricas solamente con baterías específicamente diseñadas. El uso de cualquier otro tipo de batería puede crear riesgo de lesiones o incendio.
- Cuando no se use la batería manténgala alejada de otros objetos de metal como clips para papel, monedas, llaves, clavos, tornillos u otros objetos de metal pequeños que puedan realizar una conexión entre los bornes. Realizar un cortacircuito en los terminales de la batería puede provocar quemaduras o un incendio.
- Bajo condiciones abusivas, puede salir líquido expulsado de la batería; evitar el contacto. Si se produce un contacto accidental, lavar con agua. Si el líquido entra en contacto con los ojos buscar ayuda médica adicional. El líquido que sale despedido de la batería puede causar irritaciones o quemaduras.



MANTENIMIENTO

- Haga que un técnico calificado realice el mantenimiento de la herramienta eléctrica utilizando solamente piezas de repuesto idénticas. Esto asegurará que se mantiene la seguridad de la herramienta eléctrica.

REGLAS ESPECÍFICAS DE SEGURIDAD

- Emplee la herramienta únicamente para realizar expansiones del material de polietileno reticulado por peróxido (PEX-a). Otros materiales pueden partirse o rasgarse y provocar pérdidas.
- Guarde la herramienta con el cabezal extensor instalado para evitar daños en el cono extensor.
- Mantenga los dedos alejados del cabezal extensor mientras lo usa. Cuando el cabezal extensor se contrae, puede sufrir pellizcos.
- Guarde las etiquetas y placas de especificaciones. Estas tienen información importante. Si son ilegibles o si no se pueden encontrar, póngase en contacto con un centro de servicio de MILWAUKEE para una refacción gratis.
- ADVERTENCIA: Algunas partículas de polvo resultantes del lijado mecánico, aserrado, esmerilado, taladrado y otras actividades relacionadas a la construcción, contienen sustancias químicas que se saben ocasionan cáncer, defectos congénitos u otros daños al aparato reproductivo. A continuación se citan algunos ejemplos de tales sustancias químicas:
 - plomo proveniente de pinturas con base de plomo
 - sílice cristalino proveniente de ladrillos, cemento y otros productos de albañilería y
 - arsénico y cromo provenientes de madera químicamente tratada.
 El riesgo que usted sufre debido a la exposición varía dependiendo de la frecuencia con la que usted realiza estas tareas. Para reducir la exposición a estas sustancias químicas: trabaje en un área bien ventilada, y utilice equipo de seguridad aprobado como, por ejemplo, máscaras contra el polvo que hayan sido específicamente diseñadas para filtrar partículas microscópicas.

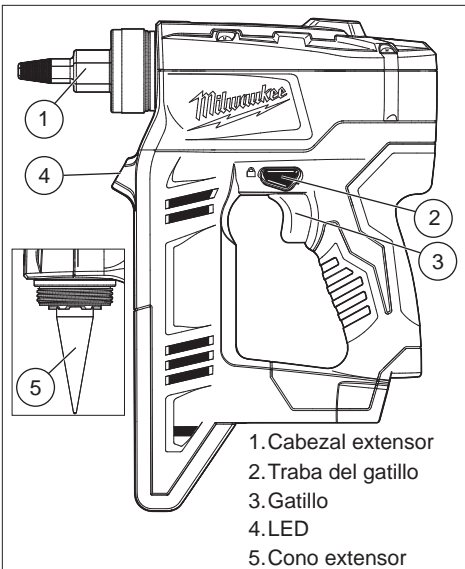
SIMBOLOGÍA

n_0 XXXXmin. ⁻¹	Revoluciones por minuto sin carga (RPM)
	Volts corriente directa
	Underwriters Laboratories, Inc., Estados Unidos y Canadá

ESPECIFICACIONES

Cat. No.	Volts cd	Diámetro máx. de PEX-A	Cabezales extensores	Lubricante
2632-20	18	10 mm (3/8") a 38 mm (1-1/2")	MILWAUKEE M12™ ProPEX™ de 10 mm a 25 mm (3/8" a 1"), MILWAUKEE M18™ ProPEX™ de 10 mm (3/8") a 38 mm (1-1/2"), Uponor estándar, y Uponor "H"	Grasa para cono extensor Cat.No. 49-08-2400

DESCRIPCIÓN FUNCIONAL



1. Cabezal extensor
2. Traba del gatillo
3. Gatillo
4. LED
5. Cono extensor

ENSAMBLAJE

ADVERTENCIA Recargue la batería sólo con el cargador especificado para ella. Para instrucciones específicas sobre cómo cargar, lea el manual del operador suministrado con su cargador y la batería.

Como se inserta/quita la batería en la herramienta

Para retirar la batería, presione los botones de liberación y jale de la batería para sacarla de la herramienta.

Para introducir la batería, deslícela en el cuerpo de la herramienta. Asegúrese de que quede bien firme en su posición.

Cambio de los cabezales extensores

Para extraer un cabezal extensor, desenrosquele del la herramienta girando en sentido antihorario. Para instalar un cabezal extensor, enrosquele en la herramienta girando en sentido horario. Ajuste a mano firmemente. No ajuste excesivamente. El cabezal extensor debe ajustarse correctamente contra el resalto de la herramienta.

OPERACION

ADVERTENCIA Para reducir el riesgo de lesiones, extraiga siempre la batería antes de acoplar o desacoplar accesorios. Utilice únicamente accesorios específicamente recomendados para esta herramienta. El uso de accesorios no recomendados podría resultar peligroso.

ADVERTENCIA Para reducir el riesgo de lesiones, use siempre lentes de seguridad o anteojos con protectores laterales.

Traba del gatillo

Para **trabar** el gatillo , presione la traba de éste en el lado izquierdo de la herramienta. El gatillo no funcionará mientras el interruptor esté en la posición trabada. Trabe el gatillo cuando se almacene la herramienta y cuando la herramienta no se esté usando.

Para **destrabar** el gatillo , presione la traba de éste en el lado derecho de la herramienta.

PRECAUCIÓN Emplee sólo los cabezales extensores estándar Uponor o MILWAUKEE M18™ ProPEX™. Si se emplean cabezales de expansión con un tamaño incorrecto, pueden efectuarse conexiones defectuosas y generarse daños a la propiedad.

Conexiones de los tubos de polietileno reticulado (PEX)

Para garantizar una conexión adecuada:

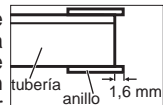
- Retire el cabezal extensor y elimine por completo la suciedad y los residuos.
- Emplee un paño limpio sin pelusas para aplicar una capa delgada de grasa para cono extensor MILWAUKEE, Cat. No. 49-08-2400, a dicho cono. No lubrique excesivamente.

PRECAUCIÓN Si no se realiza una lubricación correcta (excesiva o insuficiente), pueden efectuarse conexiones defectuosas y provocarse daños a la propiedad.

- No expanda la tubería a niveles que superen la capacidad de la herramienta (38 mm [1-1/2"]).
- Presione el gatillo y verifique que el cabezal extensor gire luego de cada ciclo cuando emplee los cabezales extensores MILWAUKEE M18™ ProPEX™.

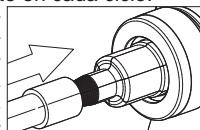
1. Corte la tubería PEX según la longitud necesaria. Emplee sólo los cortadores diseñados para las tuberías PEX. Asegúrese de realizar el corte de manera perpendicular a la longitud de la tubería.

2. Deslice el anillo ProPEX™ sobre el extremo de la tubería hasta que toque fondo en el tope de anillo. Si el anillo no tiene un tope, deje una saliente menor de 1,6 mm (1/16"). Cuando emplee ProPEX™ de 10 mm (3/8"), consulte Anillos ProPEX™ de 10 mm (3/8") para lograr un montaje adecuado.

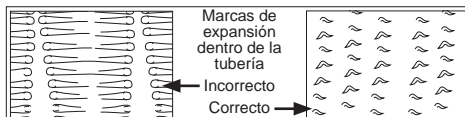


- 3 Inserte el cabezal extensor en la tubería PEX.
- 4 Pulse el gatillo. El cabezal extensor se expandirá, retraerá y girará levemente en cada ciclo.

NOTA: Cuando se emplean los cabezales extensores estándar Uponor, el cabezal NO girará automáticamente. Cada vez que los segmentos se contraen, eleve lentamente la tubería e introdúzcala en el cabezal extensor y realice 1/8 de vuelta en cualquier dirección.



PRECAUCIÓN Cuando se emplean los cabezales extensores estándar Uponor, gire correctamente la tubería luego de realizar cada expansión para crear marcas de expansión parejas y prolifas. Si no gira la tubería, pueden generarse ranuras profundas y conexiones defectuosas, y, a su vez, fugas y daños a la propiedad.



Tamaño del anillo	Cantidad de expansiones con anillo*
3/8"	5
1/2"	9
5/8"	9
3/4"	10
1"	19
1" H	7
1 1/4" H	9
1 1/2" H	10

* Quizás se necesitan más o menos expansiones dependiendo del clima y la técnica.

- 5 Continúe hasta que la tubería quede a la misma altura que el hombro del cabezal de expansión. Luego extiéndalo 1 a 4 veces más, según la temperatura ambiente (cuando la temperatura es más alta se requieren más expansiones).
- 6 Retire la tubería cuando los segmentos se contraigan y suelte el gatillo. Para evitar que la tubería se expanda excesivamente, no mantenga la herramienta en la posición expandida mientras la tubería está en su lugar.
- 7 Limpie el exceso de grasa de la parte interna de la tubería.
- 8 Deslice la tubería sobre el conector hasta que se alinee al ras con el resalto del conector. La conexión puede estar ajustada. Si no puede deslizar la tubería por el conector, retírela del conector y realice otra expansión.
- 9 La tubería debe ajustarse de manera apretada contra el resalto del conector. Si se registra un espacio superior a los 1,6 mm (1/16") entre la tubería y el resalto, corte 50 mm (2") del extremo de la tubería y vuelva a iniciar el procedimiento con un nuevo de anillo ProPEX™.

Anillos ProPEX™ de 10 mm (3/8")

Los anillos ProPEX™ de 10 mm (3/8") no calzan en las tuberías de 10 mm (3/8") si no se expande el anillo de manera separada.

1. Coloque el anillo ProPEX™ en el cabezal extensor y tire del anillo para expandir el anillo una vez.
2. Retire el anillo.
3. Dé vuelta el anillo.
4. Coloque el anillo en el cabezal extensor y tire del anillo para expandir el anillo una vez más.
5. Retire el anillo de inmediato y deslícelo por la tubería.

NOTA: Los anillos ProPEX™ de 10 mm (3/8") se contraen más rápidamente que otros anillos ajustables.

6. Continúe con el paso 3 de "Conexiones de los tubos de polietileno reticulado (PEX)"

Uso en climas fríos

Los climas más fríos (< 4°C/40°F) requieren un tiempo de contracción más prolongado y una menor cantidad de expansiones. No realice conexiones ProPEX™ en temperaturas inferiores a los -15°C (5°F).

Resolución de problemas en las conexiones ProPEX™

Si los conectores no sellan, realice estos controles:

- ¿El cabezal extensor está enroscado correctamente? Apriete bien el cabezal.
- ¿Los segmentos del cabezal extensor están doblados o desalineados? Reemplace el cabezal extensor.
- ¿Los segmentos del cabezal extensor tienen problemas para contraerse entre las expansiones? Limpie y vuelva a lubricar.
- ¿El cono extensor tiene una lubricación excesiva o insuficiente? Limpie y vuelva a lubricar.
- ¿El conector está dañado? Reemplace el conector.
- ¿El cono extensor está doblado o dañado? Envíe a un centro de servicio MILWAUKEE para realizar reparaciones.
- ¿El cabezal extensor se encontraba en la posición expandida antes de retirar la tubería? Corte 50 mm (2") de la tubería y vuelva a iniciar el proceso.
- ¿La tubería giraba levemente luego de realizar cada expansión al emplear un cabezal extensor? Corte 50 mm (2") de la tubería y vuelva a iniciar el proceso.
- ¿El anillo ProPEX™ y la tubería están limpias y secas? Seque y limpie con un paño.
- ¿La grasa se introduce en la tubería desde el cabezal extensor? Limpie la grasa de la tubería. Limpie y vuelva a lubricar el cabezal extensor.

Si el anillo ProPEX™ se desliza durante la expansión:

- ¿El anillo ProPEX™ y la tubería están limpias y secas? Limpie con un paño.
- ¿Tiene las manos secas y limpias? Séquelas y límpielas con un paño. El aceite de las manos puede lubricar el anillo ProPEX™ y la tubería.
- ¿Está sosteniendo el anillo en su posición? Coloque el pulgar contra el anillo y sosténgalo en su posición durante las primeras expansiones.

MANTENIMIENTO

⚠ ADVERTENCIA Para reducir el riesgo de una lesión, desconecte siempre la herramienta antes de darle cualquier mantenimiento. Nunca desarme la herramienta ni trate de hacer modificaciones en el sistema eléctrico de la misma. Acuda siempre a un Centro de Servicio MILWAUKEE para TODAS las reparaciones.

Mantenimiento de la herramienta

Adopte un programa regular de mantenimiento y mantenga sus baterías y cargador en buenas condiciones.

Todos los meses:

- Retire el cabezal extensor y remójele en agente desengrasador para eliminar la grasa de las secciones ubicadas entre los segmentos extensores.

- Pase un paño limpio, seco y sin pelusas por el cono extensor. Vuelva a lubricar.

Después de 6 meses a un año, dependiendo del uso dado, envíe su herramienta, batería y cargador, al Centro de Servicio MILWAUKEE más cercano para que le hagan:

- Lubricación
- Inspección mecánica y limpieza (engranes, flechas, baleros, carcaza, etc.)
- Inspección eléctrica (batería, cargador, motor)
- Probarla para asegurar una adecuada operación mecánica y eléctrica

Si la herramienta no arranca u opera a toda su potencia con una batería completamente cargada, limpie, con una goma o borrador, los contactos de la batería y de la herramienta. Si aun así la herramienta no trabaja correctamente, regrésela, con el cargador y la batería, a un centro de servicio MILWAUKEE para que sea reparada.

⚠ ADVERTENCIA Para reducir el riesgo de una explosión, no quemé nunca una batería, aun si está dañada, "muerta" o completamente descargada.

Limpieza

Limpie el polvo y suciedad de las ventilas del cargador y la herramienta. Mantenga los mangos y empuñaduras limpios, secos y libres de aceite o grasa. Use solo jabón neutro y un trapo húmedo para limpiar la herramienta, batería y el cargador, ya que algunos substancias y solventes limpiadores son dañinos a los plásticos y partes aislantes. Algunos de estos incluyen: gasolina, turpentina, thinner, lacas, thinner para pinturas, solventes para limpieza con cloro, amoníaco y detergentes caseros que tengan amonía. Nunca use solventes inflamables o combustibles cerca de una herramienta.

Reparaciones

Si su herramienta, batería o cargador están dañados, envíela al centro de servicio más cercano.

ACCESORIOS

⚠ ADVERTENCIA Para reducir el riesgo de lesiones, siempre extraiga la batería antes de cambiar o retirar accesorios. Utilice únicamente accesorios específicamente recomendados para esta herramienta. El uso de accesorios no recomendados podría resultar peligroso.

Para una lista completa de accesorios, refiérase a su catálogo MILWAUKEE Electric Tool o visite nuestro sitio en Internet: www.milwaukeetool.com. Para obtener un catálogo, contacte su distribuidor local o uno de los centros de servicio.

GARANTÍA LIMITADA - E.U.A. Y CANADÁ

Se garantiza al comprador original que ninguna de las herramientas eléctricas MILWAUKEE (incluido el producto inalámbrico, la herramienta y las baterías; consulte las declaraciones distintas y por separado en GARANTÍA LIMITADA DEL PAQUETE DE BATERÍAS INALÁMBRICAS y de las luces de trabajo y del cargador de baterías) presentan defectos en material ni en mano de obra. En un plazo de cinco (5) años* a partir de la fecha de compra y sujeto a ciertas excepciones, MILWAUKEE reparará o reemplazará cualquier parte de una herramienta eléctrica que, luego de ser examinada, MILWAUKEE compruebe que presenta defectos en material o mano de obra, a menos que se indique lo contrario. Se requiere la devolución de la herramienta eléctrica a un centro de mantenimiento de la fábrica MILWAUKEE o a un centro de reparaciones autorizado por MILWAUKEE, con gastos de envío prepagados y asegurados. La devolución del producto debe estar acompañada por un comprobante de compra. Esta garantía no se aplica a los daños que MILWAUKEE establece que fueron ocasionados por reparaciones o intentos de reparación por parte de personal no autorizado por MILWAUKEE, uso indebido, alteraciones, abuso, desgaste y deterioro normal, falta de mantenimiento o accidentes.

*El período de garantía de las radios para obras, del puerto de alimentación M12™ y de las carretillas de trabajo industrial Trade Titan™ es de un (1) año a partir de la fecha de compra. El período de garantía de la lámpara de trabajo con diodo luminiscente y del foco mejorado con diodo luminiscente es una garantía VITALICIA limitada para el comprador original únicamente. Si durante el uso normal el foco de diodo luminiscente no funciona, la lámpara de trabajo o el foco mejorado se reemplazará sin carga.

*Esta garantía no cubre las clavadoras aéreas, las engrapadoras, el rociador de pintura inalámbrico, el paquete de baterías inalámbrico, los generadores eléctricos portátiles que funcionan con gasolina, herramientas manuales, elevadores (eléctricos, con palanca y con cadenas manuales), camisas de calefacción M12™, productos reacondicionados y productos de prueba y medición. Se encuentran disponibles garantías distintas para estos productos.

No se necesita registro de garantía para obtener la garantía correspondiente de un producto eléctrico MILWAUKEE. La fecha de fabricación del producto se utilizará para determinar el período de garantía si no se presenta un comprobante de compra en el momento en que se solicita el servicio de garantía.

LA ACEPTACIÓN DE LOS DERECHOS A REPARACIÓN Y REEMPLAZO EXCLUSIVAMENTE DESCRITOS EN EL PRESENTE DOCUMENTO CONSTITUYE UNA CONDICIÓN DEL CONTRATO POR LA COMPRA DE CADA PRODUCTO MILWAUKEE. SI NO ACEPTA ESTA CONDICIÓN, NO DEBE COMPRAR EL PRODUCTO. MILWAUKEE NO SERÁ EN NINGÚN CASO RESPONSABLE DE DAÑOS INCIDENTALES, ESPECIALES, CONSECUENTES O PUNITIVOS, NI DE COSTOS, HONORARIOS DE ABOGADOS, GASTOS, PÉRDIDAS O DEMORAS SUPUESTAMENTE CAUSADOS COMO CONSECUENCIA DE CUALQUIER DAÑO, FALLA O DEFECTO EN CUALQUIER PRODUCTO, INCLUIDOS, A MODO DE EJEMPLO, RECLAMOS POR PÉRDIDA DE GANANCIAS. ALGUNOS ESTADOS NO PERMITEN LA EXCLUSIÓN O LA LIMITACIÓN DE DAÑOS INCIDENTALES O CONSECUENTES. POR LO TANTO, LAS LIMITACIONES Y EXCLUSIONES ANTERIORES PUEDEN NO APLICARSE PARA USTED. ESTA GARANTÍA ES EXCLUSIVA Y SUSTITUYE A TODAS LAS OTRAS GARANTÍAS EXPRESAS, ESCRITAS U ORALES. SEGÚN LO PERMITA LA LEY, MILWAUKEE SE EXIME DE TODA GARANTÍA IMPLÍCITA, INCLUIDOS, A MODO DE EJEMPLO, TODA GARANTÍA IMPLÍCITA DE COMERCIABILIDAD O IDONEIDAD PARA UN USO O PROPOSITO EN PARTICULAR: EN LA MEDIDA EN QUE DICHA RENUNCIA NO ESTÉ PERMITIDA POR LA LEY, DICHAS GARANTÍAS IMPLÍCITAS ESTÁN LIMITADAS A LA DURACIÓN DE LA GARANTÍA EXPRESA APLICABLE SEGÚN SE DESCRIBE ANTERIORMENTE. ALGUNOS ESTADOS NO PERMITEN LIMITACIONES EN LA DURACIÓN DE UNA GARANTÍA IMPLÍCITA. POR LO TANTO, LA LIMITACIÓN ANTERIOR PUEDE NO APLICARSE PARA USTED. ESTA GARANTÍA LE OTORGA DERECHOS LEGALES ESPECÍFICOS Y TAMBIÉN PUEDE TENER OTROS DERECHOS QUE VARIAN DE ESTADO EN ESTADO.

Esta garantía se aplica a los productos vendidos en los EE. UU. y Canadá.

Consulte 'Service Center Search' (Búsqueda de centro de servicio) en la sección Parts & Services (Piezas y servicios) del sitio web MILWAUKEE, www.milwaukeetool.com o llame al 1.800.SAWDUST (1.800.729.3878) para encontrar su Centro de Servicio de la fábrica de MILWAUKEE más cercano.

PÓLIZA DE GARANTÍA - VALIDA SOLO PARA MÉXICO, AMÉRICA CENTRAL Y EL CARIBE

TECHTRONIC INDUSTRIES, garantiza por 5 años este producto a partir de la fecha original de compra.

Esta garantía cubre cualquier defecto que presenten las piezas, componentes y la mano de obra contenidas en este producto. Para América Central y el Caribe se debe confirmar en el Centro de Servicio Autorizado el plazo de la garantía.

Para hacer efectiva la Garantía deberá presentar al Centro de Servicio Autorizado la Póliza de Garantía sellada por el establecimiento en donde adquirió el producto. Si no la tienen, podrá presentar el comprobante de compra original.

Usted puede llamar sin costo al teléfono 01 800 832 1949 o por correo electrónico a la dirección "servicio@ttigroupna.com", para ubicar el Centro de Servicio Autorizado más cercano a su domicilio, en el cual además podrá adquirir partes, componentes, consumibles y accesorios, que usted necesite.

Procedimiento para hacer válida la garantía

Acuda al Centro de Servicio con el producto y la póliza de garantía sellada por el establecimiento donde realizó la compra. Ahí se reemplazará cualquier pieza o componente defectuoso sin cargo alguno para el usuario final. La empresa se hace responsable de los gastos de transportación razonablemente erogados que se deriven del cumplimiento de la presente garantía.

Excepciones

La garantía perderá validez en los siguientes casos:

- a) Cuando el producto se hubiese utilizado en condiciones distintas a las normales.
- b) Cuando el producto no hubiese sido operado de acuerdo con el instructivo de uso que lo acompaña.
- c) Cuando el producto hubiese sido alterado o reparado por personas no autorizadas por TECHTRONIC INDUSTRIES.

Nota: Si el cordón de alimentación es dañado, este debe ser reemplazado por el fabricante o por un Centro de Servicio Autorizado para evitar riesgo.

CENTRO DE SERVICIO Y ATENCIÓN A CLIENTES
Rafael Buelna No.1. Col. Tezozomoc Mexico, D.F.
Tel. 01 800 832 1949

IMPORTADO Y COMERCIALIZADO POR:
TECHTRONIC INDUSTRIES MEXICO, S.A. DE C.V.
Av. Santa Fe 481 piso 6, Col. Curz Manca.
CP 05349, Cuajimalpa, D.F.

UNITED STATES - MILWAUKEE Service

MILWAUKEE prides itself in producing a premium quality product that is NOTHING BUT HEAVY DUTY®. Your satisfaction with our products is very important to us! If you encounter any problems with the operation of this tool, or you would like to locate the factory Service/Sales Support Branch or *authorized service station* nearest you, please call...

1-800-SAWDUST

(1.800.729.3878)

Monday-Friday
7:00 AM - 6:30 PM
Central Time

or visit our website at
www.milwaukeetool.com

For service information, use the 'Service Center Search' icon found in the 'Parts & Service' section.

Additionally, we have a nationwide network of *authorized* Distributors ready to assist you with your tool and accessory needs. Check your "Yellow Pages" phone directory under "Tools-Electric" for the names & addresses of those nearest you or see the 'Where To Buy' section of our website.

Contact our Corporate After Sales Service Technical Support about ...

- Technical Questions
- Service/Repair Questions
- Warranty

call: 1-800-SAWDUST

fax: 1.800.638.9582

email: metproductsupport@milwaukeetool.com

Register your tool online at www.milwaukeetool.com and...

- receive important notifications regarding your purchase
- ensure that your tool is protected under the warranty
- become a HEAVY DUTY club member

Canada - Service MILWAUKEE

MILWAUKEE est fier de proposer un produit de première qualité NOTHING BUT HEAVY DUTY®. Votre satisfaction est ce qui compte le plus!

En cas de problèmes d'utilisation de l'outil ou pour localiser le centre de service/ventes ou le *centre d'entretien* le plus proche, appelez le...

416.439.4181

fax: 416.439.6210

Milwaukee Electric Tool (Canada) Ltd
755 Progress Avenue
Scarborough, Ontario M1H 2W7

Notre réseau national de distributeurs agréés se tient à votre disposition pour fournir l'aide technique, l'outillage et les accessoires nécessaires. Composez le 416.439.4181 pour obtenir les noms et adresses des revendeurs les plus proches ou bien consultez la section «Où acheter» sur notre site web à l'adresse

www.milwaukeetool.com

MEXICO - Soporte de Servicio MILWAUKEE

CENTRO DE ATENCIÓN A CLIENTES
Rafael Buelna No. 1, Col Tezozomoc,
Delegación Azcapotzalco, México, D.F.
Telefono sin costo 01 800 832 1949
e-mail: servicio@ttigroupna.com

Adicionalmente, tenemos una red nacional de distribuidores autorizados listos para ayudarle con su herramienta y sus accesorios. Por favor, llame al 01 800 832 1949 para obtener los nombres y direcciones de los más cercanos a usted, o consulte la sección 'Where to buy' (Dónde comprar) de nuestro sitio web en

www.ttigroupmexico.com

Registre su herramienta en línea, en www.ttigroupmexico.com y...

- reciba importantes avisos sobre su compra
- asegúrese de que su herramienta esté protegida por la garantía
- conviértase en integrante de Heavy Duty

MILWAUKEE ELECTRIC TOOL CORPORATION

13135 West Lisbon Road • Brookfield, Wisconsin, U.S.A. 53005