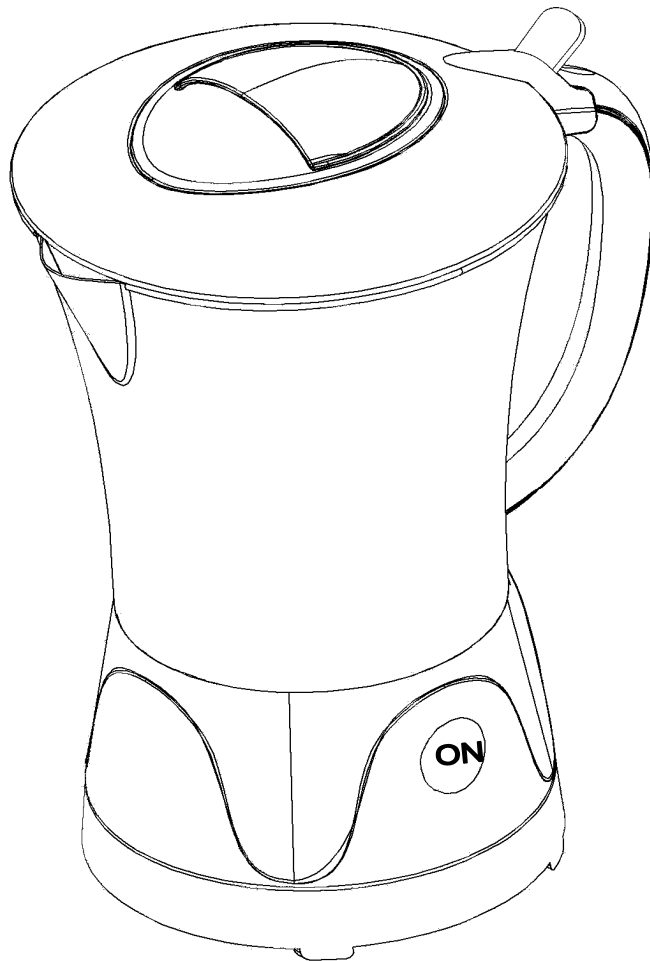
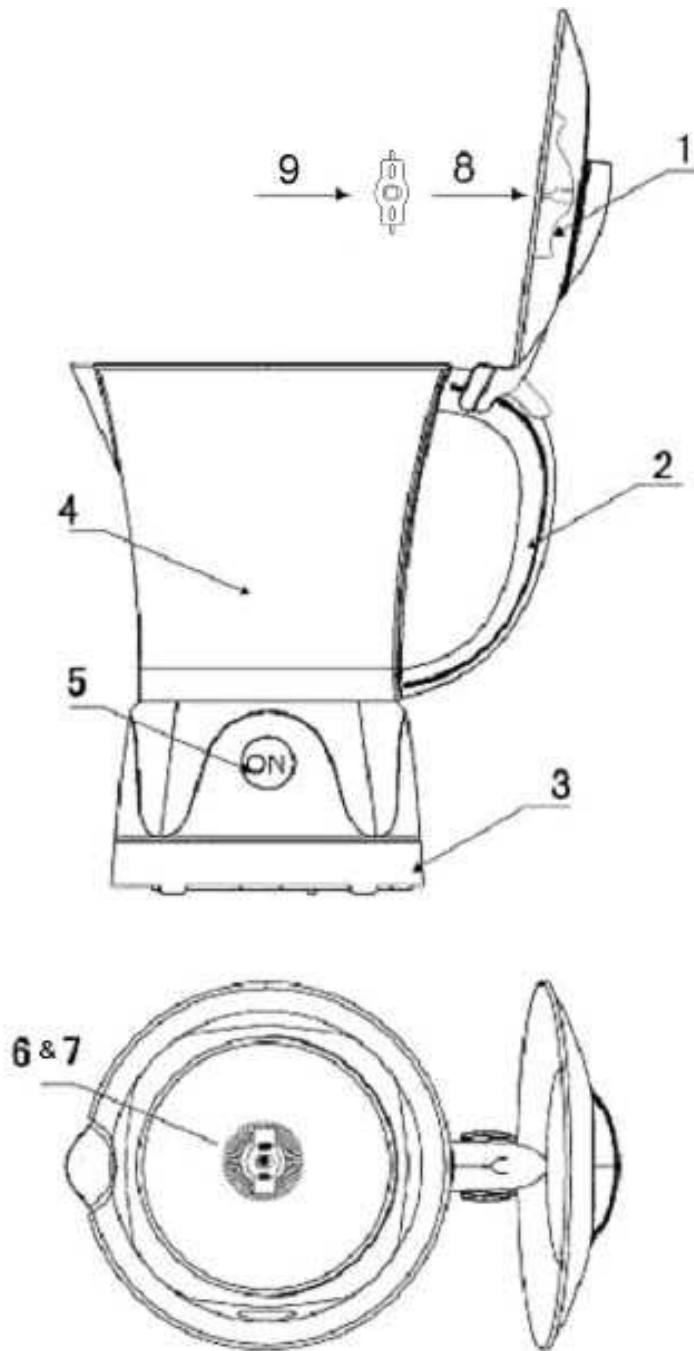




# INSTRUCTION MANUAL



**MF-0620**  
**MILK FROTHER**



- |                                  |                                       |
|----------------------------------|---------------------------------------|
| 1. Lid                           | 6. Bracket                            |
| 2. Handle                        | 7. Froth beater                       |
| 3. Base                          | 8. Holder (Froth beater/Heating stir) |
| 4. Body (Jug)                    | 9. Heating stir                       |
| 5. Power switch with pilot light |                                       |

## **IMPORTANT SAFEGUARDS**

When using electrical appliances, basic safety precautions should always be followed, including the following:

1. Read all the instructions.
2. To protect against electrical hazards, do not immerse cord, plug, or the appliance in water or any other liquid.
3. Close supervision is necessary when any appliance is used by or near children.
4. Unplug from outlet when not in use and before cleaning. Allow to cool before putting on or taking off parts; and before cleaning the appliance.
5. Do not operate any appliance with a damaged cord or plug; or after the appliance mal-functions or has been damaged in any manner.
6. Do not use outdoors.
7. Do not let cord hang over edge of table or counter or touch hot surfaces.
8. Do not place near a hot gas or electric burner or in a heated oven.
9. Extreme caution must be used when moving an appliance.
10. Always attach plug to appliance first, then plug cord into the wall outlet. To disconnect, turn any control to the "Off" position and remove plug from wall outlet.
11. CAUTION: This appliance generates heat during use. Proper precaution must be taken to prevent the risk of burn, fire or other damage to persons or properties.
12. Do not leave unit unattended while in use.
13. This appliance is for Household Use Only. Do not use appliance for other than intended use.
14. To reduce the risk of electric shock, use only with the removable ceramic pot.

## **SAVE THESE INSTRUCTIONS**

HOUSEHOLD USE ONLY.

## OPERATION

**Froth Beater:** used to froth milk. Attached to bracket (bottom of pitcher) from factory.

**Heating Stir:** used to heat milk. Attached to holder (inside top lid) from factory.

Note: Be sure to keep the part not in use in a safe place or attach it to the holder (inside top lid) for safe keeping.

### Frothing the milk

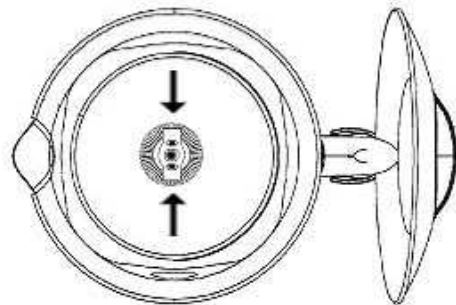
1. Open lid and be sure **froth beater** is properly attached to the bracket on bottom of pitcher.
2. Fill jug with required amount of milk, but not exceeding the bottom line marked on the inside of the jug (6oz).
3. Close lid. Place jug on the base and insert plug to wall socket.
4. Press the power switch and pilot light will illuminate. Milk frother will begin to froth.
5. Appliance switches off automatically after milk has reached the pre-set temperature of 158°F (70°C). Note: auto cut-off operates only when lid is closed securely.
6. The power button's pilot light extinguishes once the milk frother is switched off.
7. Please wait for appliance to cool down (approx 5 minutes) before using again.

### Heating the milk

1. Open lid and be sure **heating stir** is properly attached to the bracket on bottom of pitcher.
2. Fill jug with required amount of milk, but not exceeding the upper line marked on the inside of the jug (20oz). **DO NOT** attach the froth beater.
3. Close lid. Place jug on the base and insert plug to wall socket.
4. Press the power switch and pilot light will illuminate. Appliance will begin to heat milk.
5. Appliance switches off automatically after milk has reached the pre-set temperature of 158°F (70°C). Note: auto cut-off operates only when lid is closed securely.
6. The power button's pilot light extinguishes once the milk frother is switched off.
7. Please wait for appliance to cool down (approx 5 minutes) before using again.

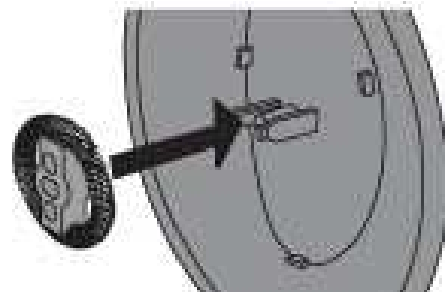
### Removing the froth beater from bracket

Using thumb and index finger, press on ring (as indicated by the arrows) and pull upwards:



### Storing the froth beater

When not in use, froth beater can be stored on the inside of the lid, as shown:



## **CLEANING:**

Clean the appliance and parts thoroughly after each use. **Always remove plug from wall socket before cleaning.**

1. Clean the froth beater in warm soapy water and dry thoroughly.
2. Fill jug with water and soak for a few minutes. Clean the inside of jug with damp cloth.
3. Dry thoroughly after cleaning.
4. Never immerse appliance in water or place in dishwasher. Make sure the electrical connections do not get wet.

## **CAUTION:**

- Do not immerse the appliance in water or other liquids.
- Do not use corrosive cleaning agents or scouring pads or sharp objects (such as knives or hard brushes) to clean the appliance.

## **TECHNICAL SPECIFICATIONS:**

Power:	550W
Main voltage:	120V ~ 60Hz
Capacity:	6 oz (froth) / 20 oz (heat)

## **ENVIROMENT:**

Dispose packaging materials, such as plastic and carton, in the appropriate waste bins.

When this product reaches the end of its useful life, do not dispose with general household waste. For the correct collection and treatment of this product, take them to the collection point for reuse of electrical and electronic equipment. Contact your local authority for the appropriate collection point in your neighborhood.



## Y o u r   G u a r a n t e e

If this product is found to be faulty as a result of faulty materials or workmanship within one year from date of purchase, it will be repaired free of charge.

This guarantee is subject to the following terms:

- Sunpentown must be notified of the fault.
- Proof of purchase must be presented to Sunpentown's nominated representative.
- The warranty will be void if the product is modified, misused or repaired by an unauthorized person.
- The warranty after repair will not be extended beyond the original one-year period.
- All replacement parts will be new or reconditioned.
- Parts, which are replaced, become the property of Sunpentown.
- The warranty applies for the use of the product in the USA only.

What is NOT COVERED:

- Warranty does not include freight charges.
- Incidental or consequential damage caused by possible defects with this product.
- Damage to product caused by improper power supply voltage, accident, fire, floods or acts of nature.
- Failure of product resulting from unauthorized modifications to the product.
- Improper installation or failure to perform the necessary maintenance.

This GUARANTEE is in addition to your Statutory Rights

**SUNPENTOWN INTERNATIONAL INC.**  
**14625 Clark Ave. City of Industry, CA 91745**  
**Tel: 800-330-0388**  
**service@sunpentown.com**  
[www.sunpentown.com](http://www.sunpentown.com)