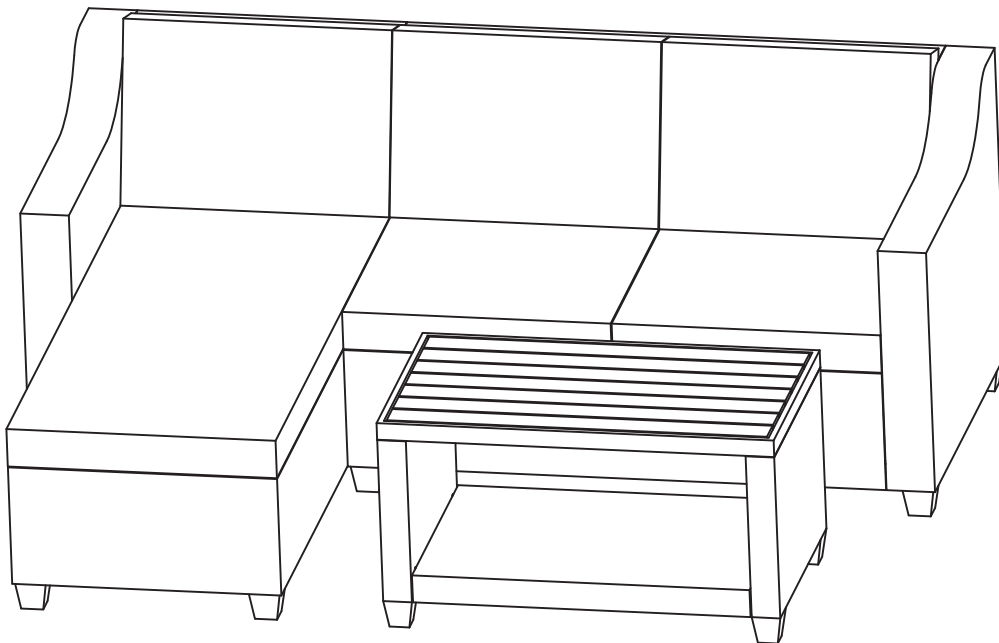


## USE AND CARE GUIDE

---

### BRIAR RIDGE 3PC SECTIONAL SET BARE



Questions, problems, missing parts? Before returning to the store,  
call Hampton Bay Customer Service  
8 a.m. - 7 p.m., EST, Monday - Friday, 9 a.m. - 6 p.m., EST, Saturday

1-855-HD-HAMPTON

HAMPTONBAY.COM

---

THANK YOU

We appreciate the trust and confidence you have placed in Hampton Bay through the purchase of this Side table. We strive to continually create quality products designed to enhance your home. Visit us online to see our full line of products available for your home improvement needs. Thank you for choosing Hampton Bay!

# Table of Contents

Table of Contents .....	2	Pre-Installation.....	3
THD - TOC2 .....	2	Hardware Included.....	3
Safety Information .....	2	Package Contents .....	4
What is covered.....	3	Installation.....	5
What is not covered.....	3	Care & Cleaning .....	6
Warranty .....	3	Service Parts.....	7

## Important Safety Instructions

### SAVE THESE INSTRUCTIONS

### READ ALL INSTRUCTIONS BEFORE USE

To reduce the risk of injury to persons:

1. Close supervision is necessary when this furnishing is used by or near children, or disabled persons, if applicable.
2. Use this furnishing only for its intended use as described in these instructions. Do not use attachments not recommended by the manufacturer.

### SET UP YOUR FURNITURE PROPERLY

1. Ensure that all parts are assembled properly and fully tightened as per the instructions.
2. When placing in the desired location, ensure that all legs are resting on the same surface.

### EXAMINE YOUR FURNITURE

Examine occasionally to ensure that there are no loose parts. If loose parts are found, they must be re-tightened fully before additional use.

### OBERVE WEIGHT LIMITS

The weight limits for the following products are listed below:

- |  |   |
|--|---|
| <input type="checkbox"/> Chair: 300 lbs        | <input type="checkbox"/> Sofa: 700 lbs          |
| <input type="checkbox"/> Swivel Chair: 300 lbs | <input type="checkbox"/> Rocking Chair: 300 lbs |
| <input type="checkbox"/> Loveseat: 500 lbs     | <input type="checkbox"/> Chaise Lounge: 300 lbs |
| <input type="checkbox"/> Ottoman: 150 lbs      | <input type="checkbox"/> Dining Table: 100 lbs  |
| <input type="checkbox"/> Table: 50 lbs         | <input type="checkbox"/> Dining Chair: 200 lbs  |



**CAUTION:** If you overload your furniture, injuries can occur.

# Warranty

## TWO YEAR FRAME, WEAVE AND FABRIC LIMITED WARRANTY

### WHAT IS COVERED

We warrant the frame, weave and fabric to be free of manufacturing defects to the original purchaser for two years. For glass table top we warrant 30 days from the date of purchase.

### WHAT IS NOT COVERED

This warranty does not cover commercial use, hardware, acts of nature, fire, freezing and abusive use. In addition, purchased parts are not covered under this warranty.

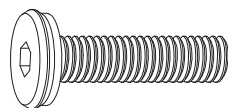
We reserve the right to make substitutions with similar merchandise, if the model in question is no longer in production. Contact the Customer Service Team at 1-855-HD-HAMPTON or visit [www.Hamptonbay.com](http://www.Hamptonbay.com).

# Pre-Installation

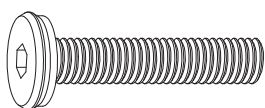
## PLANNING INSTALLATION

To prevent damage, place all parts on a soft surface during assembly. Remove all protective caps before beginning assembly.

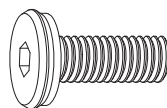
## HARDWARE INCLUDED



AA



BB



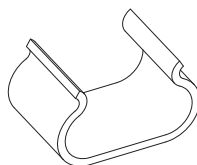
CC



DD



EE

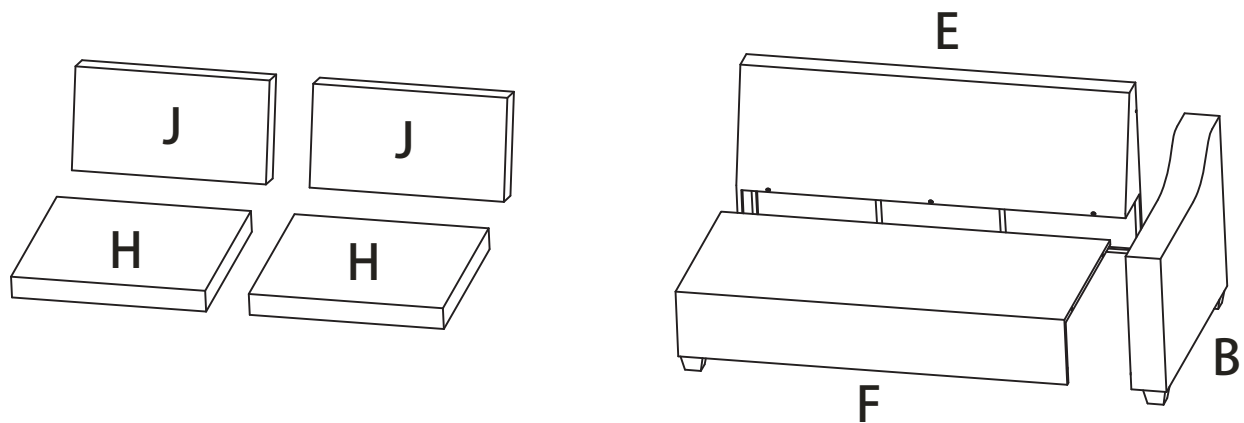
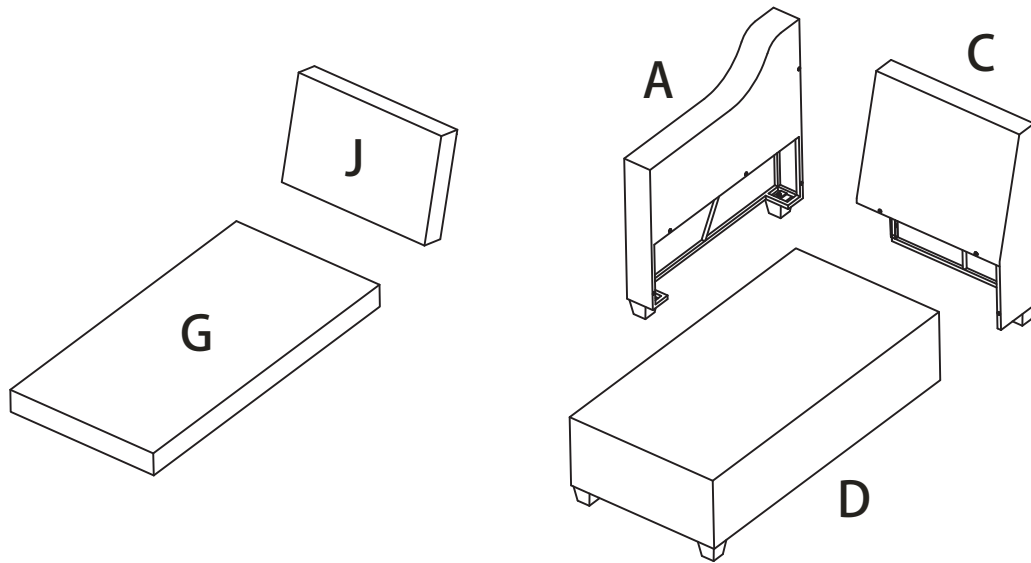


FF

Part	Description	Quantity
AA	Bolt M6x40mm	16
BB	Bolt M6x50mm	9
CC	Bolt M6x20mm	4
DD	Washer $\phi$ 6mm	29
EE	Hex wrench 4mm	1
FF	U Shape connector	2

# Pre-Installation

## PACKAGE CONTENTS(CHAISE)

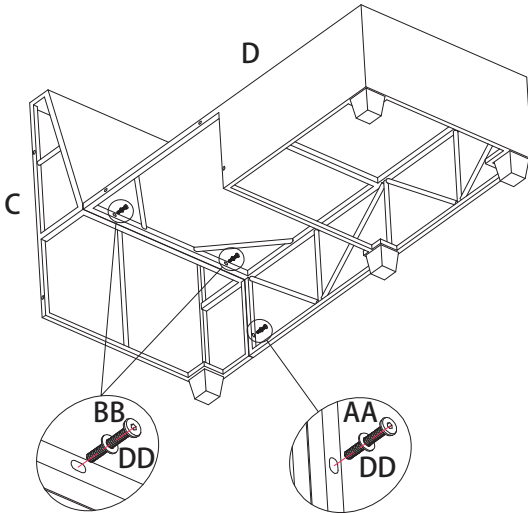


Part	Description	Quantity
A	Left arm	1
B	Right arm	1
C	The back of chaise	1
D	The seat of chaise	1
E	The back of Loveseat	1
F	The seat of Loveseat	1
G	Chaise seat cushion	1
H	Loveseat seat cushion	2
J	Back cushion	3

# Installation

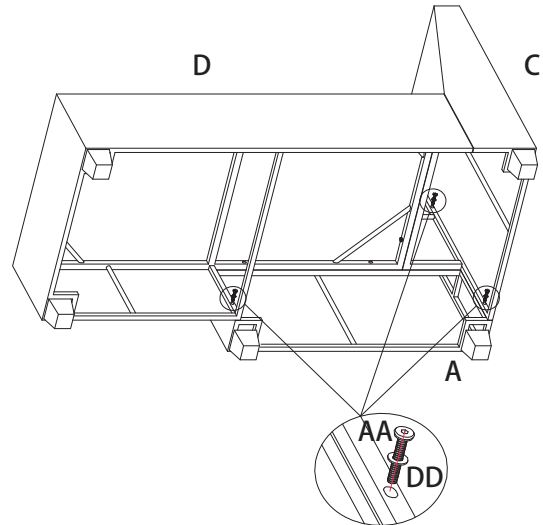
## 1 Attaching the chaise seat to the back

- Place the back (C) on a soft surface.
- Attach the seat (D) to the back (C) using bolts (AA) and (BB) with washer (DD) and hand tighten. Do not tighten completely.



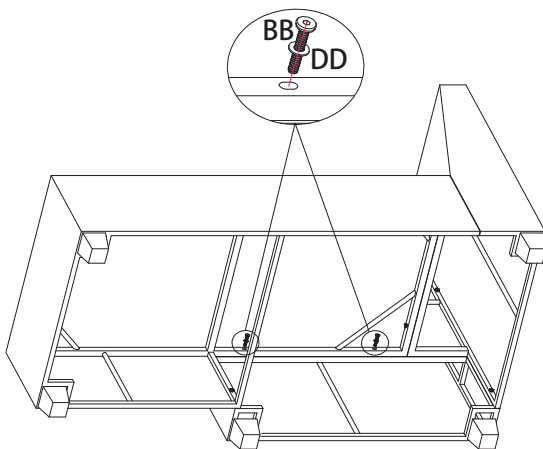
## 2 Attaching the chaise armrest to the seat and back

- Attach the armrest (A) to the back (C) and seat (D) using bolts (AA) with washer (DD) and hand tighten.



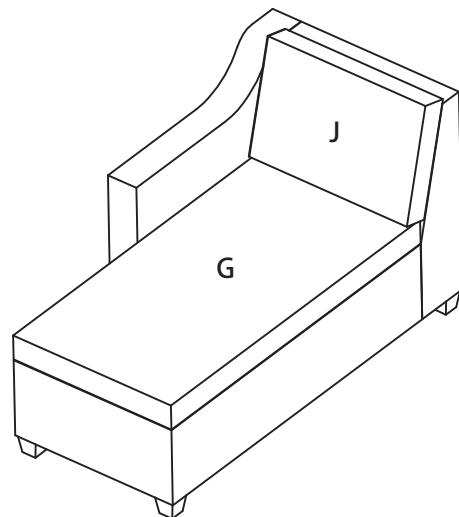
## 3 Attaching the armrest to the seat

- Attach the armrest (A) to the seat (D) using bolts (BB) with washer (DD) and hand tighten.
- Tighten all bolts (AA) and (BB) with washers (DD) completely.



## 4 Completing the assembly

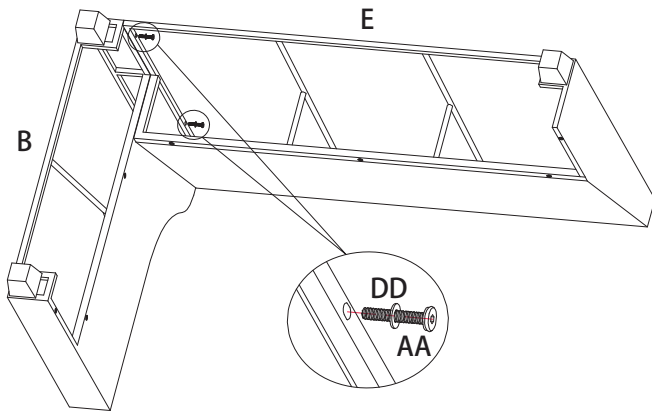
- Place the seat cushion (G) and back cushion (J) on the chaise.
- This chaise is now ready for your enjoyment.



# Installation

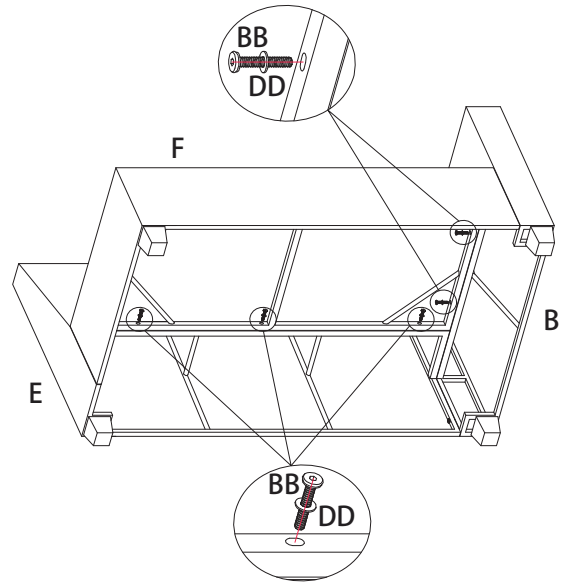
## 1 Attaching the sofa armrest to the back

- Place the back (E) on a soft surface.
- Attach the armrest (B) to the back (E) using bolts (AA) with washer (DD) and hand tighten. Do not tighten completely.



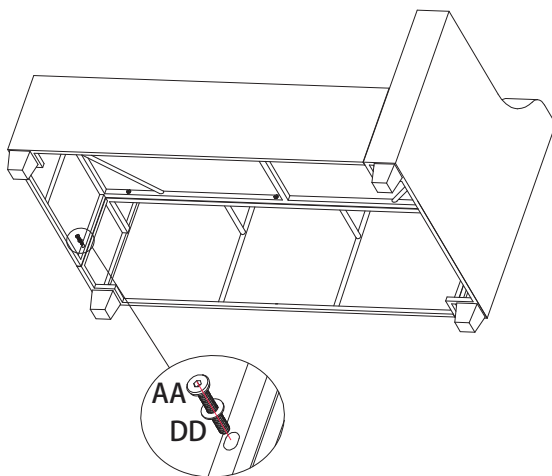
## 2 Attaching the sofa seat to the armrest and back

- Attach the seat (F) to the back (E) and armrest (B) using bolts (BB) with washer (DD) and hand tighten.



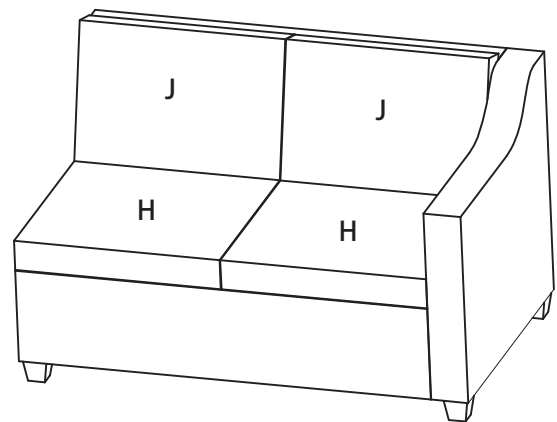
## 3 Attaching the back to the seat

- Attach the back (E) to the seat (F) using bolts (AA) with washer (DD) and hand tighten.
- Tighten all bolts (AA) and (BB) with washers (DD) completely.



## 4 Completing the assembly

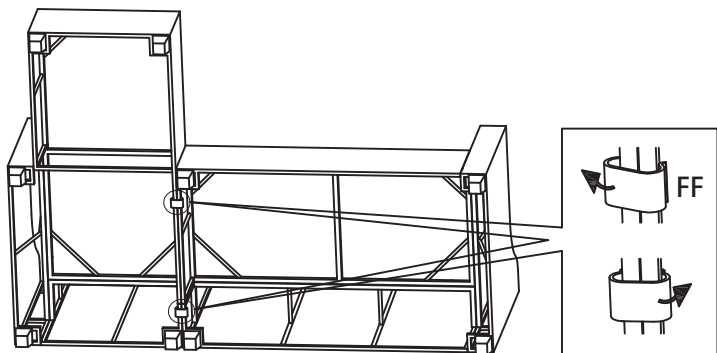
- Place the seat cushion (H) and back cushion (J) on the loveseat.
- This loveseat is now ready for your enjoyment.



# Installation

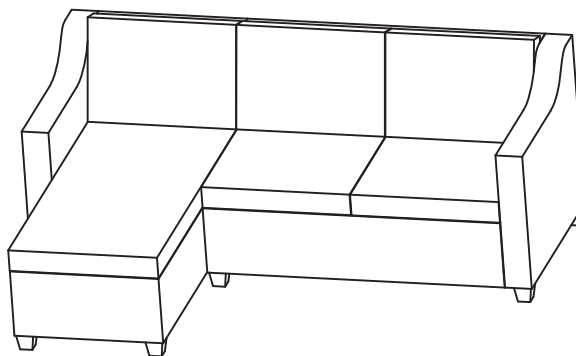
## 1 Attach the connect clip to the sofa

- Attach the chaise and sofa with the U shaped connectors

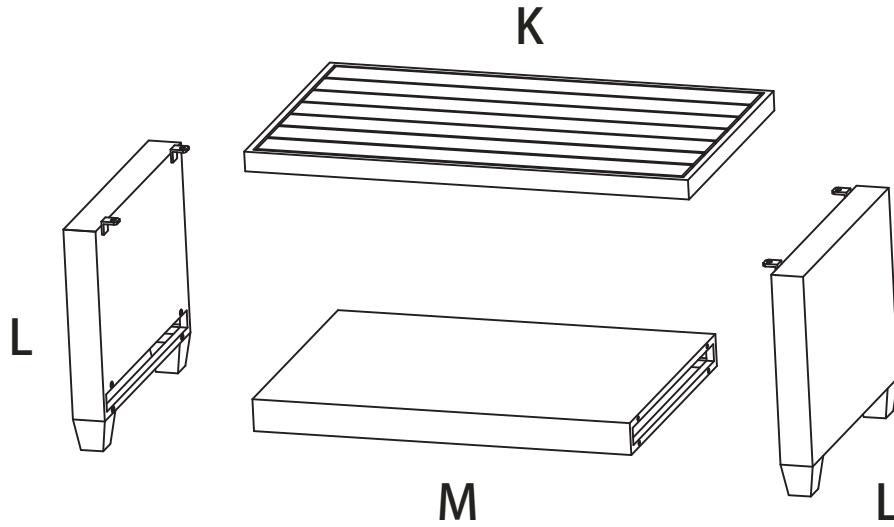


## 2 Completing the assembly

- Put the cushion on the sofa.
- This sofa is now ready for your enjoyment.



## PACKAGE CONTENTS



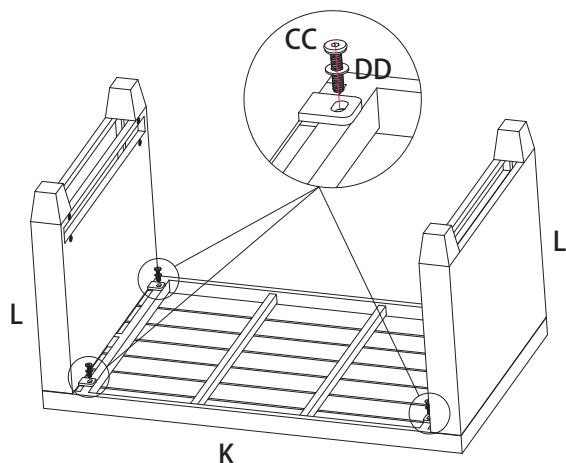
Part	Description	Quantity
K	Table top	1
L	Legs	2
M	Lower shelf	1



# Installation

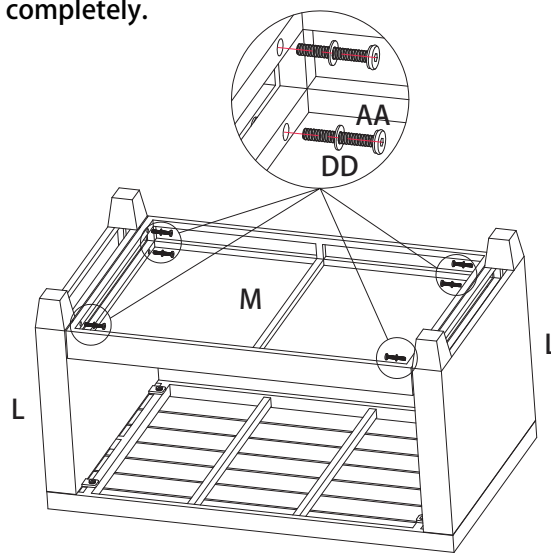
## 1 Attaching the legs to the top

- Place the top (K) on a soft surface.
- Insert each leg (L) with shelf supports facing the center into the four holes on the table top (K) as shown.
- Attach legs (L) to the table top (K) using the washers (DD) and bolts (CC), and hand tighten. Do not tighten completely.



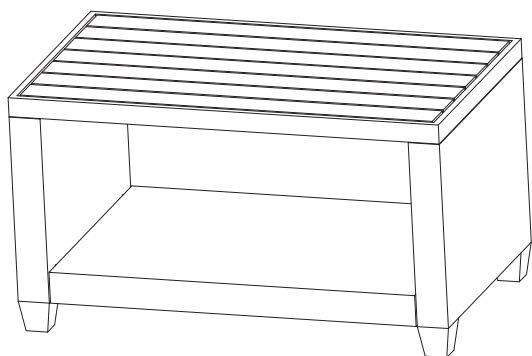
## 2 Attaching the shelf to the legs

- Attach the shelf (M) to the legs (L) by aligning holes on the shelf (M) with the holes on the legs (L). The shelf must be attached as shown in the image. Insert bolts (AA) with washers (DD).
- Tighten all bolts (AA) and (CC) with washers (DD) completely.



## 3 Completing the assembly

- Place the table right side up.
- This table is now ready for your enjoyment.



## Care and Cleaning

---

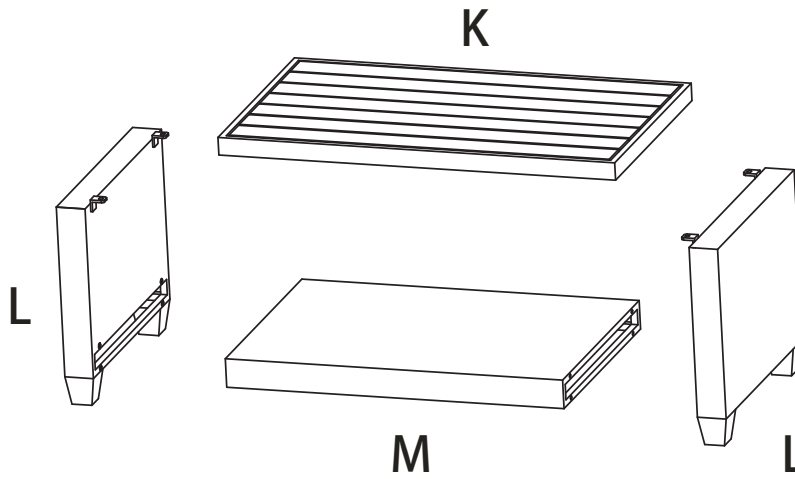
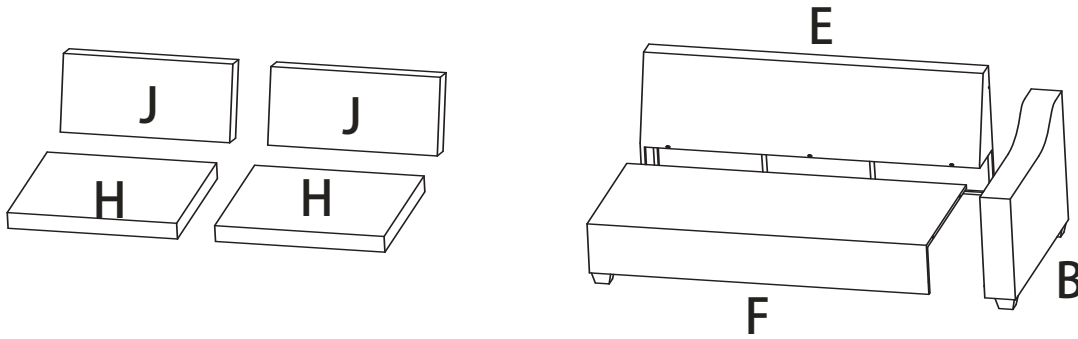
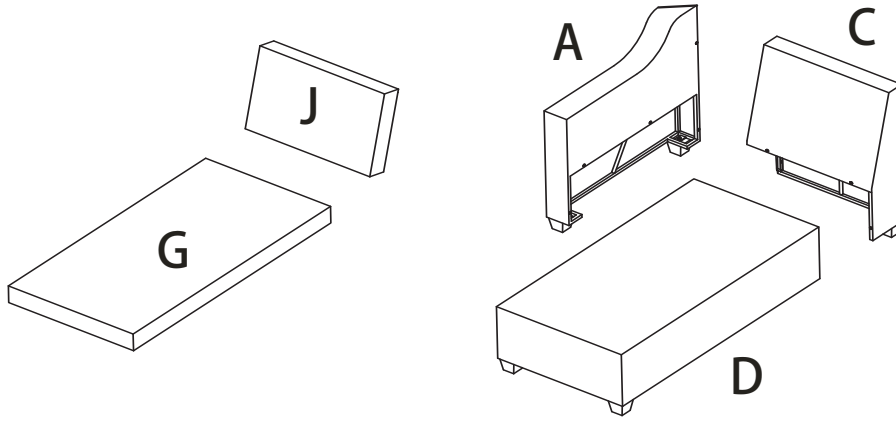
- Before using, wipe with a clean, dry cloth. Do not use bleach or solvents. When not in use, store furniture in a cool, dry place. If your set includes cushions or mesh fabric, they may be cleaned by hand with a mild solution of soap and water.
- Rinse cushion thoroughly and allow to drip dry. Do not machine wash or tumble dry, as cushions may shrink.
- Do not use bleach or solvents on fabrics. When cleaning the table top make sure to use a soft, clean cloth that does not bleed color as well.

## Care and Maintenance

---

- Wash the frame with a mild solution of soap and water, rinse with clean water, and dry thoroughly.
- Cushions may also be cleaned by hand with a mild solution of soap and water. Rinse the cushion cover thoroughly and allow to drip dry. The back cushion and pillow should be spot cleaned with a soft cloth. Do not machine wash or tumble dry, as cushions may shrink. Do not use bleach or solvents on fabrics. Never use cleaners that contain acid or abrasive materials.
- Use and operation: To improve the lifespan of this furniture, cover when not use and store in a dry place in the off season.

## MODEL TYPE



Part	Description	Quantity
A	Left arm	1
B	Right arm	1
C	The back of chaise	1
D	The seat of chaise	1
E	The back of loveseat	1
F	The seat of loveseat	1
G	Chaise seat cushion	1
H	Loveseat seat cushion	2
J	Back cushion	3
K	Table top	1
L	Legs	2
M	Lower shelf	1

# HAMPTON BAY®

Questions, problems, missing parts? Before returning to the store,  
call Hampton Bay Customer Service  
8 a.m. - 7 p.m., EST, Monday – Friday, 9 a.m. – 6 p.m., EST, Saturday

**1-855-HD-HAMPTON**

**HAMPTONBAY.COM**

Retain this manual for future use.



BEFORE RETURNING THE PATIO FURNITURE TO HOME DEPOT

PLEASE CALL US AT

**855-HD-HAMPTON (855-434-2678)**

Mon-Fri: 8am-7pm Sat: 9am-6pm EST

OR VISIT OUR WEBSITE AT:

[WWW.HOMEDEPOT.COM](http://WWW.HOMEDEPOT.COM)

SEARCH THE UPC NUMBER FOR INSTRUCTION AND FAQ

Warranty Coverage Requirements:

1. Copy of your store or online receipt or credit card used for purchase
2. Pictures of the damaged parts
3. Name/model/UPC of your item (you can find the UPC on the silver sticker under your chair, on the label of your cushion or on the box)
4. Please gather all of this information BEFORE you call customer service