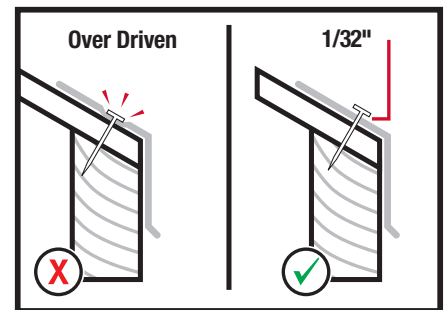


Begin installation along the eaves, starting at a corner and working your way around, overlapping each succeeding piece of drip edge by 2-3 inches.

After the eave drip edge has been installed, apply the underlayment and/or ice-water barrier.

Once the underlayment has been installed, apply the drip edge to the rakes. Make box corners by wrapping the rake edge around the eave metal.

Depending on local building codes and wind conditions, roof edge should be nailed every 4 in. - 24 in.



## CAUTION!

Working above grade is inherently dangerous, be sure that proper fall protection measures are in place. When working with power tools and sheet metal, gloves and eye protection are absolutely required.