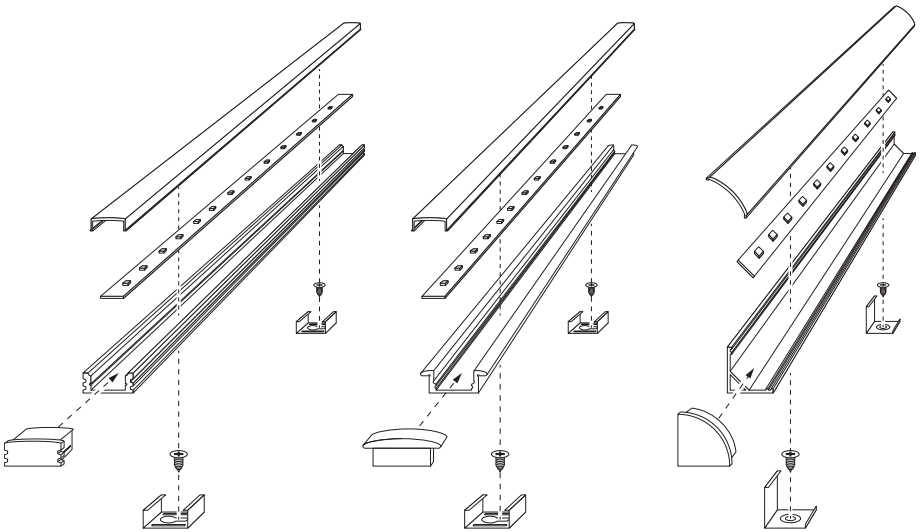


LED Tape Light Channel Installation

1. Install mounting clips on desired surface. Channels may also be installed with double-sided tape (not included).
2. Insert aluminum channel into mounting brackets. Channel can be cut to desired length.
3. Install tape light (not included).
4. Snap diffuser in place. Diffuser can be cut to accommodate end caps.
5. Install endcaps. Two endcap designs are included: Solid endcaps and endcaps with wire pass-through holes.



Surface mount

Recessed mount

Corner mount