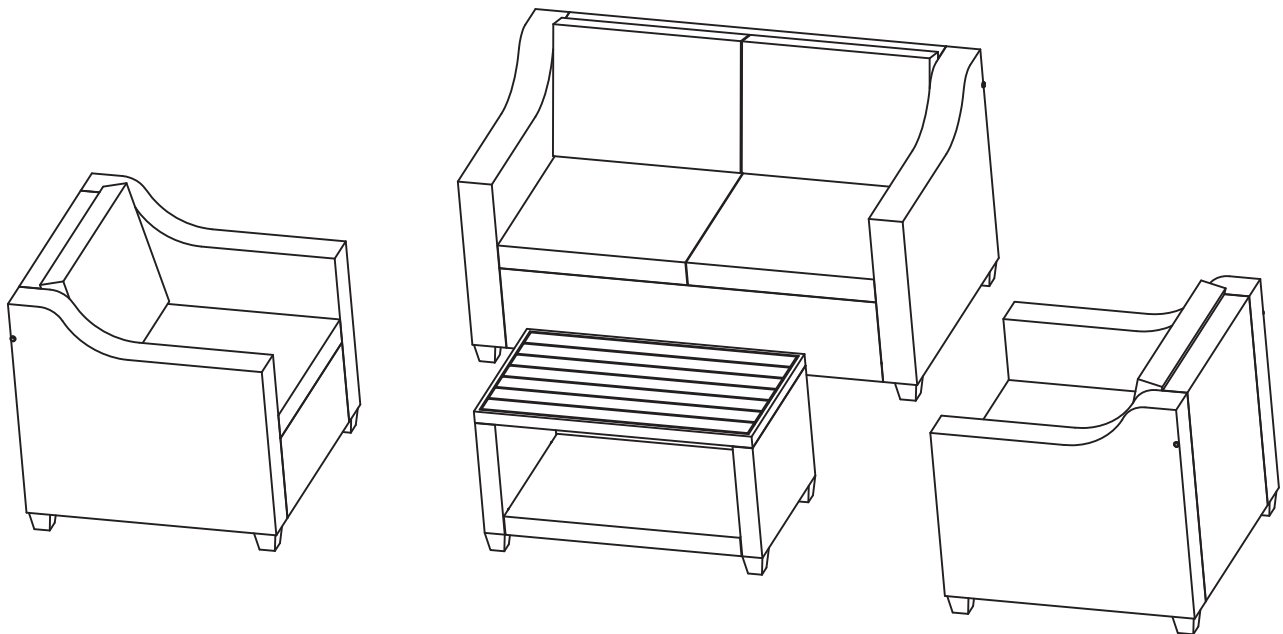


USE AND CARE GUIDE

BRIAR 4PC DEEP SEATING BARE



Questions, problems, missing parts? Before returning to the store,
call Hampton Bay Customer Service
8 a.m. - 7 p.m., EST, Monday - Friday, 9 a.m. - 6 p.m., EST, Saturday

1-855-HD-HAMPTON

HAMPTONBAY.COM

THANK YOU

We appreciate the trust and confidence you have placed in Hampton Bay through the purchase of this Side table. We strive to continually create quality products designed to enhance your home. Visit us online to see our full line of products available for your home improvement needs. Thank you for choosing Hampton Bay!

Table of Contents

Table of Contents	2	Pre-Installation.....	3
THD - TOC2	2	Hardware Included.....	3
Safety Information	2	Package Contents	4
What is covered.....	3	Installation.....	5
What is not covered.....	3	Care & Cleaning	6
Warranty.....	3	Service Parts.....	7

Important Safety Instructions

SAVE THESE INSTRUCTIONS

READ ALL INSTRUCTIONS BEFORE USE

To reduce the risk of injury to persons:

1. Close supervision is necessary when this furnishing is used by or near children, or disabled persons, if applicable.
2. Use this furnishing only for its intended use as described in these instructions. Do not use attachments not recommended by the manufacturer.

SET UP YOUR FURNITURE PROPERLY

1. Ensure that all parts are assembled properly and fully tightened as per the instructions.
2. When placing in the desired location, ensure that all legs are resting on the same surface.

EXAMINE YOUR FURNITURE

Examine occasionally to ensure that there are no loose parts. If loose parts are found, they must be re-tightened fully before additional use.

OBERVE WEIGHT LIMITS

The weight limits for the following products are listed below:

- | | |
|--|---|
| <input type="checkbox"/> Chair: 300 lbs | <input type="checkbox"/> Sofa: 700 lbs |
| <input type="checkbox"/> Swivel Chair: 300 lbs | <input type="checkbox"/> Rocking Chair: 300 lbs |
| <input type="checkbox"/> Loveseat: 500 lbs | <input type="checkbox"/> Chaise Lounge: 300 lbs |
| <input type="checkbox"/> Ottoman: 150 lbs | <input type="checkbox"/> Dining Table: 100 lbs |
| <input type="checkbox"/> Table: 50 lbs | <input type="checkbox"/> Dining Chair: 200 lbs |



CAUTION: If you overload your furniture, injuries can occur.

Warranty

TWO YEAR FRAME, WEAVE AND FABRIC LIMITED WARRANTY

WHAT IS COVERED

We warrant the frame, weave and fabric to be free of manufacturing defects to the original purchaser for two years. For glass table top we warrant 30 days from the date of purchase.

WHAT IS NOT COVERED

This warranty does not cover commercial use, hardware, acts of nature, fire, freezing and abusive use. In addition, purchased parts are not covered under this warranty.

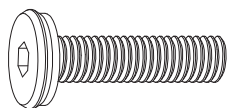
We reserve the right to make substitutions with similar merchandise, if the model in question is no longer in production. Contact the Customer Service Team at 1-855-HD-HAMPTON or visit www.Hamptonbay.com.

Pre-Installation

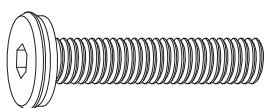
PLANNING INSTALLATION

To prevent damage, place all parts on a soft surface during assembly. Remove all protective caps before beginning assembly.

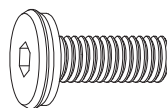
HARDWARE INCLUDED



AA



BB



CC



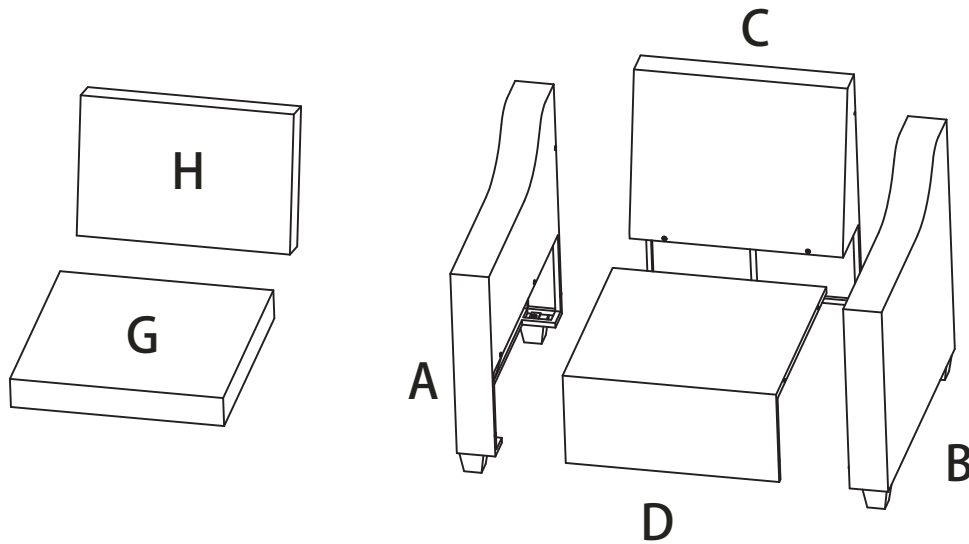
DD



EE

Part	Description	Quantity
AA	Bolt M6x40mm	26
BB	Bolt M6x50mm	19
CC	Bolt M6x20mm	4
DD	Washer ϕ 6mm	49
EE	Hex wrench 4mm	1

PACKAGE CONTENTS(CHAISE)

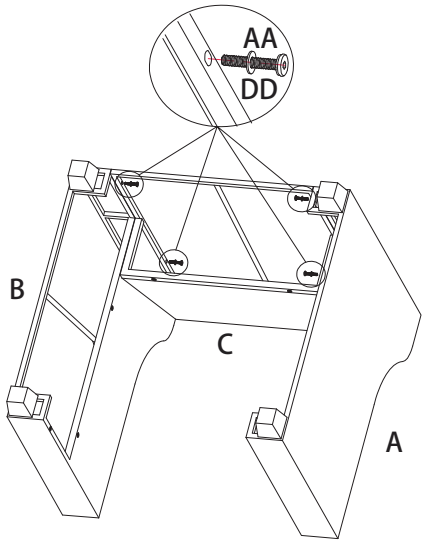


Part	Description	Quantity
A	Left arm	2
B	Right arm	2
C	The back of chaise	2
D	The seat of chaise	2
G	Seat cushion	2
H	Back cushion	2

Installation (255157)

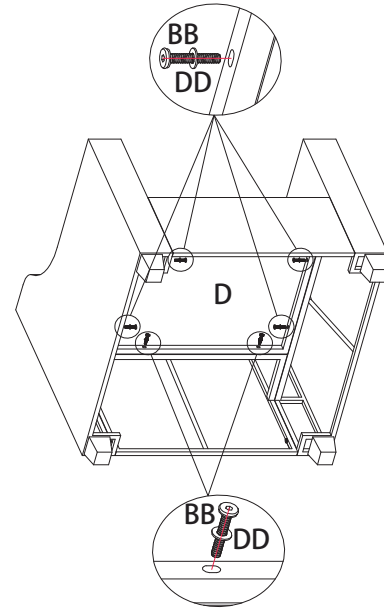
1 Attaching the back to the armrest

- Place the back (C) on a soft surface.
- Insert armrest (A), on the back (C) as shown, using bolts (AA) with washer (DD) and tighten. Do not tighten completely.
- Insert armrest (B), on the back (C) as shown, using bolts (AA) with washer (DD) and tighten. Do not tighten completely.



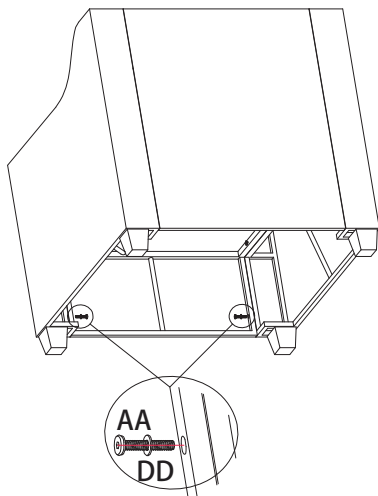
2 Attaching the seat to the back and armrest

- Attach the seat (D) to back (C) and armrest (A) and (B) using bolt (BB) with washer (DD) and hand tighten, Do not tighten completely.



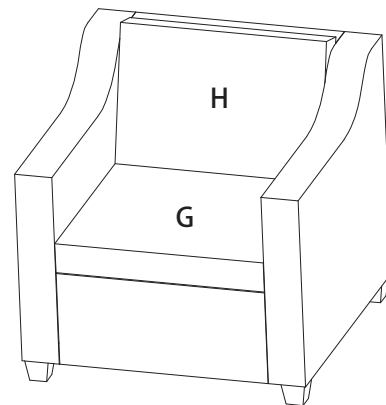
3 Attaching the seat to the armrest

- Attach the seat (D) to armrest (A) and (B) using bolt (AA) with washer (DD) and hand tighten.
- Tighten all bolts (AA) and (BB) with washers (DD) completely.



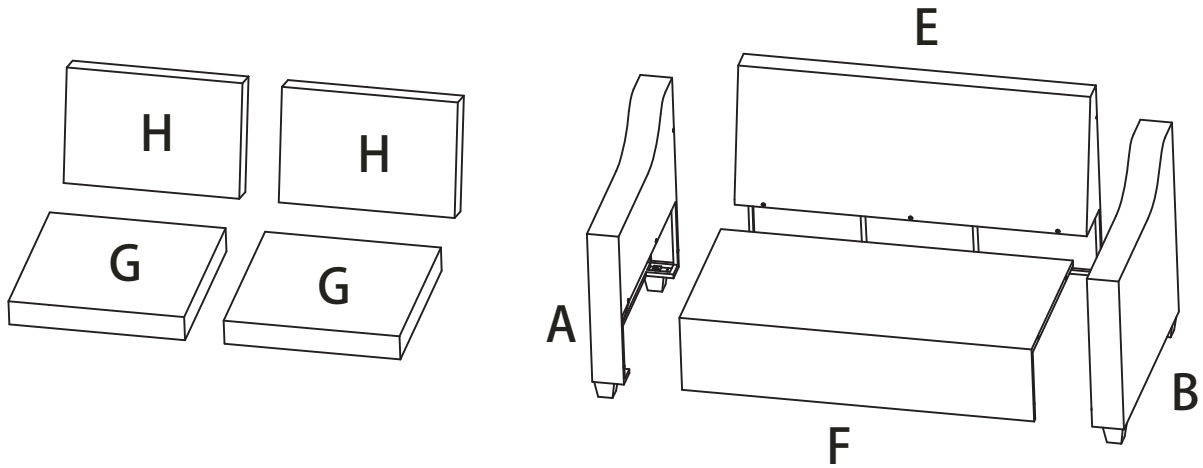
4 Completing the assembly

- Put the seat cushion (G) and back cushion (H) on the sofa.
- This sofa is now ready for your enjoyment.



Pre-Installation (255157)

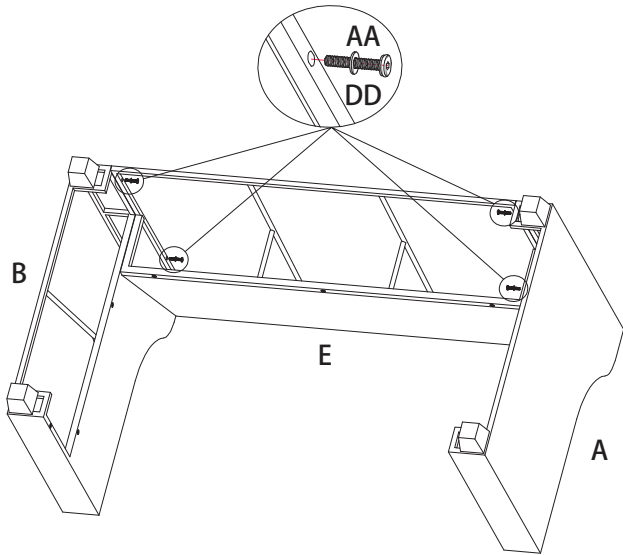
PACKAGE CONTENTS(CHAISE)



Part	Description	Quantity
A	Left arm	1
B	Right arm	1
E	The back of chaise	1
F	The seat of chaise	1
G	Seat cushion	2
H	Back cushion	2

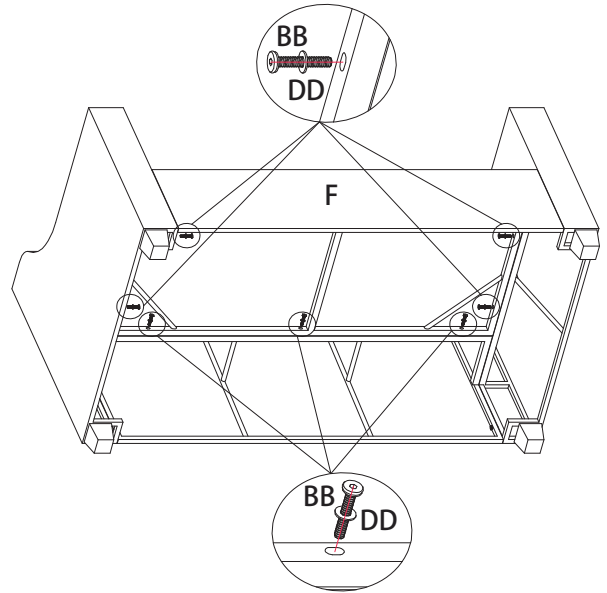
1 Attaching the back to the armrest

- Place the back (E) on a soft surface.
- Insert armrest (A), on the back (E) as shown, using bolts (AA) with washer (DD) and tighten. Do not tighten completely.
- Insert armrest (B), on the back (E) as shown, using bolts (AA) with washer (DD) and tighten. Do not tighten completely.



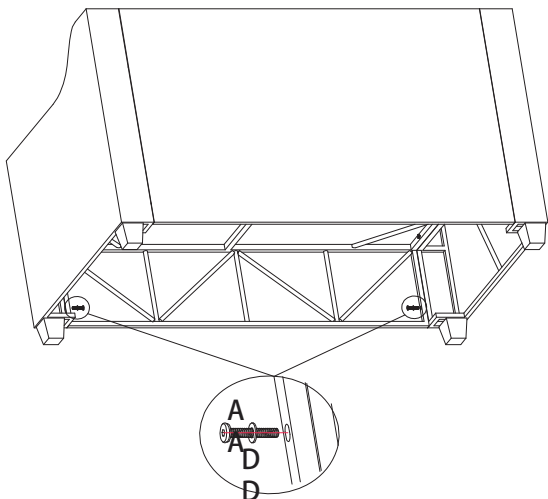
2 Attaching the seat to the back and armrest

- Attach the seat (F) to back (E) and armrest (A) and (B) using bolt (BB) with washer (DD) and hand tighten, Do not tighten completely.



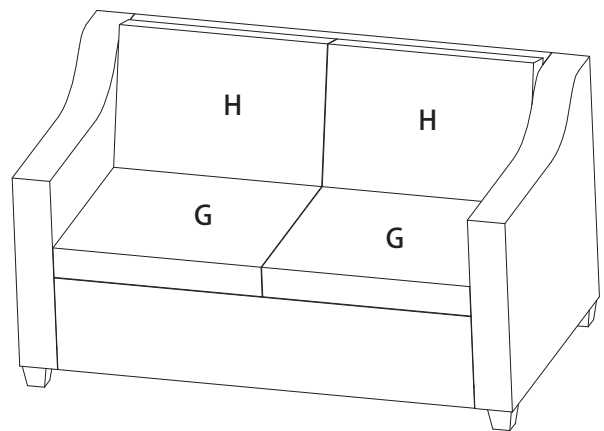
3 Attaching the seat to the armrest

- Attach the seat (F) to armrest (A) and (B) using bolt (AA) with washer (DD) and hand tighten.
- Tighten all bolts (AA) and (BB) with washers (DD) completely.

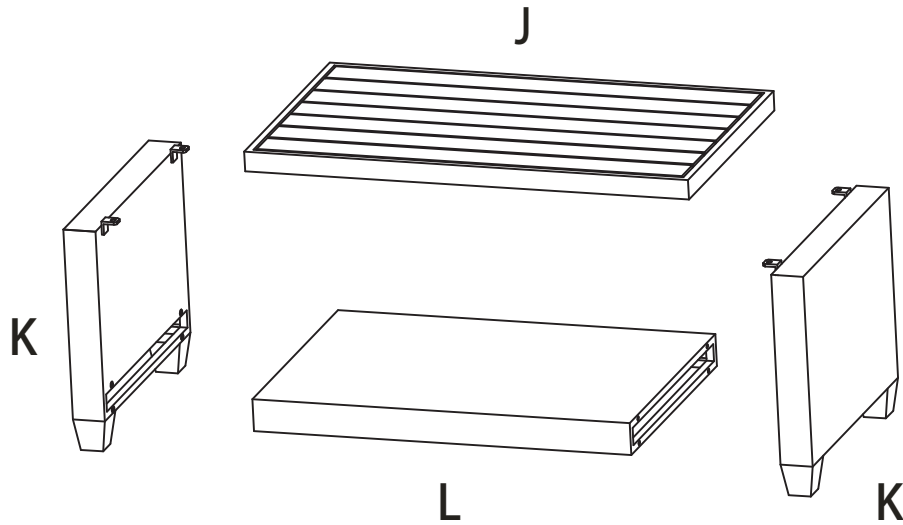


4 Completing the assembly

- Put the seat cushion (G) and back cushion (H) on the sofa.
- This sofa is now ready for your enjoyment.



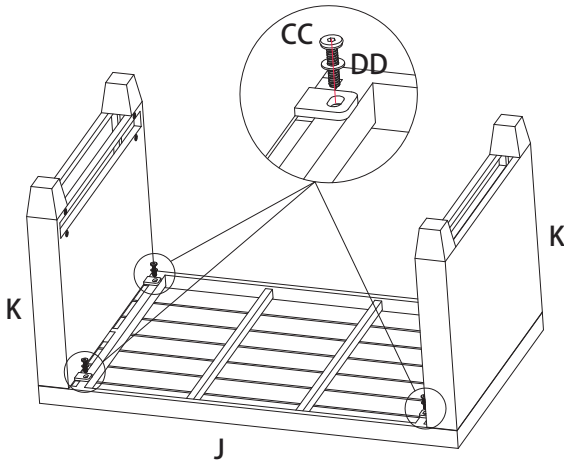
PACKAGE CONTENTS



Part	Description	Quantity
J	Table top	1
K	Legs	2
L	Lower shelf	1

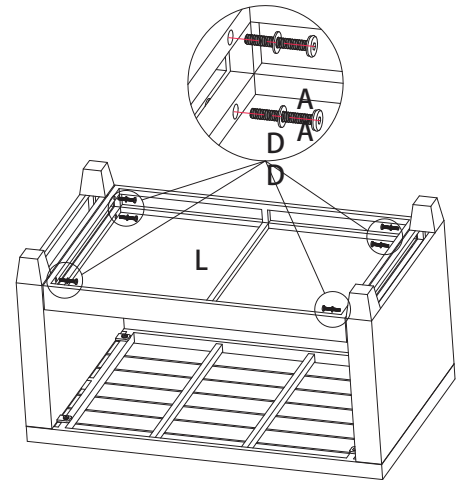
1 Attaching the legs to the top

- Place the top (J) on a soft surface.
- Insert each leg (K) with shelf supports facing the center into the four holes on the table top (J) as shown.
- Attach legs (K) to the table top (J) using bolts (CC) and with washers (DD) and tighten. Do not tighten completely.



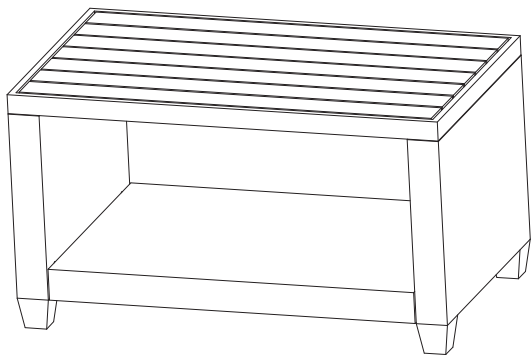
2 Attaching the shelf to the legs

- Attach the shelf (L) to the legs (K) by aligning holes on the shelf (L) with the holes on the legs (K). The shelf must be attached as shown in the image. Insert bolts (AA) with washers (DD) and hand tighten.
- Tighten all bolts (AA) and (CC) with washers (DD) completely.



3 Completing the assembly

- Place the table right side up.
- This table is now ready for your enjoyment.



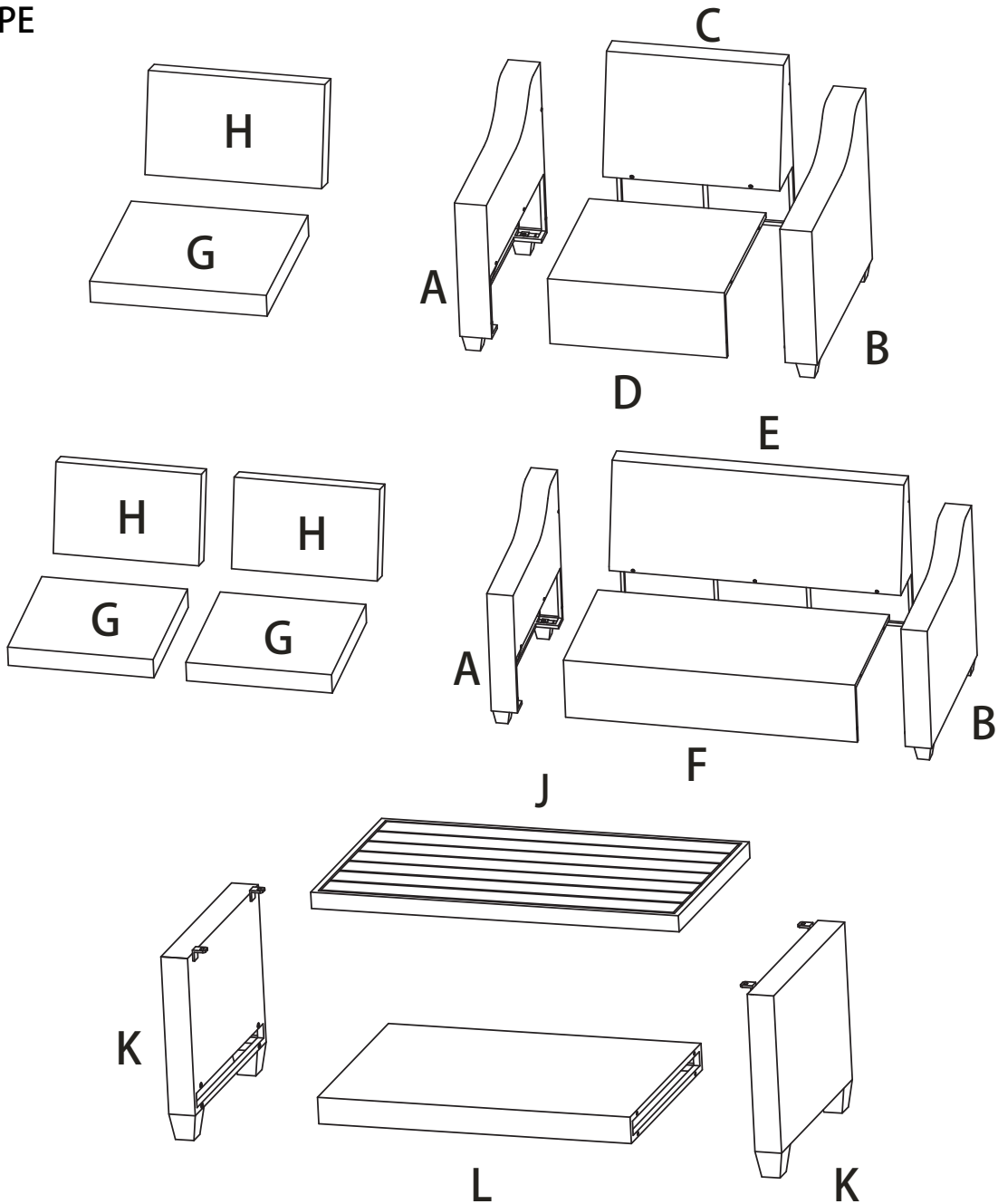
Care and Cleaning

- Before using, wipe with a clean, dry cloth. Do not use bleach or solvents. When not in use, store furniture in a cool, dry place. If your set includes cushions or mesh fabric, they may be cleaned by hand with a mild solution of soap and water.
- Rinse cushion thoroughly and allow to drip dry. Do not machine wash or tumble dry, as cushions may shrink.
- Do not use bleach or solvents on fabrics. When cleaning the table top make sure to use a soft, clean cloth that does not bleed color as well.

Care and Maintenance

- Wash the frame with a mild solution of soap and water, rinse with clean water, and dry thoroughly.
- Cushions may also be cleaned by hand with a mild solution of soap and water. Rinse the cushion cover thoroughly and allow to drip dry. The back cushion and pillow should be spot cleaned with a soft cloth. Do not machine wash or tumble dry, as cushions may shrink. Do not use bleach or solvents on fabrics. Never use cleaners that contain acid or abrasive materials.
- Use and operation: To improve the lifespan of this furniture, cover when not use and store in a dry place in the off season.

MODEL TYPE



Part	Description	Quantity
A	Left arm	3
B	Right arm	3
C	The back of chaise	2
D	The seat of chaise	2
E	The back of loveseat	1
F	The seat of loveseat	1
G	Seat cushion	4
H	Back cushion	4
J	Table top	1
K	Legs	2
L	Lower shelf	1

HAMPTON BAY®

Questions, problems, missing parts? Before returning to the store,
call Hampton Bay Customer Service
8 a.m. - 7 p.m., EST, Monday – Friday, 9 a.m. – 6 p.m., EST, Saturday

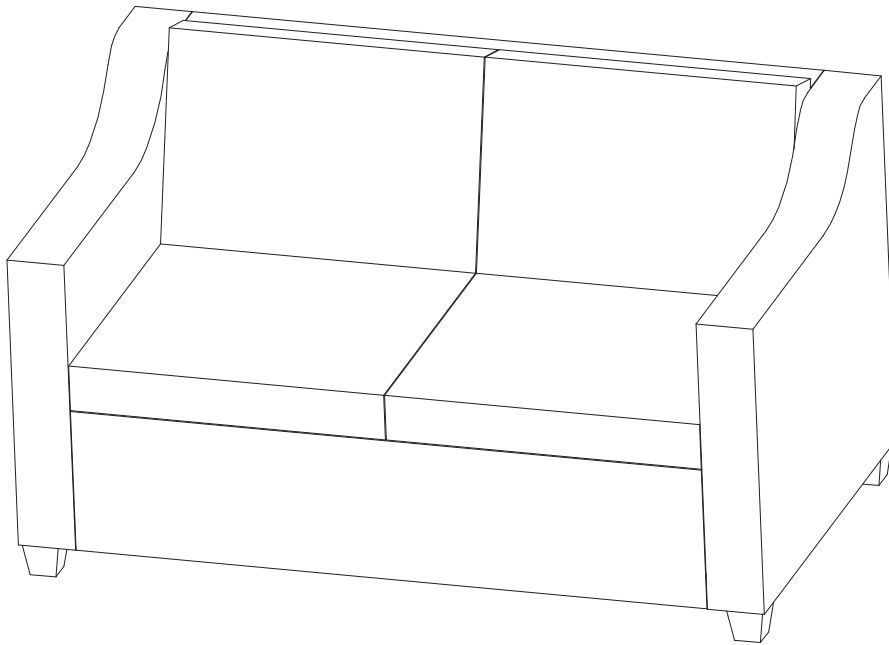
1-855-HD-HAMPTON

HAMPTONBAY.COM

Retain this manual for future use.

USE AND CARE GUIDE

LOVESEAT



Questions, problems, missing parts? Before returning to the store,
call Hampton Bay Customer Service
8 a.m. - 7 p.m., EST, Monday – Friday, 9 a.m. – 6 p.m., EST, Saturday

1-855-HD-HAMPTON

HAMPTONBAY.COM

THANK YOU

We appreciate the trust and confidence you have placed in Hampton Bay through the purchase of this Side table. We strive to continually create quality products designed to enhance your home. Visit us online to see our full line of products available for your home improvement needs. Thank you for choosing Hampton Bay!

Table of Contents

Table of Contents	2	Pre-Installation.....	3
THD - TOC2	2	Hardware Included.....	3
Safety Information	2	Package Contents	4
What is covered.....	3	Installation.....	5
What is not covered.....	3	Care & Cleaning	6
Warranty	3	Service Parts.....	7

Important Safety Instructions

SAVE THESE INSTRUCTIONS

READ ALL INSTRUCTIONS BEFORE USE

To reduce the risk of injury to persons:

1. Close supervision is necessary when this furnishing is used by or near children, or disabled persons, if applicable.
2. Use this furnishing only for its intended use as described in these instructions. Do not use attachments not recommended by the manufacturer.

SET UP YOUR FURNITURE PROPERLY

1. Ensure that all parts are assembled properly and fully tightened as per the instructions.
2. When placing in the desired location, ensure that all legs are resting on the same surface.

EXAMINE YOUR FURNITURE

Examine occasionally to ensure that there are no loose parts. If loose parts are found, they must be re-tightened fully before additional use.

OBERVE WEIGHT LIMITS

The weight limits for the following products are listed below:

- | | |
|--|---|
| <input type="checkbox"/> Chair: 300 lbs | <input type="checkbox"/> Sofa: 700 lbs |
| <input type="checkbox"/> Swivel Chair: 300 lbs | <input type="checkbox"/> Rocking Chair: 300 lbs |
| <input type="checkbox"/> Loveseat: 500 lbs | <input type="checkbox"/> Chaise Lounge: 300 lbs |
| <input type="checkbox"/> Ottoman: 150 lbs | <input type="checkbox"/> Dining Table: 100 lbs |
| <input type="checkbox"/> Table: 50 lbs | <input type="checkbox"/> Dining Chair: 200 lbs |



CAUTION: If you overload your furniture, injuries can occur.

Warranty

TWO YEAR FRAME, WEAVE AND FABRIC LIMITED WARRANTY

WHAT IS COVERED

We warrant the frame, weave and fabric to be free of manufacturing defects to the original purchaser for two years. For glass table top we warrant 30 days from the date of purchase.

WHAT IS NOT COVERED

This warranty does not cover commercial use, hardware, acts of nature, fire, freezing and abusive use. In addition, purchased parts are not covered under this warranty.

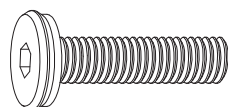
We reserve the right to make substitutions with similar merchandise, if the model in question is no longer in production. Contact the Customer Service Team at 1-855-HD-HAMPTON or visit www.Hamptonbay.com.

Pre-Installation

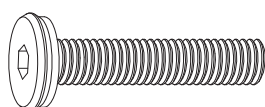
PLANNING INSTALLATION

To prevent damage, place all parts on a soft surface during assembly. Remove all protective caps before beginning assembly.

HARDWARE INCLUDED



A



B



C

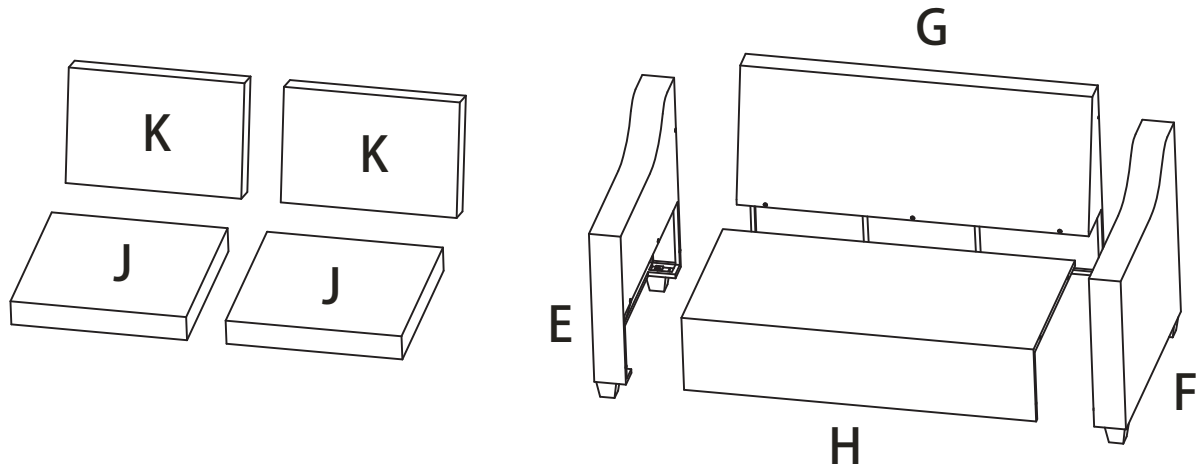


D

Part	Description	Quantity
A	Bolt M6x40mm	6
B	Bolt M6x50mm	7
C	Washer ϕ 6mm	13
D	Hex wrench 4mm	1

Pre-Installation

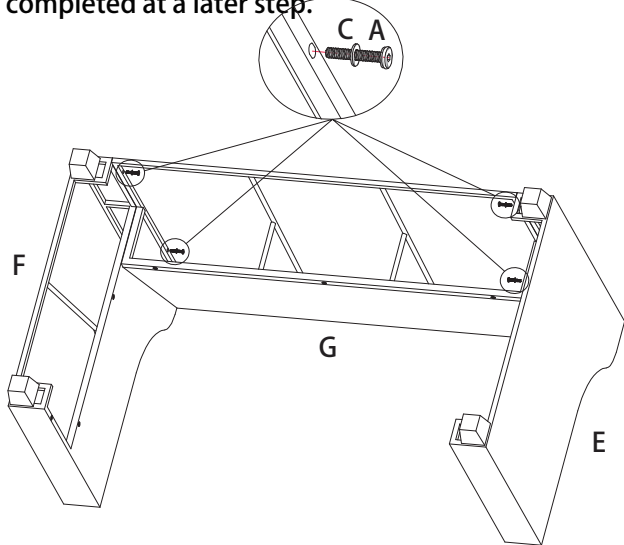
PACKAGE CONTENTS(CHaise)



Part	Description	Quantity
E	Left arm	1
F	Right arm	1
G	The back of loveseat	1
H	The seat of loveseat	1
J	Seat cushion	2
K	Back cushion	2

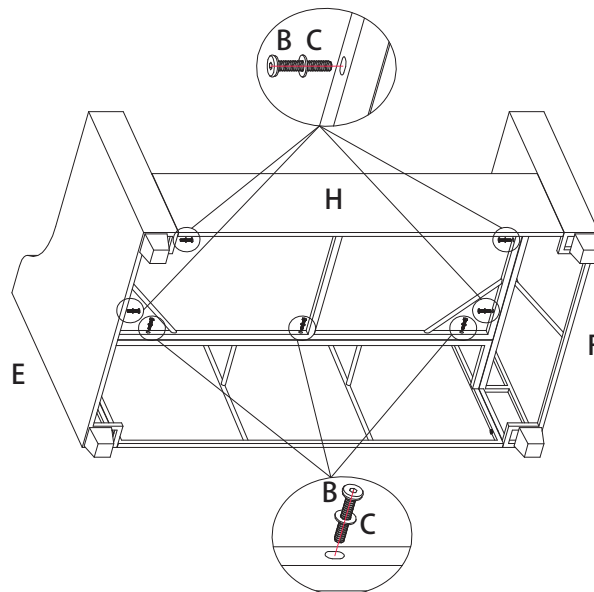
1 Attaching the back to the armrest

- Place the back (G) on a soft surface.
- Attach armrest (E), to the back (G) as shown, using bolts (A) with washers (C). Do not tighten completely. This will be completed at a later step.
- Attach armrest (F), to the back (G) as shown, using bolts (A) with washers (C). Do not tighten completely. This will be completed at a later step.



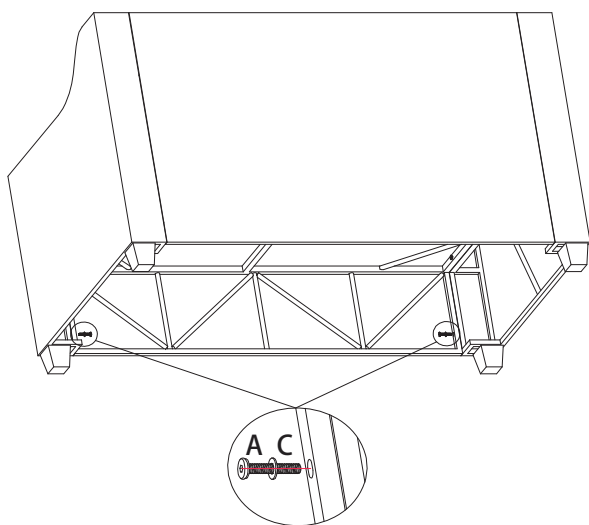
2 Attaching the seat to the back and armrest

- Attach the seat (H) to the back (G) and armrests (E, F).



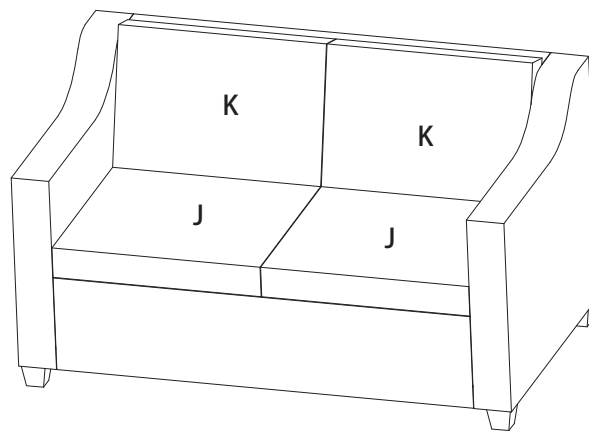
3 Attaching the seat to the armrest

- Attach the seat (H) to armrest (E) and (F) using bolt (A) with washer (C) and hand tighten.
- Tighten all bolts (A) and (B) with washers (C) completely.



4 Completing the assembly

- Place the seat cushion (J) and back cushion (K) on the loveseat.
- This loveseat is now ready for your enjoyment.



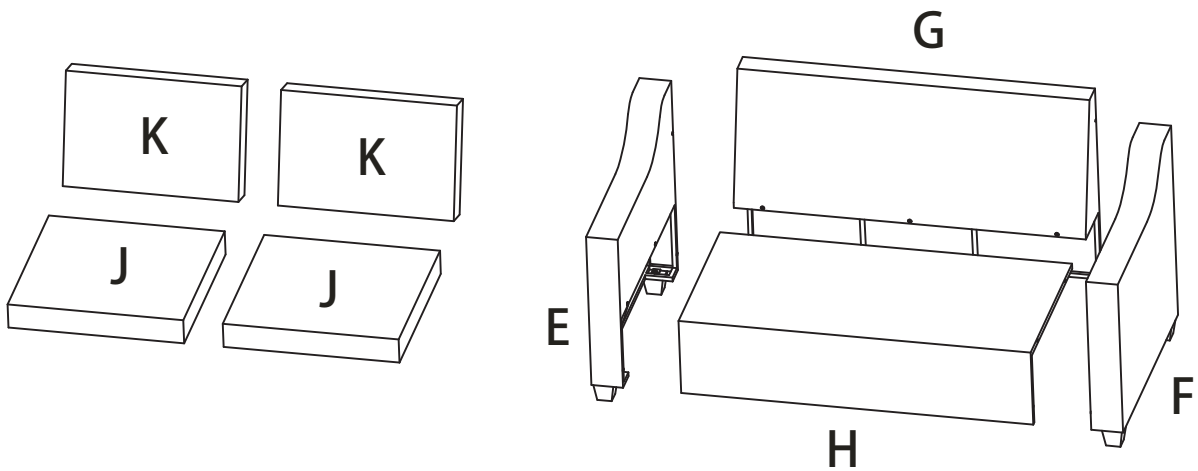
Care and Cleaning

- Before using, wipe with a clean, dry cloth. Do not use bleach or solvents. When not in use, store furniture in a cool, dry place. If your set includes cushions or mesh fabric, they may be cleaned by hand with a mild solution of soap and water.
- Rinse cushion thoroughly and allow to drip dry. Do not machine wash or tumble dry, as cushions may shrink.
- Do not use bleach or solvents on fabrics. When cleaning the table top make sure to use a soft, clean cloth that does not bleed color as well.

Care and Maintenance

- Wash the frame with a mild solution of soap and water, rinse with clean water, and dry thoroughly.
- Cushions may also be cleaned by hand with a mild solution of soap and water. Rinse the cushion cover thoroughly and allow to drip dry. The back cushion and pillow should be spot cleaned with a soft cloth. Do not machine wash or tumble dry, as cushions may shrink. Do not use bleach or solvents on fabrics. Never use cleaners that contain acid or abrasive materials.
- Use and operation: To improve the lifespan of this furniture, cover when not use and store in a dry place in the off season.

MODEL TYPE



Part	Description	Quantity
E	Left arm	1
F	Right arm	1
G	The back of loveseat	1
H	The seat of loveseat	1
J	Seat cushion	2
K	Back cushion	2

HAMPTON BAY®

Questions, problems, missing parts? Before returning to the store,
call Hampton Bay Customer Service
8 a.m. - 7 p.m., EST, Monday – Friday, 9 a.m. – 6 p.m., EST, Saturday

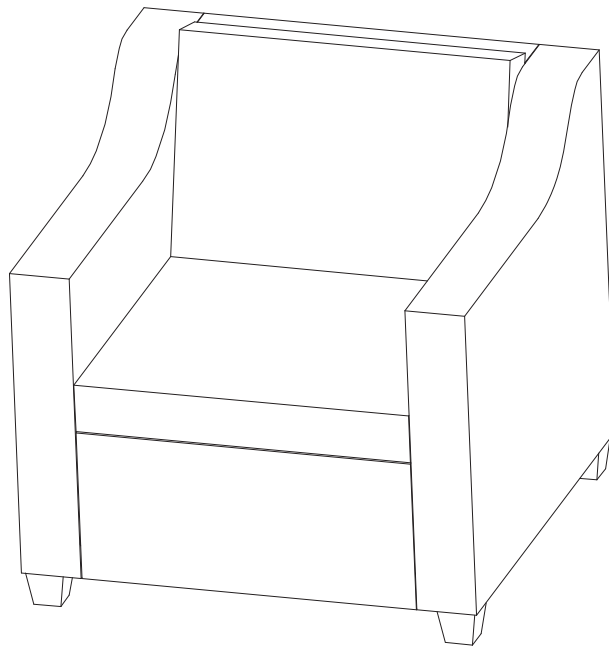
1-855-HD-HAMPTON

HAMPTONBAY.COM

Retain this manual for future use.

USE AND CARE GUIDE

CHAIR BARE



Questions, problems, missing parts? Before returning to the store,
call Hampton Bay Customer Service
8 a.m. - 7 p.m., EST, Monday – Friday, 9 a.m. – 6 p.m., EST, Saturday

1-855-HD-HAMPTON

HAMPTONBAY.COM

THANK YOU

We appreciate the trust and confidence you have placed in Hampton Bay through the purchase of this Side table. We strive to continually create quality products designed to enhance your home. Visit us online to see our full line of products available for your home improvement needs. Thank you for choosing Hampton Bay!

Table of Contents

Table of Contents	2	Pre-Installation.....	3
THD - TOC2	2	Hardware Included.....	3
Safety Information	2	Package Contents	4
What is covered.....	3	Installation.....	5
What is not covered.....	3	Care & Cleaning	6
Warranty.....	3	Service Parts.....	7

Important Safety Instructions

SAVE THESE INSTRUCTIONS

READ ALL INSTRUCTIONS BEFORE USE

To reduce the risk of injury to persons:

1. Close supervision is necessary when this furnishing is used by or near children, or disabled persons, if applicable.
2. Use this furnishing only for its intended use as described in these instructions. Do not use attachments not recommended by the manufacturer.

SET UP YOUR FURNITURE PROPERLY

1. Ensure that all parts are assembled properly and fully tightened as per the instructions.
2. When placing in the desired location, ensure that all legs are resting on the same surface.

EXAMINE YOUR FURNITURE

Examine occasionally to ensure that there are no loose parts. If loose parts are found, they must be re-tightened fully before additional use.

OBERVE WEIGHT LIMITS

The weight limits for the following products are listed below:

- | | |
|--|---|
| <input type="checkbox"/> Chair: 300 lbs | <input type="checkbox"/> Sofa: 700 lbs |
| <input type="checkbox"/> Swivel Chair: 300 lbs | <input type="checkbox"/> Rocking Chair: 300 lbs |
| <input type="checkbox"/> Loveseat: 500 lbs | <input type="checkbox"/> Chaise Lounge: 300 lbs |
| <input type="checkbox"/> Ottoman: 150 lbs | <input type="checkbox"/> Dining Table: 100 lbs |
| <input type="checkbox"/> Table: 50 lbs | <input type="checkbox"/> Dining Chair: 200 lbs |



CAUTION: If you overload your furniture, injuries can occur.

Warranty

TWO YEAR FRAME, WEAVE AND FABRIC LIMITED WARRANTY

WHAT IS COVERED

We warrant the frame, weave and fabric to be free of manufacturing defects to the original purchaser for two years. For glass table top we warrant 30 days from the date of purchase.

WHAT IS NOT COVERED

This warranty does not cover commercial use, hardware, acts of nature, fire, freezing and abusive use. In addition, purchased parts are not covered under this warranty.

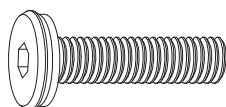
We reserve the right to make substitutions with similar merchandise, if the model in question is no longer in production. Contact the Customer Service Team at 1-855-HD-HAMPTON or visit www.Hamptonbay.com.

Pre-Installation

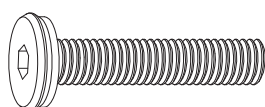
PLANNING INSTALLATION

To prevent damage, place all parts on a soft surface during assembly. Remove all protective caps before beginning assembly.

HARDWARE INCLUDED



A



B



C

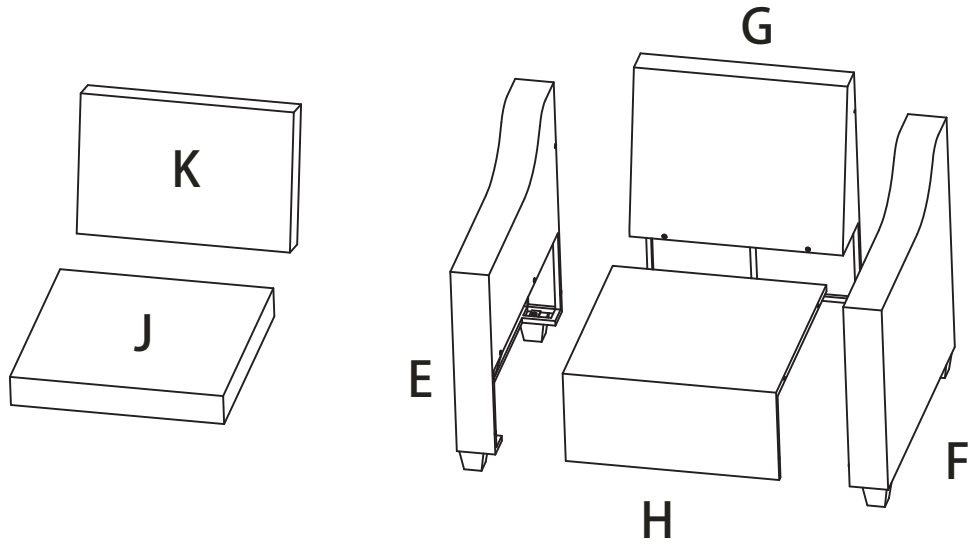


D

Part	Description	Quantity
A	Bolt M6x40mm	6
B	Bolt M6x50mm	6
C	Washer ϕ 6mm	12
D	Hex wrench 4mm	1

Pre-Installation

PACKAGE CONTENTS(CHAISE)

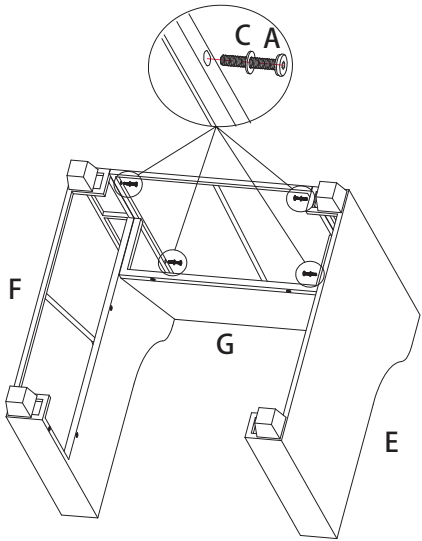


Part	Description	Quantity
E	Left arm	1
F	Right arm	1
G	The back of chaise	1
H	The seat of chaise	1
J	Seat cushion	1
K	Back cushion	1

Installation

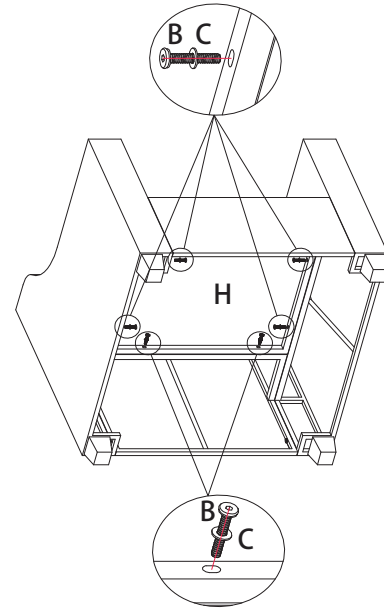
1 Attaching the back to the armrest

- Place the back (G) on a soft surface.
- Insert armrest (E), on the back (G) as shown, using bolts (A) with washer (C) and tighten. Do not tighten completely .
- Insert armrest (F), on the back (G) as shown, using bolts (A) with washer (C) and tighten. Do not tighten completely .



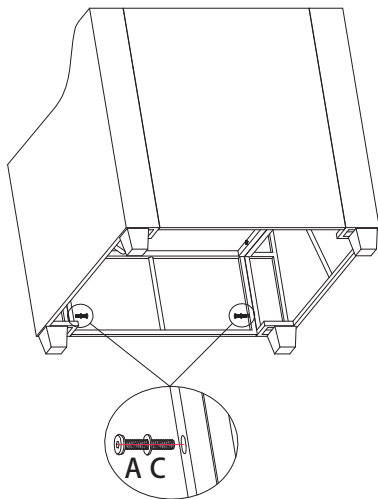
2 Attaching the seat to the back and armrest

- Attach the seat (H) to back (G) and armrest (E) and (F) using bolt (B) with washer (C) and hand tighten, Do not tighten completely .



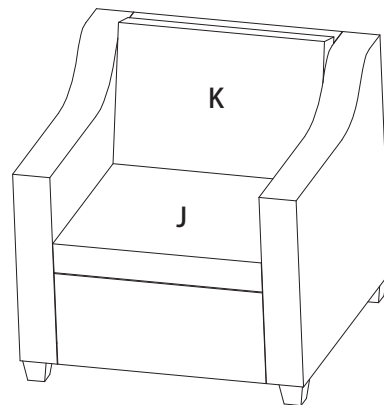
3 Attaching the seat to the armrest

- Attach the seat (H) to armrest (E) and (F) using bolt (A) with washer (C) and hand tighten.
- Tighten all bolts(A) and (B) with washers (C) completely.



4 Completing the assembly

- Put the seat cushion (J) and back cushion (K) on the sofa.
- This sofa is now ready for your enjoyment.



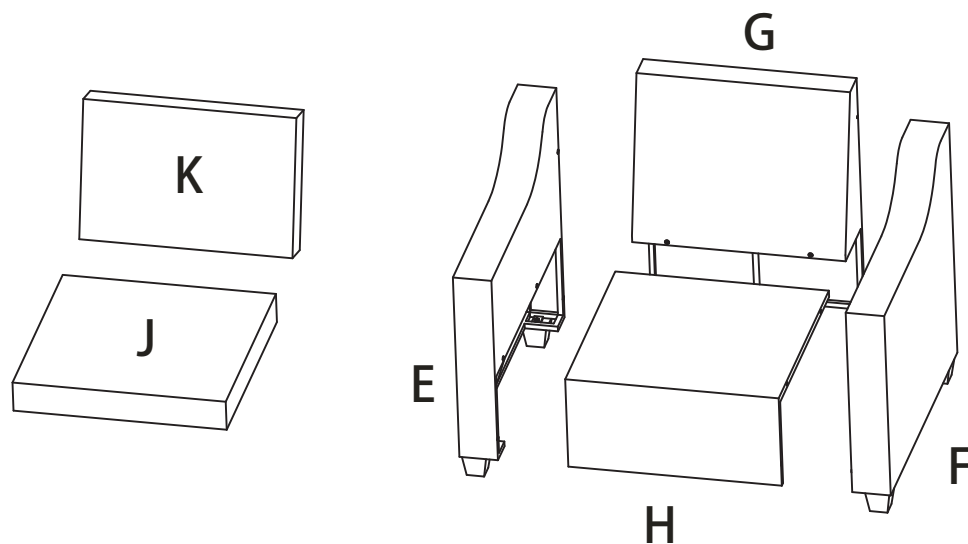
Care and Cleaning

- Before using, wipe with a clean, dry cloth. Do not use bleach or solvents. When not in use, store furniture in a cool, dry place. If your set includes cushions or mesh fabric, they may be cleaned by hand with a mild solution of soap and water.
- Rinse cushion thoroughly and allow to drip dry. Do not machine wash or tumble dry, as cushions may shrink.
- Do not use bleach or solvents on fabrics. When cleaning the table top make sure to use a soft, clean cloth that does not bleed color as well.

Care and Maintenance

- Wash the frame with a mild solution of soap and water, rinse with clean water, and dry thoroughly.
- Cushions may also be cleaned by hand with a mild solution of soap and water. Rinse the cushion cover thoroughly and allow to drip dry. The back cushion and pillow should be spot cleaned with a soft cloth. Do not machine wash or tumble dry, as cushions may shrink. Do not use bleach or solvents on fabrics. Never use cleaners that contain acid or abrasive materials.
- Use and operation: To improve the lifespan of this furniture, cover when not use and store in a dry place in the off season.

MODEL TYPE



Part	Description	Quantity
E	Left arm	1
F	Right arm	1
G	The back of chaise	1
H	The seat of chaise	1
J	Seat cushion	1
K	Back cushion	1

HAMPTON BAY®

Questions, problems, missing parts? Before returning to the store,
call Hampton Bay Customer Service
8 a.m. - 7 p.m., EST, Monday – Friday, 9 a.m. – 6 p.m., EST, Saturday

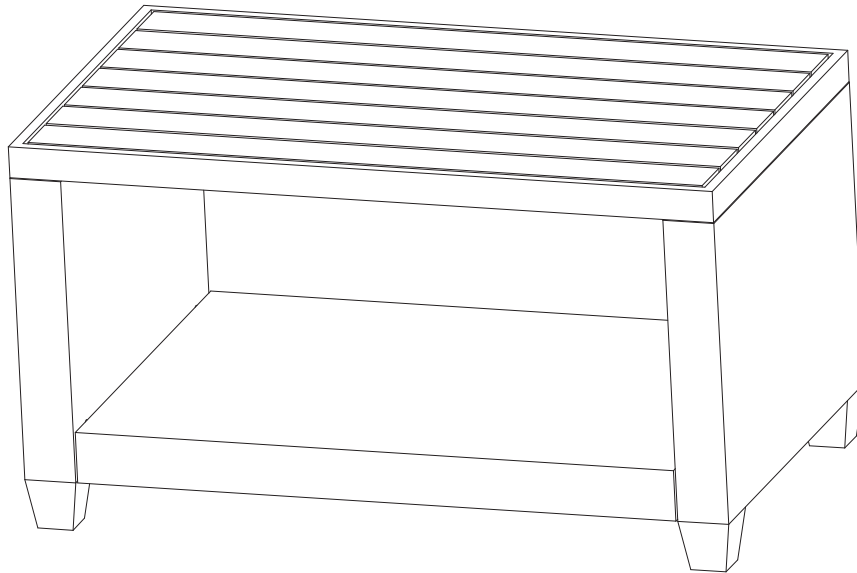
1-855-HD-HAMPTON

HAMPTONBAY.COM

Retain this manual for future use.

USE AND CARE GUIDE

LARGE COFFEE TABLE



Questions, problems, missing parts? Before returning to the store,
call Hampton Bay Customer Service
8 a.m. - 7 p.m., EST, Monday – Friday, 9 a.m. – 6 p.m., EST, Saturday

1-855-HD-HAMPTON

HAMPTONBAY.COM

THANK YOU

We appreciate the trust and confidence you have placed in Hampton Bay through the purchase of this Side table. We strive to continually create quality products designed to enhance your home. Visit us online to see our full line of products available for your home improvement needs. Thank you for choosing Hampton Bay!

Table of Contents

Table of Contents	2	Pre-Installation.....	3
THD - TOC2	2	Hardware Included.....	3
Safety Information	2	Package Contents	4
What is covered.....	3	Installation.....	5
What is not covered.....	3	Care & Cleaning	6
Warranty.....	3	Service Parts.....	7

Important Safety Instructions

SAVE THESE INSTRUCTIONS

READ ALL INSTRUCTIONS BEFORE USE

To reduce the risk of injury to persons:

1. Close supervision is necessary when this furnishing is used by or near children, or disabled persons, if applicable.
2. Use this furnishing only for its intended use as described in these instructions. Do not use attachments not recommended by the manufacturer.

SET UP YOUR FURNITURE PROPERLY

1. Ensure that all parts are assembled properly and fully tightened as per the instructions.
2. When placing in the desired location, ensure that all legs are resting on the same surface.

EXAMINE YOUR FURNITURE

Examine occasionally to ensure that there are no loose parts. If loose parts are found, they must be re-tightened fully before additional use.

OBERVE WEIGHT LIMITS

The weight limits for the following products are listed below:

- | | |
|--|---|
| <input type="checkbox"/> Chair: 300 lbs | <input type="checkbox"/> Sofa: 700 lbs |
| <input type="checkbox"/> Swivel Chair: 300 lbs | <input type="checkbox"/> Rocking Chair: 300 lbs |
| <input type="checkbox"/> Loveseat: 500 lbs | <input type="checkbox"/> Chaise Lounge: 300 lbs |
| <input type="checkbox"/> Ottoman: 150 lbs | <input type="checkbox"/> Dining Table: 100 lbs |
| <input type="checkbox"/> Table: 50 lbs | <input type="checkbox"/> Dining Chair: 200 lbs |



CAUTION: If you overload your furniture, injuries can occur.

Warranty

TWO YEAR FRAME, WEAVE AND FABRIC LIMITED WARRANTY

WHAT IS COVERED

We warrant the frame, weave and fabric to be free of manufacturing defects to the original purchaser for two years. For glass table top we warrant 30 days from the date of purchase.

WHAT IS NOT COVERED

This warranty does not cover commercial use, hardware, acts of nature, fire, freezing and abusive use. In addition, purchased parts are not covered under this warranty.

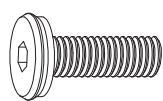
We reserve the right to make substitutions with similar merchandise, if the model in question is no longer in production. Contact the Customer Service Team at 1-855-HD-HAMPTON or visit www.Hamptonbay.com.

Pre-Installation

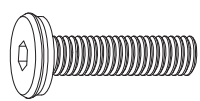
PLANNING INSTALLATION

To prevent damage, place all parts on a soft surface during assembly. Remove all protective caps before beginning assembly.

HARDWARE INCLUDED



A



B



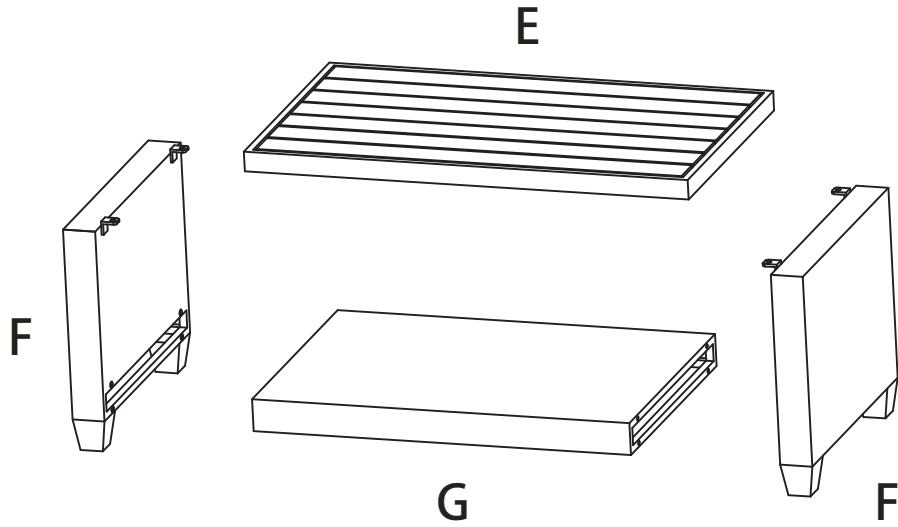
C



D

Part	Description	Quantity
A	Bolt M6x20mm	4
B	Bolt M6x40mm	8
C	Washer ϕ 6mm	12
D	Hex wrench 4mm	1

PACKAGE CONTENTS

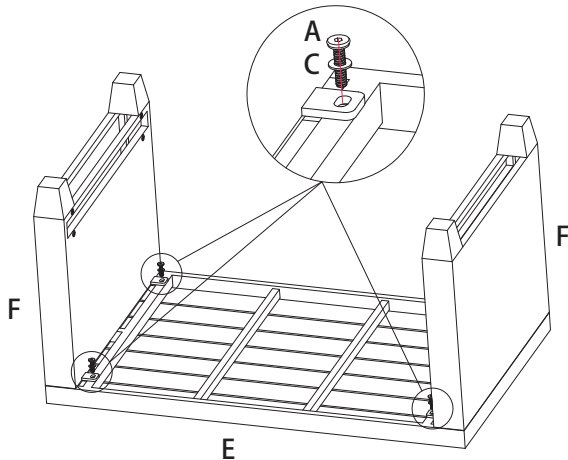


Part	Description	Quantity
E	Table top	1
F	Legs	2
G	Lower shelf	1

Installation

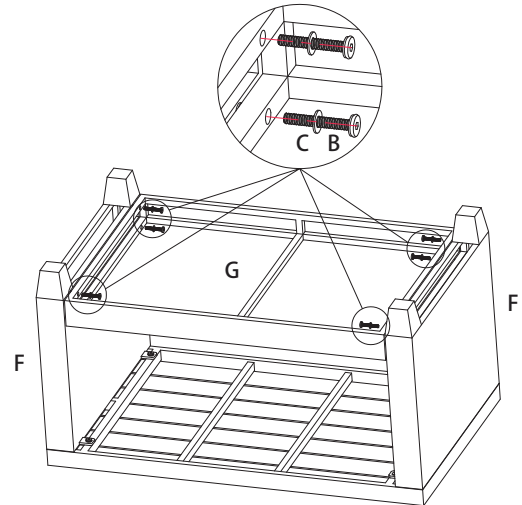
1 Attaching the legs to the top

- Place the top (E) on a soft surface.
- Insert each leg (F) with shelf supports facing the center into the four holes on the table top (E) as shown.
- Attach legs (F) to the table top (E) using the washers (C) and bolts (A), and hand tighten. Do not tighten completely.



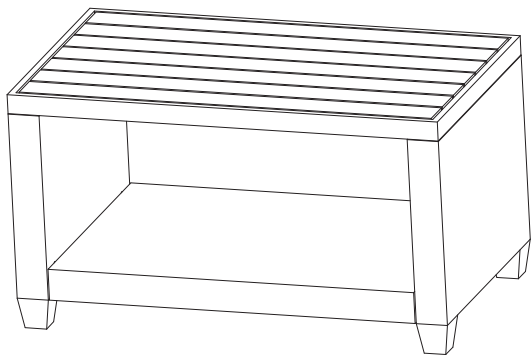
2 Attaching the shelf to the legs

- Attach the shelf (G) to the legs (F) by aligning holes on the shelf (G) with the holes on the legs (F). The shelf must be attached as shown in the image. Insert bolts (B) with washers (C) and hand tighten.
- Tighten all bolts (A) and (B) with washers (C) completely.



3 Completing the assembly

- Place the table right side up.
- This table is now ready for your enjoyment.



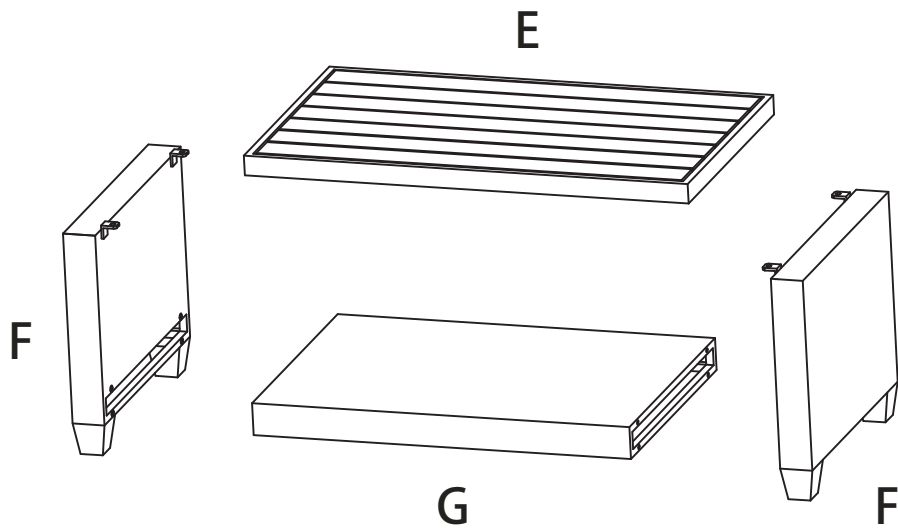
Care and Cleaning

- Before using, wipe with a clean, dry cloth. Do not use bleach or solvents. When not in use, store furniture in a cool, dry place. If your set includes cushions or mesh fabric, they may be cleaned by hand with a mild solution of soap and water.
- Rinse cushion thoroughly and allow to drip dry. Do not machine wash or tumble dry, as cushions may shrink.
- Do not use bleach or solvents on fabrics. When cleaning the table top make sure to use a soft, clean cloth that does not bleed color as well.

Care and Maintenance

- Wash the frame with a mild solution of soap and water, rinse with clean water, and dry thoroughly.
- Cushions may also be cleaned by hand with a mild solution of soap and water. Rinse the cushion cover thoroughly and allow to drip dry. The back cushion and pillow should be spot cleaned with a soft cloth. Do not machine wash or tumble dry, as cushions may shrink. Do not use bleach or solvents on fabrics. Never use cleaners that contain acid or abrasive materials.
- Use and operation: To improve the lifespan of this furniture, cover when not use and store in a dry place in the off season.

MODEL TYPE



Part	Description	Quantity
E	Table top	1
F	Leg	2
G	Lower shelf	1

HAMPTON BAY®

Questions, problems, missing parts? Before returning to the store,
call Hampton Bay Customer Service
8 a.m. - 7 p.m., EST, Monday – Friday, 9 a.m. – 6 p.m., EST, Saturday

1-855-HD-HAMPTON

HAMPTONBAY.COM

Retain this manual for future use.