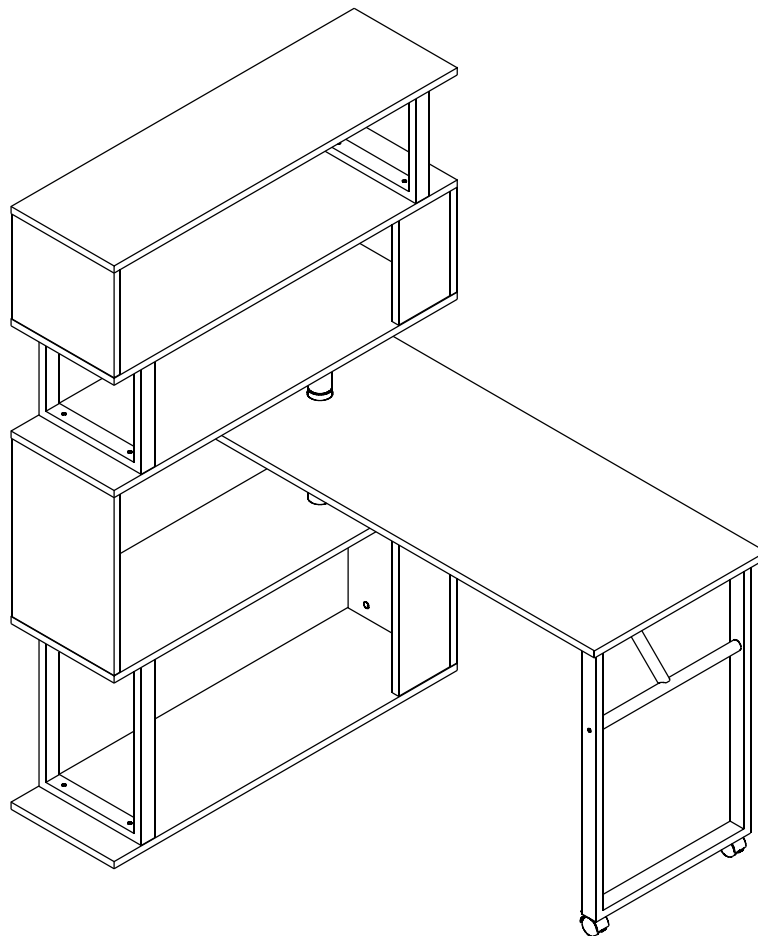


HOGA-C0245/HOGA-C0246 Multifunctional Computer Desk

Tribesigns
Way to origin



Thanks for purchasing one of our products, please read carefully the assembly instructions before the installation (Attention: Do not tighten the screws before all screws are in place). THIS INSTRUCTION BOOKLET CONTAINS IMPORTANT SAFETY INFORMATION. PLEASE READ AND KEEP FOR FUTURE REFERENCE.

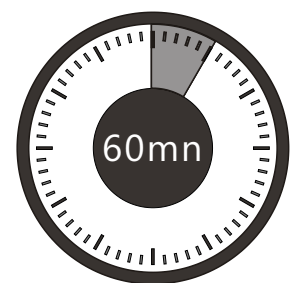
Do Not Return This Product!

Contact our customer service team
for help first

support@tribesigns.com

If for any reason there is anything missing
damaged, incorrect or different from what
you expected.

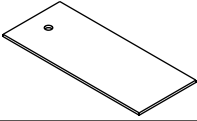
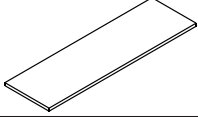
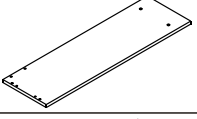
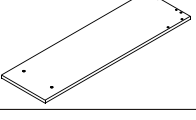
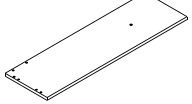
PLEASE contact us for free replacement
instead of hassle of return or other trouble.

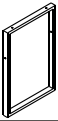
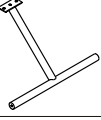

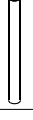


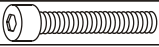
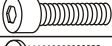
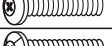
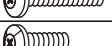

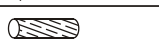

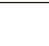
**TWO PEOPLE ARE NECESSARY
FOR THE ASSEMBLY OF THIS
PRODUCT.**






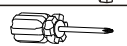

PACKING DETAILS: TOTAL 2 BOXES

BOX 1/2:

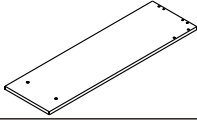
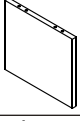
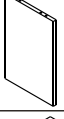
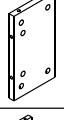

PART NO.	PARTS	QTY
①		X1
②		X1
③		X1
④		X1
⑤		X1

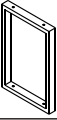
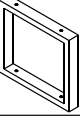

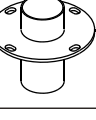
PART NO.	PARTS	QTY
⑪		X1
⑭		X1
⑰		X1
⑱		X1

PART	QTY.	ITEM	
A	1	M10x50mm	
B	1	M10x35mm	
C	2	M8x30mm	
D	14	M6x30mm	
E	10	M6x16mm	
F	40	M6x40mm	
G	16	Ø8x30mm	
H	2	Ø10.2xØ20mm	

PART	QTY.	ITEM	
I	4		
J	2	1.5"	
K	6		
L	40	Ø21	
M	1		
N	1		
O	1		

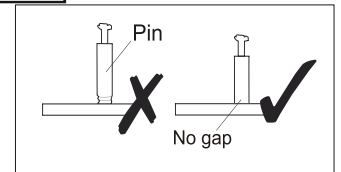
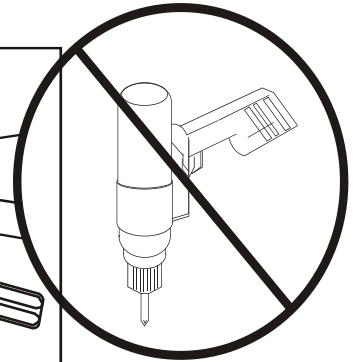
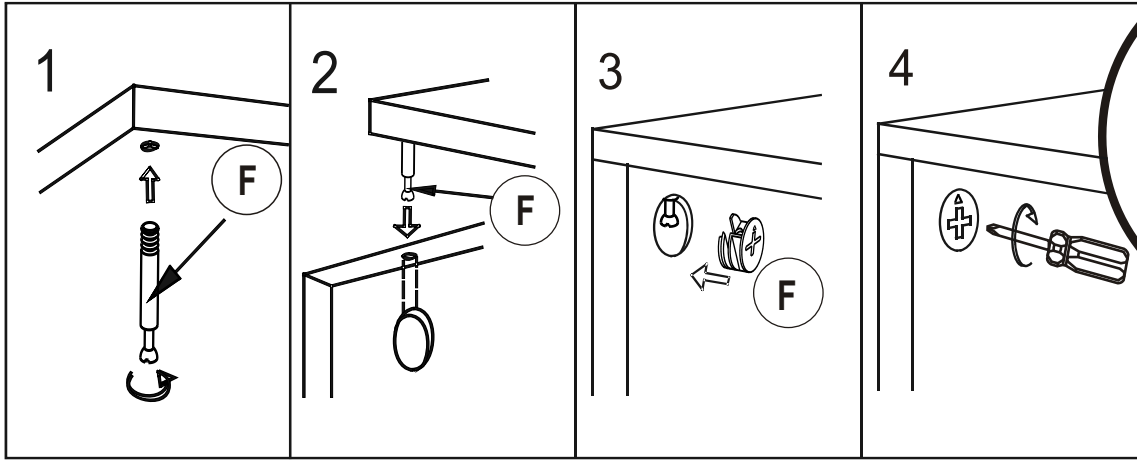
BOX 2/2:

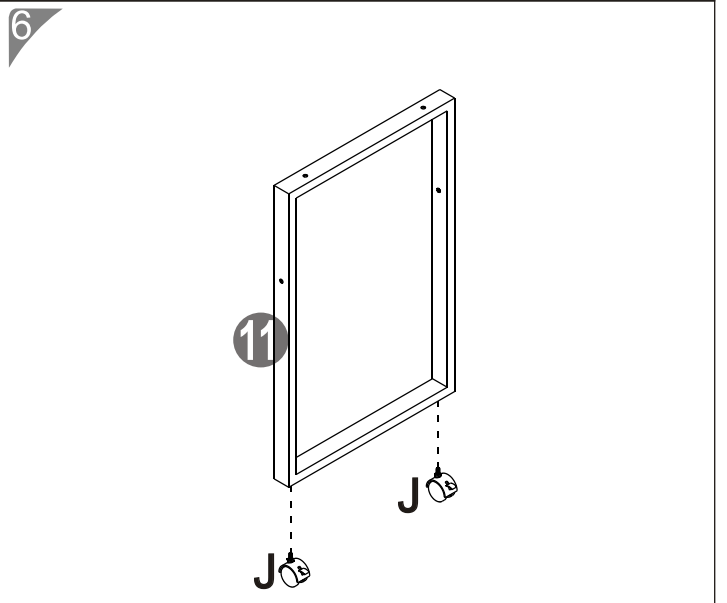
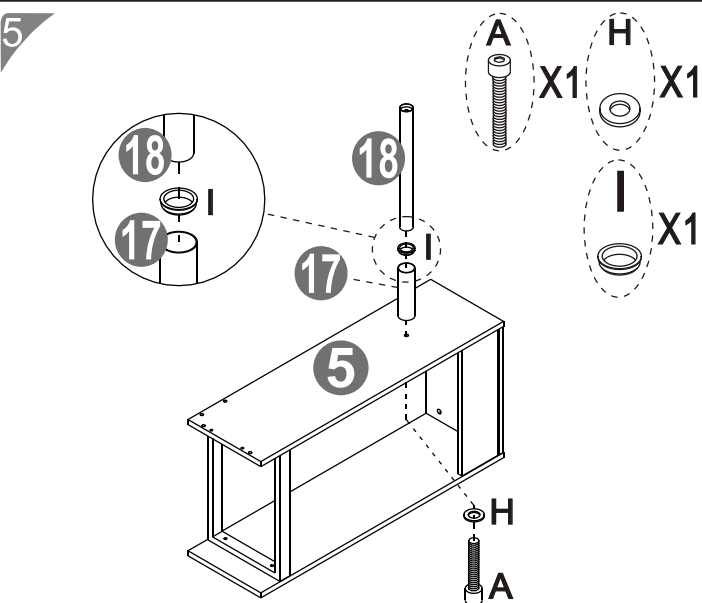
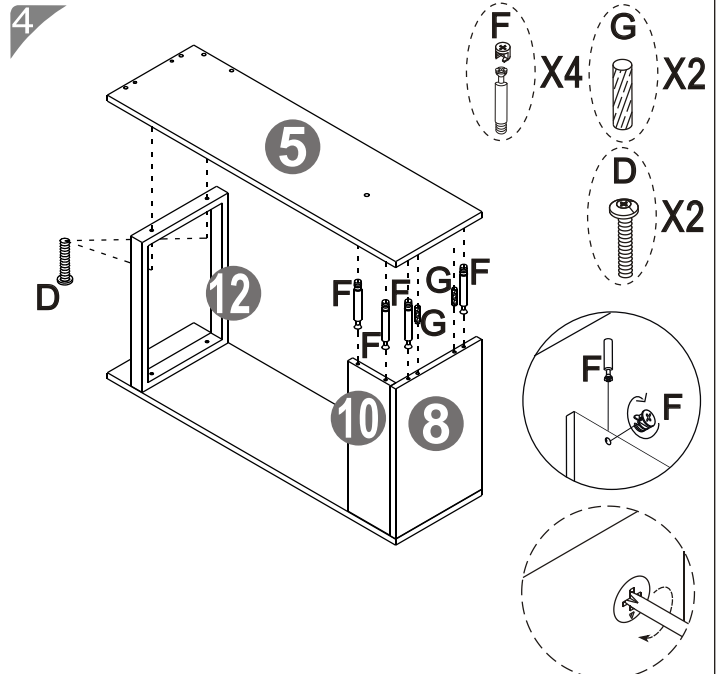
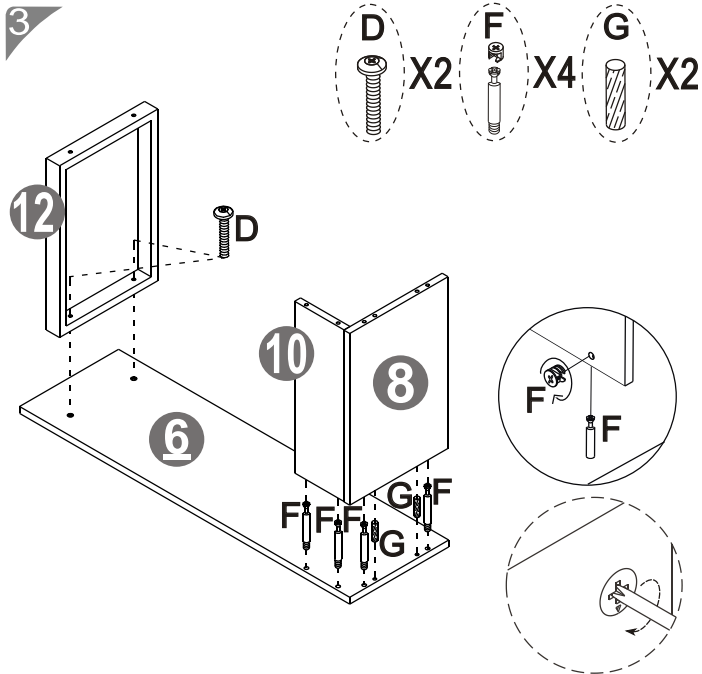
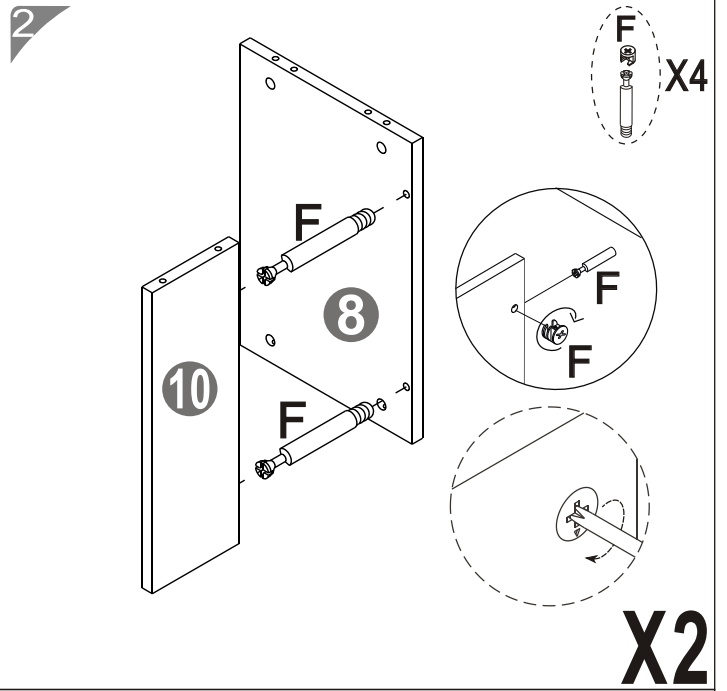
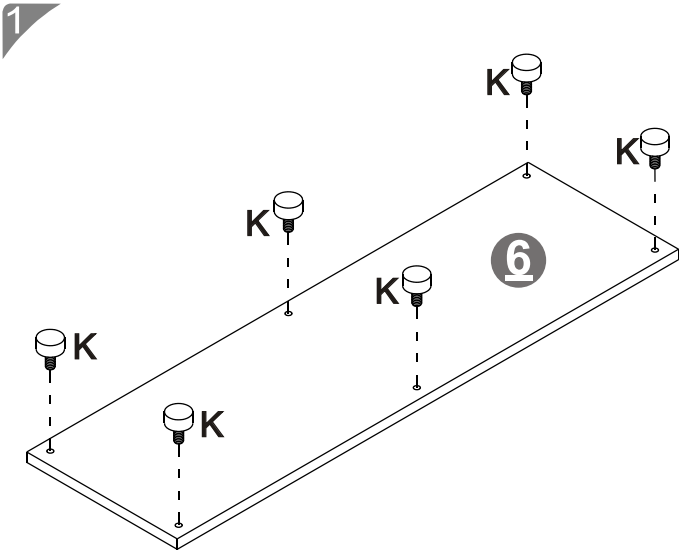
PART NO.	PARTS	QTY
⑥		X1
⑦		X2
⑧		X2
⑨		X2
⑩		X2

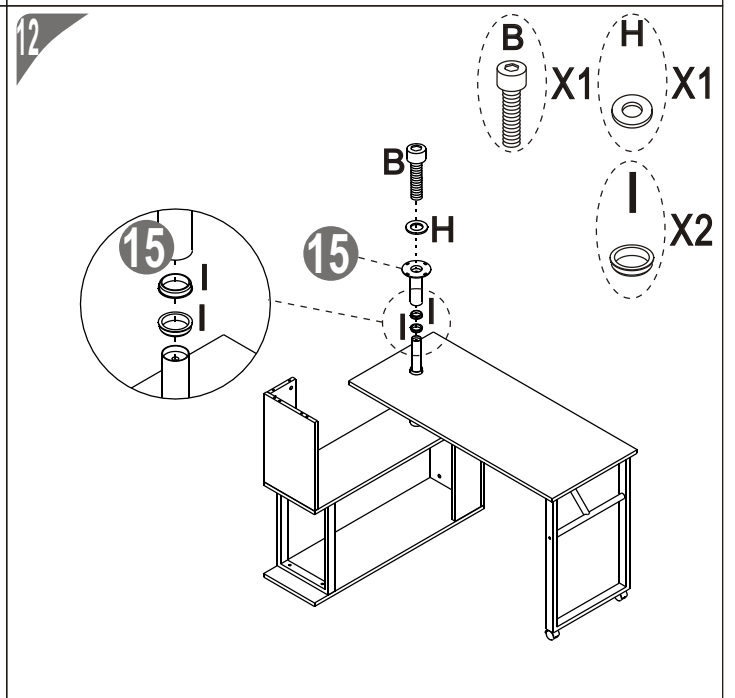
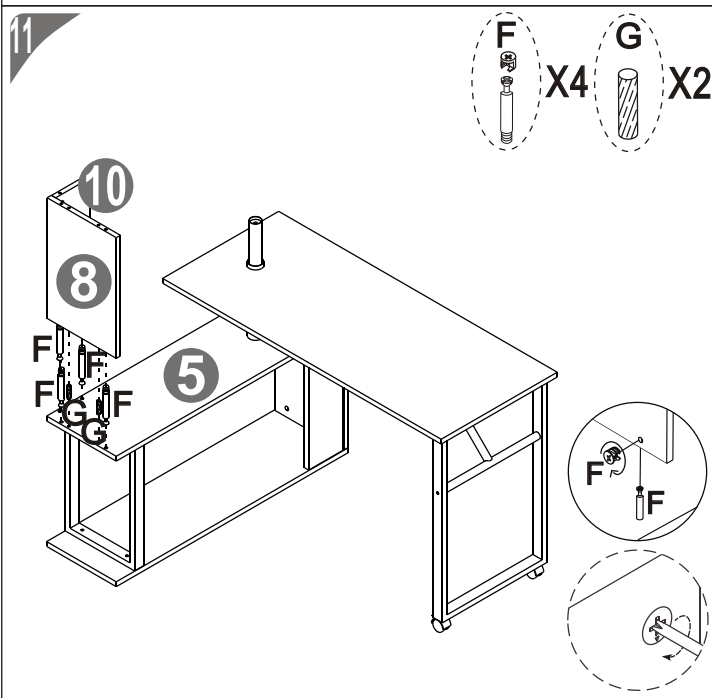
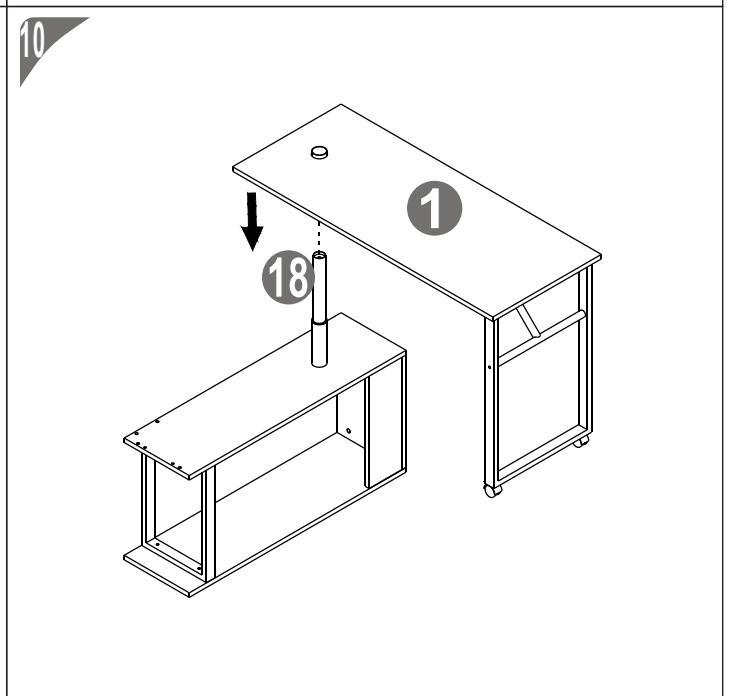
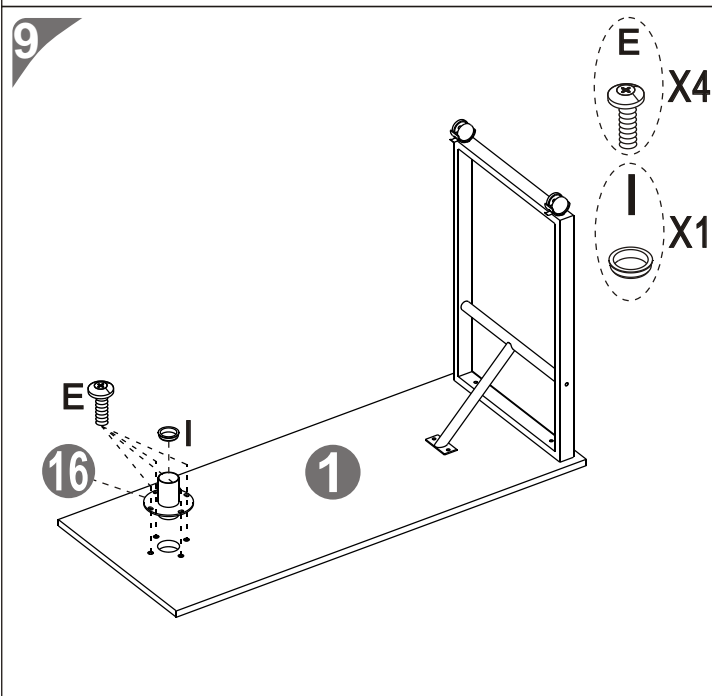
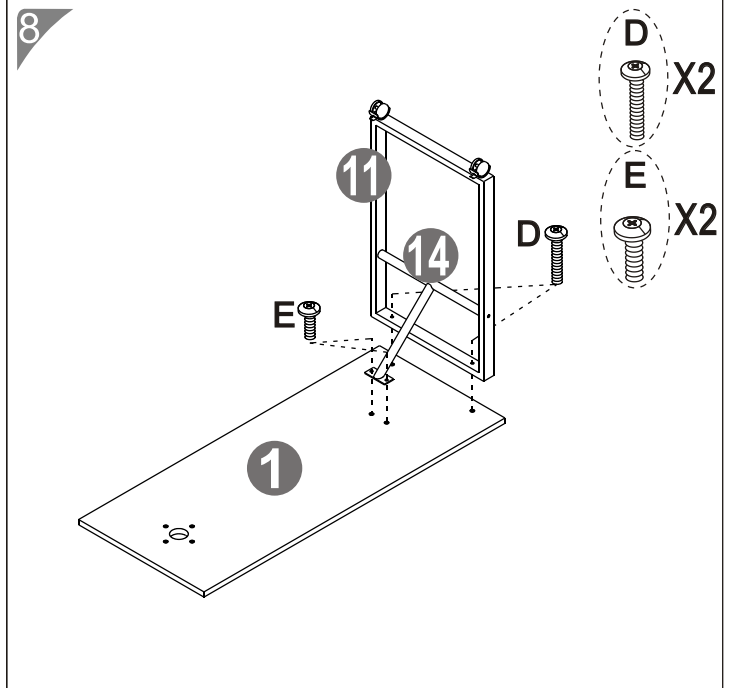
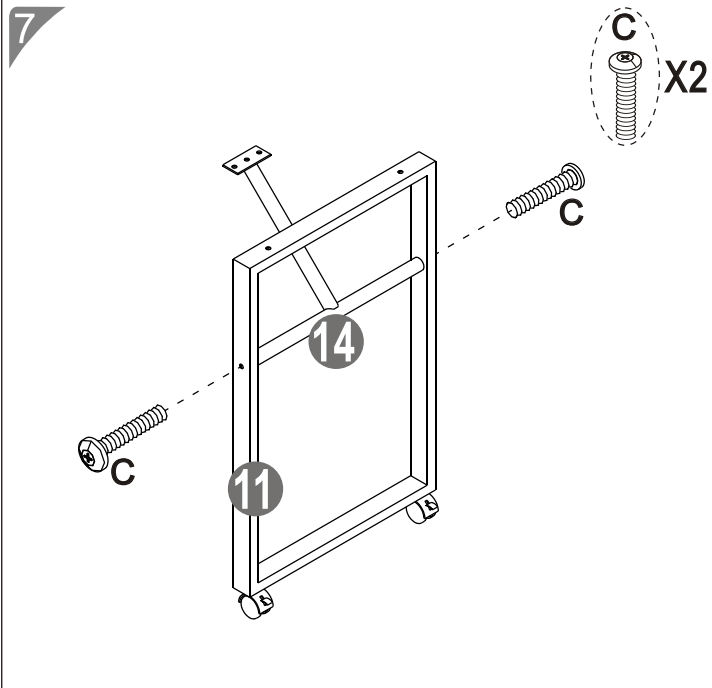
PART NO.	PARTS	QTY
⑫		X1
⑬		X2
⑮		X1
⑯		X1

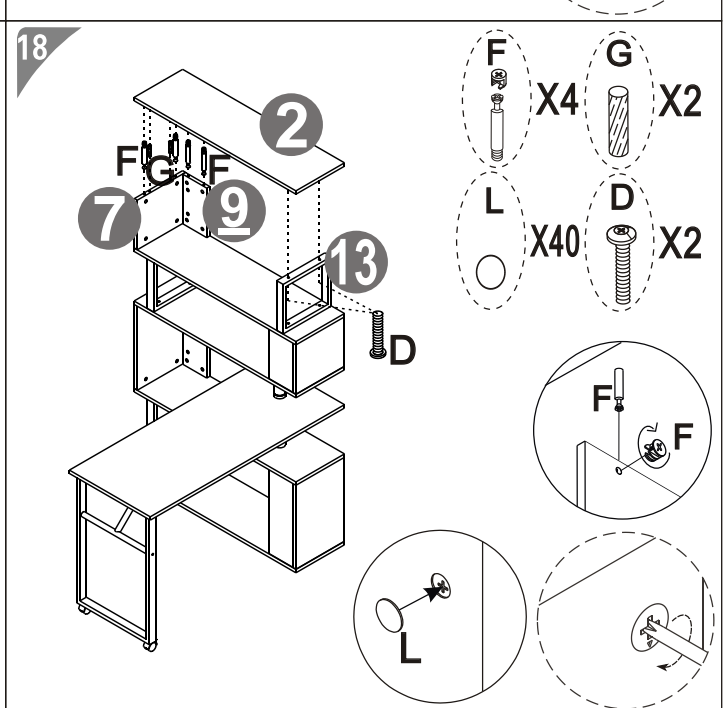
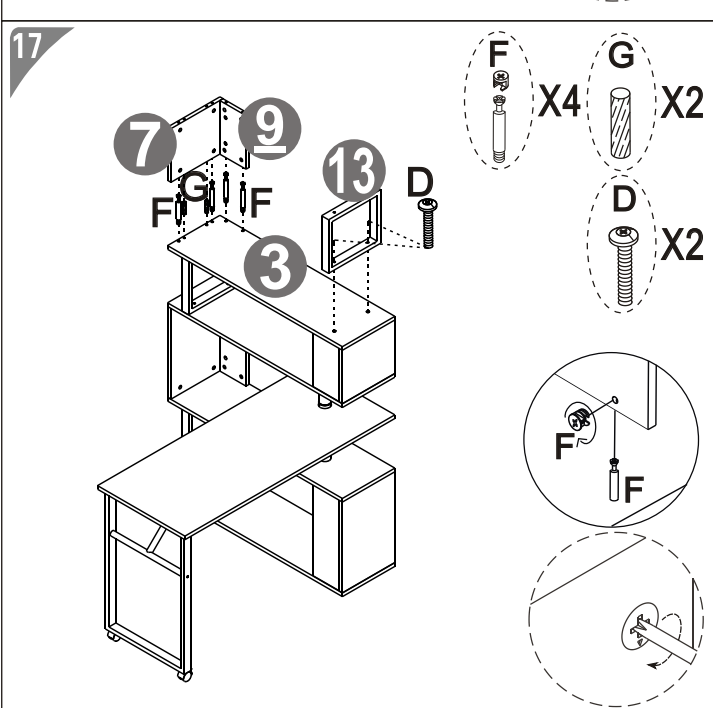
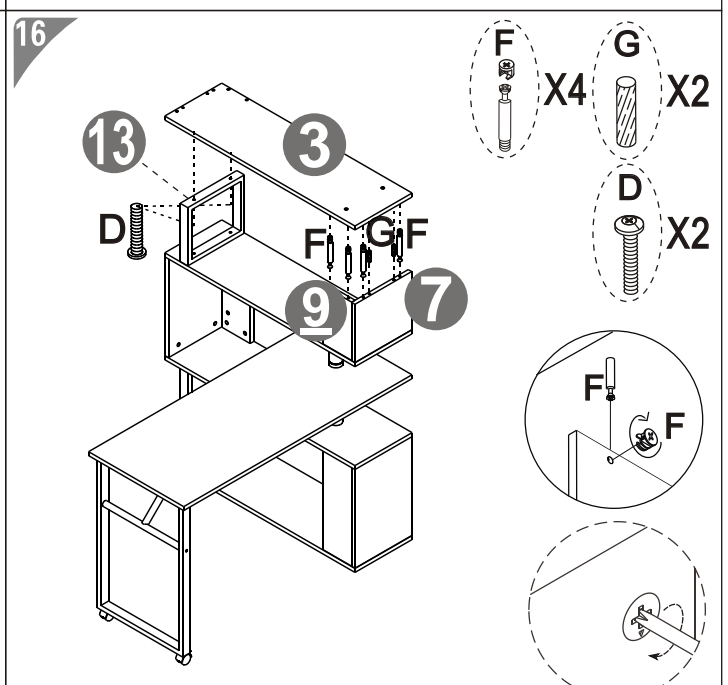
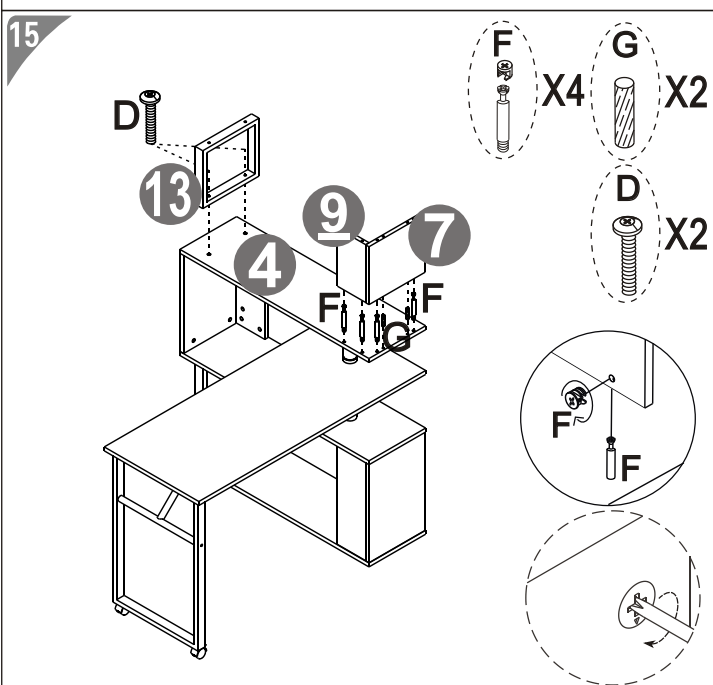
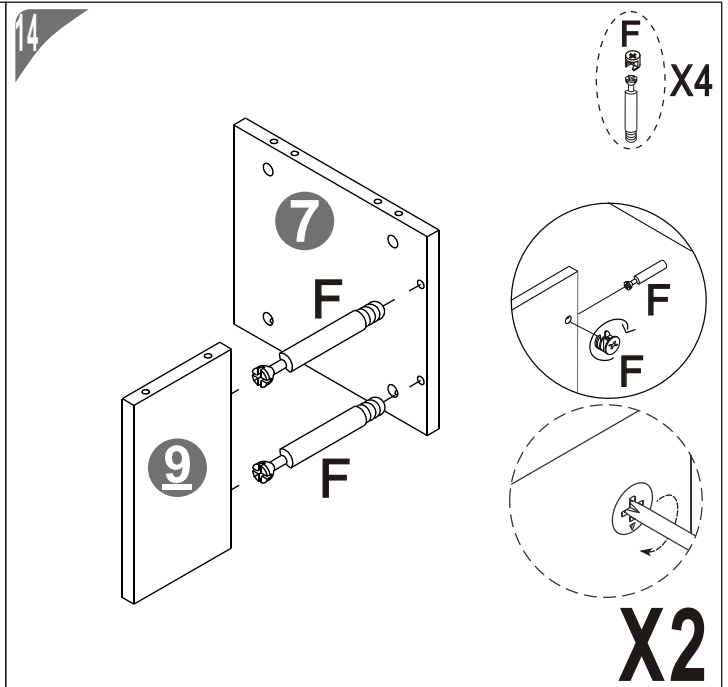
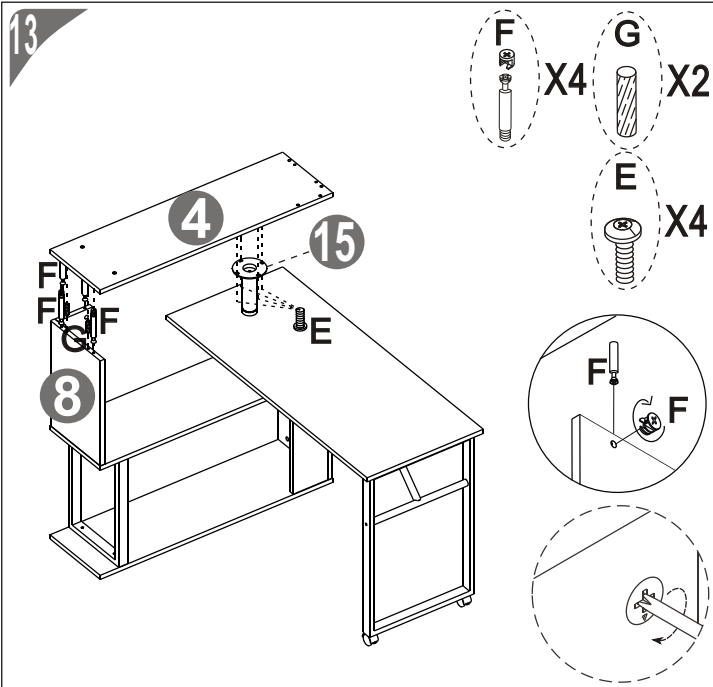
Installation of Cams and Pins :

Screw the Pin into hole. To set Cams correctly, ensure the arrow on the Cam opening to the hole of the Pin it is locking. Lock Cam by turning Cam head with screwdriver to be tighten. Please don't use an electric screwdriver to assemble the unit.











No heartburn, when we handle the return

Give us or shoot us a message,
we will arrange you a free
replacement with zero hassle

Our way



Give us a Email



Replacement



You

support@tribesigns.com

Their way



Re-package item



Schedule pick-up



Track package



Replacement



You

We really don't want you to go through the hassle of re-packaging your item and sending it back, because let's be honest...nobody has time for that.