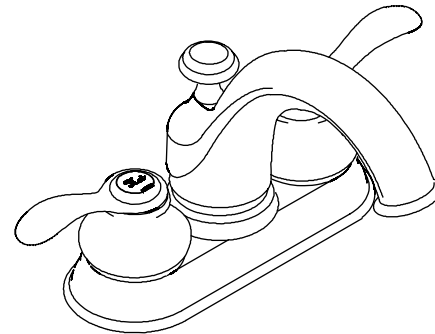


**CENTERSET LAVATORY FAUCET
K-12266**

ADA

Features

- Brass construction
- Cast brass waterway
- Brass valve bodies
- Quarter-turn washerless ceramic disc valves
- 2.2 gallons (8.3 L) per minute
- Lower flow aerator options are available (refer to the Kohler Price Book)
- For 4" (10.2 cm) centers
- 4-1/2" (11.4 cm) spout
- Lever handles
- Pop-up drain with lift rod and tailpiece



Codes/Standards Applicable

Specified model meets or exceeds the following:

- ASME A112.18.1
- CSA B125
- IAPMO/UPC
- NSF 61
- Energy Policy Act of 1992 (EPACT)

Colors/Finishes

- CP: Polished Chrome
- Other: Refer to Price Book for additional colors/finishes

Specified Model:

Model	Description	Color/Finish		
K-12266	Lavatory faucet	<input type="checkbox"/> CP	<input type="checkbox"/> PB	<input type="checkbox"/> Other ____
Optional Accessory				
K-12005	Plug button set	<input type="checkbox"/> Other ____		

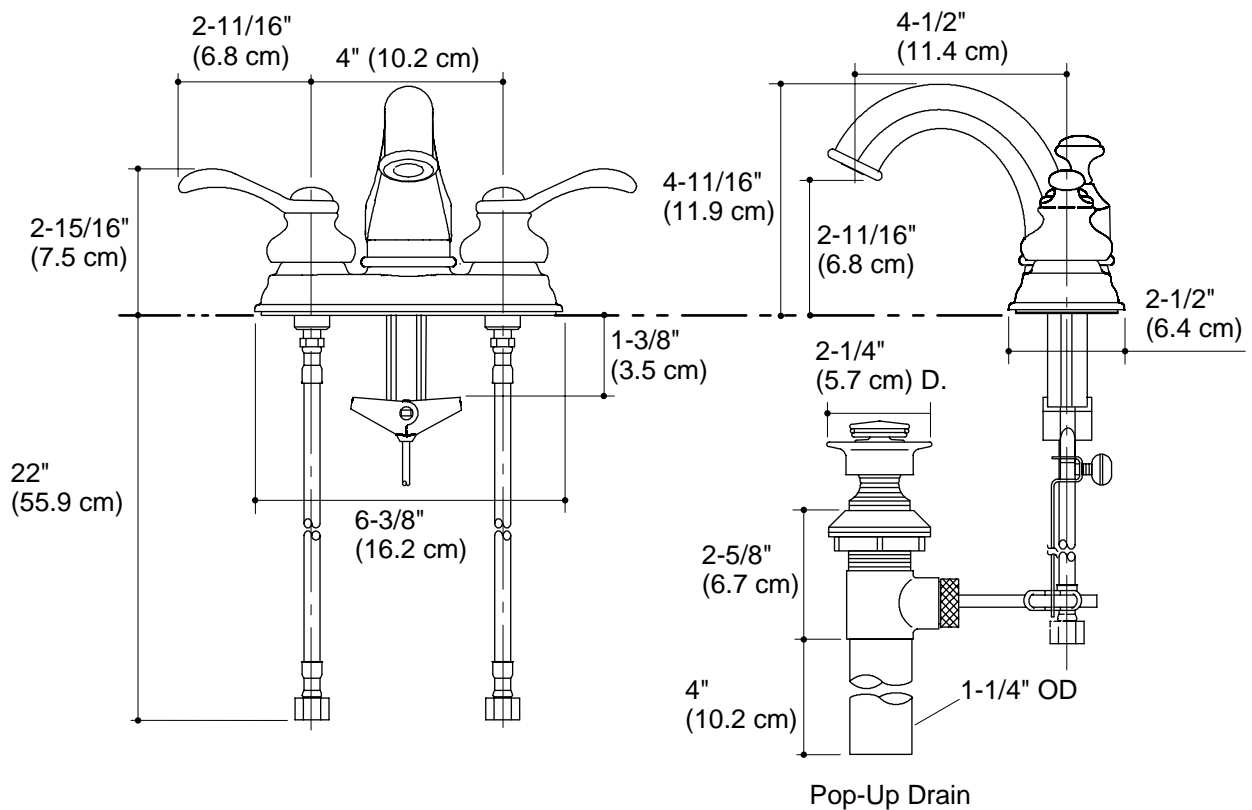
PRODUCT SPECIFICATION

Two-handle centerset lavatory faucet shall be of brass construction. Faucet shall feature brass valve bodies. Faucet shall feature quarter-turn washerless ceramic disc valves, assuring positive handle stop positioning. Faucet shall have a 2.2 gallons (8.3 L) per minute flow rate. Product shall have lower flow aerator options. Product shall include 4" (10.2 cm) centers, 4-1/2" (11.4 cm) spout, pop-up drain with lift rod and tailpiece, and lever handles. Faucet shall be Kohler Model K-12266-_____.

FAIRFAX®

Installation Notes

Install this faucet following the installation instructions provided.



Product Diagram