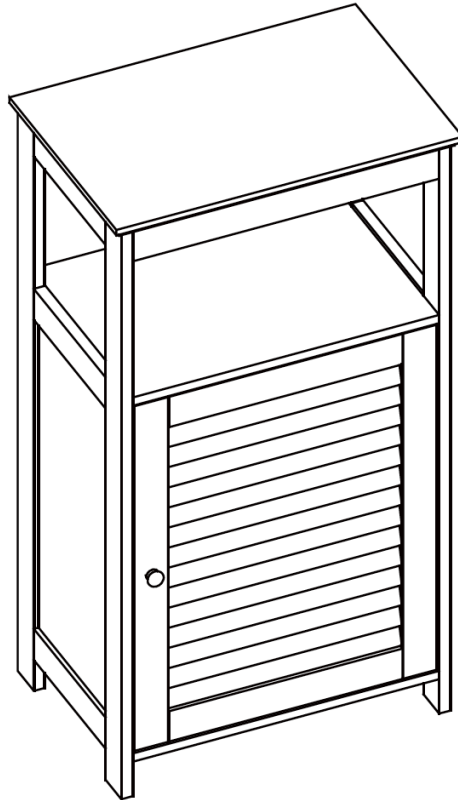




## ASSEMBLY INSTRUCTIONS



### RiverRidge® Ellsworth Single Door Floor Cabinet

ITEM #: 06-029 White

ITEM #: 06-030 Espresso

#### **ADULT ASSEMBLY REQUIRED**

This product requires assembly by an adult because of small parts. Care should be taken in unpacking and assembling this item to keep small parts away from children. During assembly children should be kept away from the product due to possible risk of injury.

#### **WARNING** **SEE FULL WARNING ON PAGE 2**

Young children can be seriously injured or killed if furniture tips over. Don't use this item for a TV stand or place heavy objects on top of item. Always use angle-braces or anchors to secure furniture to the wall.

THIS SHELF UNIT WILL HOLD UP TO 25 POUNDS PER SHELF OR A TOTAL OF 75 POUNDS. DO NOT LOAD EACH SHELF WITH MORE THAN 25 POUNDS OR 75 POUNDS TOTAL WEIGHT. OVERLOADING MAY CAUSE DAMAGE TO THE SHELF AND MAY CAUSE SERIOUS INJURY OR DEATH.

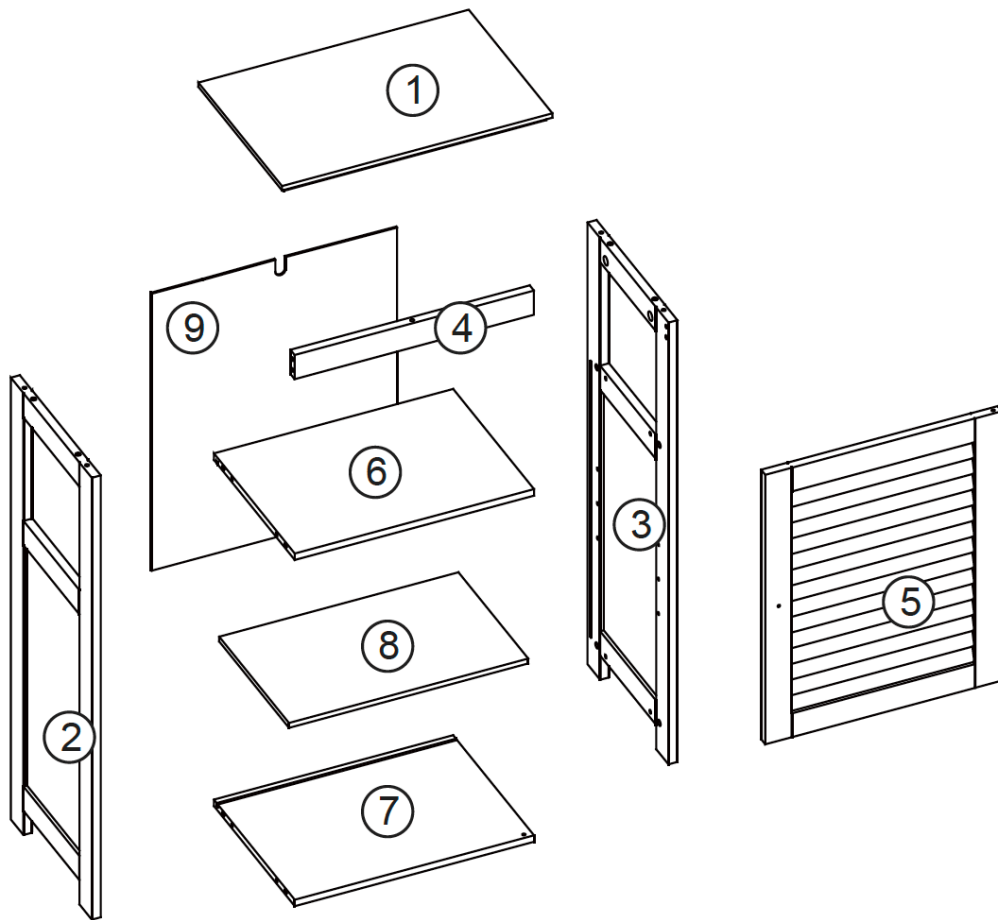


# **WARNING**

**SERIOUS OR FATAL INJURIES CAN OCCUR FROM FURNITURE TIP-OVER. TO HELP PREVENT TIP-OVER:**

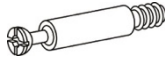




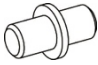





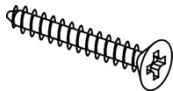



- **Always use tip over restraints and/or wall anchors to secure furniture to the wall**
- **Place heaviest items in the lowest drawers/bins or shelves**
- **Do not set TV's or other heavy objects on the top of this product**
- **Never allow children to climb or hang on to the drawers/bins, doors or shelves of furniture**
- **Never open more than one drawer at a time or defeat or remove any drawer interlock system**

# PARTS LIST



NO	QTY	DESCRIPTION
1	1PC	Top Board
2	1PC	Left Side Panel
3	1PC	Right Side Panel
4	1PC	Cross Bar
5	1PC	Door
6	1PC	Middle Panel
7	1PC	Bottom Board
8	1PC	Shelf
9	1PC	Back Board

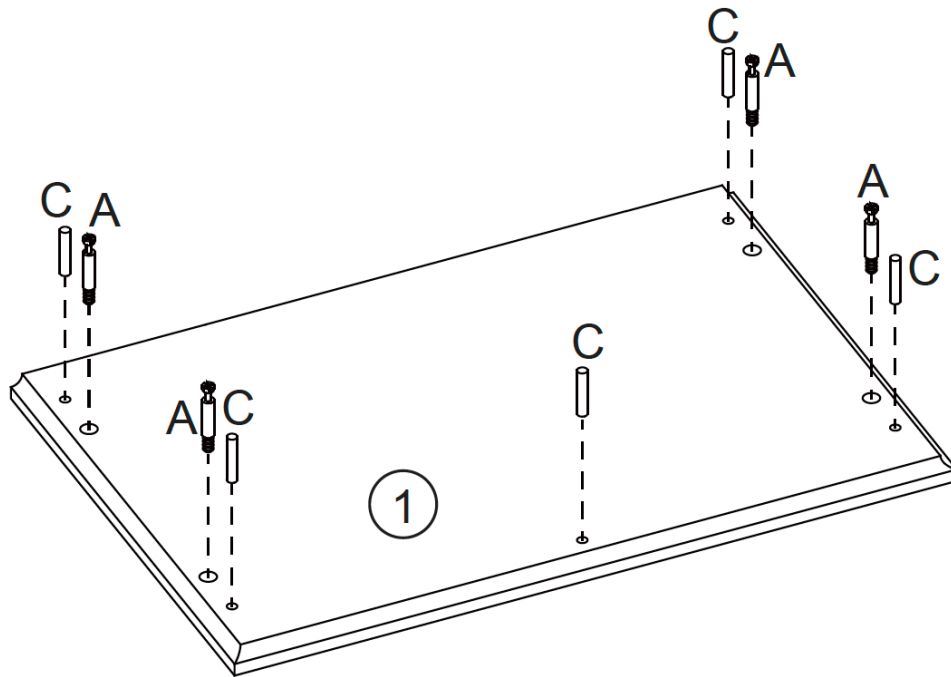
# PARTS LIST

NO	PARTS	QTY	DESCRIPTION
A		12PCS	Cam Bolt
B		12PCS	Cam Lock
C		17PCS	Wood Dowel
D		1PC	Knob
E		1PC	Machine Screw (4x18mm)
F		4PCS	Shelf Holder
G		2PCS	Metal Pin
H		1PC	Magnet
J		1PC	Magnet Plate
K		1PC	Screw (3x10mm)
M		2PCS	Screw (3x14mm)
N		1PC	Screw (4x30mm)
P		1PC	Plastic Anchor
Q		1PC	Adjustable Anchor Bracket
R		1PC	Screw (4x10mm)

**TOOLS NEEDED FOR ASSEMBLY: FLAT & PHILLIPS SCREWDRIVER (NOT INCLUDED)  
THE USE OF A POWER SCREWDRIVER IS NOT RECOMMENDED FOR ASSEMBLY  
DO NOT USE ITEM IF ANY PARTS ARE MISSING OR DAMAGED**

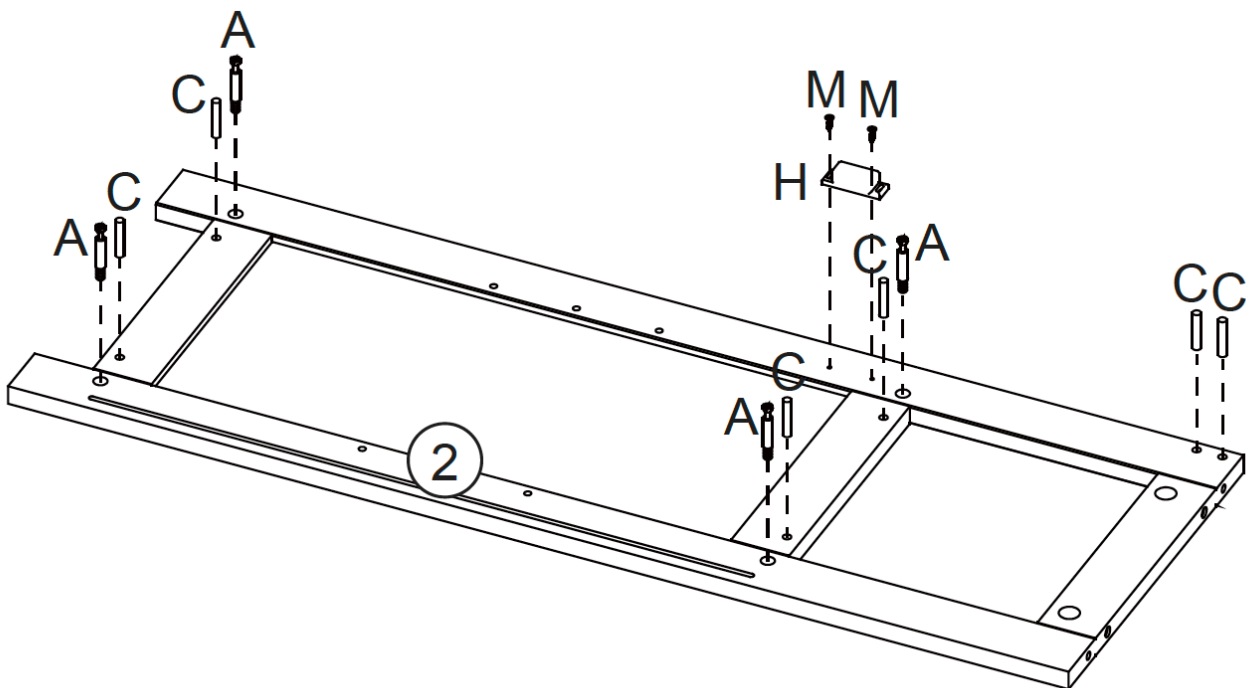
To order replacement parts at no cost to you, email [customer.service@ssi-rr.com](mailto:customer.service@ssi-rr.com), call 1-(844)-223-5201 or order parts online at [www.riverridgehome.com](http://www.riverridgehome.com). Only valid in the United States. If purchased outside of the United States, please contact retailer where purchased.

## STEP 1



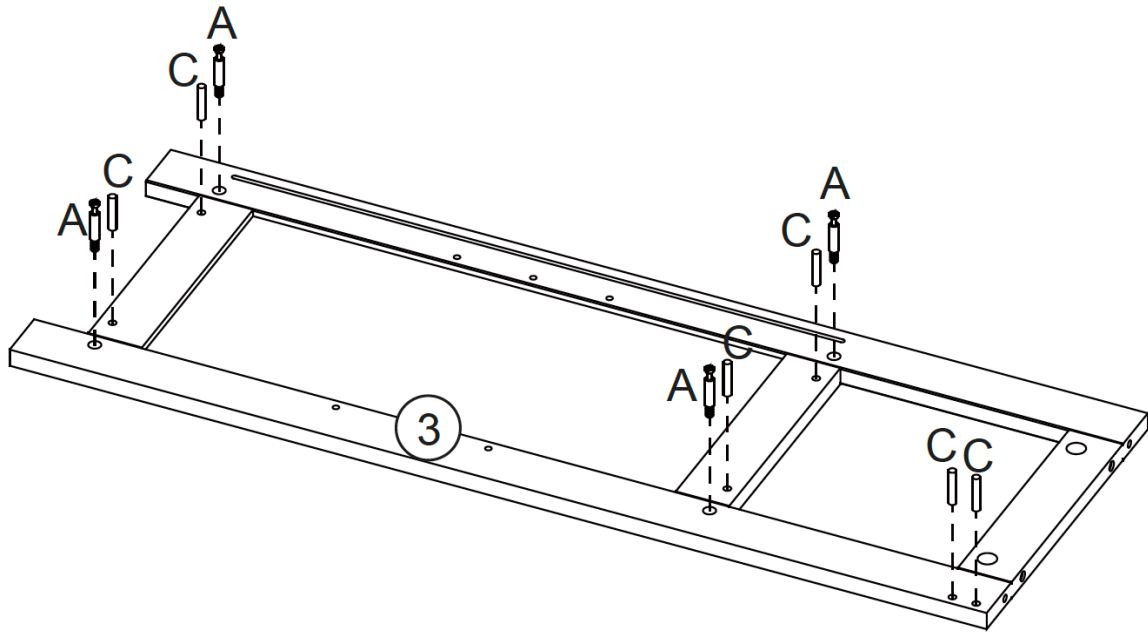
1. Screw 4 cam bolts (A) into cam bolt holes on top board (1).
2. Insert 5 wood dowels (C) into dowel holes on top board (1).

## STEP 2



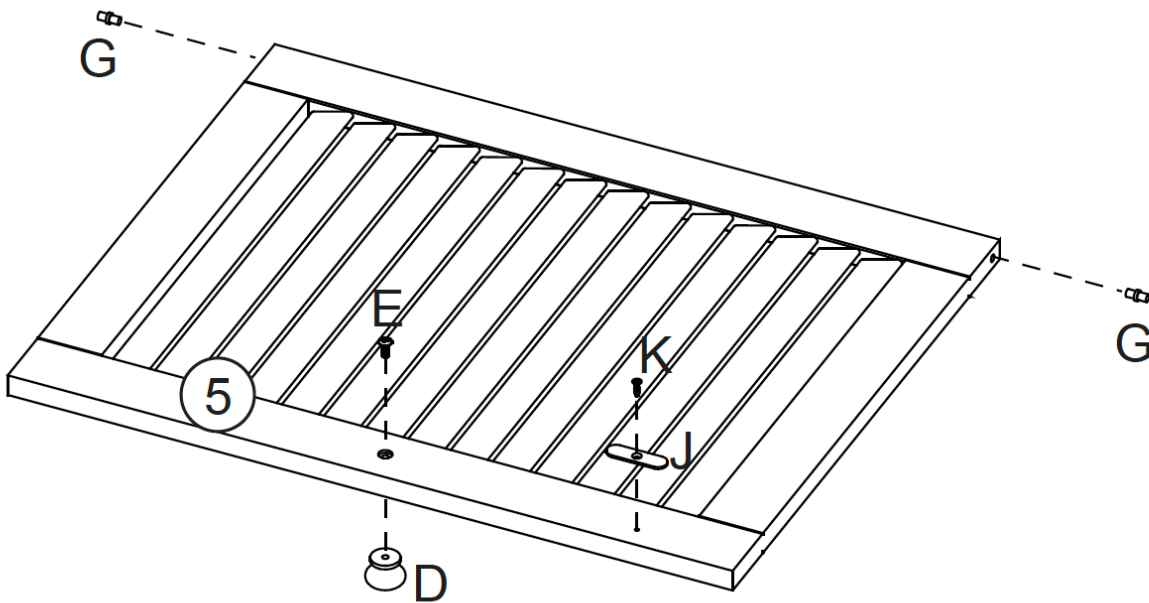
1. Screw 4 cam bolts (A) into cam bolt holes on left side panel (2).
2. Insert 6 wood dowels (C) into dowel holes on left side panel (2).
3. Attach magnet (H) to left side panel (2) by inserting 2 screws (M) through holes on magnet (H) and tighten to left side panel (2).

## STEP 3



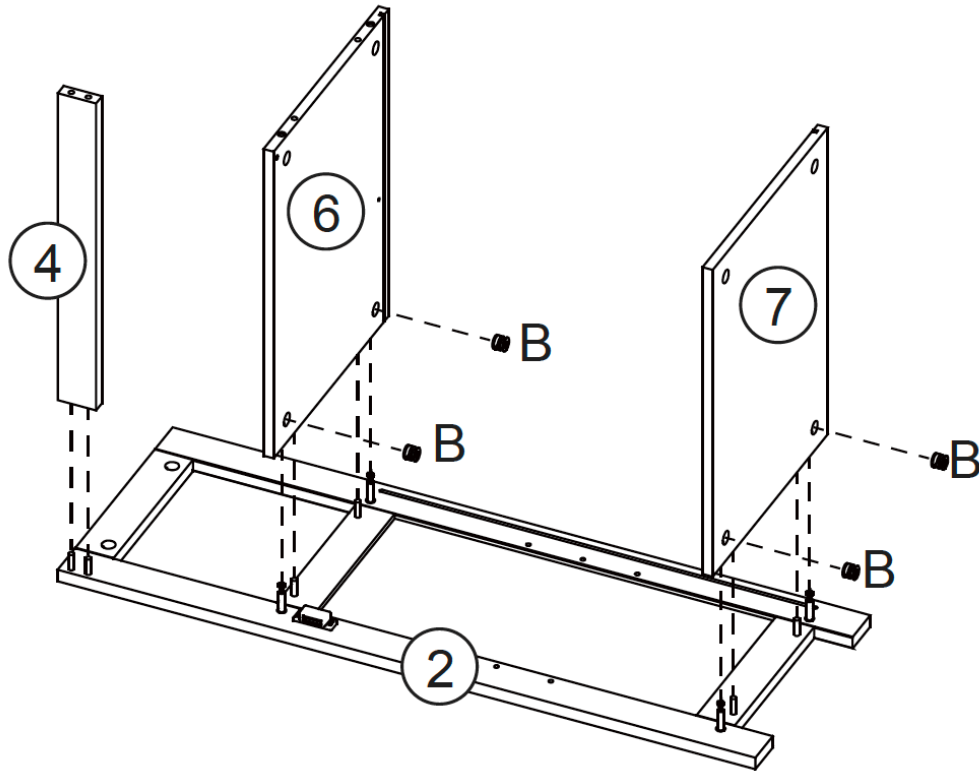
1. Screw 4 cam bolts (A) into cam bolt holes on right side panel (3).
2. Insert 6 wood dowels (C) into dowel holes on right side panel (3).

## STEP 4



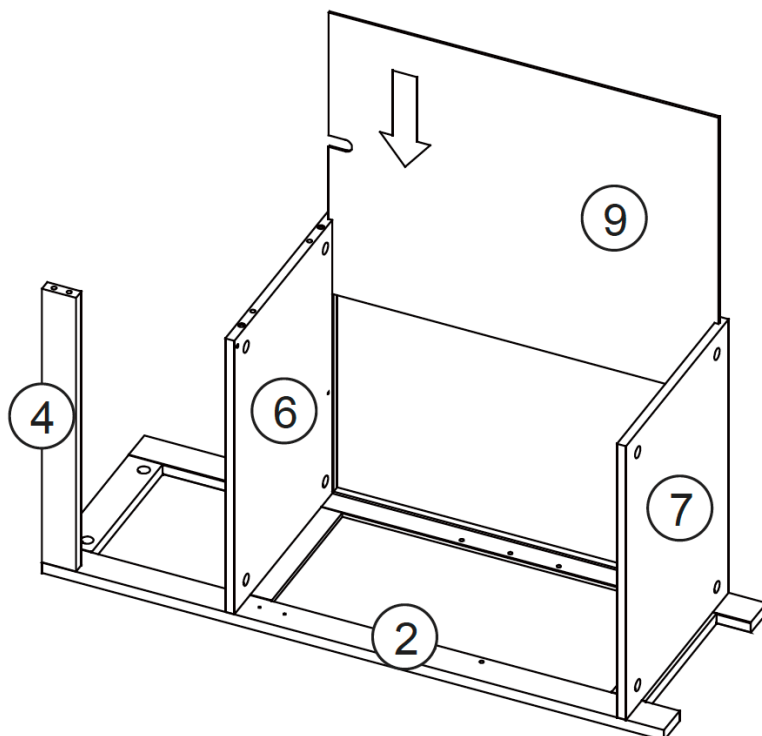
1. Insert 1 screw (K) through hole on magnet plate (J) and tighten to door (5).
2. Attach knob (D) to door (5) by inserting 1 screw (E) through hole on door (5) and tighten to knob (D).
3. Insert 2 door pins (G) into holes on each end of door (5).

## STEP 5



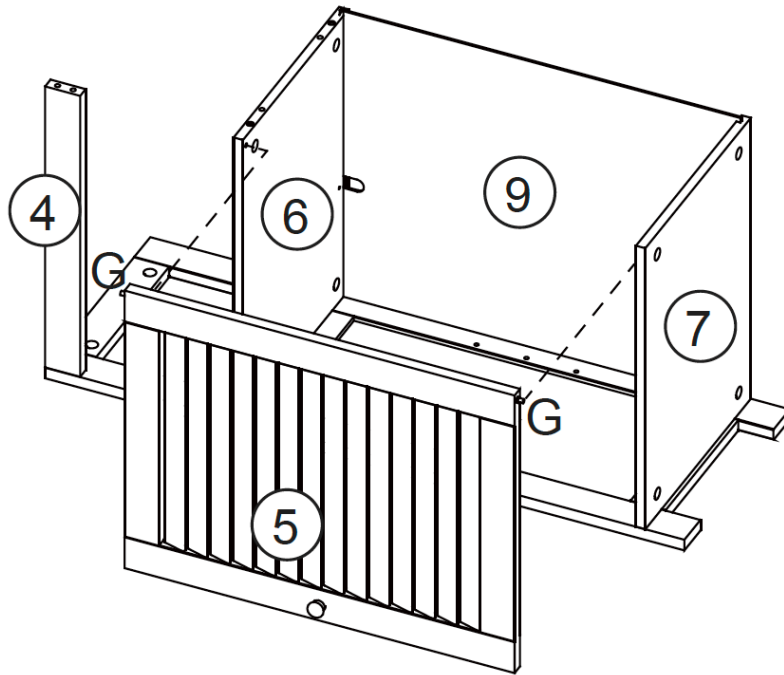
1. Attach cross bar (4), middle panel (6) and bottom board (7) to left side panel (2) by inserting cam bolts into cam lock holes and inserting wood dowels into dowel holes on cross bar (4), middle panel (6) and bottom board (7).
2. Insert 4 cam locks (B) into cam lock holes on middle panel (6) and bottom board (7) and rotate clockwise to secure cam bolts.

## STEP 6



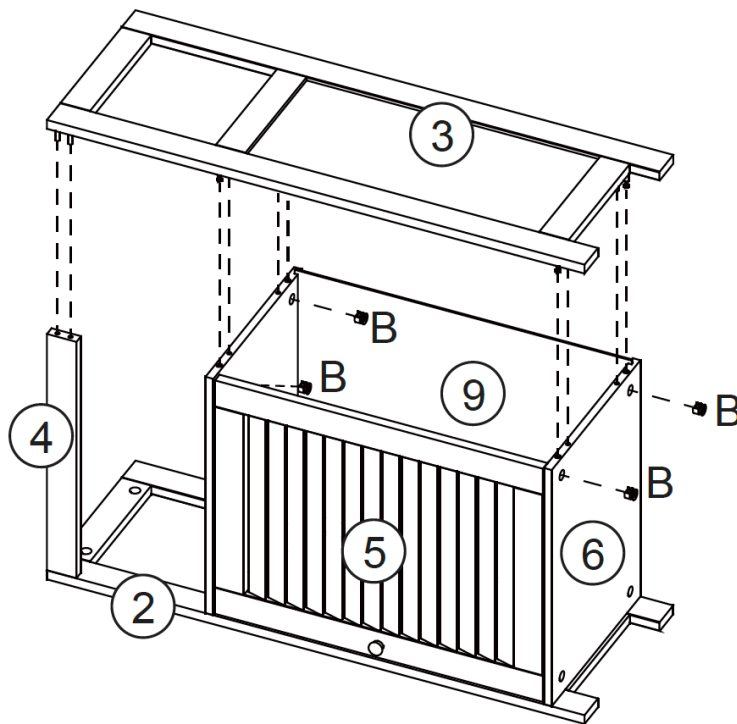
1. Slide back board (9) into grooves on left side panel (2), middle panel (6) and bottom board (7).

## STEP 7



1. Attach door (5) to middle panel (6) and bottom board (7) by inserting door pins (G) into holes on middle panel (6) and bottom board (7).

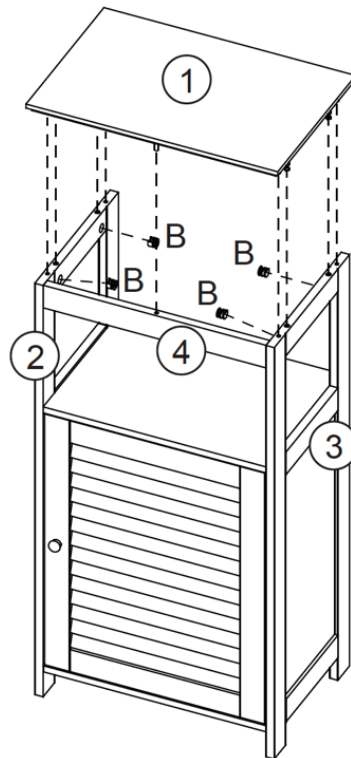
## STEP 8



1. Attach right side panel (3) to cross bar (4), middle panel (6) and bottom board (7) by inserting cam bolts into cam lock holes and inserting wood dowels into dowel holes on cross bar (4), middle panel (6) and bottom board (7).
2. Insert 4 cam locks (B) into cam lock holes on middle panel (6) and bottom board (7) and rotate clockwise to secure cam bolts.

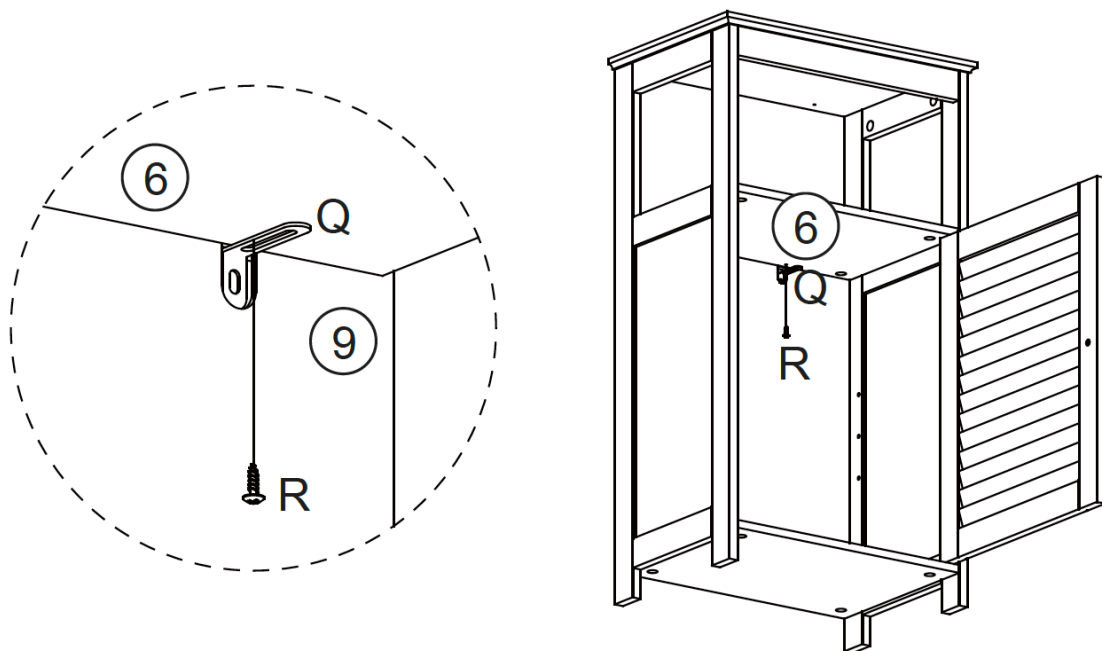


## STEP 9



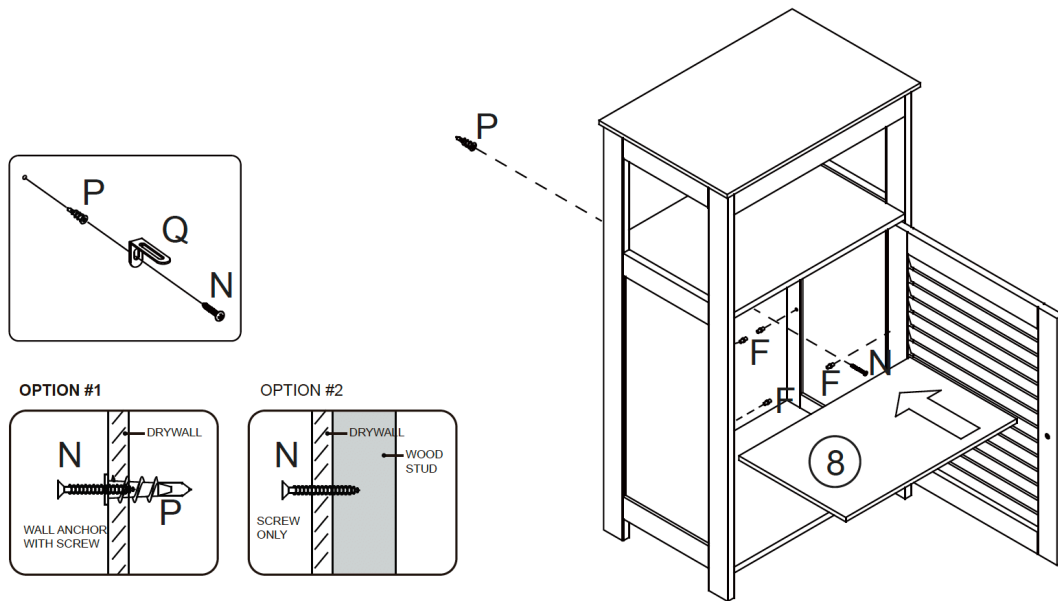
1. Attach top board (1) to both side panels (2), (3) and cross bar (4) by inserting cam bolts into cam lock holes and inserting wood dowels into dowel holes on both side panels (2), (3) and cross bar (4).
2. Insert 4 cam locks (B) into cam lock holes on both side panels (2), (3) and rotate clockwise to secure cam bolts.

## STEP 10



1. Insert 1 screw (R) through hole on adjustable anchor bracket (Q), then tighten to middle panel (6).

# STEP 11



1. Insert 4 shelf holders (F) into desired positions and put shelf (8) onto shelf holders (F).

## Option #1: Securing to Drywall

1. Position cabinet against wall in desired location. Using a pencil, make small mark on wall through hole on bracket (Q). Move cabinet away from wall and screw 1 plastic anchor (P) into wall on pencil mark.
2. Place cabinet against wall, insert 1 screw (N) through hole on bracket (Q), then tighten to plastic anchor (P).

## Option #2: Securing to Drywall and Wood Stud

1. Place cabinet against wall in desired location. Insert 1 screw (N) through hole on bracket (Q), then tighten through drywall and into wood stud.

\*Tip: Anchor bracket (Q) can be adjusted to correct distance from wall to cabinet as needed. Once adjusted, be sure to re-tighten bracket inside cabinet for stability.

**ATTENTION ADULTS:** Cabinet should be checked periodically for damage or loose screws/parts. Take appropriate action necessary to correct hazards such as tightening of screws and taking any damaged parts away from children.

**WARNING**  Please make sure your item is secured to the wall, per assembly instructions.

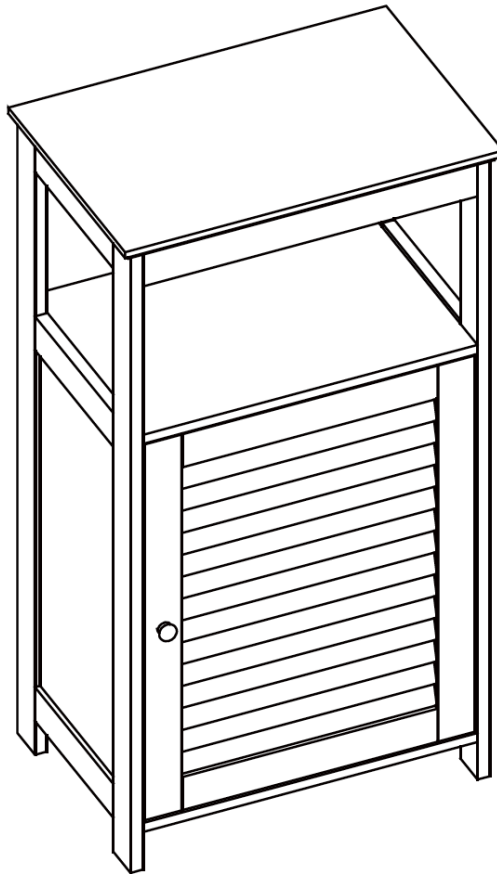
### CARE INSTRUCTIONS:

Wipe clean with a water dampened cloth. Wipe dry with clean cloth.

### IMPORTANT:

**Keep assembly instructions for future reference.**

## Enjoy your new RiverRidge® Cabinet!



Thank you for purchasing this RiverRidge® Home item. We hope you enjoy it and consider purchasing other RiverRidge® items.

To order replacement parts at no cost to you, email [customer.service@ssi-rr.com](mailto:customer.service@ssi-rr.com), call 1-(844)-223-5201 or order parts online at [www.riverridgehome.com](http://www.riverridgehome.com). Only valid in the United States. If purchased outside of the United States, please contact retailer where purchased.



RiverRidge® is a registered trademark of Sourcing Solutions, Inc., Hudson, WI 54016